

# Safety Recall

## N242453720 Loose Front Seat Belt Buckle Bolt



**Release Date:** October 2024

**Revision:** 01

**Revision Description:** This bulletin is being revised to add the customer letter. Please discard all previous copies of N242453720.

**Attention:** It is a violation of Federal law for a dealer to deliver a new motor vehicle or any new or used item of motor vehicle equipment (including a tire) covered by this notification under a sale or lease until the defect or noncompliance is remedied.

All involved vehicles that are in dealer inventory must be held and not delivered to customers, dealer traded, or used for demonstration purposes until the repair contained in this bulletin has been performed on the vehicle.

Make	Model	Model Year		RPO	Description
		From	To		
Chevrolet	Colorado	2023	2024		
GMC	Canyon	2023	2023		

Involved vehicles are marked "Open" on the Investigate Vehicle History screen in GM Global Warranty Management system. This site should always be checked to confirm vehicle involvement prior to beginning any required inspections and/or repairs.

<b>Condition</b>	General Motors has decided that a defect which relates to motor vehicle safety may exist in certain 2023 - 2024 model year Chevrolet Colorado and 2023 model year GMC Canyon vehicles. These vehicles may contain a left or right front seat that has a seat belt buckle attachment bolt that may not have been tightened to specification by the seat supplier. If the bolt is not tightened to specification, the affected front seat belt may not perform as intended in certain crash conditions, increasing the risk of injury.
<b>Correction</b>	Dealers will tighten left and right front seat belt buckle attachment bolts to the specified torque.

### Parts

No parts are required for this repair.

### Warranty Information

Labor Operation	Description	Labor Time	Trans. Type	Net Item
9107628	Torque both LH and RH Front Seat Belt Buckle Fastener	0.5	ZFAT	N/A

### Service Procedure



6732319

1. Fold Up Both the LH and RH Rear Seat Cushion.

## Safety Recall

### N242453720 Loose Front Seat Belt Buckle Bolt



6160519

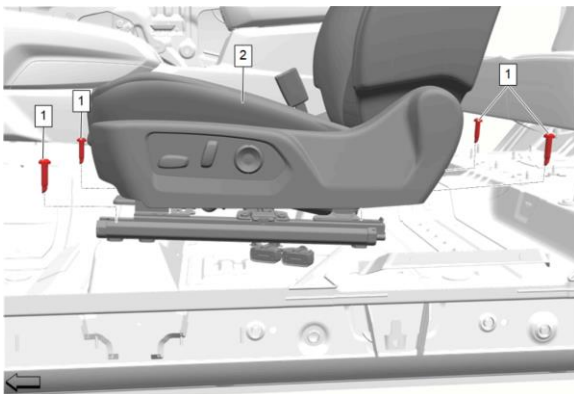
**Note:** Removal of the Front Seats from the vehicle is NOT necessary for this repair.

2. Remove the four LH Front Seat Fasteners (1) and move the seat (2) rearward.



6732324

3. Torque the LH Front Seat Belt Buckle Fastener to 45 N•m (33 lb ft).



6160519

4. Reposition the LH Front Seat. Torque the Front Seat Fasteners to 45 N•m (33 lb ft).

## Safety Recall

### N242453720 Loose Front Seat Belt Buckle Bolt



6160519

**Note:** Removal of the Front Seats from the vehicle is NOT necessary for this repair.

**Note:** Left side shown, right side similar.

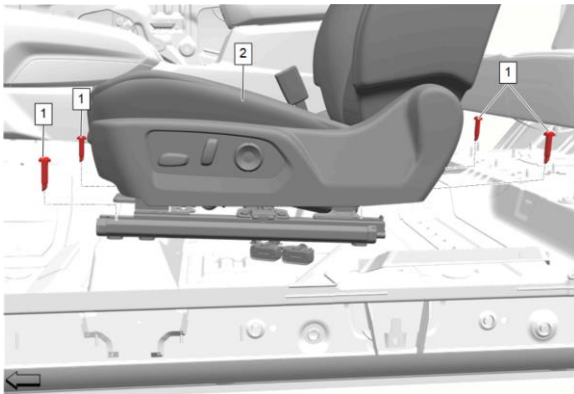
5. Remove the four RH Front Seat Fasteners (1) and move the seat (2) rearward.



6732324

**Note:** Left side shown, right side similar.

6. Torque the RH Front Seat Belt Buckle Fastener to 45 N•m (33 lb ft).



6160519

**Note:** Left side shown, right side similar.

7. Reposition the RH Front Seat. Torque the Front Seat Fasteners to 45 N•m (33 lb ft).
8. Return the LH and RH Front Seats to their original positions.
9. Return the Rear Seat Cushions back to their original position.

# Safety Recall

## N242453720 Loose Front Seat Belt Buckle Bolt



### **Dealer Responsibility – For USA & Export (USA States, Territories, and Possessions)**

It is a violation of Federal law for a dealer to deliver a new motor vehicle or any new or used item of motor vehicle equipment (including a tire) covered by this notification under a sale or lease until the defect or noncompliance is remedied.

The US National Traffic and Motor Vehicle Safety Act provides that each vehicle that is subject to a recall of this type must be adequately repaired within a reasonable time after the customer has tendered it for repair. A failure to repair within sixty days after tender of a vehicle is prima facie evidence of failure to repair within a reasonable time. If the condition is not adequately repaired within a reasonable time, the customer may be entitled to an identical or reasonably equivalent vehicle at no charge or to a refund of the purchase price less a reasonable allowance for depreciation. To avoid having to provide these burdensome remedies, every effort must be made to promptly schedule an appointment with each customer and to repair their vehicle as soon as possible. In the recall notification letters, customers are told how to contact the US National Highway Traffic Safety Administration if the recall is not completed within a reasonable time.

### **Dealer Responsibility – All**

All new, used, GM Certified Pre-Owned (CPO), courtesy transportation vehicles, dealer shuttle vehicles, CarBravo, etc. in dealers' possession and subject to this recall must be held and inspected/repaired per the service procedure of this bulletin before customers take possession of these vehicles. Involved vehicles must be held and not delivered to customers, dealer-traded, released to auction, used for demonstration, or any other purpose.

All GM Certified Pre-Owned (CPO) vehicles currently in the dealers' inventory within the SHIFT Digital system will be de-certified and must be held and remedied per the service procedure in this bulletin. Upon submitting an accepted/paid warranty transaction in the Global Warranty Management (GWM) system, the vehicle can be re-certified for sale within the SHIFT Digital system, or once again be used in the Courtesy Transportation Program.

Dealers are to service all vehicles subject to this recall at no charge to customers, regardless of mileage, age of vehicle, or ownership, from this time forward.

Customers who have recently purchased vehicles sold from your vehicle inventory, and for which there is no customer information indicated on the dealer listing, are to be contacted by the dealer. Arrangements are to be made to make the required correction according to the instructions contained in this bulletin. A copy of the customer letter is provided in this bulletin for your use in contacting customers. Recall follow-up cards should not be used for this purpose, since the customer may not as yet have received the notification letter.

In summary, whenever a vehicle subject to this recall enters your vehicle inventory you must take the steps necessary to ensure the program correction has been made before selling the vehicle. In addition, for vehicles entering your facility for service, you are required to ensure the customer is aware of the open recall and make every reasonable effort to implement the program correction as set forth in this bulletin prior to releasing the vehicle.

### **Dealer Reports – For USA & Export**

For dealers with involved vehicles, a listing has been prepared and will be available through GM GlobalConnect Maxis Field Action Reports or sent directly to export dealers. The Inventory tab of the dealer reports will contain VINs that apply to this recall. This information is intended to assist dealers with the **PROMPT COMPLETION** of these vehicles. The Customer In-Service tab will contain customer names and addresses from Motor Vehicle Registration Records. The use of such motor vehicle registration data for any purpose other than follow-up necessary to complete this recall may be a violation of law in several states.

### **Courtesy Transportation – For USA & Canada**

Courtesy transportation is available for customers whose vehicles are involved in a product program and still within the warranty coverage period. See General Motors Service Policies and Procedures Manual for courtesy transportation program details.

# Safety Recall

## N242453720 Loose Front Seat Belt Buckle Bolt



### Customer Notification

USA & Canada - General Motors will notify customers of this recall on their vehicle (see copy of sample customer letter included with this bulletin).

Export - Letters will be sent to known owners of record located within areas covered by the US National Traffic and Motor Vehicle Safety Act. For owners outside these areas, dealers should notify customers using the attached sample letter.

---

GM bulletins are intended for use by professional technicians, NOT a "do-it-yourselfer". They are written to inform these technicians of conditions that may occur on some vehicles, or to provide information that could assist in the proper service of a vehicle. Properly trained technicians have the tools, equipment, safety instructions, and know-how to do a job properly and safely. If a condition is described, **DO NOT** assume that the bulletin applies to your vehicle, or that your vehicle will have that condition. See your dealer for information on whether your vehicle may benefit from the information.



**We Support  
Voluntary Technician  
Certification**



# IMPORTANT SAFETY RECALL

This notice applies to your vehicle, **VIN:** \_\_\_\_\_

Dear General Motors Customer:

This notice is sent to you in accordance with the National Traffic and Motor Vehicle Safety Act.

General Motors has decided that a defect, which relates to motor vehicle safety, exists in certain 2023 - 2024 model year Chevrolet Colorado and 2023 model year GMC Canyon vehicles. As a result, GM is conducting a safety recall. We apologize for this inconvenience. However, we are concerned about your safety and continued satisfaction with our products.

## IMPORTANT

- Your vehicle is involved in GM recall N242453720.
- Schedule an appointment with your GM dealer.
- This service will be performed for you at **no charge**.

**Why is your vehicle being recalled?**

These vehicles may contain a left or right front seat that has a seat belt buckle attachment bolt that may not have been tightened to specification by the seat supplier. If the bolt is not tightened to specification, the affected front seat belt may not perform as intended in certain crash conditions, increasing the risk of injury.

**What will we do?**

Your GM dealer will tighten left and right front seat belt buckle attachment bolts to the specified torque. This service will be performed for you at **no charge**. Because of service scheduling requirements, it is likely that your dealer will need your vehicle longer than the actual service correction time of approximately 45 minutes.

**What should you do?**

You should contact your GM dealer to arrange a service appointment as soon as possible.

**Do you have questions?**

If you have any questions or concerns that your dealer is unable to resolve, please contact the appropriate Customer Assistance Center at the number listed below.

For the hearing or speech impaired, please contact our Customer Assistance Center using the Telecommunication Relay Service by dialing 711 then providing the appropriate Customer Assistance Center number for your vehicle.

Division	Number
Chevrolet	1-800-222-1020
GMC	1-800-462-8782
Puerto Rico – English	1-866-467-9700
Puerto Rico – Español	1-866-467-9700
Virgin Islands	1-866-467-9700

If after contacting your dealer and the Customer Assistance Center, you are still not satisfied we have done our best to remedy this condition without charge and within a reasonable time, you may wish to write the Administrator, National Highway Traffic Safety Administration, 1200 New Jersey Avenue, SE, Washington, DC 20590, or call the toll-free Vehicle Safety Hotline at 1.888.327.4236 (TTY 1.800.424.9153), or go to <http://www.nhtsa.gov>. The National Highway Traffic Safety Administration Campaign ID Number for this recall is 24V703.

Federal regulation requires that any vehicle lessor receiving this recall notice must forward a copy of this notice to the lessee within ten days.

## Safety Recall

N242453720 Loose Front Seat Belt Buckle Bolt



Regina A. Carto  
Vice President  
Global Product Safety and Systems

GM Recall: N242453720