

REFERENCE:	Nova Bus Manuals
SECTION:	12: Interior Furnishing
RS N°:	MQR 7621-2869
EFFECTIVE IN PROD.:	N/A
TC RECALL N°:	N/A
NHTSA RECALL N°:	24V-564

APPLICATION DEADLINES: N/A
CLAIM REFERENCE NUMBER: SR5633

SUBJECT:	Driver's Door Glazing
JUSTIFICATION:	The driver's door plastic glazing is not compliant with FMVSS 205.

LEVEL	DESCRIPTION	DIRECT CHARGES		TIME
		LABOUR	MATERIAL	
1	Replace the driver's door glazing and install a new speaker.	Nova Bus	Nova Bus	45 min
2	-	-	-	-

MATERIAL REQUIRED PER VEHICLE

QTY	PART N°	REV.	DESCRIPTION
LEVEL 1			
1	N101483	-	Window Polycarb W/Speaker Hole
1	N73706	A	Support Speaker Hole Driver Door
1	N73707	A	Support Speaker Driver Door TTC
4	N73718	A	Screw 10-24 x 5/16" Truss CR SS
4	N73719	A	Screw Barrel 10-24 x 1/4" Truss
4	N87068	A	Washer flat 1/4IDx1/2OD Rubber
4	N8951758	-	Clamp Screws SS M5 x 15 (Spare, if needed)
LEVEL 2			
-	-	-	-

Materials will be available within 37 days once your order has been placed.

To order, please contact novabus.parts@volvo.com

Or by phone for CANADA 1-800-771-6682, for USA 1-877-999-8808

Specify document number, quantity of parts required and shipping address.

DISPOSAL OF PARTS

REMOVED PARTS ARE:	DISCARDED *	RETAINED	* Dispose of the unused parts and the defective parts in accordance with local environmental standards in effect.
	Yes	-	

REVISION HISTORY

REV.	DATE	CHANGE DESCRIPTION	WRITTEN BY
NR	2024OC10	Initial release	Annie St-Jacques

APPROVED BY:

Jose David
Montoya

NQF705003 VERSION 5

Signature numérique de Jose David
Montoya
Date : 2024.10.10 11:34:44 -04'00'

CLIENT	ORDER	ROAD NUMBER		VIN (2NVY/4RKY...)		QTY
		FROM	TO	FROM	TO	
Rochester New York - RTS	LB76	1901	1901			1

**WARNING**

FOLLOW YOUR INTERNAL SAFETY PROCEDURES.

**NOTE**

This procedure covers different configurations, yours might differ.

**NOTE**

Keep all parts and hardware for later reinstallation unless otherwise specified.
Identify all parts and hardware with their location when removing them.
Clean and inspect all reusable parts upon reinstallation.

PROCEDURE

- 1.1. Park the vehicle on an even surface with the transmission on neutral.
- 1.2. Apply the parking brake and set the master control switch to the **stop** position.
- 1.3. On the inside of the driver's door, for each of the 7 clamps, unscrew the 2 screws to release the window (Figure 1). Remove only the first part of the clamp. Discard the glass, keep the clamps and screws. **Note:**
 - **Support the window so it doesn't fall out during removal.**
 - **Do not remove the second part of the clamp or modify the adjustment.**
 - **Take care not to lose the rubber gaskets inside the clamps.**
- 1.4. Install the new N101483 door window on the clamps with the removed screws. Apply medium strength threadlocker Loctite 243 or equivalent to the screws and tighten. Note: keep the protective film on the window during installation.
- 1.5. Install the new speak-through supports with the 4 screws, 4 shoulder screws and 4 flat washers in rubber on the window. Tighten the 4 screws to 22 lb-in (2.5 N•m). **Note: overtightening will damage the speak-through supports.**
- 1.6. Remove the protective film from the window. Clean window with appropriate product.
- 1.7. The vehicle can be returned to service. ❖

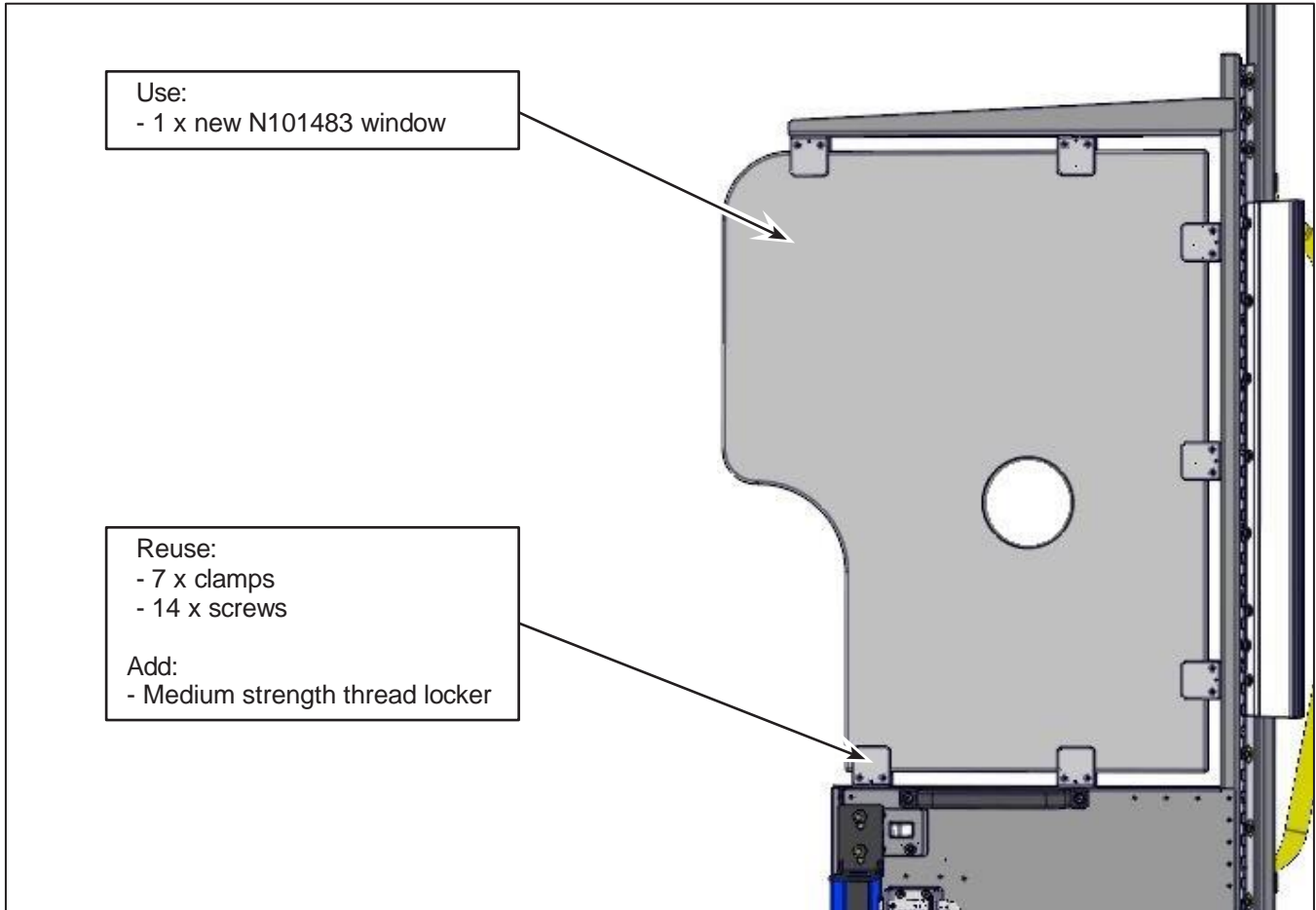


Figure 1 - Driver's Door Window Replacement

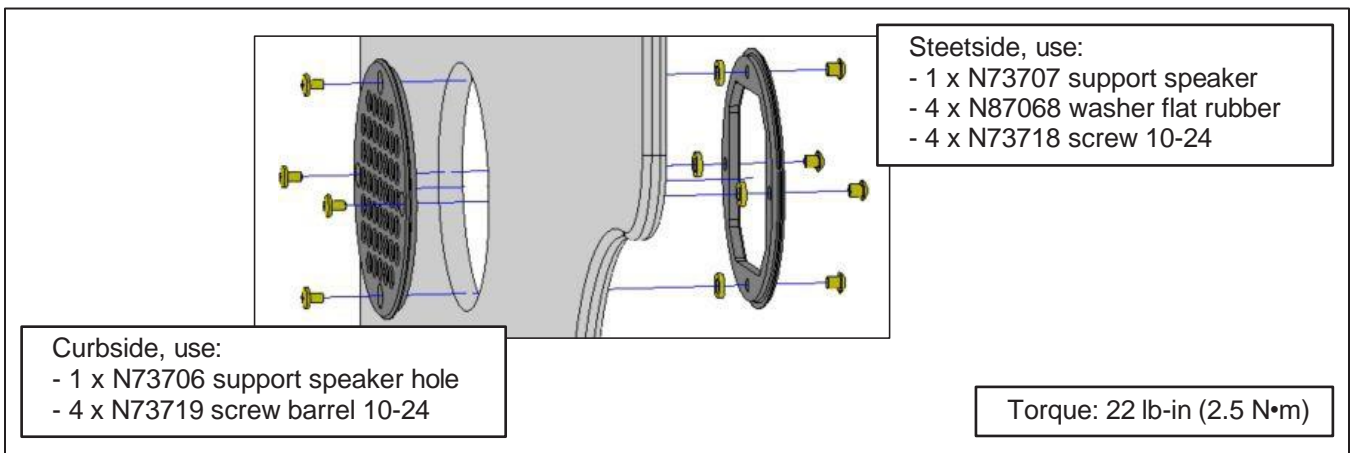


Figure 2 - Speak-Through Installation