



Thor Motor Coach Recall Repair Instructions

Recall #	24V-426 2024-418		
Description/Title:	Heat Shield		
Affected Product Line(s):	Certain 2024 & 2025 Indigo & Luminate		
Service Campaign # :	RC000306		
Repair Code:	Inspect with Repair: TMCRC10116V	Released Date:	7/22/2024
Time Allowed:	Inspect with Repair: 0.5	Document Revision:	A

Issue:

It has been discovered that on certain model year 2024-2025 Indigo & Luminate motorhomes, a heat shield is missing between the LP tank and chassis muffler. A heat shield was not properly installed in between the LP tank and chassis muffler during production. There is a potential risk for a fire and/or property damage, which could result in personal injury or death.

Tools:

- Drill
- 5/16” drill bit
- 1/4” wrench
- 1/4” socket/ratchet

Parts:

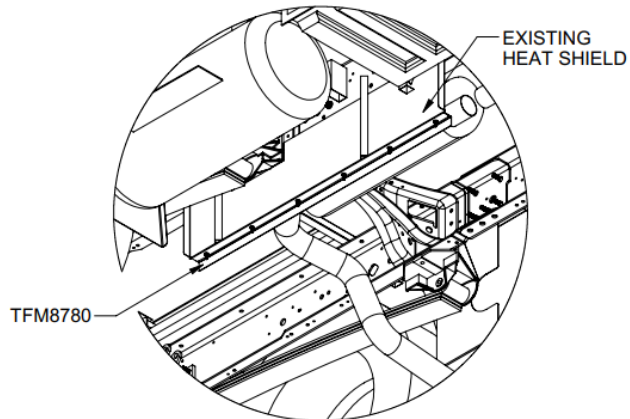
TMC part # **0565358**



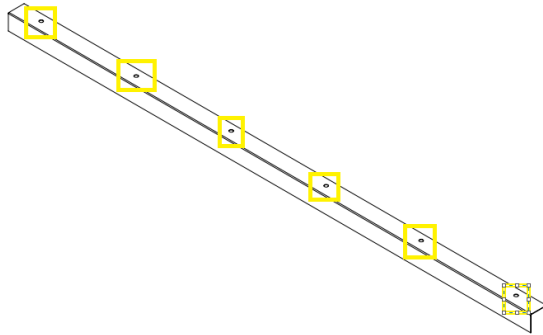
Thor Motor Coach Recall Repair Instructions

Instructions:

1. Place TFM8780 on top of the existing heat shield and hold in place.



2. Drill 6 -5/16" holes into the existing heat shield using the TFM8780 pattern.



3. Bolt the heat shields using 1/4" 20x1" hex bolt and nut with lock washer.