

# SAFETY RECALL

**Mack Trucks Inc.**

Greensboro, NC USA



---

Release Date	Number	Release	Page
07.2024	<b>SC0464</b>	<b>01</b>	<b>1(3)</b>

## MD Electric Battery Management System

### RECALL INFORMATION

Mack Trucks has determined that certain 2023 and 2024 model year MD Electric vehicles with the current Battery Management System software may result in a sudden loss of power during a perceived overcharged condition. The sudden loss of motive power and steering may result in an increased risk of a crash. Owners have been notified and strongly recommended not to drive their vehicles until recall repairs have been completed.

To ensure that these vehicles meet Mack's stringent quality requirements, the BMS software will be updated by a Sea Electric representative at your dealer location.

### VEHICLES AFFECTED

Certain Mack MD Battery Electric Vehicles manufactured between June 22, 2023, and December 12, 2023.

### VEHICLE QUANTITY

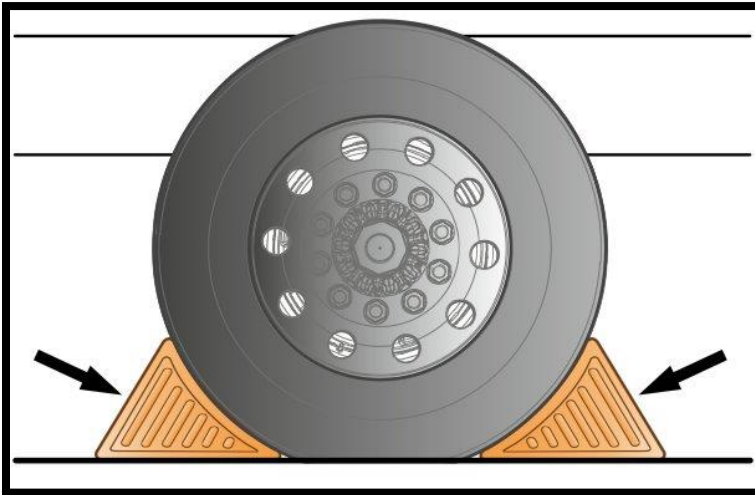
There are 24 vehicles affected by this recall. (ALL US)

## Scheduling

Your dealership will be contacted by a Mack Trucks representative to schedule a date for a Mack and Sea Electric representative to be on site to complete the needed software updates.

## Repair Instructions

1. Park vehicle on level surface.
2. Apply parking brake.
3. Place the transmission in park or neutral.
4. Turn off ignition.
5. Install the wheel chocks.



6. The SEA representative will perform all needed programming updates. Please assist as needed.
7. Once the program update is complete, the truck can return to service.

**REIMBURSEMENT**

<b>This repair is covered by an authorized Safety Recall. Reimbursement is obtained through the normal claim handling process.</b>	
	<b>UCHP Reimbursement</b>
<b>Claim Type</b> (used only when uploading from the Dealer Business System)	40
<b>Recall Status</b>	
Vehicle repaired per instructions	1-Modified per instructions
<b>Labor Codes</b>	
1720-16-09-01 Campaign, General 0.1x3	0.3
<b>Causal Part</b>	22352661
<b>Authorization Number</b>	C0381

**Note:** Dealers are to perform Safety Recalls on all subject vehicles at no charge to the vehicle owner regardless of mileage, age of vehicle or ownership (original purchaser or subsequent purchasers). Whenever vehicles are subject to a Safety Recall are brought to your dealership for service, or taken into your dealership vehicle inventory, it is strongly recommended that every effort be made to perform the recall correction before the vehicle is sold or released to the owner.