

# SAFETY RECALL

Mack Trucks Inc.  
Greensboro, NC USA



Date	Number	Release	Page
06.2024	SC0465	04	1(5)

## Steering Draglink AN, GR, TE

**Corrected part number 25190683. Previous number was typed incorrectly 25190638.**

### RECALL INFORMATION

Revised June 14<sup>th</sup>, 2024

Mack Trucks has determined that certain model year 2025 AN, GR, and TE may have been built with draglinks containing a ball stud with improper heat treatment. This could result in loss of steering.

Mack Trucks has not received warranty claims, field reports, or service reports because of this issue.

To ensure that these vehicles meet Mack's rigorous quality requirements, follow the instructions outlined below to inspect and/or repair the draglink as necessary.

### VEHICLES AFFECTED

Certain Mack vehicles manufactured between April 10<sup>th</sup>, 2024, and May 24<sup>th</sup>, 2024.

### VEHICLE QUANTITY

There are 1080 vehicles affected by this recall. (860 U.S., 147 CAN., 73 export)

**Parts**

**Parts**

Order parts through normal process as needed.

**NOTE: Draglink part number DID NOT change. If draglink replacement is required, replace with same part number as what was removed.**

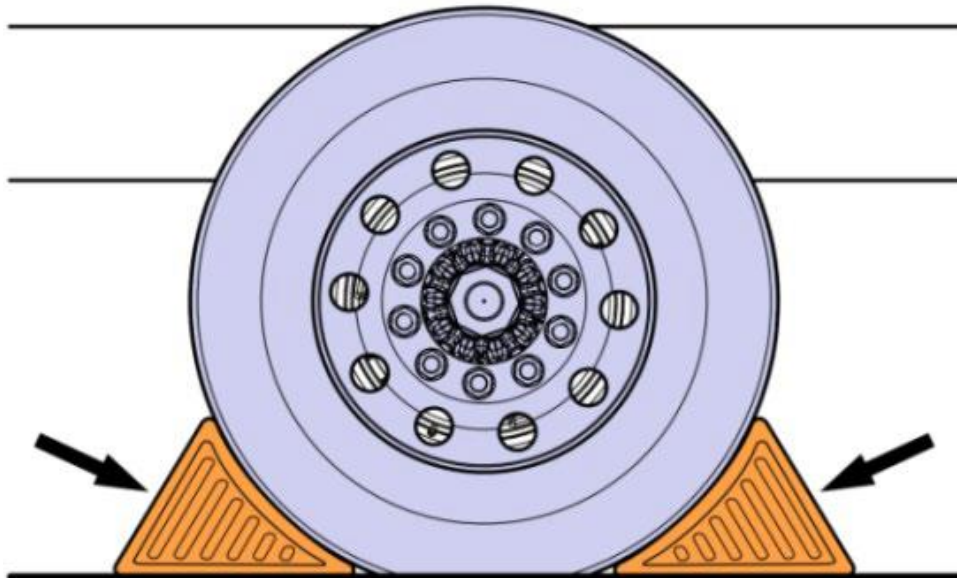
**IMPORTANT NOTE:**

- Replacement parts within suspect build date:
  - You may receive a replacement part that is within the suspect build date. Ensure this part has a QC Approval tag attached.
  - If there is no tag, do not install. Contact [campaign@volvo.com](mailto:campaign@volvo.com)
- Replacement parts outside suspect build date:
  - There will be no tag on these parts.
  - OK to install following normal procedures.

Part Number	Part description	Quantity
VIN per Impact	Drag Link	As Needed

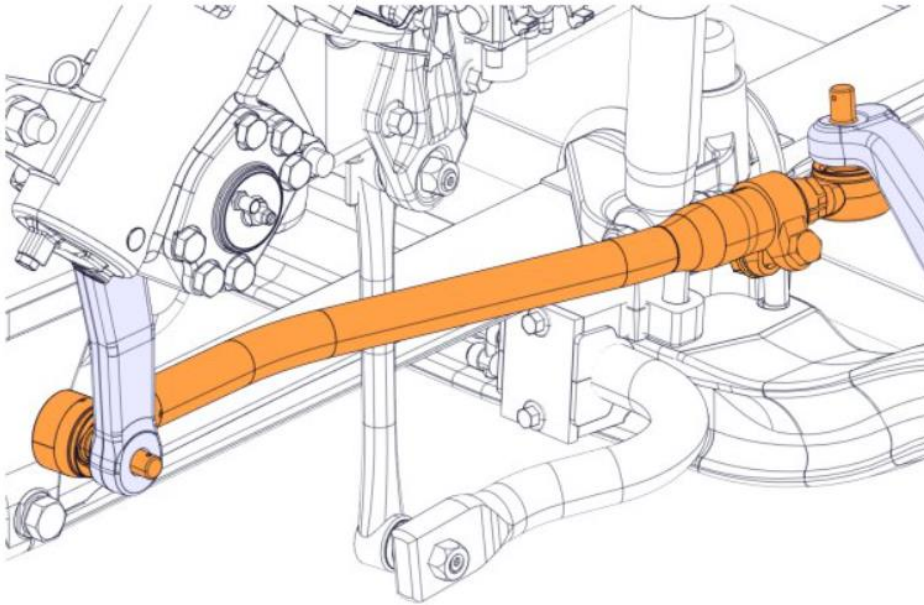
**Repair Instructions**

1. Secure vehicle for service by parking on a flat and level surface.
2. Apply parking brake.
3. Place the transmission in neutral or park.
4. Install the wheel chocks.

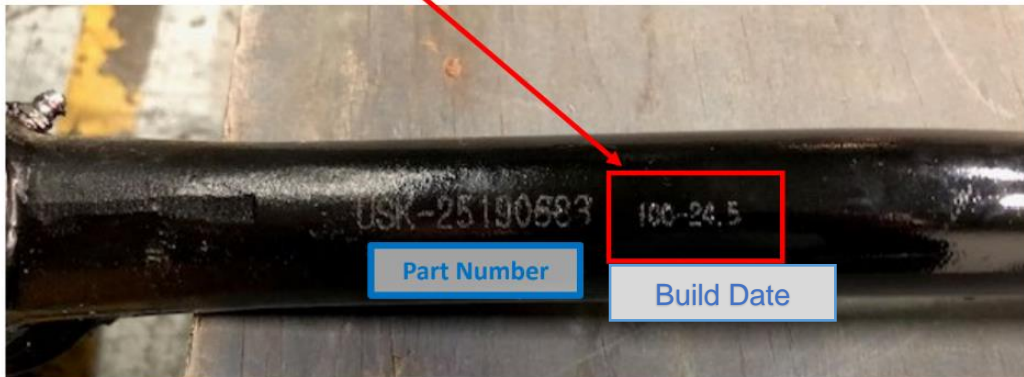


5. Identify the draglink assembly connecting the steering lever and the pitman arm.

**NOTE: Some trucks may have dual draglinks depending on configuration.**



6. Locate the part number stamped or etched on the draglink.



7. Verify the part number on the draglink to the reference part number in the table below. Confirm whether the part number and build date match or not.
  - a. If the build date matches to the dates on the table, the draglink is NOK and must be replaced with a new one. Proceed to step 8.
  - b. If the build date is not on the table, the draglink is OK and the truck can be returned to service.

**IMPORTANT NOTE:**

Please inspect the draglink for the following part numbers and their respective build dates. IF the date matches one from the list below, the draglink **MUST** be replaced. IF the date does not match, the truck is considered OK and can return to service.

**NOTE: VERIFY PART USING FIRST 5 DIGITS (ex. 100-24). ANY DIGIT AFTER DOES NOT MATTER.** If part number is not on the list or if further assistance is needed locating part number or build date, contact the campaign team at [campaign@volvo.com](mailto:campaign@volvo.com)

Part Number	NOK Suspect Build Date
85128559	100-24
	101-24
	104-24
	106-24
	107-24
	108-24
	116-24
	117-24
	120-24
	121-24
20966804	124-24
	100-24
	110-24
	114-24
	117-24
	122-24
25190682	125-24
	127-24
	101-24
	102-24
25190683	117-24
	111-24
	116-24
21129355	102-24
	109-24
	113-24
22834992	103-24
	110-24
22595406	102-24
23032385	101-24
	114-24
23032389	100-24
23626616	106-24
	108-24
	114-24
	117-24
23685511	103-24
	106-24
24540119	106-24
20966803	106-24
22607488	109-24
22660547	110-24

8. If draglink needs to be replaced, follow **Impact Procedure 6438-03-02-01 Link Rod, Replacement.**

**REIMBURSEMENT**

**IMPORTANT NOTE:**

Due to the nature of the Do Not Drive Recall, towing or technician travel may be considered on a case-by-case basis.

This repair is covered by an authorized Safety Recall. Reimbursement is obtained through the normal claim handling process.	
	<b>UHP Reimbursement</b>
<b>Claim Type</b> (used only when uploading from the Dealer Business System)	40
<b>Recall Status</b>	
Vehicle repaired per instructions	1-Modified per instructions
<b>Primary Labor Code</b>	
Primary Labor Code: <b>1720-16-09-01</b> Campaign, General X 3	SRT (0.1 x 3) <b>.3 hrs.</b>
<b>If needed:</b>	
<b>6438-03-02-01</b> Link Rod, Replacement X 1	Will vary by VIN
<b>Causal Part</b>	23685511
<b>Authorization Number</b>	C0382

**Note:** Dealers or the designated representatives are to perform Safety Recall on all subject vehicles at no charge to the vehicle owner regardless of mileage, age of vehicle or ownership (original purchaser or subsequent purchasers). Whenever vehicles that are subject to a Safety Recall are brought to your dealership for service, it is strongly recommended that every effort be made to perform the recall correction before the vehicle is released to the owner.