

SAFETY RECALL

Volvo Trucks North America

Greensboro, NC USA

VOLVO

Date	Number	Release	Page
06. 2024	RVXX2402	05	1 (5)

Steering Draglink VN, VNE, VHD

Added 137-24 NOK Suspect Build Date to part number 21129355.

RECALL INFORMATION

Revised July 3rd, 2024

Volvo Trucks has determined that certain model year 2025 VHD, VN, and VNE model vehicles may have been built with draglinks containing a ball stud with improper heat treatment. This could result in loss of steering.

Volvo Trucks has not received warranty claims, field reports, or service reports because of this issue.

To ensure that these vehicles meet Volvo's rigorous quality requirements, follow the instructions outlined below to inspect and/or replace the draglink as necessary.

VEHICLES AFFECTED

Certain Volvo North America vehicles manufactured between April 10th, 2024, and June 7th, 2024.

VEHICLE QUANTITY

There are 4013 vehicles affected by this recall (3501 U.S., 512 Canada)

Parts

Order parts through normal process as needed.

NOTE: Draglink part number DID NOT change. If draglink replacement is required, replace with same part number as what was removed.

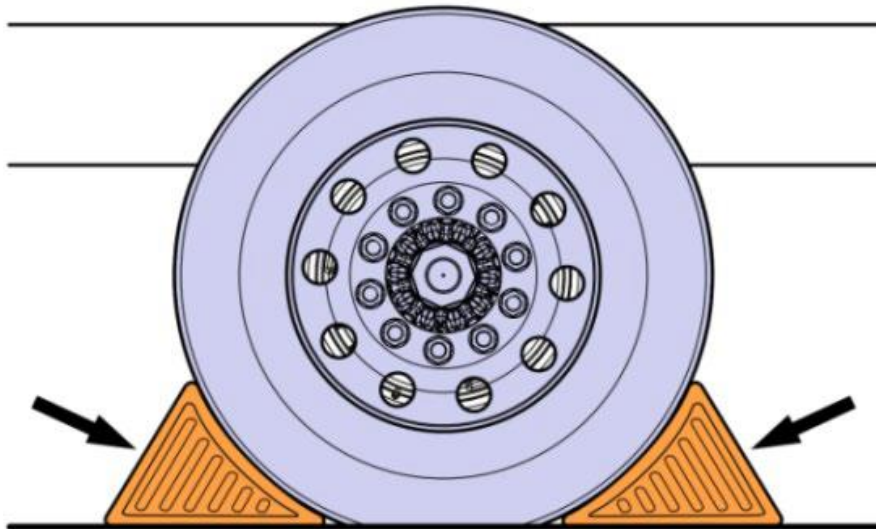
IMPORTANT NOTE:

- Replacement parts within suspect build date:
 - You may receive a replacement part that is within the suspect build date. Ensure this part has a QC Approval tag attached.
 - If there is no tag, do not install. Contact campaign@volvo.com
- Replacement parts outside suspect build date:
 - There will be no tag on these parts.
 - OK to install following normal procedures.

Part Number	Part description	Quantity
VIN per Impact	Drag Link	As Needed

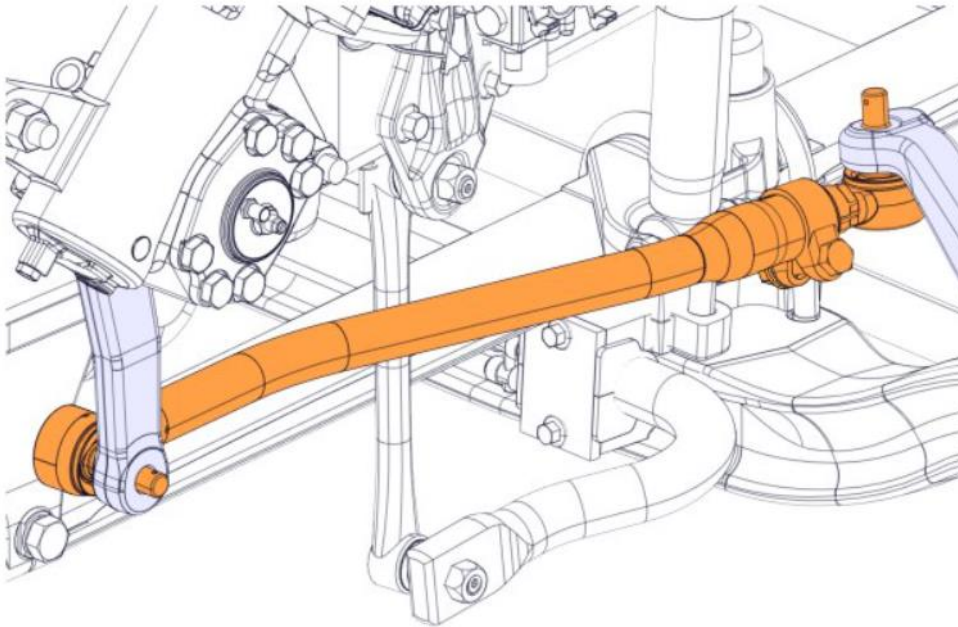
Repair Instructions

1. Secure vehicle for service by parking on a flat and level surface.
2. Apply parking brake.
3. Place the transmission in neutral or park.
4. Install the wheel chocks.

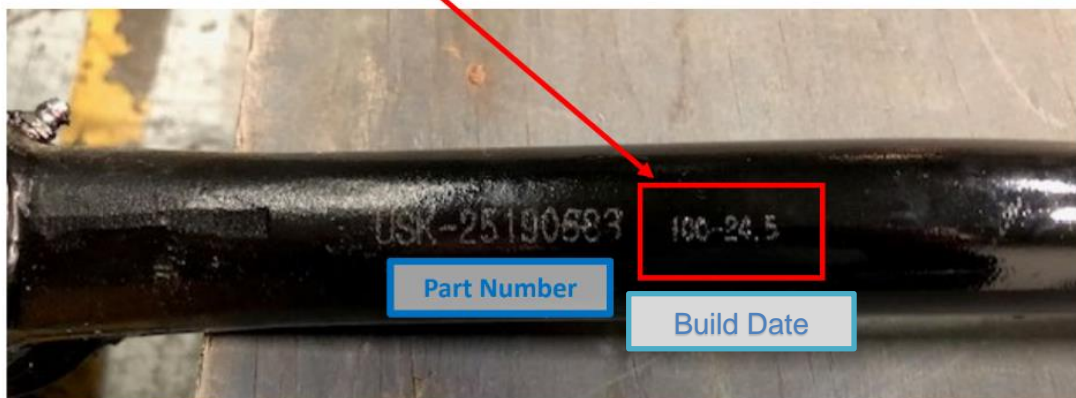


5. Identify the draglink assembly connecting the steering lever and the pitman arm.

NOTE: Some trucks may have dual draglinks depending on configuration.



6. Locate the part number stamped or etched on the draglink.



7. Verify the part number on the draglink to the reference part number in the table below. Confirm whether the part number and build date match or not.
 - a. If the build date matches to the dates on the table, the draglink is NOK and must be replaced with a new one. Proceed to step 8.
 - b. If the build date is not on the table, the draglink is OK and the truck can be returned to service

IMPORTANT NOTE:

Please inspect the draglink for the following part numbers and their respective build dates. IF the date matches one from the list below, the draglink MUST be replaced. IF the date does not match, the truck is considered OK and can return to service.

NOTE: VERIFY PART USING FIRST 5 DIGITS (ex. 100-24). ANY DIGIT AFTER DOES NOT MATTER. If part number is not on the list or if further assistance is needed locating part number or build date, contact the campaign team at campaign@volvo.com.

Part Number	NOK Suspect Build Date
85128559	100-24
	101-24
	104-24
	106-24
	107-24
	108-24
	116-24
	117-24
	120-24
	121-24
124-24	
20966804	100-24
	110-24
	114-24
	117-24
	122-24
	125-24
127-24	
25190682	101-24
	102-24
	117-24
	118-24
25190683	100-24
	111-24
	116-24
21129355	102-24
	109-24
	113-24
	137-24
22834992	103-24
	110-24
22595406	102-24
23032385	101-24
	114-24
23032389	100-24
23626616	106-24
	108-24
	114-24
	117-24
23685511	103-24
	106-24
24540119	106-24
20966803	106-24
22607488	109-24
22660547	110-24

8. If draglink needs to be replaced, follow **Impact Procedure 6438-03-02-01 Link Rod, Replacement.**

REIMBURSEMENT

IMPORTANT NOTE:

Due to the nature of the Do Not Drive Recall, towing or technician travel may be considered on a case-by-case basis.

This repair is covered by an authorized Safety Recall. Reimbursement is obtained through the normal claim handling process.	
	UHP Reimbursement
Claim Type (used only when uploading from the Dealer Business System)	40
Recall Status	
Vehicle repaired per instructions	1-Modified per instructions
Primary Labor Code	
Primary Labor Code: 1720-16-09-01 Campaign, General X 3	SRT (0.1 x 3) .3 hrs.
If needed:	
6438-03-02-01 Link Rod, Replacement X 1	Will vary by VIN
Causal Part	23685511
Authorization Number	C0376

Note: Dealers or the designated representatives are to perform Safety Recall on all subject vehicles at no charge to the vehicle owner regardless of mileage, age of vehicle or ownership (original purchaser or subsequent purchasers). Whenever vehicles that are subject to a Safety Recall are brought to your dealership for service, it is strongly recommended that every effort be made to perform the recall correction before the vehicle is released to the owner.