

**Recall 24V352
Freedman Seat
Inspection/Repair**



631 West 11th Street • P.O. Box 310 • Winamac, IN 46996
(574) 946-4139 • 1-800-THE-LIFT • www.braunability.com

REV A

Applicable for Chrysler Pacifica/Voyager
Side Entries manufactured w/ a
Freedman GO-ES SpaceSaver Foldway
Seat

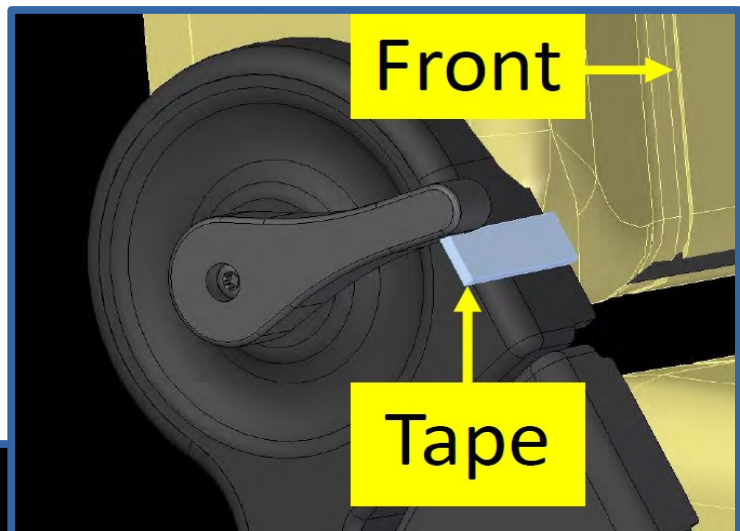
Read Instructions Before Beginning

Warranty Topic: Recall / 24V352 / Inspect
Labor 0.5

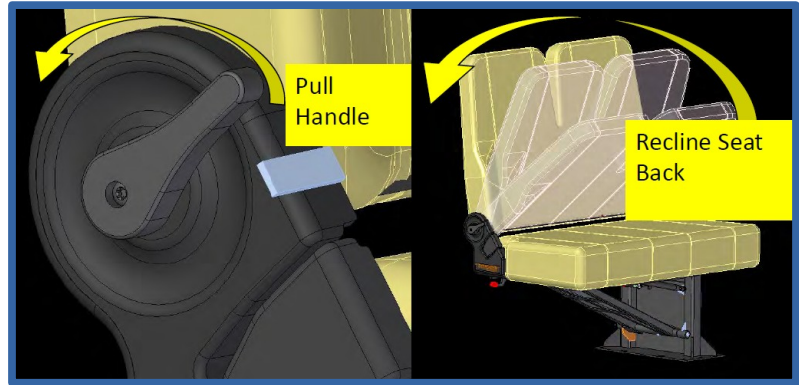
Warranty Topic: Recall / 24V352 / Repair
Labor 0.5

1. Bring seat back cushion from stowed position (seat back cushion is folded down against seat cushion) to first engagement point of the back lock (most upright position of the seat back cushion).

Add a piece of tape on the dump cover shroud so that it touches the handle.



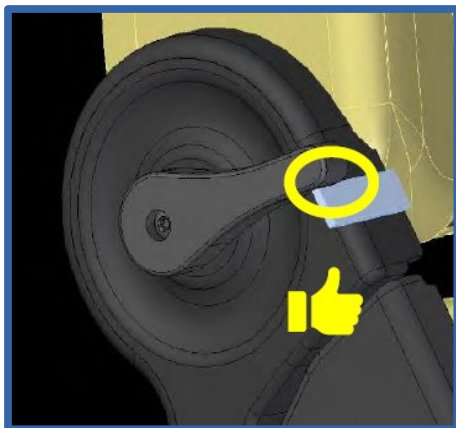
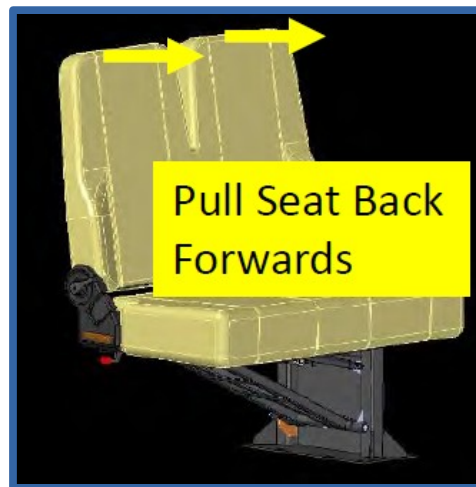
2. Pull the handle to release the seat back and actuate the back into the most reclined position.



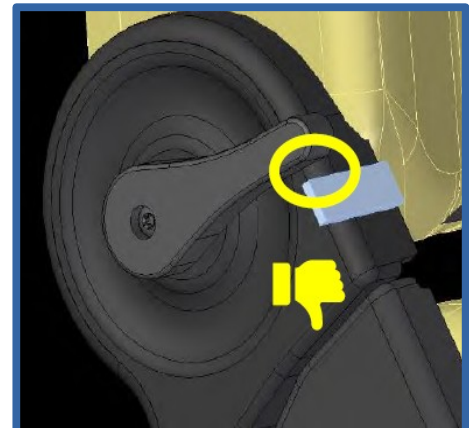
3. Release handle and pull seat back forward.

If handle returns back to original position, no additional work needed.

If handle does not return back to the original position then seat will need to be reworked.

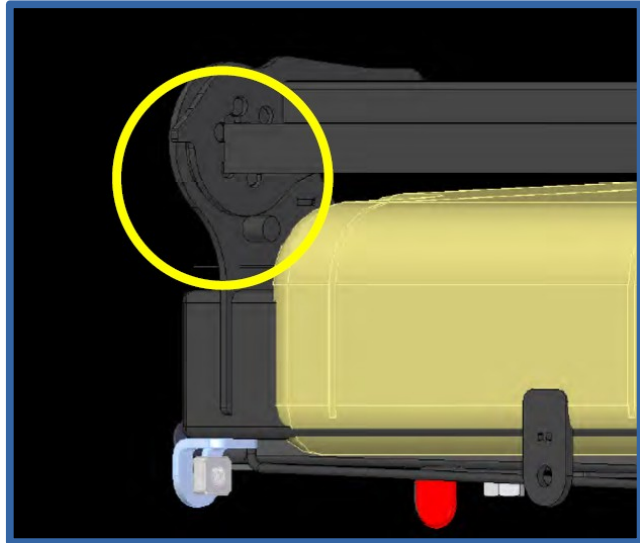


No Action Required

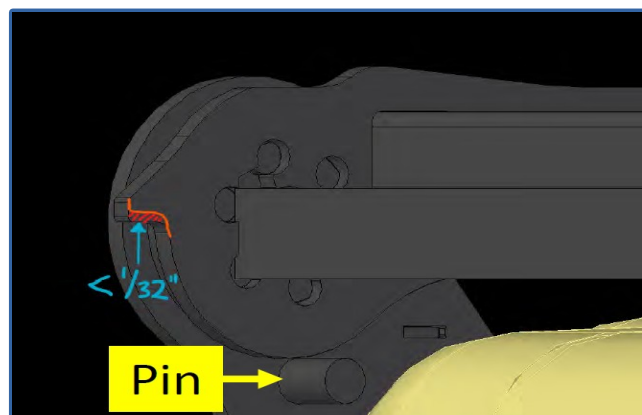


Proceed with Repair

4. Fold the seat back down to the cushion to expose the stop brackets.



5. On the stop bracket adjacent to pin, use a Dynafile or similar tool to grind off up to 1/32" off of the face of the stop.



6. Repeat step 3 to recheck and if necessary repeat steps 4-5 to get handle to appropriately lock.