

# SAFETY RECALL

Mack Trucks Inc.  
Greensboro, NC USA



---

Date	Number	Release	Page
04.2024	SC0461	01	1(5)

## Methane Detector Inoperative LR

### RECALL INFORMATION

(April 2024)

Mack Trucks has determined that certain 2024 to 2025 model year LR trucks equipped with a natural gas engine have a missing 10 Amp fuse for the Methane Detection System.

Mack Trucks has not received warranty claims, field reports, or service reports because of this issue.

To ensure that these vehicles meet Mack's stringent quality requirements, follow the instructions outlined below to install a 10 Amp fuse for the methane detection system and test the system functions properly.

### VEHICLES AFFECTED

Certain Mack LR vehicles manufactured between June 14, 2023, through February 20, 2024.

### VEHICLE QUANTITY

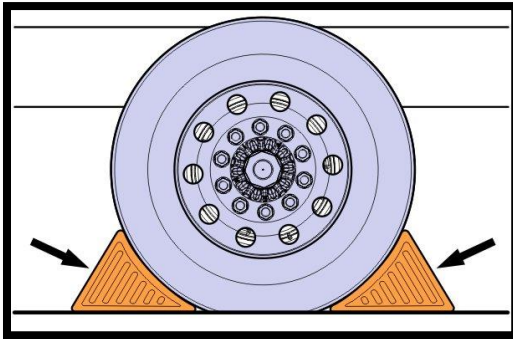
There are 137 vehicles affected by this recall. (106 US, 31 CAN)

**Parts**

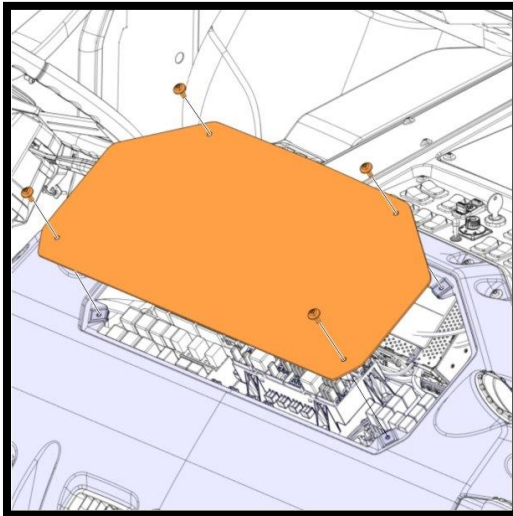
Part Number	Part Description	Quantity
20378934	10 Amp fuse	1

**Repair Instructions**

1. Secure Vehicle for Service.
2. Apply the parking brake.
3. Place the transmission in neutral or park.
4. Install the wheel chocks.



5. Remove the panel.



6. Locate slot F81 in the Fuse Relay Center.

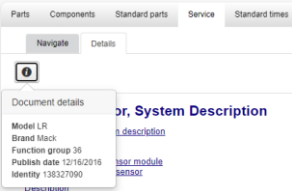


7. Install a 10 Amp fuse **20378934** in F81 of the FRC.
8. Once Fuse 81 is installed there should be a green OK light displayed on the screen.

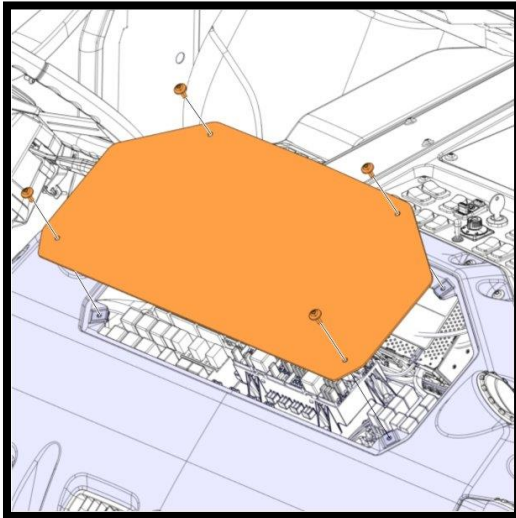


**Important note!**

- If you do not see a green OK on the display contact E-service for support.
- If further information is needed for testing the operation of the Methane Detector System, follow Impact Identity 138327090 (**Methane Detector, System Description**).

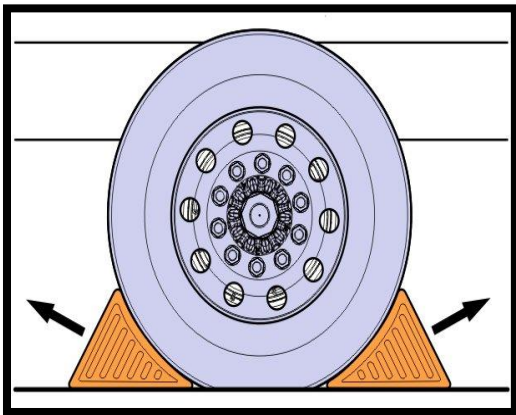


9. Install the panel.
10. Install the fasteners.
11. Install the cover.



Tightening torque	
Interior panel, screw	3.4 ±0.6 Nm (30 ±5 lb·in)

12. Remove the wheel chocks.



13. Release the vehicle to the customer.

**REIMBURSEMENT**

<p>This repair is covered by an authorized Safety Recall. Reimbursement is obtained through the normal claim handling process.</p>	
	<b>UCHP Reimbursement</b>
<b>Claim Type</b> (used only when uploading from the Dealer Business System)	40
<b>Recall Status</b>	
Vehicle repaired per instructions	1-Modified per instructions
<b>Labor Codes</b>	
<b>1720-16-09-01 Campaign, General (0.1 x 3)</b>	0.3
<b>Causal Part</b>	20378934
<b>Authorization Number</b>	C0362

**Note:** Dealers or the designated representatives are to perform Safety Recall on all subject vehicles at no charge to the vehicle owner regardless of mileage, age of vehicle or ownership (original purchaser or subsequent purchasers). Whenever vehicles that are subject to a Safety Recall are brought to your dealership for service, it is strongly recommended that every effort be made to perform the recall correction before the vehicle is released to the owner.