



Safety Recall Action Notice SB 617 Issue 1 - 02/2024

Subject: Front Fork Top Caps			
Bulletin Number	Models Affected	VIN Range	Markets Affected
617	Trident 660	Refer to Appendix A	All Markets
	Tiger Sport 660		

Background Information

Dealers are requested to check the supplier batch code on **both** front forks as described in the procedure below.

If the batch code is one of the following codes, 2D09, 2D23 or 2D02, dealers are requested to change the front fork top cap as described in the procedure below.

Customer Contact Instructions

NOTICE

STOP DELIVERY OF AFFECTED MOTORCYCLES IMMEDIATELY.

DO NOT deliver a motorcycle affected by this Safety Recall Action Notice to a customer until you have completed, or confirmed completion of, the procedures described in this Safety Recall Action Notice.

Delivering a motorcycle subject to an outstanding Safety Recall Action Notice may contravene local or national laws in your market, territory or country.

Triumph subsidiaries and distributors must instigate a Safety Recall Action in their country in accordance with the national recall code of practice. For vehicles in dealer stock, the safety recall **MUST** be actioned before delivery to the customer.

Dealers are to prioritise repair of customer owned motorcycles before any unsold motorcycles.

Identification of Affected Motorcycles

Trident 660 and Tiger Sport 660 motorcycles in the VIN range listed in Appendix A.

NOTICE

Some affected motorcycles listed in the VIN range will have been reworked by Triumph prior to their release from the factory.

Unmodified motorcycles can be identified by checking the 'VIN Enquiry' on www.triumphonline.net.

Warranty Claim Instructions

Bulletin Number	Fault Code	Repair Code	Description	Repair Allowance	Time
617	020403917	996171	Check supplier batch code only	0.15 Hrs	
		996172	Replace one front fork top cap	0.75 Hrs	
		996173	Replace both of the front forks top cap	1.25 Hrs	

Genuine Parts Information

Bulletin Number	Part Number	Description	Quantity
617	T2049551	Service Kit, Forks, Showa Consisting of: Top Cap - Qty 1 O-ring - Qty 1 Fork Oil	1

Parts Ordering Instructions

For Triumph Subsidiary and Overseas Distributor dealers using Triumph Warranty On-Line with Parts Auto Ordering Flag switched on: Order all repair parts by submitting a New Prior through the Warranty On-Line system. Entering the above repair code in a New Prior will automatically add the parts required and labour times for this Safety Recall Action Notice.

For Overseas Distributor dealers NOT using Triumph Warranty On-Line or for Overseas Distributor dealers using Triumph Warranty On-Line with Parts Auto Ordering Flag switched off: Orders should be placed using the normal parts ordering procedure.

Genuine Parts Return

Dealer to retain parts for 90 days. All parts must be stored in a secure, non-public accessed area and correctly identified with a completed warranty label. Thereafter the parts must be rendered unusable prior to scrapping.

Other Instructions

Once completed, please mark the Service Record Book that the requirements of this Safety Recall Action Notice have been complied with.

Before returning the motorcycle to the customer, download the latest calibration to the engine electronic control module, chassis electronic control module (if fitted), keyless electronic control module (if fitted) and instruments (if applicable) using the current version of the Triumph diagnostic software.

Supplier Batch Code - Check

WARNING

Make sure the motorcycle is stabilised and adequately supported.

Do not support the motorcycle on any ancillary component, the exhaust system or any other non structural parts of the motorcycle frame.

A correctly supported motorcycle will help prevent it from falling.

Failure to follow the advice above could result in serious injury or death.

NOTICE

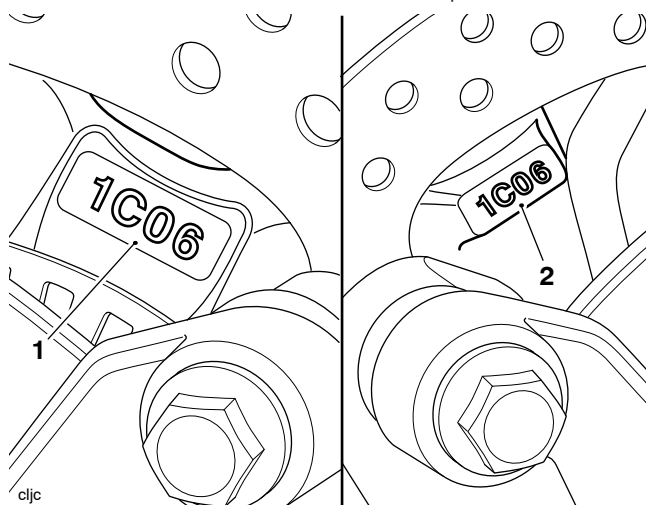
The supplier batch code is located at the lower end of the fork facing towards the front wheel.

If one of the front forks has a batch code in the affected range, select Repair code 996172 within the warranty prior consultation to order one Service Kit.

If both of the front forks has a batch code in the affected range, select Repair code 996173 within the warranty prior consultation to order two Service Kits.

Only replace the front fork top cap on the forks with one of the following batch codes:

- 2D02
 - 2D09
 - 2D23
1. Note the supplier batch code at the lower end of both front forks. Make sure both front forks are checked as the supplier batch code can differ between the pair.



1. Supplier batch code right hand fork (example)

2. Supplier batch code left hand fork (example)

2. If the supplier batch codes 2D02, 2D09 or 2D23 are not shown on either front fork, submit a warranty claim for Check supplier batch code only.
3. If one of the 2D02, 2D09 or 2D23 codes is shown on one or both of the front forks, order the required number of Service Kit, Forks, Showa and proceed to Top Cap - Replace.

Top Cap - Replace

! WARNING

When the top cap has been removed it must be immediately damaged such that it will not fit back onto a front fork.

Refitting the original fork top cap will result in fork failure which may cause loss of motorcycle control and an accident.

Failure to follow the advice above could result in serious injury or death.

NOTICE

The left and right fork leg assemblies are different internally.

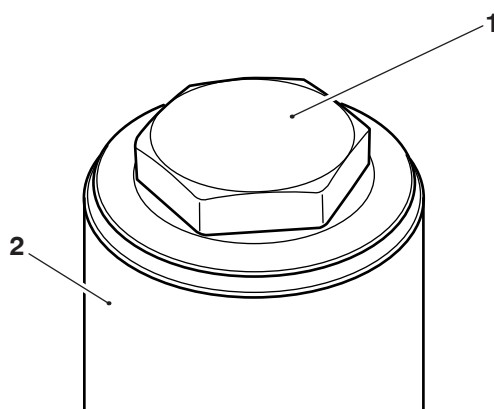
The methods for draining and filling the front fork is different between the left and right hand forks.

1. Remove the front fork(s) as described in the Service Manual.

! CAUTION

When securing the fork in service tool T3880171, take care not to over tighten the clamp as this will cause the fork tube to distort beyond repair.

2. Using a soft jawed vice, clamp the service tool T3880171 such that the fork can be mounted vertically.
3. With the top cap facing upwards, very gently clamp the fork inner tube into service tool T3880171.
4. Carefully unscrew the top cap from the fork outer tube.



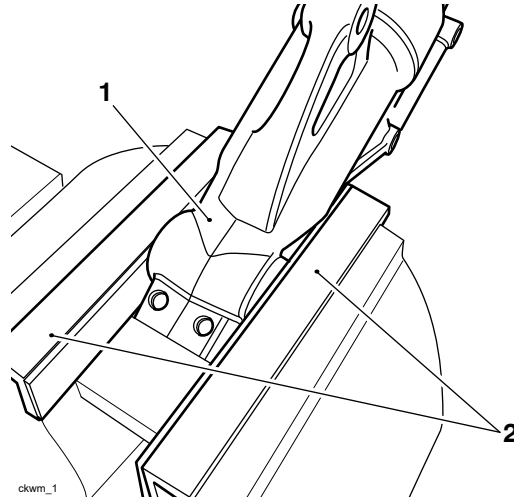
1. **Top cap**
2. **Fork outer tube**

Left Hand Fork

! WARNING

The fork top cap and joint rod assembly is under pressure from the fork spring. As the last few threads of the assembly are unscrewed, keep the assembly pushed firmly into the tube to prevent it being forcibly expelled as the threads release. To prevent injury, always wear eye, face and hand protection when removing the top cap and joint rod assembly.

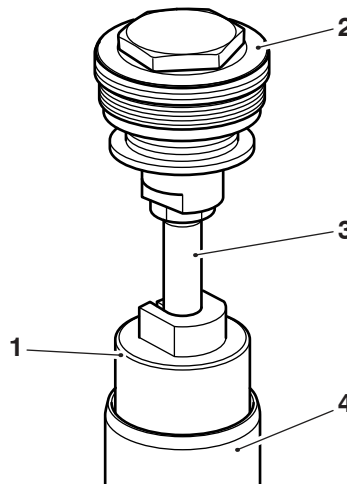
1. Remove the fork assembly from service tool T3880171 and transfer to a soft jawed vice.



1. Front fork assembly

2. Soft jaws

2. Hold the fork inner tube fully into the fork outer tube. Using service tool T3880367 unscrew and remove the fork top cap and joint rod assembly from the fork inner tube.



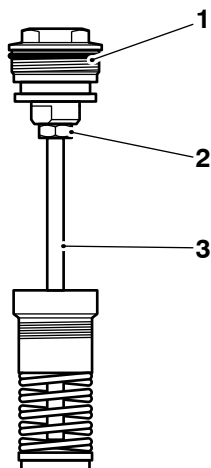
1. T3880367 - Wrench, Damper Cylinder, 33mm

2. Top cap

3. Joint rod

4. Fork outer tube

-
- Loosen the lock nut and unscrew the top cap from the joint rod.



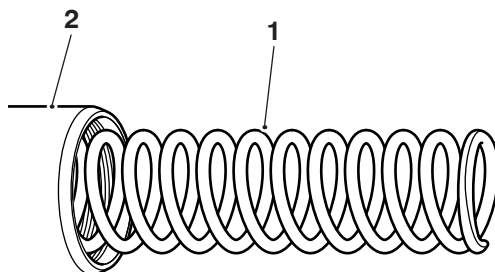
ckwl

- Fork top cap**
- Lock nut**
- Joint rod**

- With a hammer or use of a vice damage the threads of the original top cap so it cannot be fitted to a front fork. Retain the top cap as described in Genuine Parts Return.

Note:

- The spring has a smaller coil diameter at its upper end. Note the orientation of the spring before removal.
- Remove the spring.



cjrk_1

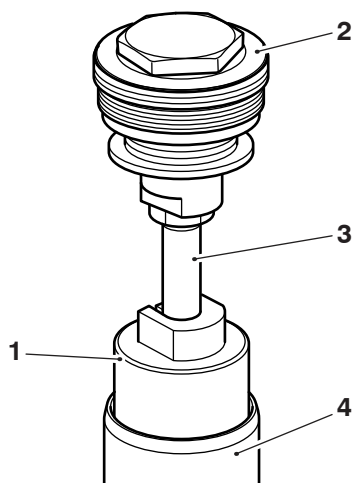
- Spring**
- Fork outer tube**

- Invert the fork and pour out the fork oil into a suitable container. Pump the fork assembly to remove all oil.
- Return the fork to an upright position, with the lower end of the fork inner tube secure in service tool T3880171.
- Using the fork oil supplied in the kit, refill the fork as described in the Service Manual.
- Screw the new top cap fully onto the joint rod.
- Hold the top cap while tightening the lock nut to 20 Nm.
- Fit the spring into the fork inner tube as noted during removal.

Note:

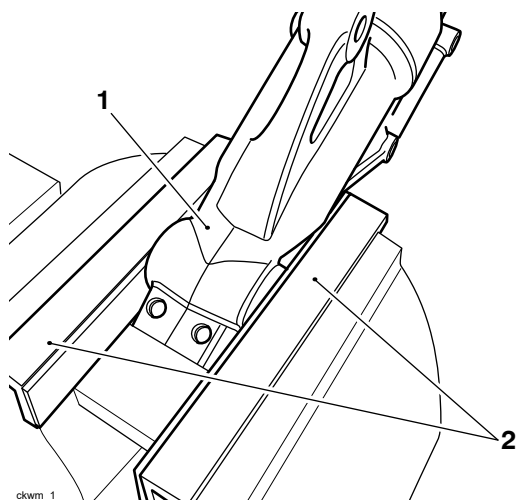
- When fitting the fork top cap and joint rod assembly, care must be taken not to damage the top ring of the joint rod assembly.

12. With the fork fully compressed use service tool T3880367 to fit the fork joint rod assembly to the inner tube.



1. **T3880367 - Wrench, Damper Cylinder, 33mm**
2. **Top cap**
3. **Joint rod**
4. **Fork outer tube**

13. Remove the fork from service tool T3880171 and transfer to a soft jawed vice.



1. **Front fork assembly**
2. **Soft jaws**

14. With the lower end of the fork inner tube secure in the vice, tighten the joint rod assembly to 90 Nm using a torque wrench fitted with a suitable crow foot spanner adapter.
15. From the kit, fit the O-ring to the new fork top cap.
16. Lubricate the O-ring on the top cap with a smear of clean fork oil then screw the top cap fully into the fork outer tube.

CAUTION

Before tightening, cover the top cap with a suitable masking tape to protect its anodized finish from tool damage.

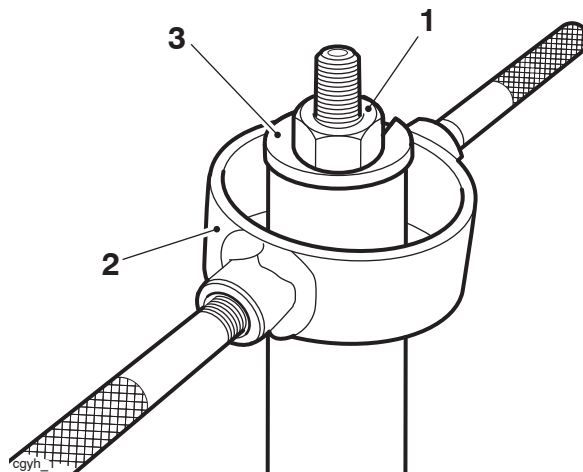
17. Tighten the top cap to 35 Nm.
18. Fit the front fork to the motorcycle as described in the Service Manual.

Right Hand Fork

WARNING

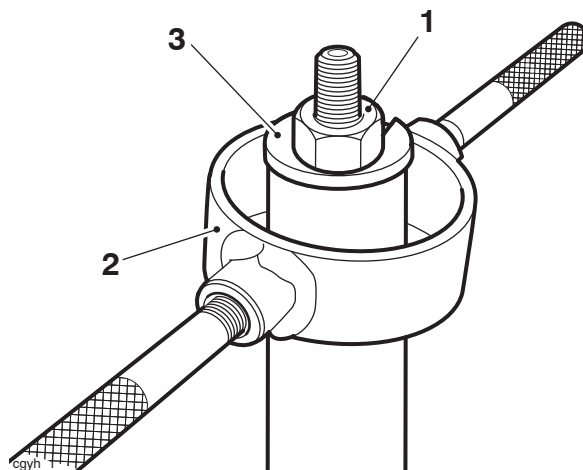
While compressing the fork spring always wear protective equipment for the face and eyes and never stand directly above or look directly down on the fork. If the spring compressor should dislodge or detach, the resulting release of spring tension could cause parts to fly off resulting in injury to the user.

1. Fit service tool T3880067 over the spring spacer. Position the two adjustable arms to the spring spacer. Screw in the arms until they positively engage in the spring spacer holes.
2. Using service tool T3880067, manually compress the fork spring and with the aid of an assistant, loosen the lock nut, unscrew and remove the top cap.



1. **Damper lock nut (top cap removed for clarity)**
2. **T3880067 - Fork Spring Compressor**
3. **Split collar**

3. With a hammer or use of a vice damage the threads of the original top cap so it cannot be fitted to a front fork. Retain the top cap as described in Genuine Parts Return.
4. Using service tool T3880067, manually compress the fork spring and with the aid of an assistant, remove the split collar below the damper lock nut.

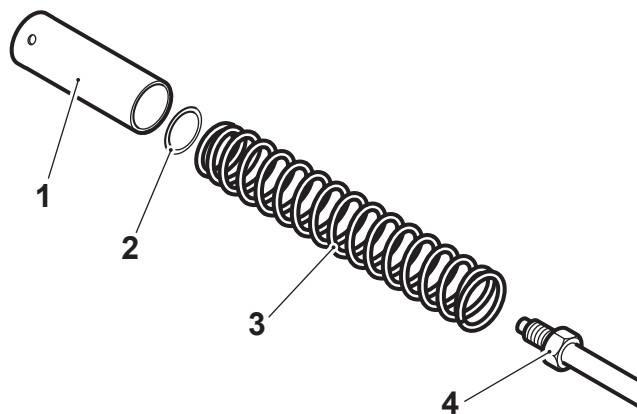


1. **Damper lock nut**
2. **T3880067 - Fork Spring Compressor**
3. **Split collar**

5. Remove service tool T3880067 from the spring spacer.

Note:

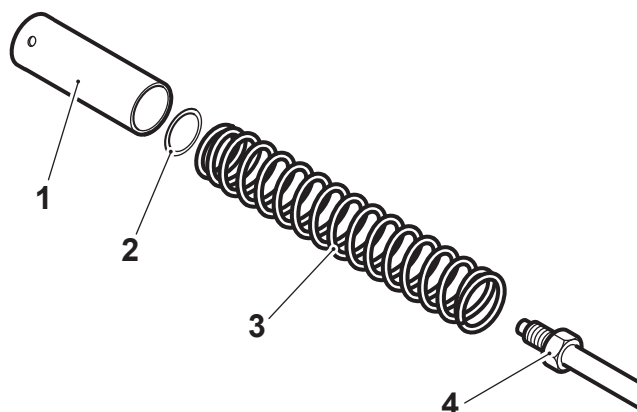
- The spring has a smaller coil diameter at its upper end. Note the orientation of the spring before removal.
6. Remove the spring spacer, washer and spring.



cdno_3

1. Spring spacer
2. Washer
3. Spring
4. Damper rod

7. Invert the fork and pour out the fork oil into a suitable container. Pump the fork assembly to remove all oil.
8. Return the fork to an upright position, with the lower end of the fork inner tube secure in service tool T3880171.
9. Using the fork oil supplied in the kit, refill the fork as described in the Service Manual.
10. From the kit, fit the O-ring to the new fork top cap.
11. Make sure that the damper rod lock nut is screwed fully onto the threads of the damper rod.
12. Fit the spring, washer and spring spacer into the fork inner tube as noted during removal.



cdno_3

1. Spring spacer
2. washer
3. Spring
4. Damper rod lock nut

13. Attach service tool T3880085 to the threads of the damper rod and pull the damper upwards.

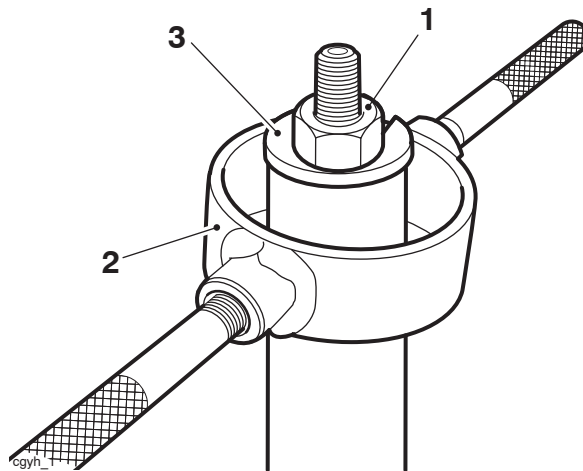
⚠ WARNING

While compressing the fork spring always wear protective equipment for the face and eyes and never stand directly above or look directly down on the fork. If the spring compressor should dislodge or detach, the resulting release of spring tension could cause parts to fly off resulting in injury to the user.

14. Fit service tool T3880067 over the spring spacer. Position the two adjustable arms to the spring spacer. Screw in the arms until they positively engage in the spring spacer holes.

Note:

- **An assistant may be required to install the split collar and top cap.**
15. Using service tool T3880067, manually compress the fork spring and with the aid of an assistant, fit the split collar below the damper lock nut.



1. Damper lock nut

2. T3880067 - Fork Spring Compressor

3. Split collar

16. Screw the top cap fully onto the damper rod.
17. Compress the fork spring using service tool T3880067 and with the aid of an assistant, hold the top cap while tightening the damper rod lock nut to 20 Nm.
18. Remove service tool T3880067 from the spring spacer.
19. Lubricate the O-ring on the top cap with a smear of clean fork oil then screw the top cap fully into the outer tube.

⚠ CAUTION

Before tightening, cover the top cap with a suitable masking tape to protect its anodized finish from tool damage.

20. Tighten the top cap to 35 Nm.
21. Fit the front fork to the motorcycle as described in the Service Manual.

Appendix A**Trident 660 - Vehicle Identification Numbers**

BC1962	BC3603	BC4955	BC5907	BC6646	BC8125	BC8875
BC1970	BC3606	BC4958	BC5911	BC6649	BC8135	BC8885
BC1980	BC3612	BC4969	BC5913	BC6661	BC8139	BC8890
BC1985	BC3622	BC4974	BC5919	BC6666	BC8144	BC8891
BC2013	BC3625	BC4991	BC5924	BC6669	BC8149	BC8896
BC2046	BC3637	BC4993	BC5926	BC6683	BC8156	BC8904
BC2062	BC3653	BC4997	BC5928	BC6692	BC8158	BC8905
BC2079	BC3655	BC5002	BC5930	BC6698	BC8162	BC8916
BC2083	BC3659	BC5011	BC5932	BC6700	BC8172	BC8921
BC2089	BC3666	BC5020	BC5937	BC6705	BC8177	BC8926
BC2091	BC3676	BC5032	BC5940	BC6709	BC8179	BC8935
BC2094	BC3678	BC5046	BC5943	BC6720	BC8185	BC8937
BC2099	BC3682	BC5058	BC5947	BC6745	BC8187	BC8938
BC2103	BC3690	BC5066	BC5951	BC6752	BC8217	BC8939
BC2107	BC3693	BC5080	BC5953	BC6758	BC8219	BC8943
BC2111	BC3697	BC5083	BC5954	BC6761	BC8221	BC8945
BC2118	BC3702	BC5090	BC5959	BC6793	BC8226	BC8950
BC2130	BC3707	BC5095	BC5963	BC6811	BC8240	BC8955
BC2138	BC3712	BC5103	BC5967	BC6818	BC8242	BC8957
BC2149	BC3716	BC5108	BC5979	BC6819	BC8245	BC8962
BC2159	BC3722	BC5114	BC5983	BC6831	BC8253	BC8982
BC2165	BC3725	BC5124	BC5988	BC6836	BC8256	BC9020
BC2181	BC3728	BC5130	BC5991	BC6845	BC8266	BC9026
BC2191	BC3732	BC5134	BC5994	BC6855	BC8268	BC9031
BC2192	BC3740	BC5137	BC5997	BC6858	BC8281	BC9037
BC2195	BC3743	BC5145	BC6003	BC6868	BC8284	BC9059
BC2199	BC3750	BC5177	BC6009	BC6877	BC8290	BC9064
BC2207	BC3755	BC5220	BC6012	BC6885	BC8295	BC9078
BC2209	BC3758	BC5222	BC6014	BC6898	BC8306	BC9083
BC2235	BC3769	BC5224	BC6016	BC6913	BC8310	BC9103
BC2240	BC3773	BC5229	BC6021	BC6919	BC8312	BC9130
BC2251	BC3783	BC5232	BC6031	BC6920	BC8316	BC9142
BC2263	BC3786	BC5235	BC6034	BC6925	BC8320	BC9160
BC2272	BC3789	BC5240	BC6037	BC7014	BC8325	BC9162
BC2285	BC3792	BC5243	BC6039	BC7031	BC8330	BC9174
BC2287	BC3794	BC5245	BC6041	BC7082	BC8337	BC9191

BC2296	BC3803	BC5248	BC6044	BC7125	BC8346	BC9198
BC2307	BC3806	BC5250	BC6046	BC7179	BC8354	BC9200
BC2316	BC3810	BC5252	BC6056	BC7188	BC8356	BC9204
BC2332	BC3814	BC5255	BC6060	BC7222	BC8358	BC9212
BC2339	BC3819	BC5259	BC6063	BC7227	BC8359	BC9214
BC2359	BC3831	BC5265	BC6072	BC7229	BC8361	BC9220
BC2361	BC3842	BC5272	BC6076	BC7240	BC8366	BC9224
BC2371	BC3847	BC5277	BC6097	BC7244	BC8368	BC9238
BC2382	BC3851	BC5280	BC6099	BC7248	BC8372	BC9250
BC2389	BC3857	BC5285	BC6104	BC7252	BC8376	BC9257
BC2402	BC3868	BC5287	BC6118	BC7265	BC8387	BC9265
BC2410	BC3873	BC5302	BC6123	BC7272	BC8391	BC9273
BC2413	BC3876	BC5306	BC6140	BC7276	BC8404	BC9282
BC2430	BC3882	BC5312	BC6149	BC7280	BC8425	BC9292
BC2437	BC3885	BC5315	BC6207	BC7290	BC8432	BC9303
BC2703	BC3889	BC5318	BC6216	BC7296	BC8435	BC9318
BC2709	BC3893	BC5323	BC6217	BC7316	BC8437	BC9327
BC2727	BC3896	BC5331	BC6221	BC7341	BC8446	BC9337
BC2746	BC3900	BC5336	BC6225	BC7355	BC8449	BC9341
BC2765	BC3906	BC5340	BC6243	BC7362	BC8465	BC9386
BC2772	BC3909	BC5344	BC6245	BC7417	BC8475	BC9392
BC2782	BC3910	BC5349	BC6247	BC7427	BC8487	BC9398
BC2809	BC3915	BC5352	BC6250	BC7428	BC8491	BC9412
BC2818	BC3921	BC5357	BC6252	BC7432	BC8494	BC9417
BC2830	BC3925	BC5361	BC6254	BC7439	BC8495	BC9433
BC2833	BC3928	BC5364	BC6256	BC7450	BC8499	BC9442
BC2836	BC3933	BC5375	BC6263	BC7465	BC8502	BC9462
BC2841	BC3936	BC5380	BC6264	BC7472	BC8505	BC9465
BC2854	BC3938	BC5384	BC6268	BC7496	BC8508	BC9467
BC2860	BC3941	BC5387	BC6271	BC7503	BC8510	BC9472
BC2865	BC3943	BC5396	BC6273	BC7507	BC8513	BC9476
BC2876	BC3960	BC5399	BC6276	BC7533	BC8516	BC9480
BC2884	BC3963	BC5403	BC6278	BC7546	BC8525	BC9493
BC2902	BC3982	BC5413	BC6281	BC7567	BC8527	BC9498
BC2911	BC3986	BC5419	BC6283	BC7582	BC8531	BC9502
BC2920	BC3991	BC5423	BC6286	BC7610	BC8532	BC9504
BC2934	BC3994	BC5428	BC6289	BC7630	BC8539	BC9508
BC2949	BC3997	BC5434	BC6294	BC7631	BC8545	BC9515

BC2958	BC4001	BC5444	BC6296	BC7640	BC8550	BC9518
BC2969	BC4007	BC5453	BC6299	BC7642	BC8553	BC9520
BC2976	BC4129	BC5464	BC6302	BC7644	BC8554	BC9522
BC2980	BC4134	BC5472	BC6304	BC7652	BC8559	BC9525
BC2999	BC4138	BC5475	BC6305	BC7659	BC8573	BC9535
BC3021	BC4156	BC5477	BC6310	BC7666	BC8579	BC9548
BC3035	BC4157	BC5480	BC6312	BC7671	BC8582	BC9556
BC3044	BC4160	BC5482	BC6314	BC7692	BC8585	BC9559
BC3052	BC4165	BC5484	BC6316	BC7707	BC8588	BC9566
BC3066	BC4170	BC5496	BC6318	BC7710	BC8595	BC9576
BC3081	BC4178	BC5505	BC6321	BC7714	BC8597	BC9582
BC3093	BC4189	BC5511	BC6323	BC7717	BC8599	BC9595
BC3114	BC4581	BC5518	BC6325	BC7728	BC8602	BC9609
BC3138	BC4592	BC5525	BC6332	BC7775	BC8604	BC9632
BC3150	BC4596	BC5530	BC6334	BC7779	BC8611	BC9639
BC3154	BC4609	BC5538	BC6336	BC7793	BC8614	BC9643
BC3172	BC4614	BC5544	BC6338	BC7810	BC8617	BC9652
BC3173	BC4619	BC5549	BC6341	BC7812	BC8629	BC9662
BC3178	BC4622	BC5558	BC6344	BC7817	BC8637	BC9668
BC3183	BC4625	BC5562	BC6356	BC7821	BC8642	BC9674
BC3196	BC4627	BC5569	BC6375	BC7827	BC8650	BC9689
BC3205	BC4634	BC5574	BC6379	BC7834	BC8654	BC9701
BC3217	BC4638	BC5577	BC6387	BC7838	BC8662	BC9722
BC3230	BC4645	BC5589	BC6394	BC7846	BC8667	BC9729
BC3246	BC4648	BC5602	BC6398	BC7849	BC8669	BC9733
BC3253	BC4652	BC5608	BC6400	BC7856	BC8677	BC9741
BC3255	BC4656	BC5615	BC6404	BC7858	BC8679	BC9751
BC3272	BC4665	BC5620	BC6417	BC7885	BC8680	BC9762
BC3287	BC4669	BC5628	BC6419	BC7929	BC8685	BC9774
BC3292	BC4675	BC5636	BC6428	BC7950	BC8689	BC9783
BC3293	BC4685	BC5644	BC6437	BC7968	BC8695	BC9794
BC3301	BC4693	BC5650	BC6440	BC7991	BC8699	BC9796
BC3308	BC4695	BC5655	BC6444	BC7996	BC8700	BC9800
BC3313	BC4697	BC5663	BC6447	BC8000	BC8704	BC9804
BC3329	BC4709	BC5671	BC6450	BC8004	BC8712	BC9811
BC3345	BC4721	BC5679	BC6454	BC8006	BC8714	BC9814
BC3349	BC4730	BC5685	BC6460	BC8009	BC8717	BC9823
BC3355	BC4732	BC5699	BC6462	BC8012	BC8718	BC9829

BC3367	BC4735	BC5717	BC6465	BC8014	BC8719	BC9834
BC3374	BC4743	BC5732	BC6468	BC8021	BC8722	BC9841
BC3397	BC4755	BC5736	BC6471	BC8024	BC8725	BC9846
BC3401	BC4760	BC5747	BC6473	BC8025	BC8728	BC9881
BC3418	BC4764	BC5755	BC6475	BC8036	BC8731	BC9888
BC3420	BC4767	BC5758	BC6478	BC8040	BC8735	BC9901
BC3430	BC4772	BC5768	BC6481	BC8044	BC8740	BC9905
BC3435	BC4780	BC5773	BC6496	BC8048	BC8743	BC9909
BC3440	BC4785	BC5777	BC6511	BC8051	BC8749	BC9918
BC3453	BC4796	BC5781	BC6515	BC8061	BC8754	BC9921
BC3470	BC4803	BC5797	BC6538	BC8069	BC8769	BC9942
BC3479	BC4816	BC5802	BC6543	BC8070	BC8775	BC9944
BC3486	BC4823	BC5819	BC6553	BC8074	BC8781	BC9950
BC3501	BC4840	BC5823	BC6560	BC8077	BC8784	BC9965
BC3507	BC4849	BC5832	BC6568	BC8082	BC8788	BC9984
BC3526	BC4852	BC5835	BC6572	BC8085	BC8793	BC9986
BC3537	BC4857	BC5842	BC6575	BC8089	BC8803	BD0034
BC3539	BC4859	BC5863	BC6586	BC8092	BC8809	BD0040
BC3545	BC4862	BC5870	BC6592	BC8095	BC8819	BD0046
BC3553	BC4864	BC5871	BC6596	BC8100	BC8842	BD0055
BC3559	BC4872	BC5877	BC6604	BC8102	BC8851	BD0058
BC3565	BC4881	BC5882	BC6610	BC8112	BC8855	
BC3572	BC4890	BC5893	BC6612	BC8113	BC8858	
BC3577	BC4913	BC5895	BC6625	BC8115	BC8863	
BC3584	BC4919	BC5900	BC6631	BC8117	BC8865	
BC3589	BC4946	BC5902	BC6633	BC8119	BC8871	
BC3594	BC4952	BC5905	BC6636	BC8121	BC8873	

Tiger Sport **660 - Vehicle Identification Numbers**

BC4146	BC7201	BC8468	BC9753	BD1323
BC4781	BC7202	BC8471	BC9759	BD1330
BC4984	BC7207	BC8478	BC9767	BD1331
BC6073	BC7211	BC8481	BC9816	BD1337
BC6545	BC7212	BC8497	BC9850	BD1340
BC6559	BC7216	BC8538	BC9854	BD1345
BC6579	BC7218	BC8543	BC9860	BD1359
BC6585	BC7228	BC8547	BC9867	BD1364
BC6623	BC7230	BC8551	BC9878	BD1368
BC6627	BC7241	BC8555	BC9886	BD1372

BC6629	BC7256	BC8568	BC9897	BD1377
BC6639	BC7260	BC8618	BC9914	BD1381
BC6644	BC7302	BC8623	BC9920	BD1407
BC6653	BC7305	BC8632	BC9923	BD1425
BC6656	BC7306	BC8635	BC9931	BD1428
BC6658	BC7307	BC8648	BC9935	BD1433
BC6672	BC7323	BC8653	BC9954	BD1439
BC6675	BC7327	BC8655	BC9973	BD1447
BC6677	BC7336	BC8657	BC9995	BD1450
BC6686	BC7339	BC8709	BD0001	BD1463
BC6713	BC7346	BC8736	BD0007	BD1473
BC6727	BC7351	BC8755	BD0011	BD1476
BC6731	BC7356	BC8764	BD0019	BD1488
BC6736	BC7363	BC8799	BD0022	BD1499
BC6739	BC7365	BC8816	BD0029	BD1505
BC6749	BC7369	BC8823	BD0043	BD1508
BC6754	BC7372	BC8835	BD0048	BD1535
BC6764	BC7375	BC8837	BD0066	BD1539
BC6767	BC7378	BC8839	BD0081	BD1545
BC6771	BC7381	BC8880	BD0124	BD1561
BC6779	BC7387	BC8915	BD0145	BD1565
BC6786	BC7394	BC8934	BD0162	BD1577
BC6801	BC7404	BC8936	BD0169	BD1585
BC6803	BC7407	BC8944	BD0177	BD1590
BC6808	BC7409	BC8949	BD0182	BD1642
BC6824	BC7444	BC8952	BD0191	BD1661
BC6841	BC7452	BC8956	BD0217	BD1681
BC6854	BC7457	BC8960	BD0227	BD1694
BC6859	BC7479	BC8965	BD0250	BD1738
BC6861	BC7485	BC8968	BD0257	BD1741
BC6866	BC7488	BC8970	BD0275	BD1755
BC6870	BC7515	BC8976	BD0292	BD1765
BC6880	BC7523	BC8978	BD0300	BD1771
BC6882	BC7526	BC8979	BD0357	BD1773
BC6886	BC7548	BC8987	BD0406	BD1775
BC6889	BC7557	BC8997	BD0409	BD1777
BC6892	BC7563	BC9001	BD0435	BD1796
BC6894	BC7572	BC9005	BD0439	BD1812

BC6896	BC7577	BC9022	BD0476	BD1838
BC6905	BC7592	BC9041	BD0488	BD1856
BC6911	BC7596	BC9046	BD0513	BD1858
BC6934	BC7598	BC9054	BD0522	BD1861
BC6939	BC7604	BC9071	BD0541	BD1877
BC6942	BC7612	BC9092	BD0544	BD1884
BC6946	BC7626	BC9095	BD0585	BD1889
BC6951	BC7649	BC9100	BD0610	BD1994
BC6952	BC7654	BC9109	BD0622	BD1996
BC6955	BC7668	BC9117	BD0623	BD1998
BC6964	BC7672	BC9124	BD0631	BD2002
BC6968	BC7677	BC9133	BD0636	BD2006
BC6973	BC7685	BC9138	BD0638	BD2010
BC6975	BC7703	BC9148	BD0643	BD2015
BC6978	BC7734	BC9156	BD0651	BD2019
BC6988	BC7741	BC9164	BD0670	BD2024
BC6990	BC7751	BC9171	BD0686	BD2030
BC6991	BC7754	BC9177	BD0690	BD2041
BC6995	BC7761	BC9181	BD0695	BD2053
BC6998	BC7770	BC9185	BD0701	BD2054
BC7001	BC7784	BC9186	BD0709	BD2061
BC7004	BC7791	BC9207	BD0717	BD2065
BC7006	BC7802	BC9228	BD0720	BD2070
BC7015	BC7824	BC9275	BD0731	BD2072
BC7019	BC7852	BC9298	BD0742	BD2074
BC7021	BC7855	BC9321	BD0762	BD2123
BC7025	BC7862	BC9323	BD0771	BD2137
BC7026	BC7873	BC9333	BD0794	BD2143
BC7029	BC7876	BC9342	BD0816	BD2174
BC7033	BC7877	BC9347	BD0819	BD2182
BC7038	BC7880	BC9352	BD0828	BD2191
BC7039	BC7889	BC9357	BD0838	BD2199
BC7048	BC7897	BC9359	BD0841	BD2203
BC7053	BC7899	BC9364	BD0849	BD2215
BC7059	BC7905	BC9368	BD0853	BD2218
BC7061	BC7907	BC9377	BD0878	BD2221
BC7063	BC7912	BC9382	BD0953	BD2224
BC7065	BC7913	BC9400	BD0968	BD2232

BC7069	BC7919	BC9404	BD0992	BD2235
BC7072	BC7921	BC9436	BD1017	BD2238
BC7075	BC7938	BC9439	BD1026	BD2240
BC7079	BC7940	BC9447	BD1039	BD2241
BC7088	BC7942	BC9450	BD1052	BD2246
BC7093	BC7948	BC9454	BD1057	BD2254
BC7094	BC7951	BC9456	BD1070	BD2265
BC7101	BC7955	BC9470	BD1074	BD2274
BC7104	BC7962	BC9483	BD1081	BD2280
BC7106	BC7971	BC9486	BD1096	BD2291
BC7110	BC7980	BC9488	BD1109	BD2293
BC7112	BC7983	BC9505	BD1112	BD2299
BC7115	BC7985	BC9511	BD1115	BD2309
BC7116	BC7993	BC9529	BD1119	BD2318
BC7117	BC8066	BC9531	BD1122	BD2326
BC7120	BC8130	BC9537	BD1129	BD2330
BC7121	BC8190	BC9541	BD1133	BD2335
BC7123	BC8194	BC9546	BD1137	BD2346
BC7124	BC8204	BC9563	BD1156	BD2353
BC7127	BC8210	BC9571	BD1162	BD2367
BC7130	BC8224	BC9574	BD1163	BD2372
BC7134	BC8229	BC9578	BD1173	BD2404
BC7137	BC8231	BC9585	BD1178	BD2419
BC7142	BC8234	BC9587	BD1190	BD2429
BC7143	BC8236	BC9589	BD1193	BD2435
BC7145	BC8249	BC9591	BD1212	BD2443
BC7148	BC8250	BC9599	BD1236	BD2455
BC7151	BC8257	BC9604	BD1241	BD2457
BC7154	BC8261	BC9621	BD1245	BD2459
BC7156	BC8283	BC9628	BD1248	BD2462
BC7160	BC8287	BC9646	BD1265	BD2468
BC7163	BC8296	BC9650	BD1269	BD2471
BC7164	BC8338	BC9656	BD1278	BD2484
BC7168	BC8343	BC9678	BD1287	BD2489
BC7170	BC8379	BC9691	BD1289	BD2493
BC7174	BC8392	BC9692	BD1292	BD2506
BC7177	BC8405	BC9695	BD1297	BD2519
BC7187	BC8412	BC9706	BD1301	BD5378

BC7196	BC8418	BC9712	BD1305	
BC7199	BC8421	BC9748	BD1315	