

October 11, 2024

Version 3

Safety Recall: 2022 MDX Seat Weight Sensor (DTC U3000-49)

Supersedes 24-015, dated July 17, 2024, to revise the information.

AFFECTED VEHICLES

Year	Model	Trim Level	VIN Range
2022	MDX	ALL	Check the iN VIN status for eligibility.

REVISION SUMMARY

This bulletin has been extensively revised. American Honda recommends reviewing the entire bulletin.

BACKGROUND

Affected vehicles may be equipped with seat weight sensors that are not built to proper specifications. Improperly built sensors could lead to cracking and/or a short circuit of the sensor, resulting in the illumination of the SRS warning light and the passenger airbag indicator remaining OFF. In certain collisions, these seat weight sensors may cause improper deployment of the front passenger airbags, increasing the risk of injury.

CLIENT NOTIFICATION

Owners of the affected vehicles will be sent a notification of this campaign. Do an iN VIN status inquiry to make sure the vehicle is shown as eligible. Some vehicles affected by this campaign may be in your new or used vehicle inventory.

Failure to repair a vehicle subject to a recall or campaign may subject your dealership to claims or lawsuits from the client and/or anyone else harmed as a result of such failure. To verify if a vehicle in inventory is affected, do a VIN status inquiry before selling it.

CORRECTIVE ACTION

Replace the seat weight sensors.

CLIENT INFORMATION: The information in this bulletin is intended for use only by skilled technicians who have the proper tools, equipment, and training to correctly and safely maintain your vehicle. These procedures should not be attempted by “do-it-yourselfers,” and you should not assume this bulletin applies to your vehicle, or that your vehicle has the condition described. To determine whether this information applies, contact an authorized Acura automobile dealer.

WARRANTY CLAIM INFORMATION

For repairs on or after October 11, 2024, you must use the warranty claim information with template ID ending in C.
 For inspection or repairs before October 11, 2024, go to page 3.

Operation Number	Description	Flat Rate Time	Defect Code	Symptom Code	Template ID	Failed Part Number
7491E4	Replace seat weight sensors- power seat (includes seat calibration & DTC clear)	0.9 hr	6XW00	ZHD00	B24020C	81201-TBA-A61

Skill Level: Repair Technician

Seat Weight Sensor Kit Serial Number

Enter the Seat Weight Sensor Kit serial number from the Seat Weight Sensor Kit label into the Replacement Serial Number field of the Parts Information section of the warranty claim.

NOTE:

- The Seat Weight Sensor Kit label should be affixed to the repair order by the technician.
- The claim may reject if a valid serial number is not included.

Parts Information						
Failed Part No. •		<input type="text"/>	Failed Part Description •		<input type="text"/>	
Replacement Serial No.		<input type="text"/>				
Item	Replacement Part No. •	Quantity •	Unit Price	Unit Total	Description	
1	<input type="text"/>	<input type="text"/>	<input type="text"/>	<input type="text"/>	<input type="text"/>	Delete
2	<input type="text"/>	<input type="text"/>	<input type="text"/>	<input type="text"/>	<input type="text"/>	Delete
3	<input type="text"/>	<input type="text"/>	<input type="text"/>	<input type="text"/>	<input type="text"/>	Delete
4	<input type="text"/>	<input type="text"/>	<input type="text"/>	<input type="text"/>	<input type="text"/>	Delete
5	<input type="text"/>	<input type="text"/>	<input type="text"/>	<input type="text"/>	<input type="text"/>	Delete
More >						
Materials Information						

For repairs before October 11, 2024, you must use the warranty claim information with template IDs ending in A, or B.

NOTE: If the INSPECTION PROCEDURE determined this Service Bulletin doesn't apply, use template B to submit a warranty claim for the inspection.

Operation Number	Description	Flat Rate Time	Defect Code	Symptom Code	Template ID	Failed Part Number
8611L0	Replace power seat slide (includes inspect and DTC check)	2.6 hr	6XW00	ZHD00	B24020 A	81136-TJB-A61
7495A1	For stored DTCs other than DTC U3000-49 and/or inspection determines this Service Bulletin does not apply.	0.3 hr	6XZ00	FIU00	B24020 B	81136-T20-A61

PARTS INFORMATION

Part Name	Part Number	Quantity
Seat Weight Sensor Kit	04945-TJB-A00	1

Seat Weight Sensor Kit, P/N 04945-TJB-A00 has been allocated to dealers in limited quantities. Honda will continue to allocate kits on a weekly basis. Refer to the Parts Information Bulletin 24-0012, *Multi-Model Seat-Weight Sensor Safety Recall Parts Availability*, for detail regarding parts availability and ordering.

TOOL INFORMATION

Tool Name	Tool Number	Quantity
SWS Fixture Guide D	07AAG-TVAA400	1
Snap-On Torque Wrench	07AAA-TVAA400	1
Box End Head (16mm)	07AAA-TG7A300	1

REPAIR PROCEDURE

1. Remove the label from the new seat weight sensor box and affix it to the repair order.



Repair Order - Customer Copy ACLRA
FURNITURE
1100 N. W. 15th St
Miami, FL 33136

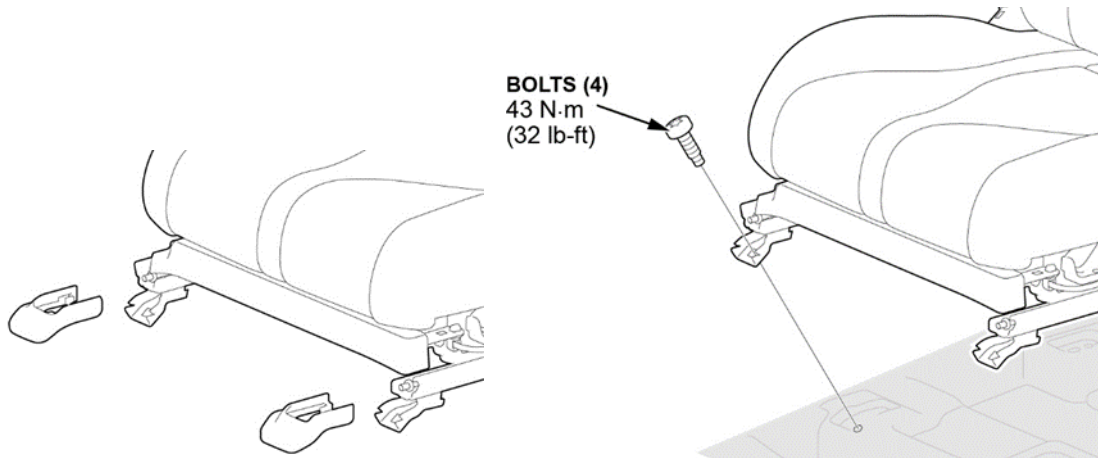
DESCRIPTION	QUANTITY	PRICE	TAXES	AMOUNT PAID	BALANCE
44444444	1.00	124.12	0.00	124.12	0.00
44444444	1.00	124.12	0.00	124.12	0.00
44444444	1.00	124.12	0.00	124.12	0.00
44444444	1.00	124.12	0.00	124.12	0.00
44444444	1.00	124.12	0.00	124.12	0.00
44444444	1.00	124.12	0.00	124.12	0.00
44444444	1.00	124.12	0.00	124.12	0.00
44444444	1.00	124.12	0.00	124.12	0.00
44444444	1.00	124.12	0.00	124.12	0.00
44444444	1.00	124.12	0.00	124.12	0.00
44444444	1.00	124.12	0.00	124.12	0.00

DESCRIPTION OF SERVICE AND PARTS

LABOR	PARTS

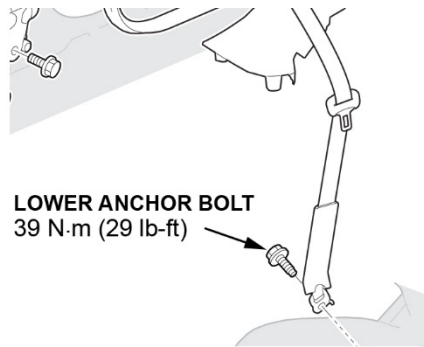
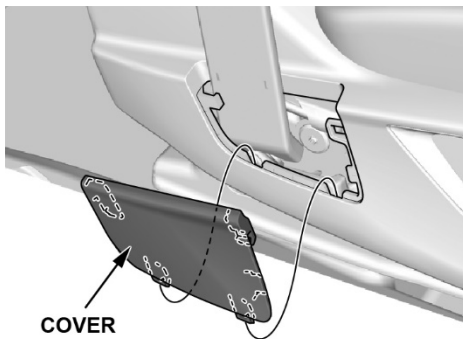
John Smith

2. Remove passenger seat foot covers and seat mounting bolts.

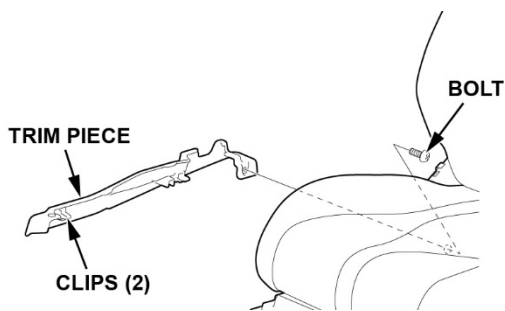


3. Move the front passenger's seat to the most forward position and raise the seat bottom to the highest position, then remove the rear mounting bolts.
4. Disconnect the negative terminal of the 12-volt battery.
 - *12 Volt Battery Terminal Disconnection and Reconnection*,
 - *MDX* ([Click Here](#))
 - *MDX Type S* ([Click Here](#))

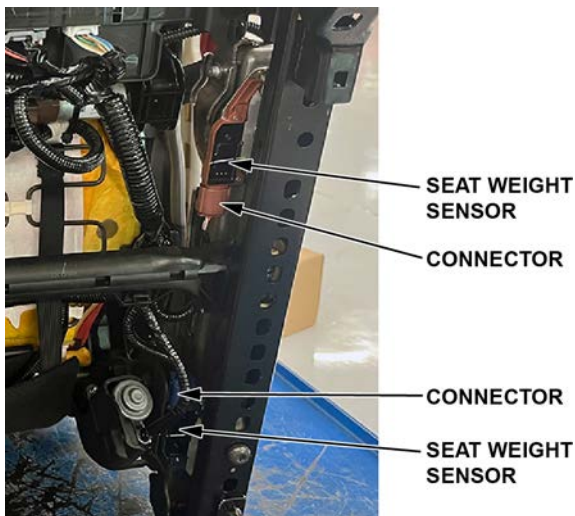
5. Remove the right front seat belt bolt cover and front seat belt anchor bolt.



6. Disconnect the under-seat connectors.
7. Remove the seat from the vehicle.
8. Remove the right-side lower trim piece.



9. Tilt the seat back and disconnect the 2 seat weight sensor connectors from the seat harness.
NOTE: Take a picture of the harness routing prior to removal for future reference.



10. Disconnect the seat motor connector.



SEAT MOTOR
CONNECTOR

11. Disconnect the wire harness clips from the seat rail.



CLIPS

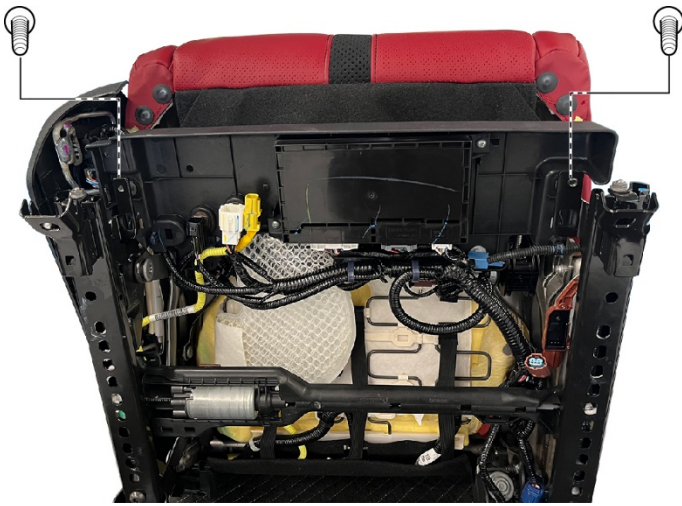


12. Remove the two bolts holding the left side seat frame.



BOLTS
55 N·m (40 lb-ft)

13. Unbolt the cover (2 screws) and push the cover toward the seat cushion to allow access to the right front seat rail mounting bolt.



14. Remove the two bolts on the right side holding the frame.

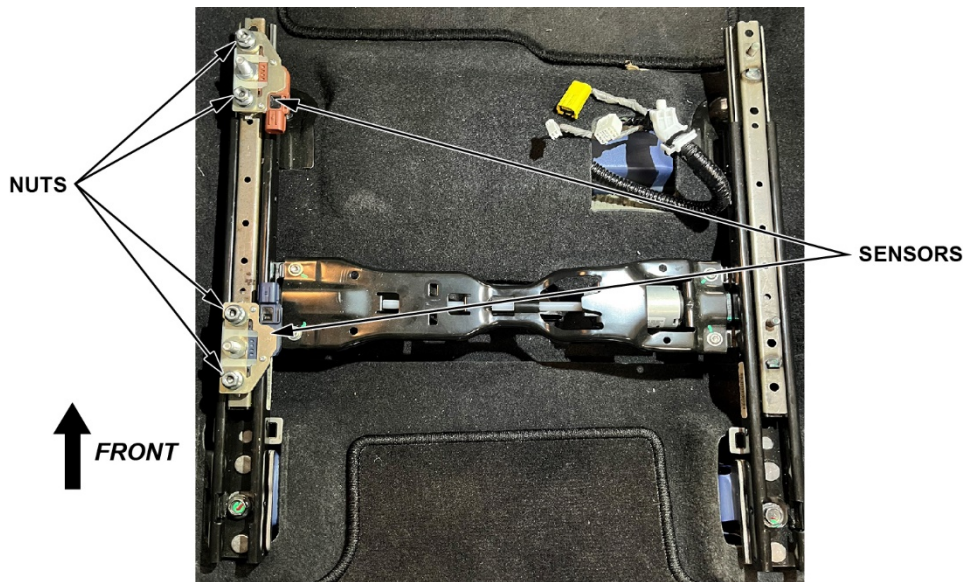


BOLTS
25 N·m (18 lb-ft)

15. Remove the seat rail from the seat frame.



16. Mount the seat rail in the vehicle and remove the 2 seat weight sensors, then discard the nuts and sensors.



17. Loosely install the new sensors and new nuts in the orientation shown.

SENSOR POSITION 1

LEFT FRONT



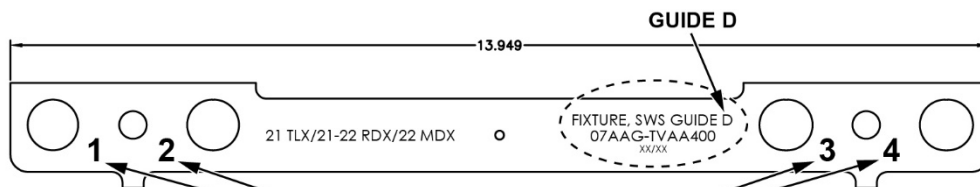
SENSOR POSITION 2

LEFT REAR



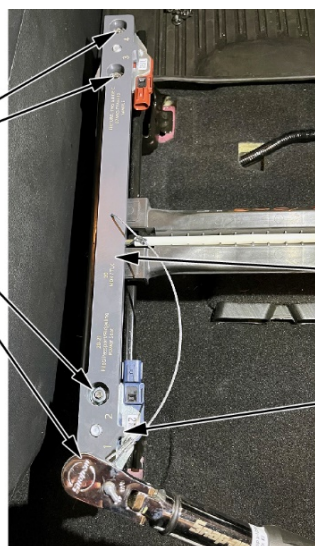
18. Place the **SWS Fixture Guide D** onto the new seat weight sensors with the tabs located to the inside of the seat track. With the guide properly seated on the new sensors, **torque the 8 mm nuts to 35 N·m (26 lb-ft) in the order shown on the SWS fixture guide.**

NOTE: Use the socket provided with the guide.



TORQUE SEQUENCE

8mm NUTS
35 N·m
(26 lb-ft)

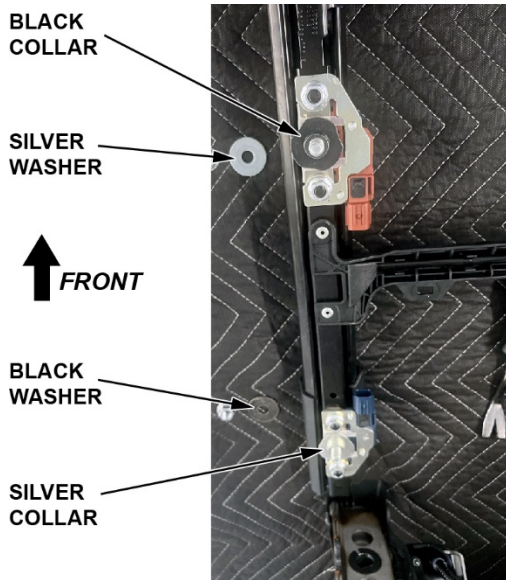


SWS FIXTURE GUIDE

TABS
Tabs located to the inside.

19. Remove the seat rail from the vehicle. Reinstall the seat rail to the seat frame. Loosely install the new nuts and bolts and reinstall all parts.

NOTE: The bushings and collars can be identified by their color. Make sure to install the bushings and collars in the proper location.



20. Torque the left side seat frame bolts to **55 N·m (40 lb-ft)**. The right-side bolts should be torqued to **25 N·m (18 lb-ft)**.

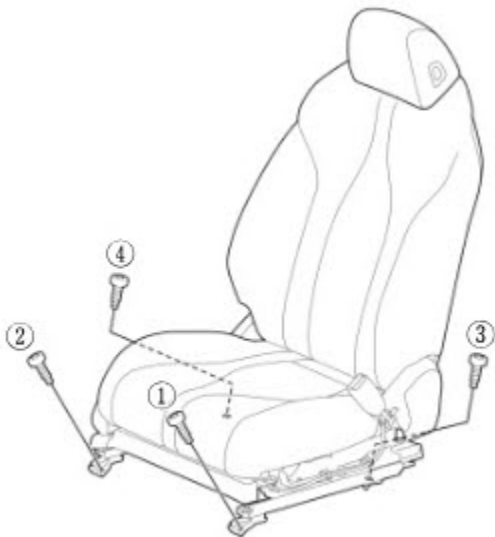


BOLTS
55 N·m (40 lb-ft)



BOLTS
25 N·m (18 lb-ft)

21. Install the seat and reconnect all connectors. Hand tighten the bolts first, then torque them in the sequence shown to **43 N·m (32 lb-ft)**.



22. Connect the negative terminal to the 12-volt battery.
 - *12 Volt Battery Terminal Disconnection and Reconnection*,
 - *MDX* ([Click Here](#))
 - *MDX Type S* ([Click Here](#))
23. Do the *Front Passenger's Weight Sensor Initialization*, ([Click Here](#))
24. Do the front weight sensor operation check, ([Click Here](#))
25. Confirm the SRS Operation: Turn the vehicle to the ON mode, and check that the SRS indicator comes on for about 6 seconds and then goes off.
26. Do the steering neutral position learn procedure, ([Click Here](#))