

December 16, 2024

Version 3

Safety Recall: 2020–22 HR-V Seat Weight Sensor

Supersedes 24-036, dated October 18, 2024, to revise the information highlighted in yellow.

APPLIES TO

Year	Model	Trim Level	VIN Range
2020–22	HR-V	ALL	Check the iN VIN status for eligibility.

REVISION SUMMARY

Under REPAIR PROCEDURE, a step was added.

BACKGROUND

Affected vehicles may be equipped with seat weight sensors that are not built to proper specifications. Improperly built sensors could lead to cracking and/or a short circuit of the sensor, resulting in the illumination of the SRS warning light and the passenger airbag indicator remaining OFF. In certain collisions, these seat weight sensors may cause improper deployment of the front passenger airbags, increasing the risk of injury.

CUSTOMER NOTIFICATION

Owners of affected vehicles will be sent a notification of this safety recall. Do an iN VIN status inquiry to verify eligibility. Some vehicles affected by this campaign may be in your new or used vehicle inventory.

Failure to repair a vehicle subject to a recall or campaign may subject your dealership to claims or lawsuits from the customer or anyone else harmed as a result of such failure. To see if a vehicle in inventory is affected by this safety recall, do a VIN status inquiry before selling it.

CORRECTIVE ACTION

Replace the seat weight sensor.

CUSTOMER INFORMATION: The information in this bulletin is intended for use only by skilled technicians who have the proper tools, equipment, and training to correctly and safely maintain your vehicle. These procedures should not be attempted by “do-it-yourselfers,” and you should not assume this bulletin applies to your vehicle, or that your vehicle has the condition described. To determine whether this information applies, contact an authorized Honda automobile dealer.

WARRANTY CLAIM INFORMATION

For repairs on or after October 18, 2024, you must use the warranty claim information with Template ID C.
 For inspection or repairs before to October 18, 2024, see page 3.

Operation Number	Description	Flat Rate Time	Defect Code	Symptom Code	Template ID	Failed Part Number
7491E5	Replace seat weight sensors – manual seat (includes seat calibration)	1.1 hr	6XW00	XHK00	A24036 C	81136-T7W-A41

Seat Weight Sensor Kit Serial Number

Enter the Seat Weight Sensor Kit serial number from the Seat Weight Sensor Kit label into the Replacement Serial Number field of the Parts Information section of the warranty claim.

NOTE:

- This model has 2 kits, both kit serial numbers **are required** to be entered.
- The seat weight sensor kit label should be affixed to the repair order by the technician.
- The claim may reject if valid serial numbers are not included.

Parts Information

Failed Part No.* Failed Part Description*

Replacement Serial No. XXXXXXXXXX-XXXXXXXXXX

Item	Replacement Part No.*	Quantity*	Unit Price	Unit Total	Description	
1	<input type="text"/>	<input type="text"/>	<input type="text"/>	<input type="text"/>	<input type="text"/>	Delete
2	<input type="text"/>	<input type="text"/>	<input type="text"/>	<input type="text"/>	<input type="text"/>	Delete
3	<input type="text"/>	<input type="text"/>	<input type="text"/>	<input type="text"/>	<input type="text"/>	Delete
4	<input type="text"/>	<input type="text"/>	<input type="text"/>	<input type="text"/>	<input type="text"/>	Delete
5	<input type="text"/>	<input type="text"/>	<input type="text"/>	<input type="text"/>	<input type="text"/>	Delete

More >

Materials Information

For repairs **before October 18, 2024**, you must use the warranty claim information in template IDs ending in A and B.

NOTE: If the INSPECTION PROCEDURE determines this Service Bulletin does not apply, use template B to submit a warranty claim for the inspection.

Operation Number	Description	Flat Rate Time	Defect Code	Symptom Code	Template ID	Failed Part Number
8611L0	Replace seat cushion frame (includes inspect and DTC clear)	1.5 hr	6XW00	XHK00	A24036A	81136-T7W-A41
7495A1	For stored DTCs other than DTC U3000-49, or the inspection determines this service bulletin does not apply.	0.3 hr	6XZ00	KIT00	A24036B	81136-T20-A61

Skill Level: Repair Technician

PARTS INFORMATION

Seat Weight Sensor Kit, P/N: 04945-T5R-A00 has been allocated to dealers in limited quantities. Honda will continue to allocate kits on a weekly basis. Refer to the Parts Information Bulletin 24-0020, *Multi-Model Seat-Weight Sensor Safety Recall Parts Availability*, for details regarding parts availability and ordering.

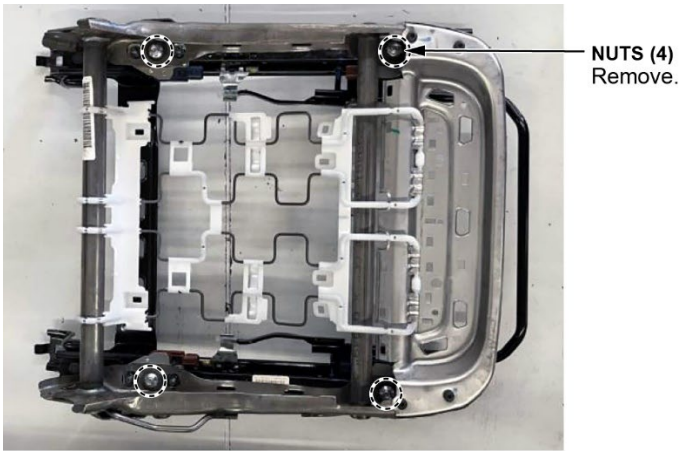
Part Name	Part Number	Quantity
Seat Weight Sensor Kit	04945-T5R-A00	1

TOOL INFORMATION

NOTE: Tools will be made available and auto-shipped to all dealers at a later date.

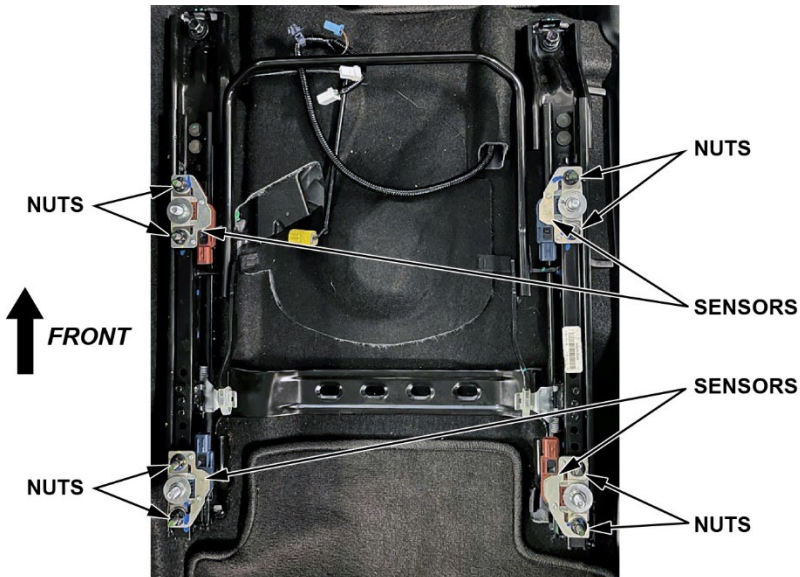
Tool Name	Part Number	Quantity
Snap-on Torque Wrench	07AAA-TVAA400	1
Head, Box End (12mm)	07AAA-TVAA100	1
Head, Box End (14mm)	07AAA-TVAA200	1
Head, Box End (16mm)	07AAA-TG7A300	1
SWS Fixture Guide E	07AAG-TVAA500	1

9. Remove the 4 nuts and washers attaching the seat rail to the seat frame. Discard the nuts and washers.



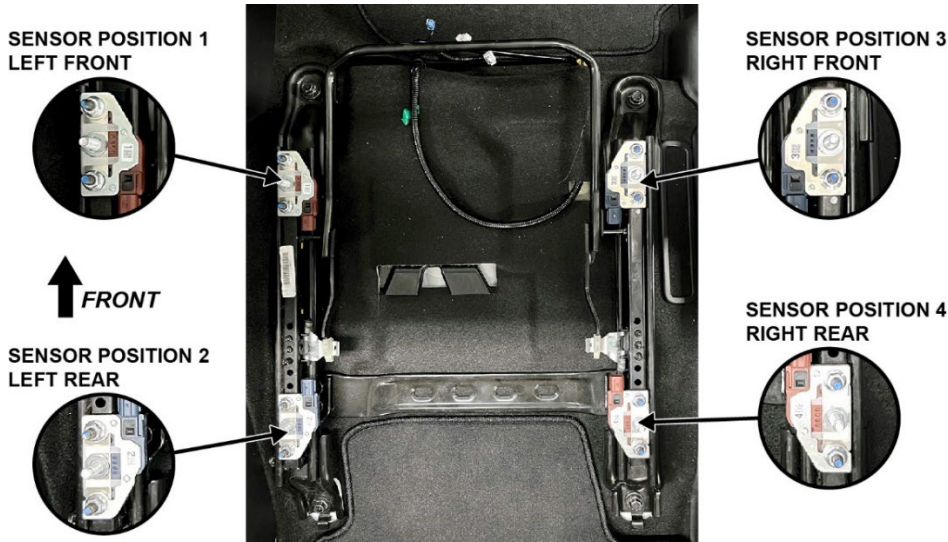
10. Install the seat rail assembly into the vehicle using the seat rail mounting bolts. Tighten the bolts by hand first, then torque the bolts to the specified torque **43 N·m (32 lb-ft)**.

11. Remove the 8 sensor nuts and 4 seat weight sensors. Discard the nuts and sensors.

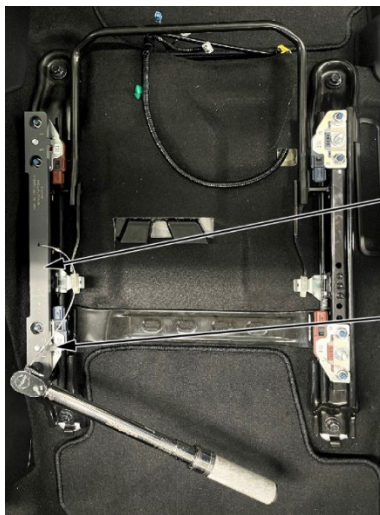
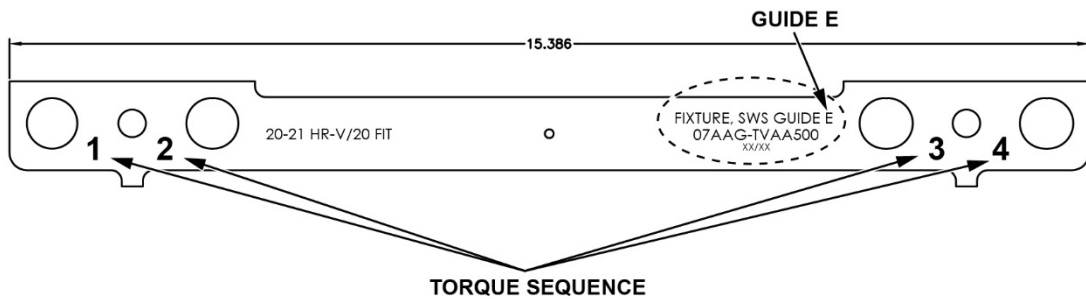


12. Loosely install the new sensors using new sensor nuts in the orientation shown.

NOTE: The new sensors have a number for installation in the correct location.



13. Place the **SWS Fixture Guide E** onto the new seat weight sensors with the tabs located to the inside of the seat rail. With the guide properly seated on the sensors, **torque the nuts to 35 N·m (26 lb-ft) in the order shown on the SWS Fixture Guide using the socket provided.**



SWS FIXTURE GUIDE

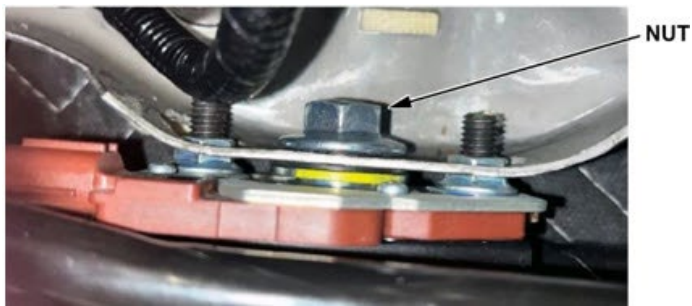
TABS
Tabs located
to the inside.



SWS FIXTURE GUIDE

TABS
Tabs located
to the inside.

14. Remove the seat rail assembly from the vehicle and reinstall on the seat frame with new flange nuts and washers.



15. Use the Snap-On Torque Wrench (P/N 07AAA-TVAA400) and box-end head and torque the nuts to the specified torque **55 N·m (41 lb-ft)**.



16. Install the remaining parts in reverse order of removal.

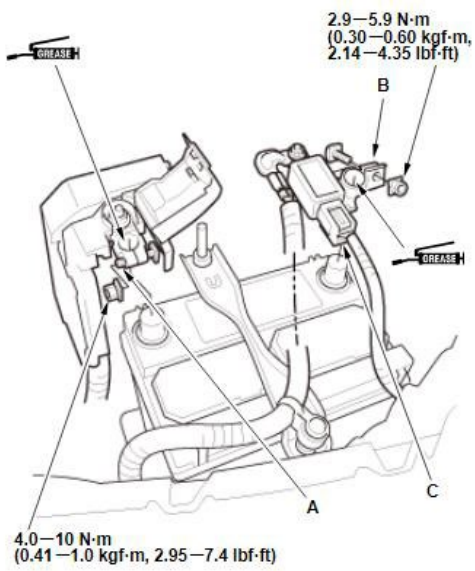
17. Install the passenger's front seat in the vehicle.

- *Front Seat Removal and Installation(Without Power Seats)* ([Click Here](#))

18. Reconnect the seat connectors and secure the harness clip.

19. Reconnect the negative terminal of the 12-volt battery.

NOTE: To protect the 12-volt battery sensor connector from damage, **do not** hold it when installing the negative terminal.



20. Do the *Front Passenger's Weight Sensor Initialization* ([Click Here](#))

21. Do the *Front Passenger's Weight Sensor Unit Operation Check* ([Click Here](#))

22. Do the *VSA Sensor Neutral Position Memorization* ([Click Here](#))

23. Confirm SRS operation: Turn the vehicle to the ON mode and check that the SRS indicator comes on for about **6 seconds**, then goes off.