

July 17, 2024

Version 4

Safety Recall: 2020-22 Multi-Model Seat Weight Sensor (DTC 3000-49)

Supersedes 24-038, dated March 26, 2024, to revise the information highlighted in **yellow**.

AFFECTED VEHICLES

Year	Model	Trim Level	VIN Range
2020–21	Passport	ALL	Check the iN VIN status for eligibility.
2020–22	Pilot	ALL	Check the iN VIN status for eligibility.
2020–21	Ridgeline	ALL	Check the iN VIN status for eligibility.

REVISION SUMMARY

Under WARRANTY CLAIM INFORMATION, a new table entry was added.

BACKGROUND

Affected vehicles may be equipped with seat weight sensors not built to proper specifications. Improperly built sensors could lead to cracking and/or a short circuit of the sensor, resulting in the illumination of the SRS warning light and the passenger airbag indicator remaining OFF. In certain collisions, these seat weight sensors may cause improper deployment of the front passenger airbag, increasing the risk of injury.

CUSTOMER NOTIFICATION

Owners of affected vehicles will be sent a notification of this safety recall.

Do an iN VIN status inquiry to verify eligibility.

Some vehicles affected by this campaign may be in your new or used vehicle inventory.

Failure to repair a vehicle subject to a recall or campaign may subject your dealership to claims or lawsuits from the customer or anyone else harmed as a result of such failure. To see if a vehicle in inventory is affected by this safety recall, do a VIN status inquiry before selling it.

CORRECTIVE ACTION

- If the SRS warning light is not illuminated, refer to *Campaign Notice 24-050*.
- If the SRS warning light is illuminated, follow the inspection procedure outlined in this bulletin.

CUSTOMER INFORMATION: The information in this bulletin is intended for use only by skilled technicians who have the proper tools, equipment, and training to correctly and safely maintain your vehicle. These procedures should not be attempted by “do-it-yourselfers,” and you should not assume this bulletin applies to your vehicle, or that your vehicle has the condition described. To determine whether this information applies, contact an authorized Honda automobile dealer.

PARTS INFORMATION

Due to a limited supply of controlled parts, they require prior approval before shipping. This will be determined by the INSPECTION PROCEDURE, follow the steps provided by the QR code.

TOOL INFORMATION

Tool Name	Part Number	Quantity
Belt Buckle Tool	07AAF-TG7A100	1

WARRANTY CLAIM INFORMATION

NOTE: If the INSPECTION PROCEDURE determines this Service Bulletin doesn't apply, use template C to submit a warranty claim for the inspection.

Passport – Elite, Touring, EX-L, Pilot – Black, Elite, Touring, EX-L, SE, Ridgeline – Black, RTL-E, RTL

Operation Number	Description	Flat Rate Time	Defect Code	Symptom Code	Template ID	Failed Part Number
7491E3	Replace the power seat rail assembly (includes inspection and DTC clear).	1.6 hr	6XW00	OHB00	A24038A	81205-TG7-A32

Passport – Sport, Pilot – EX, LX, Ridgeline - Sport

8521K5	Replace the manual seat rail assembly (includes inspection and DTC clear).	1.2 hr	6XW00	OHB00	A24038B	81205-TG7-A02
--------	--	--------	-------	-------	---------	---------------

Inspection Only

7495A1	For stored DTCs other than DTC U3000-49 and/or inspection determines this Service Bulletin does not apply.	0.3 hr	6XZ00	KIT00	A24038C	81136-T20-A61
--------	--	--------	-------	-------	---------	---------------

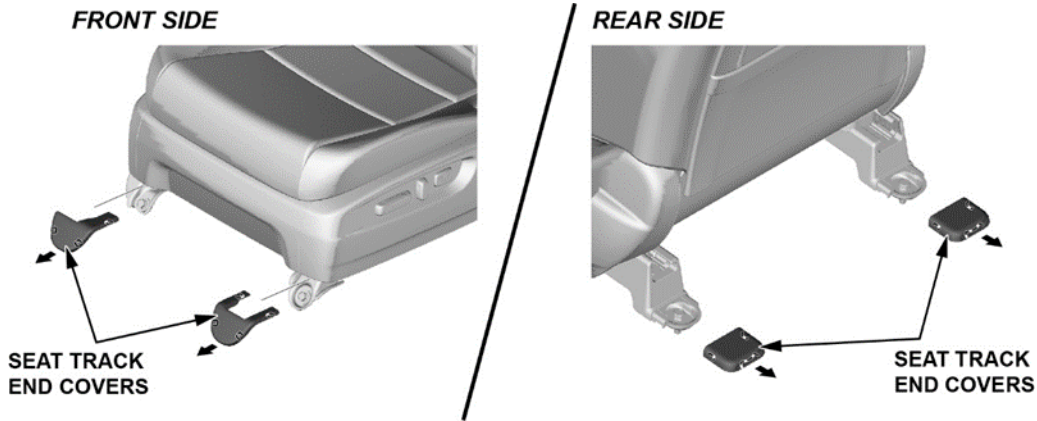
Skill Level: Repair Technician

INSPECTION PROCEDURE

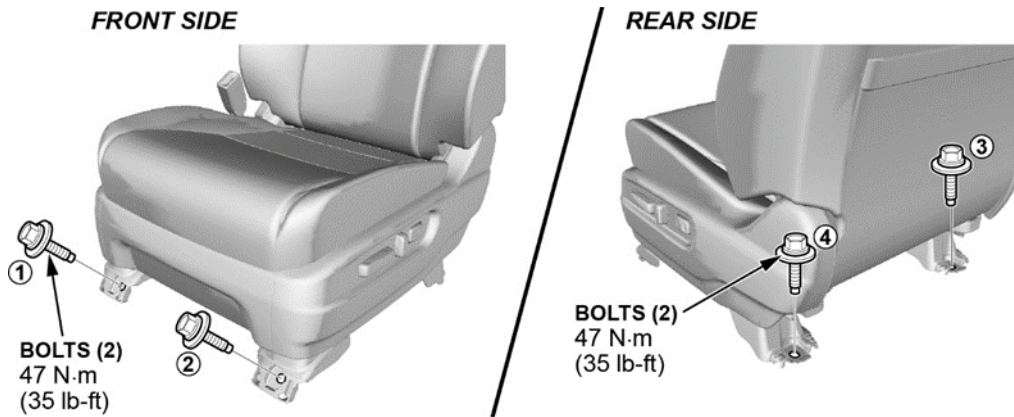
1. Check for the SRS airbag light on the dash.
2. If the airbag light is on, connect the HDS to the vehicle. Do an ALL DTC check.
3. If DTC U3000-49 is present, continue to step 4.

If DTCs other than U3000-49 are found, this service bulletin does not apply. Continue with normal troubleshooting.

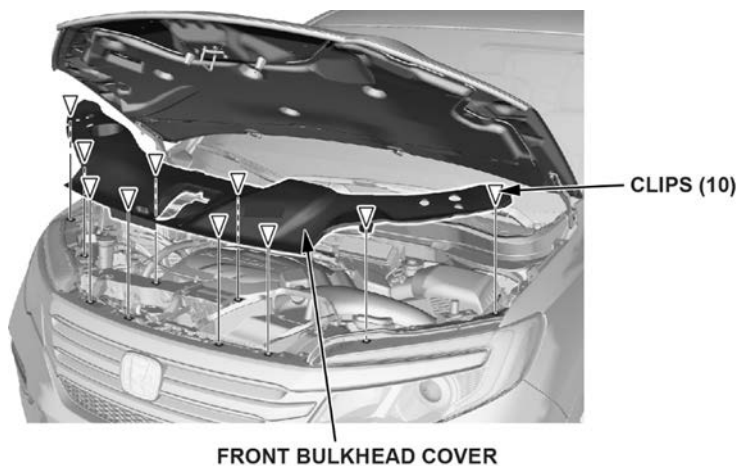
4. Remove passenger seat foot covers and seat mounting bolts.



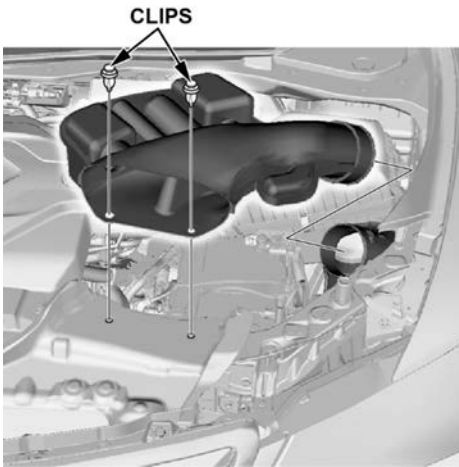
5. Set the passenger's seat cushion to a full tilt-up position.
6. Move the front passenger's seat to the most forward position and remove the rear mounting bolts.



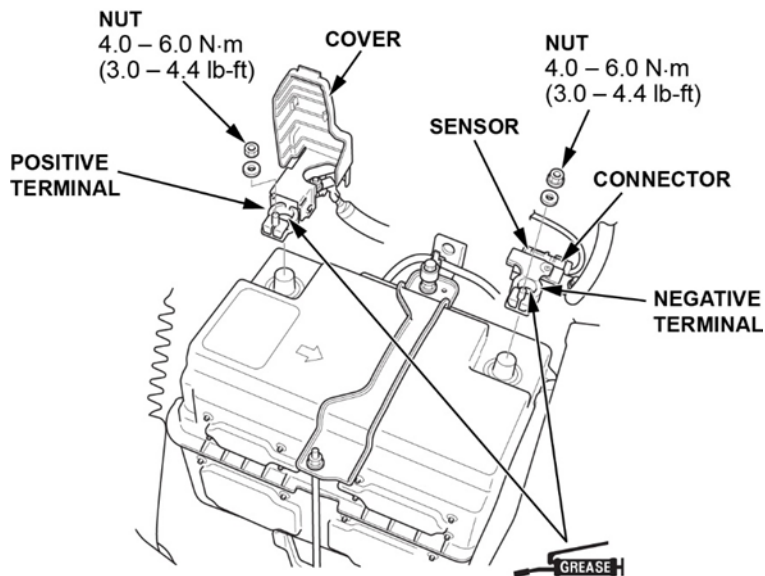
7. Move the front passenger's seat to the rearmost position and remove the front mounting bolts.
8. Remove the front bulkhead cover.



9. Remove the air intake tube.



10. Disconnect the negative terminal of the 12-volt battery.



11. Tilt the seat back and disconnect the seat weight sensor connectors from the seat harness.



12. Connect the negative terminal of the 12-volt battery.

13. With the seat weight sensors disconnected, clear the DTC and do an All DTC check.

Note: Other new DTCs may be stored due to the seat weight sensors being unplugged. Disregard these new DTCs at this time.

14. If DTC U3000-49 (Internal Failure of the SRS Unit) does not return, scan the QR code with a capable device and complete the form.

NOTE:

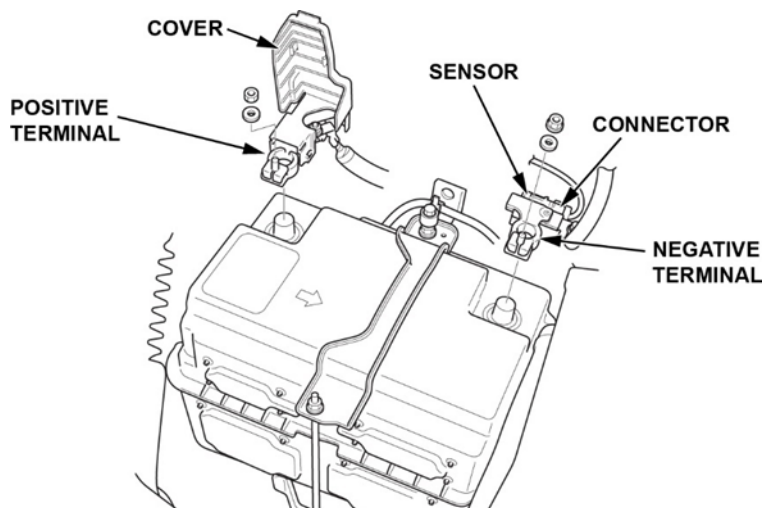
- This form must be filled out before parts can be ordered.
- If you can't scan the QR code, ([Click HERE](#)).



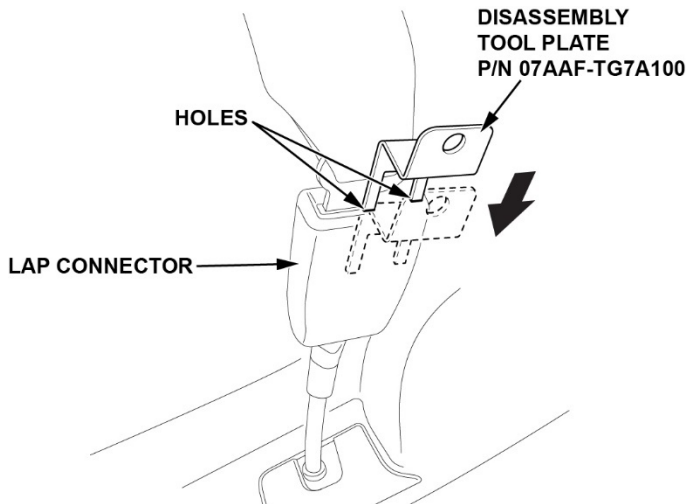
15. If DTC U3000-49 does return, this service bulletin does not apply. Reconnect the seat weight sensor connectors and continue with normal troubleshooting.

REPAIR PROCEDURE

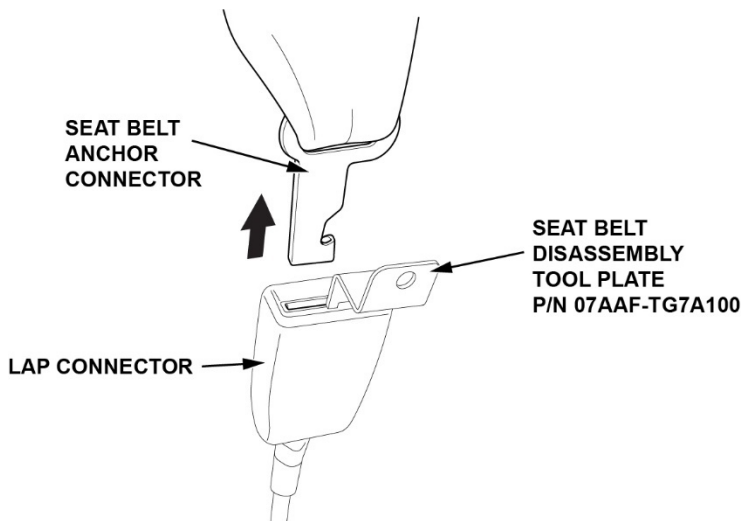
1. Disconnect the negative terminal of the 12-volt battery.



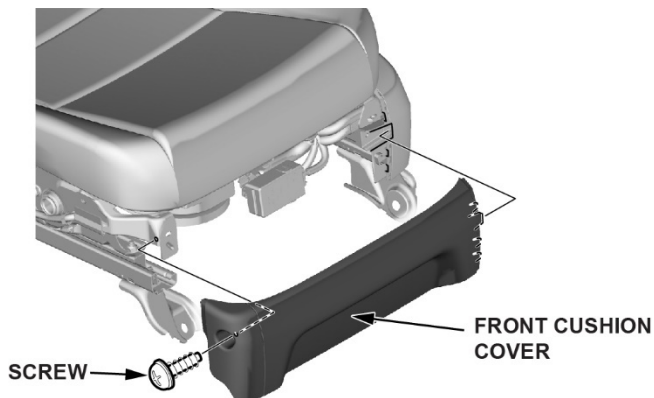
2. Release the seat belt from the pretensioner.
 1. Insert the seat belt disassembly tool plate into the holes in the top connector.
 2. Push the seat belt disassembly tool plate.



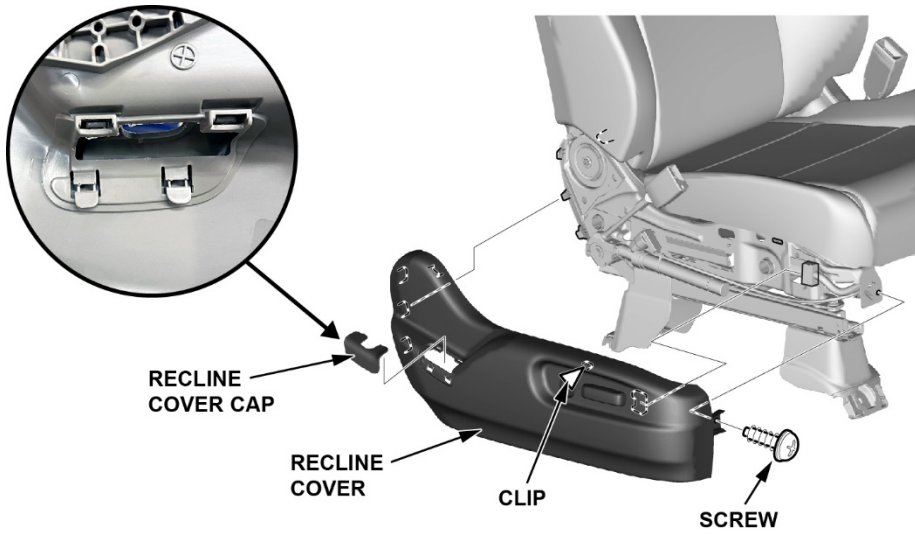
3. Release the front seat belt anchor connector upward from the lap connector.
4. Remove the seat belt disassembly tool plate.



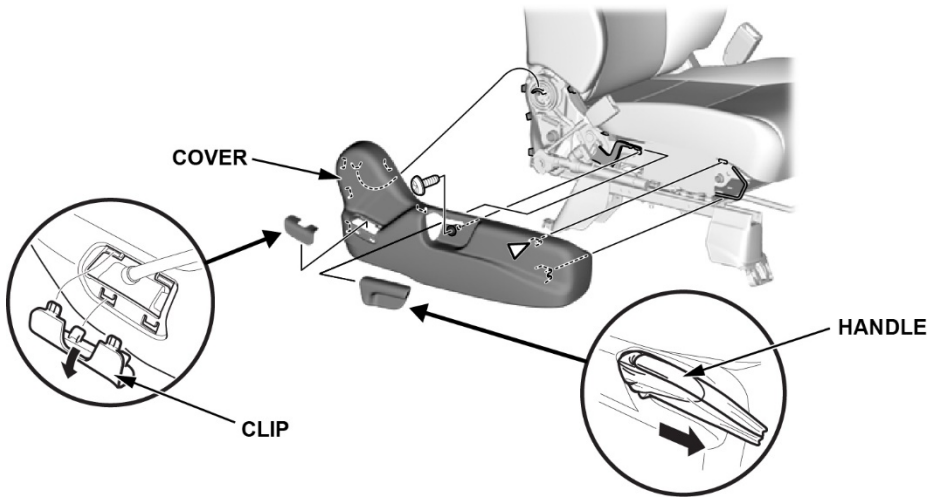
3. Lift the seat and disconnect any remaining connectors.
4. Remove the passenger's seat and place it on a clean, flat surface.
5. **With Power Seat:** Remove the front cushion cover.



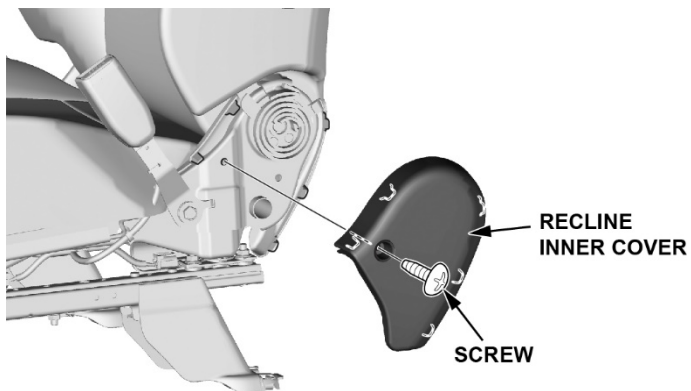
6. **With Power Seat:** Remove the front recline cover cap, then remove the recline cover.



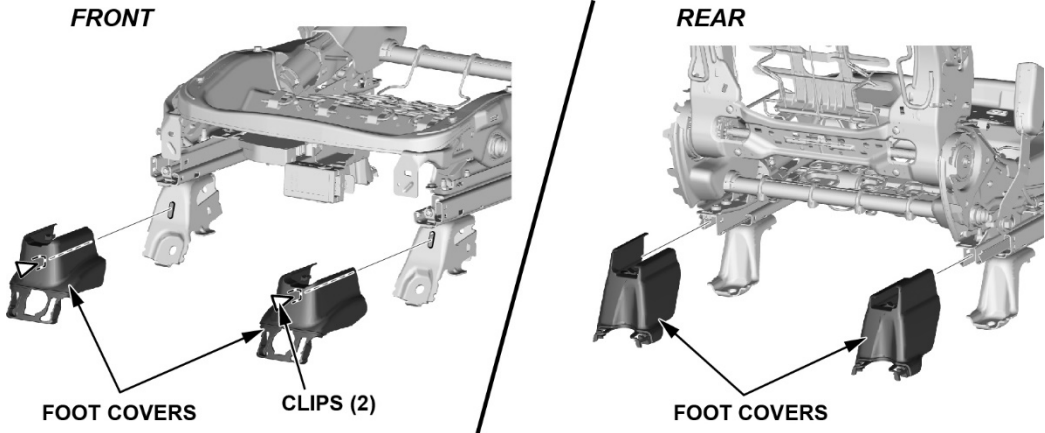
With Manual Seat: Remove the front seat height adjuster handle and cover.



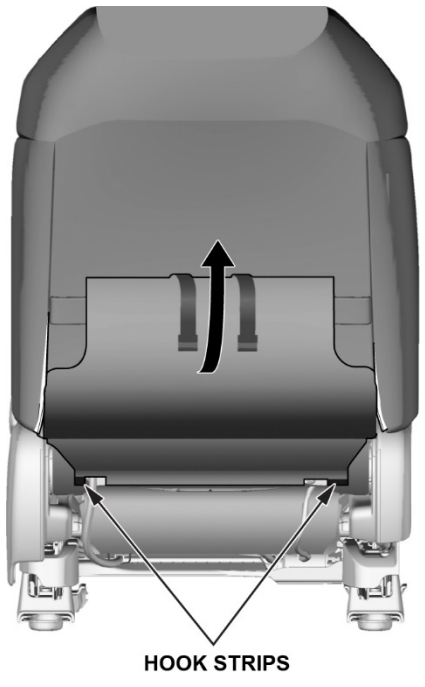
7. Remove the reclining inner cover.



8. Remove the foot covers from the front and rear.

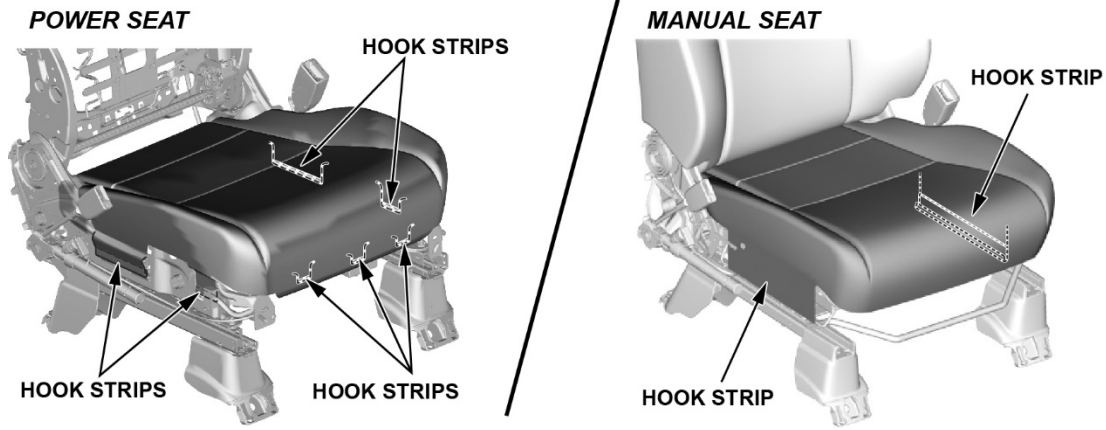


9. Release the hook strips from the seat back cover.

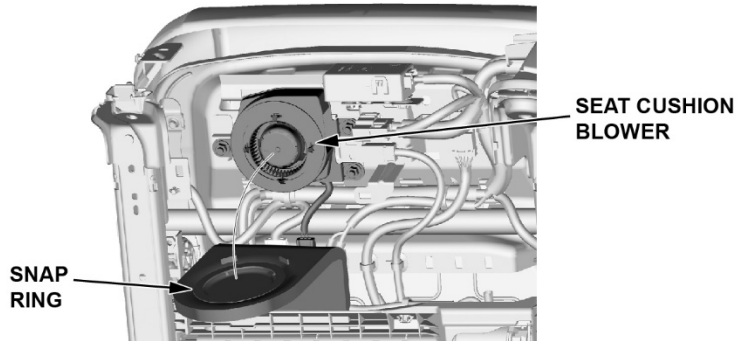


10. Release the hook strips from the seat cushion cover.

NOTE: With a ventilated seat, release the snap ring from the seat cushion blower.



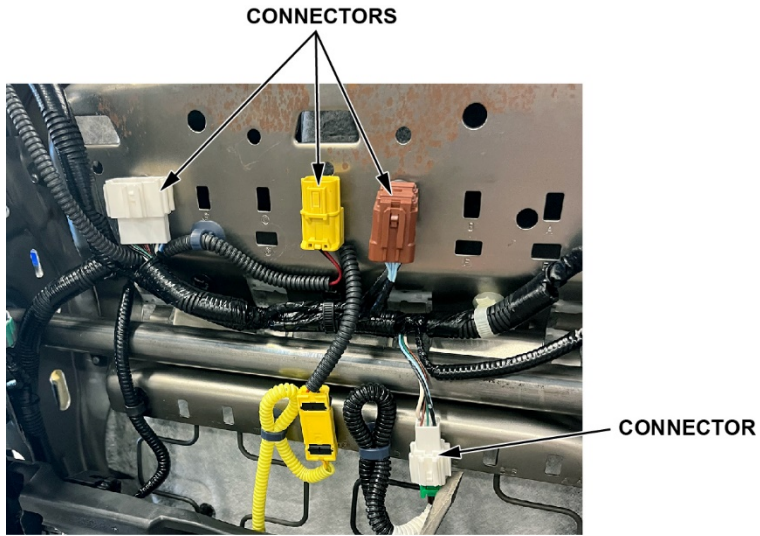
WITH VENTILATED SEAT



11. Gently separate the seat cushion from the seat frame.

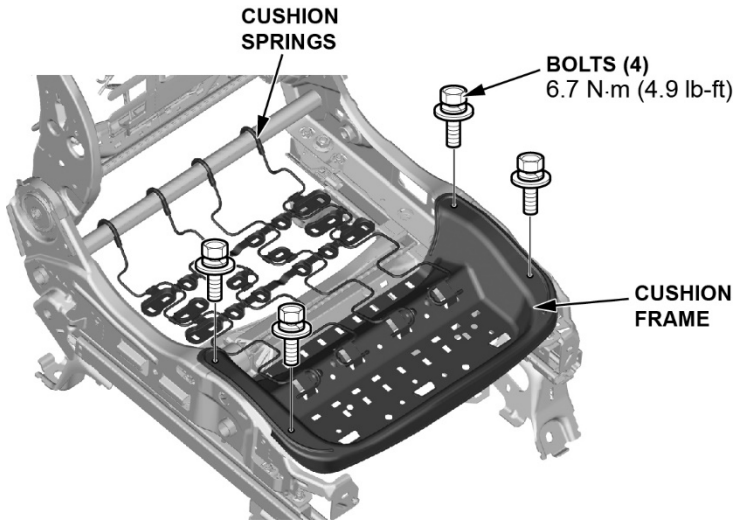


12. Disconnect the 4 connectors.



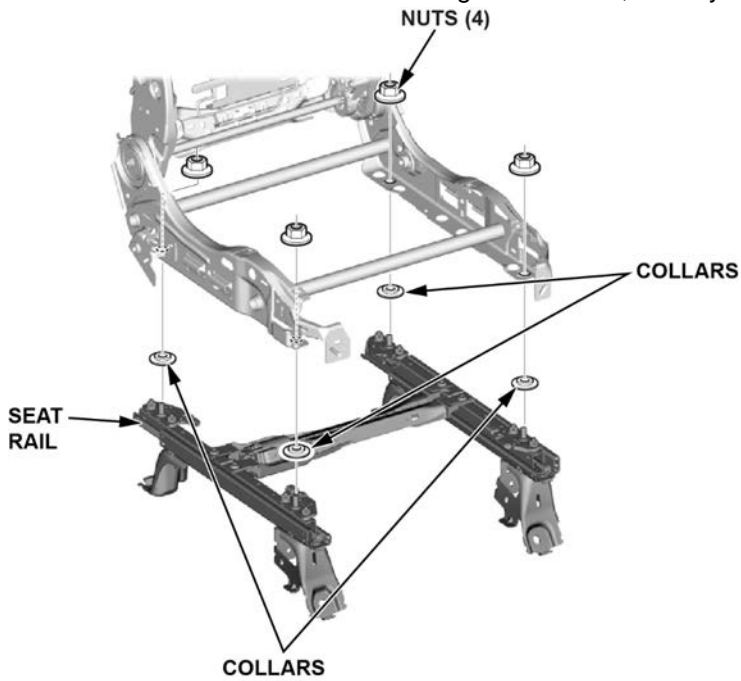
13. Remove the frame pan (4 bolts).

NOTE: Remove the cushion frame and the cushion springs as an assembly.



14. Adjust the trim accordingly to expose the seat rail nuts, then remove the nuts.

NOTE: Note the location of the bushings and collars, as they need to be reassembled in the same orientation.



15. Remove the seat rail.

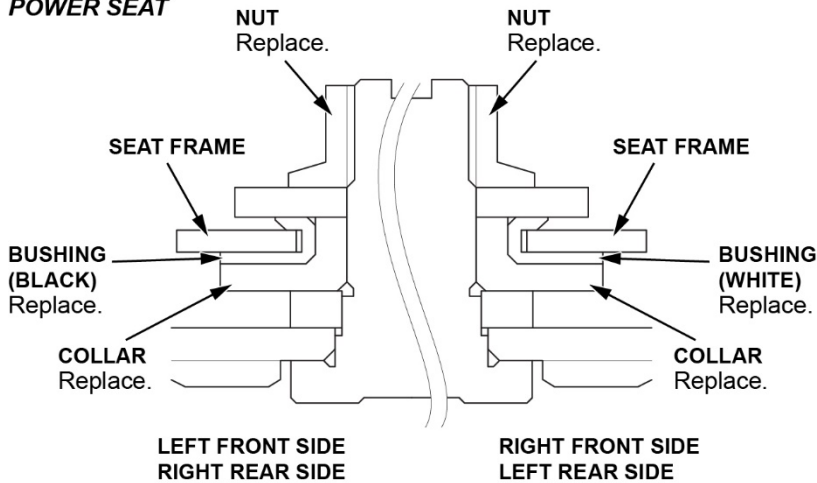
16. Transfer all components onto the new seat rail.

17. Install all remaining parts in the reverse order of removal.

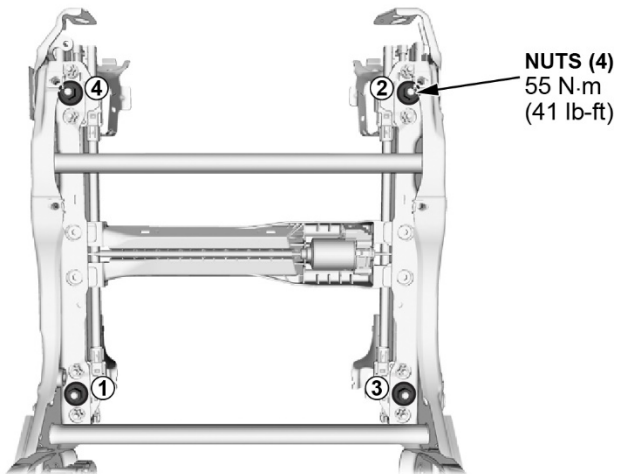
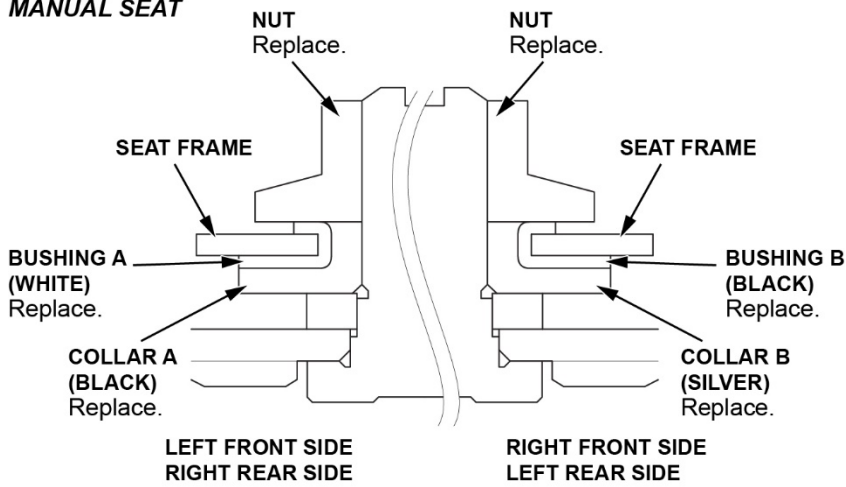
NOTE:

- Make sure to reinstall the bushings and collars as shown.
- Tighten the nuts in the numbered sequence shown.

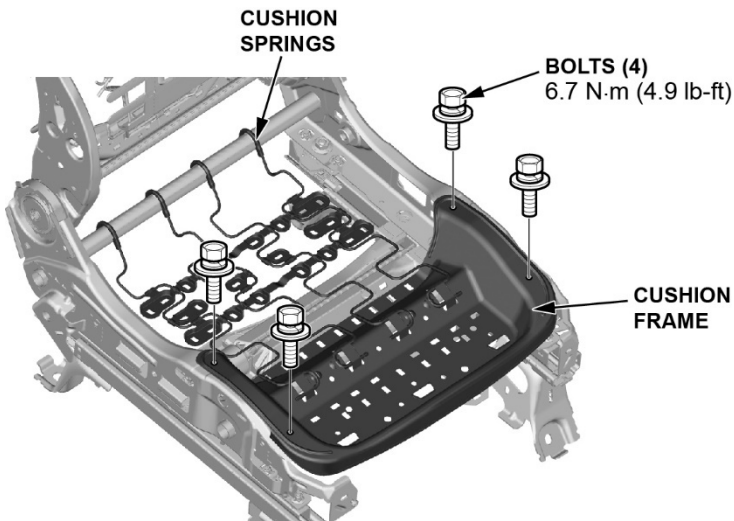
POWER SEAT



MANUAL SEAT



18. Install the pan and torque bolts to **6.7 N·m (4.9 lb-ft)**.

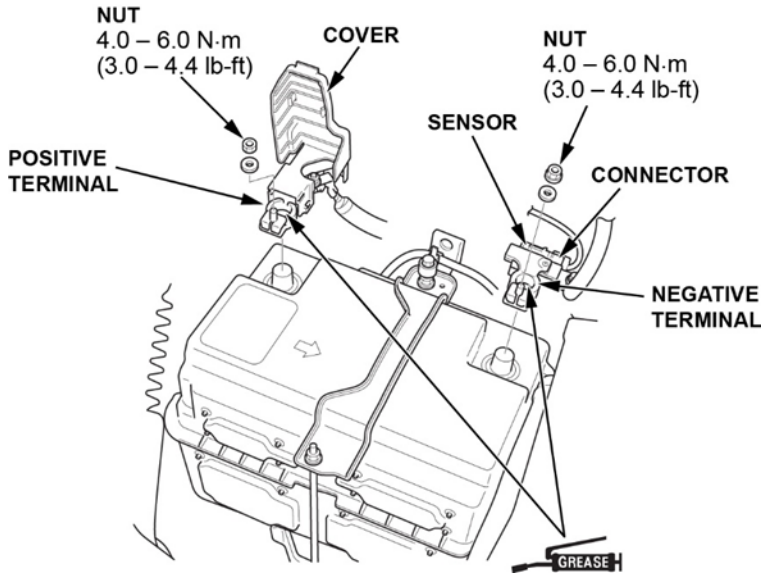


19. Install all parts in the reverse order of removal.

20. Install the seat back into the vehicle, reconnect all connections.

21. Connect the negative terminal to the 12-volt battery.

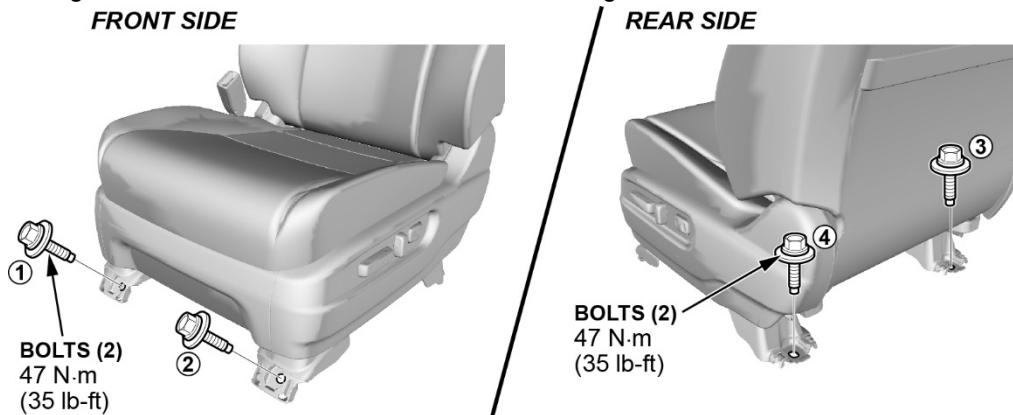
NOTE: To protect the 12-volt battery sensor connector from damage, do not hold it when installing the negative terminal.



22. Torque the seat to **47 N·m (35 lb-ft)**.

NOTE:

- Tighten the bolts by hand first, then tighten to the specified torque.
- Tighten the seat mounting bolts to the specified torque in the sequence shown. Slide the seat all the way back and tighten 1 and 2, and then slide it forward and tighten 3 and 4.



23. Do the seat weight sensor initialization.

NOTE:

- When you replace or remove the front passenger's weight sensor, the front passenger's seat frame, or the front passenger's seat rail, initialize the front passenger's weight sensor with the HDS.

1. Connect the i-HDS.
2. Initialize the Front Passenger's Weight Sensor.

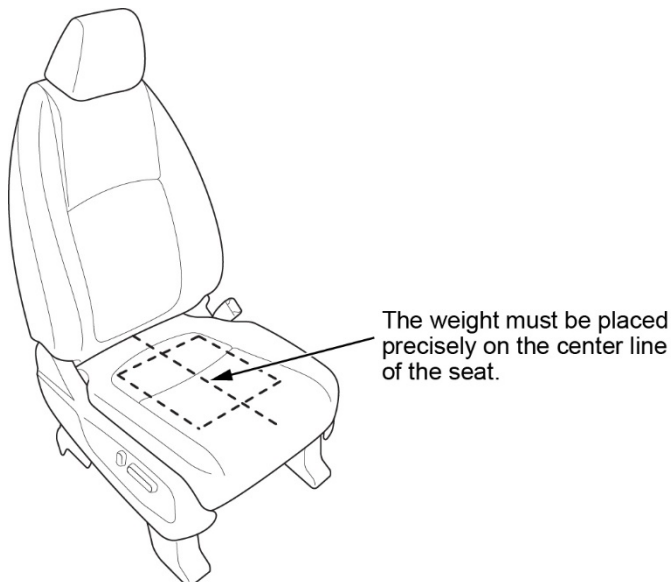
NOTE:

- Before doing this procedure, clear the DTCs.
- Before doing this procedure, make sure the 12-volt battery is fully charged.
- Make sure the front passenger's seat and all components of the seat are correctly installed.
- Make sure nothing is on the front passenger's seat, including aftermarket seat covers or mats.
- Make sure there is nothing in the front passenger's seat-back pocket.

- Make sure the vehicle is on level ground.
 - When you perform this procedure, the vehicle temperature must be between 16 - 34°C (61 - 93 °F).
 - When the vehicle is exposed to intense cold or intense heat, move the vehicle inside, open the windows and sunroof (if equipped) and perform this procedure after one hour or more.
 - Do not expose the front passenger's seat to sudden temperature changes.
 - Do not use the A/C and the heater.
 - Do not touch the front passenger's seat and keep the vehicle stationary during this procedure.
 - Do not attach the seat belt tongue into the buckle.
 - If possible, do all of the above procedures inside.
3. Position the front passenger's seat all the way rearward and lowermost (if equipped with the height adjuster), then adjust the seat back to the forwardmost position.
NOTE: Do not move the seat from this position until the initialization is completed.
 4. From SRS of the System Selection Menu, select SRS/SWS, then Adjustment. In the Adjustment, select SWS Initialization. Follow the prompts until the front passenger's weight sensor initialization has been completed.
 5. From SRS of the System Selection Menu, select SRS/SWS, then Data List. In the Data List, select FRONT PASSENGER'S WEIGHT. The weight (T0) of the front passenger's seat is displayed by the HDS. Write this measurement down as "T0" on a piece of paper.
 - If the reading on the HDS (T0) is within ± 0.5 kg (± 1.1 lbs), go to step 6.
 - If the reading on the HDS (T0) is at or not within ± 0.5 kg (± 1.1 lbs), do the following and repeat the procedure from step 3.
 - Confirm that the seat has no interference with surrounding components.
 - Remove the front passenger's weight sensors (if they were not reinstalled), reinstall them, then repeat this procedure from step 3.
 - If after reinstalling the front passenger's weight sensors, the HDS (T0) is still at or not within ± 0.5 kg (± 1.1 lbs), replace the front passenger's weight sensors, then repeat this procedure from the beginning.
 6. Prepare a weight between 10 kg (22 lbs) – 20 kg (44 lbs) then measure and note its actual weight (M) with a weight scale.

NOTE:

- The accuracy of the weight scale must be within 1 kg (2 lbs).
 - The weight must be uniform in shape and size to allow precise placement on the seat.
7. Precisely place the prepared weight on the center of the front passenger's seat as shown.



8. From the Data List, select FRONT PASSENGER'S WEIGHT. The weight (T) of the front passenger's seat is displayed by the HDS. Write this measurement down as "T" on a piece of paper.

9. Calculate the variance between the weight measured by the weight scale (M) and the HDS (T) with the formula.

$$\text{Variance} = (T) - (M)$$

T: Weight measured by the HDS with the weight on the seat.

M: Weight measured by the weight scale

- If the variance is within ± 3.3 kg (± 7.3 lbs), initialization is complete. Go to the next step.
- If the variance is at or not within ± 3.3 kg (± 7.3 lbs), do the following and repeat the procedure from step 3.
 - Confirm that the seat has no interference with surrounding components.
 - Confirm that the weight was placed precisely in the center of the seat.
 - Remove the front passenger's weight sensors, reinstall them, then repeat this procedure from step 3. If the variance is still at or not within ± 3.3 kg (± 7.3 lbs), replace the front passenger's weight sensors (if they were not replaced), then repeat this procedure from step 3.

24. Turn the vehicle to the OFF (LOCK) mode.