

October 7, 2024

Version 7

Safety Recall: 2020-22 Odyssey Seat Weight Sensor (DTC U3000-49)

Supersedes 24-020, dated July 26, 2024, to revise the information.

AFFECTED VEHICLES

Year	Model	Trim Level	VIN Range
2020-22	Odyssey	ALL	Check the iN VIN status for eligibility.

REVISION SUMMARY

This bulletin has been extensively revised. American Honda recommends reviewing this bulletin in its entirety.

BACKGROUND

Affected vehicles may be equipped with seat weight sensors that are not built to proper specifications. Improperly built sensors could lead to cracking and/or a short circuit of the sensor, resulting in the illumination of the SRS warning light and the passenger airbag indicator remaining OFF. In certain collisions, these seat weight sensors may cause improper deployment of the front passenger airbags, increasing the risk of injury.

CUSTOMER NOTIFICATION

Owners of the affected vehicles will be sent a notification of this campaign. Do an iN VIN status inquiry to make sure the vehicle is shown as eligible. Some vehicles affected by this campaign may be in your new or used vehicle inventory.

Failure to repair a vehicle subject to a recall or campaign may subject your dealership to claims or lawsuits from the client and/or anyone else harmed as a result of such failure. To verify if a vehicle in inventory is affected, do a VIN status inquiry before selling it.

CORRECTIVE ACTION

Replace the seat weight sensors.

WARRANTY CLAIM INFORMATION

For repairs on or after October 7, 2024, you must use the warranty claim information with Template ID C.

For inspection or repairs prior to October 7, 2024, go to page 2.

Operation Number	Description	Flat Rate Time	Defect Code	Symptom Code	Template ID	Failed Part Number
7491E4	Replace the seat weight sensors - power seat (includes seat calibration and DTC clear).	0.8 hr	6XW00	UHA00	A24020C	81201-THR-A01

Skill Level: Repair Technician

CUSTOMER INFORMATION: The information in this bulletin is intended for use only by skilled technicians who have the proper tools, equipment, and training to correctly and safely maintain your vehicle. These procedures should not be attempted by "do-it-yourselfers," and you should not assume this bulletin applies to your vehicle, or that your vehicle has the condition described. To determine whether this information applies, contact an authorized Honda automobile dealer.

Seat Weight Sensor Kit Serial Number

Enter the Seat Weight Sensor Kit serial number from the Seat Weight Sensor Kit label into the Replacement Serial Number field of the Parts Information section of the warranty claim.

NOTE:

- The Seat Weight Sensor Kit label should be affixed to the repair order by the technician.
- The claim may be rejected if a valid serial number is not included.

Parts Information						
Failed Part No. •				Failed Part Description •		
Replacement Serial No.						
Item	Replacement Part No. •	Quantity •	Unit Price	Unit Total	Description	
1						Delete
2						Delete
3						Delete
4						Delete
5						Delete
More >						
Materials Information						

For repairs before to October 7, 2024, you must use the warranty claim information with Template ID ending in A.

NOTE: If the INSPECTION PROCEDURE determines this Service Bulletin doesn't apply, use template B to submit a warranty claim for the inspection.

Operation Number	Description	Flat Rate Time	Defect Code	Symptom Code	Template ID	Failed Part Number
7491E3	Replace power seat slide (includes inspect and DTC clear)	1.6hr	6XW00	UHA00	A24020A	81201-THR-A01
7495A1	For stored DTCs other than DTC U3000-49 and/or inspection determines this Service Bulletin does not apply.	0.3hr	6XZ00	KIT00	A24020B	81136-T20-A61

PARTS INFORMATION

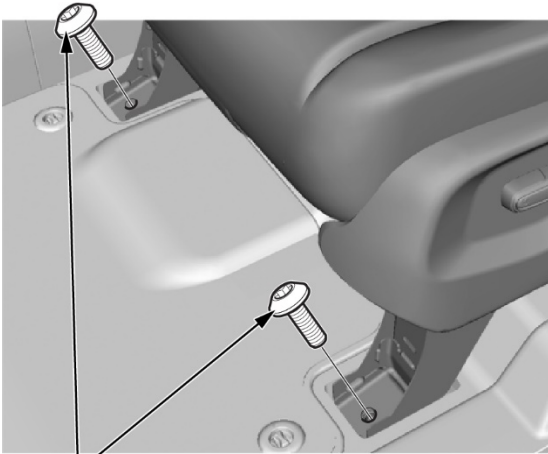
Seat Weight Sensor Kit, P/N: 04945-TBA-A00 has been allocated to dealers in limited quantities. Honda will continue to allocate kits on a weekly basis. Refer to the Parts Information Bulletin 24-0020, *Multi-Model Seat-Weight Sensor Safety Recall Parts Availability*, for details regarding parts availability and ordering.

TOOL INFORMATION

NOTE: These tools are currently only available through the loaner program with the Tool and Equipment Program.

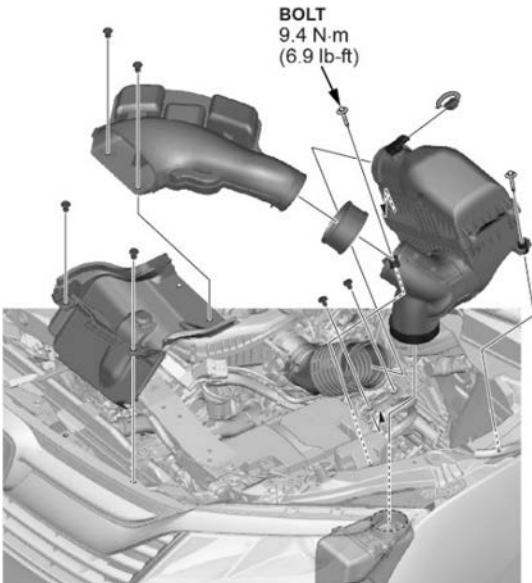
Tool Name	Part Number	Quantity
Snap-On Torque Wrench	07AAA-TVAA400	1
Box End Head (12mm)	07AAA-TVAA100	1
Box End Head (14mm)	07AAA-TVAA200	1
Box End Head (16mm)	07AAA-TG7A300	1
SWS Fixture Guide A	07AAG-TVAA100	1

4. Slide the passenger's seat all the way rearward and remove the mounting bolts.



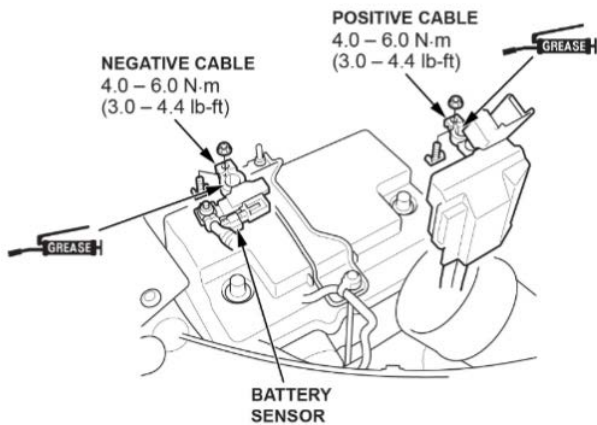
BOLTS
47 N-m (35 lb-ft)

5. Remove the front bulkhead cover and air intake tube.

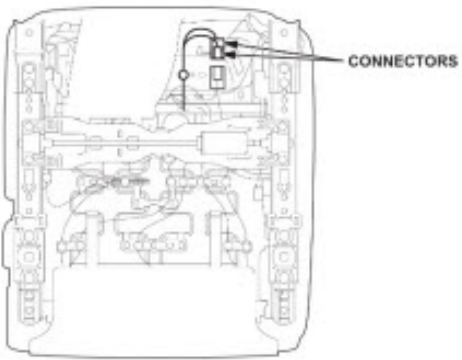


6. Disconnect the negative terminal of the 12-volt battery.

NOTE: To prevent damage to the 12-volt battery sensor connector, do not hold it when removing the negative terminal.

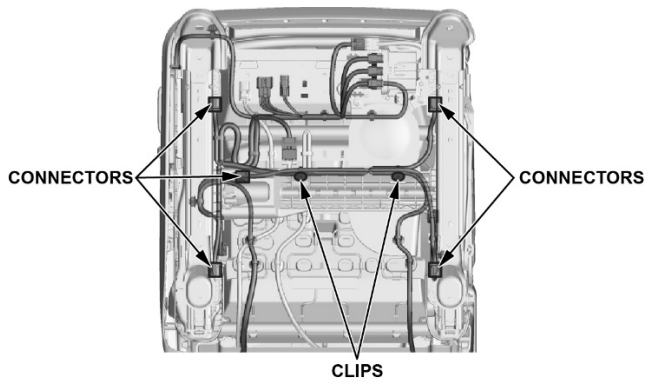


7. Disconnect the connectors.



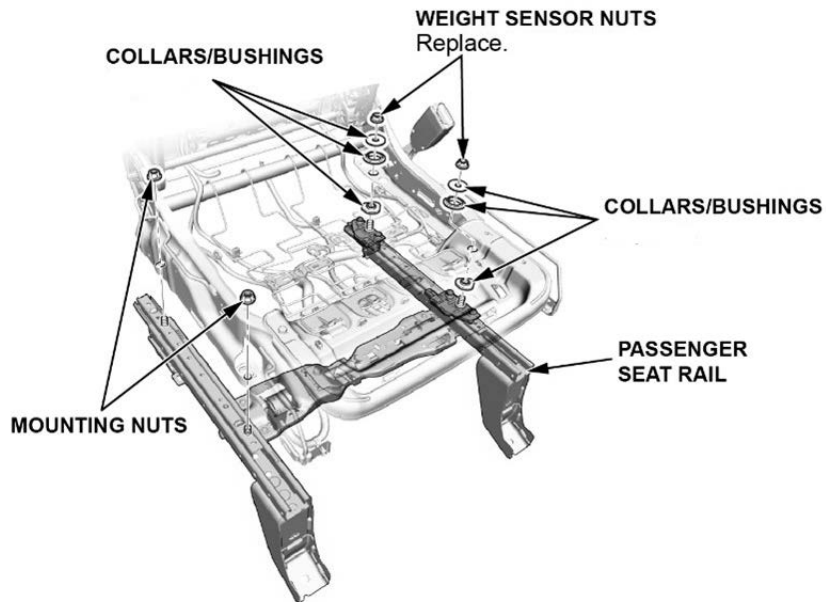
8. Remove the seat from the vehicle, and place it on a suitable clean surface, backrest down.
9. Tilt the seat back and disconnect the seat weight sensor connectors from the seat harness.

NOTE: Take a picture of the harness routing prior to removal for future reference.

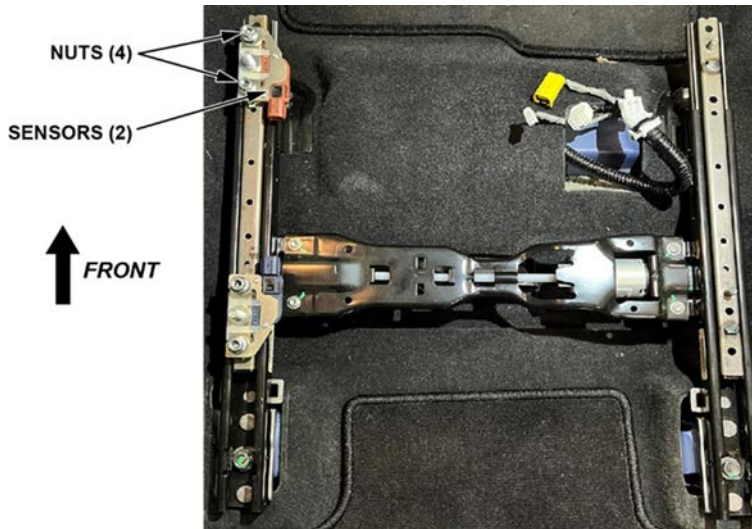


10. Remove the 2 weight sensor nuts, collars, bushings, and mounting nuts, then remove the front passenger's seat rail/front passenger's weight sensors as an assembly.

NOTE: Note the color and location of the collars and the bushings during disassembly.



11. Mount the seat rail in the vehicle with the bolts and remove the 2 seat weight sensors, then discard the nuts and sensors.



12. Loosely install the new seat weight sensors and new nuts in the orientation shown.

SENSOR POSITION 1
LEFT FRONT



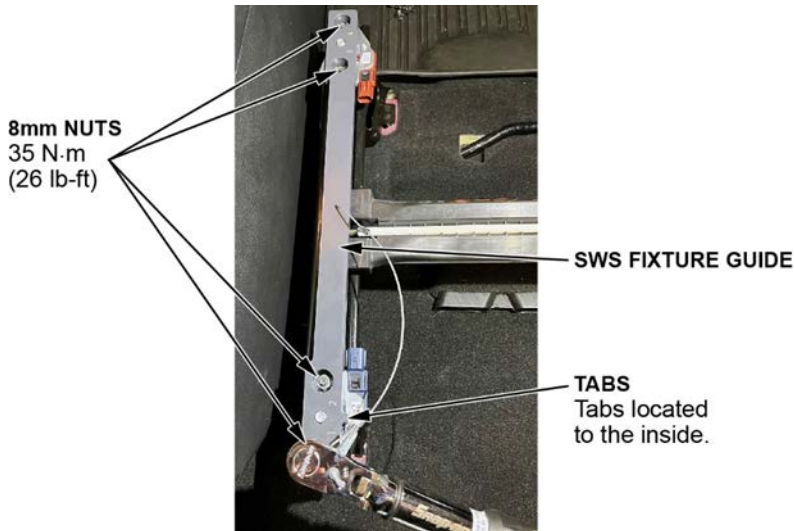
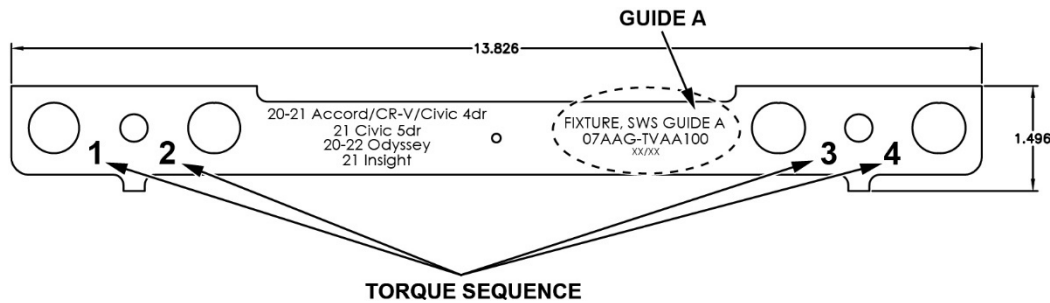
↑
FRONT

SENSOR POSITION 2
LEFT REAR



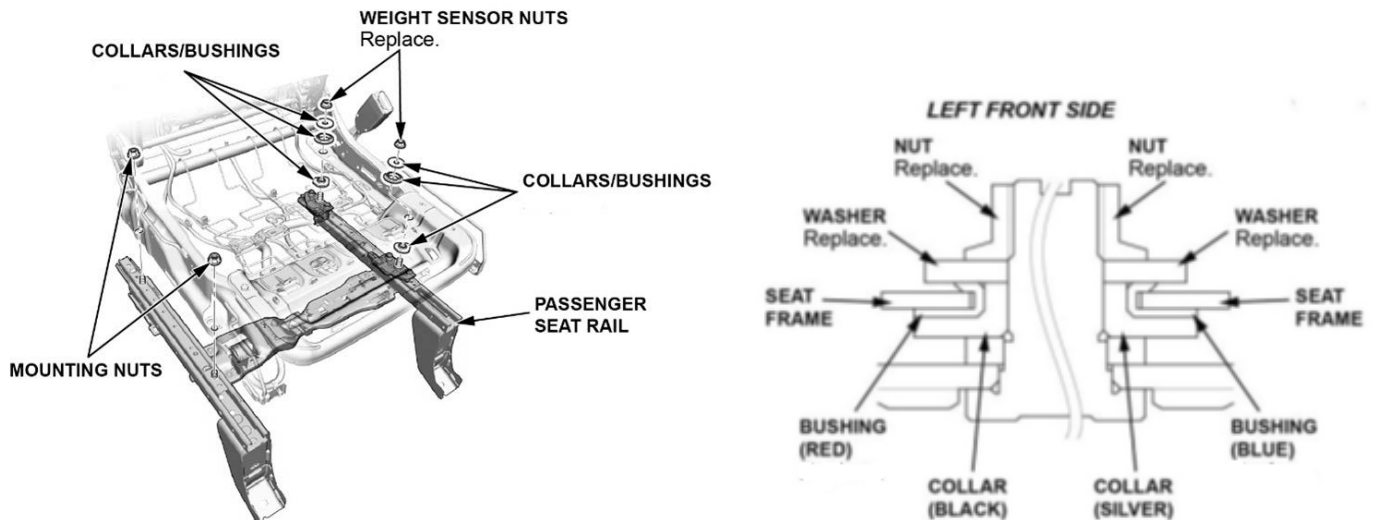
13. Place the SWS Fixture Guide A onto the new seat weight sensors with the tabs located on the inside of the seat track. Using the guide properly seated on the new sensors and torque the nuts to **35 N·m (26 lb-ft)** in the order shown on the **SWS Fixture Guide**.

NOTE: Use the socket provided with the guide.



14. Remove the seat rail from the vehicle. Install the front passenger's seat rail/front passenger's weight sensors as an assembly to the seat frame and loosely tighten the new weight sensor nuts and the mounting nuts.

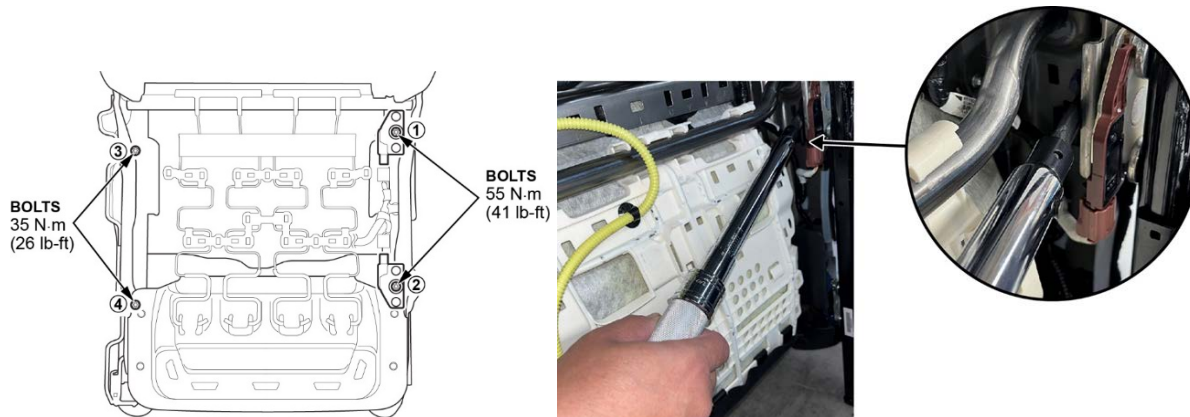
NOTE: The bushings and collars can be identified by their color. Make sure to install the bushings and collars as shown.



15. Tighten the mounting nuts to the specified torque **55 N·m (41 lb-ft)**.

NOTE:

- Tighten the nuts in the numbered sequence shown.
- Use the Snap-On Torque Wrench (07AAA-TVAA400) and box-end head to tighten the seat rail nuts. Install the seat back into the vehicle and connect the connectors.



16. Reinstall all removed parts in the reverse order of removal.

17. Do the Front Passenger's Weight Sensor Initialization ([CLICK HERE](#)).

18. Do the Front Passenger's Weight Sensor Operation Check ([CLICK HERE](#)).

19. Turn the vehicle to the ON mode, and check that the SRS indicator comes on for about **6 seconds** and then goes off.