

December 2, 2024

Version 7

Safety Recall: 2020–22 Multi-Model Seat Weight Sensor

Supersedes 24-038, dated October 18, 2024, to revise the information highlighted in **yellow**.

APPLIES TO

Year	Model	Trim Level	VIN Range
2020–21	Passport	ALL	Check the iN VIN status for eligibility.
2020–22	Pilot	ALL	Check the iN VIN status for eligibility.
2020–21	Ridgeline	ALL	Check the iN VIN status for eligibility.

REVISION SUMMARY

Under REPAIR PROCEDURE, step 12 has additional information; steps 13, 14, and 15 were added.

BACKGROUND

Affected vehicles may be equipped with seat weight sensors not built to proper specifications. Improperly built sensors could lead to cracking and/or a short circuit of the sensor, resulting in the illumination of the SRS warning light and the passenger airbag indicator remaining OFF. In certain collisions, these seat weight sensors may cause improper deployment of the front passenger airbag, increasing the risk of injury.

CUSTOMER NOTIFICATION

Owners of affected vehicles will be sent a notification of this safety recall. Do an iN VIN status inquiry to verify eligibility. Some vehicles affected by this campaign may be in your new or used vehicle inventory.

Failure to repair a vehicle subject to a recall or campaign may subject your dealership to claims or lawsuits from the customer or anyone else harmed as a result of such failure. To see if a vehicle in inventory is affected by this safety recall, do a VIN status inquiry before selling it.

CORRECTIVE ACTION

Replace the seat weight sensors.

CUSTOMER INFORMATION: The information in this bulletin is intended for use only by skilled technicians who have the proper tools, equipment, and training to correctly and safely maintain your vehicle. These procedures should not be attempted by “do-it-yourselfers,” and you should not assume this bulletin applies to your vehicle, or that your vehicle has the condition described. To determine whether this information applies, contact an authorized Honda automobile dealer.

WARRANTY CLAIM INFORMATION

Repairs on or after October 18, 2024, must use the warranty claim information in template IDs ending in D and E.
 For inspection or repairs before October 18, 2024 go to page 3.

Passport – Elite, Touring, EX-L, Pilot – Black, Elite, Touring, EX-L, SE, Ridgeline – Black, RTL-E, RTL

Operation Number	Description	Flat Rate Time	Defect Code	Symptom Code	Template ID	Failed Part Number
7491E4	Replace the seat weight sensors (includes seat calibration and DTC check).	1.5hr	6XW00	OHB00	A24038D	81205-TG7-A32

Passport – Sport, Pilot – EX, LX, Ridgeline - Sport

7491E5	Replace the seat weight sensors (includes seat calibration and DTC check).	1.1hr	6XW00	OHB00	A24038E	81205-TG7-A02
--------	--	-------	-------	-------	---------	---------------

Skill Level: Repair Technician

Seat Weight Sensor Kit Serial Number

Enter the Seat Weight Sensor Kit serial number from the Seat Weight Sensor Kit label into the Replacement Serial Number field of the Parts Information section of the warranty claim.

NOTE:

- This model has two kits. Both kit serial numbers **are required** to be entered.
- The Seat Weight Sensor Kit label should be affixed to the repair order by the technician.
- The claim may be rejected if a valid serial number is not included.

Parts Information

Failed Part No.* Failed Part Description*

Replacement Serial No.

Item	Replacement Part No.*	Quantity*	Unit Price	Unit Total	Description	
1	<input type="text"/>	<input type="text"/>	<input type="text"/>	<input type="text"/>	<input type="text"/>	Delete
2	<input type="text"/>	<input type="text"/>	<input type="text"/>	<input type="text"/>	<input type="text"/>	Delete
3	<input type="text"/>	<input type="text"/>	<input type="text"/>	<input type="text"/>	<input type="text"/>	Delete
4	<input type="text"/>	<input type="text"/>	<input type="text"/>	<input type="text"/>	<input type="text"/>	Delete
5	<input type="text"/>	<input type="text"/>	<input type="text"/>	<input type="text"/>	<input type="text"/>	Delete

[More >](#)

Materials Information

Repairs **before October 18, 2024**, must use the warranty claim information with Template IDs ending in A, B and C.

NOTE: If the INSPECTION PROCEDURE determines this Service Bulletin does not apply, use template C to submit a warranty claim for the inspection.

Passport – Elite, Touring, EX-L, Pilot – Black, Elite, Touring, EX-L, SE, Ridgeline – Black, RTL-E, RTL

Operation Number	Description	Flat Rate Time	Defect Code	Symptom Code	Template ID	Failed Part Number
7491E3	Replace the power seat rail assembly (includes inspection and DTC clear).	1.6 hr	6XW00	OHB00	A24038A	81205-TG7-A32

Passport – Sport, Pilot – EX, LX, Ridgeline - Sport

8521K5	Replace the manual seat rail assembly (includes inspection and DTC clear).	1.2 hr	6XW00	OHB00	A24038B	81205-TG7-A02
--------	--	--------	-------	-------	---------	---------------

Inspection Only

7495A1	For stored DTCs other than DTC U3000-49 and/or inspection determines this Service Bulletin does not apply.	0.3 hr	6XZ00	KIT00	A24038C	81136-T20-A61
--------	--	--------	-------	-------	---------	---------------

PARTS INFORMATION

Part Name	Part Number	Quantity
Seat Weight Sensor Kit	04945-T5R-A00	1

Seat Weight Sensor Kit, P/N 04945-T5R-A00 has been allocated to dealers in limited quantities, Honda will continue to allocate kits on a weekly basis. Refer to the Parts Information Bulletin 24-0020, Multi-Model Seat-Weight Sensor Safety Recall parts Availability, for details regarding parts availability and ordering.

TOOL INFORMATION

NOTE: Tools will be made available and auto-shipped to all dealers at a later date.

Tool Name	Part Number	Quantity
Snap-on Torque Wrench	07AAA-TVAA400	1
Head, Box End (12mm)	07AAA-TVAA100	1
Head, Box End (14mm)	07AAA-TVAA200	1
Head, Box End (16mm)	07AAA-TG7A300	1
Fixture, SWS Guide B	07AAG-TVAA200	1
Fixture, SWS Guide C	07AAG-TVAA300	1

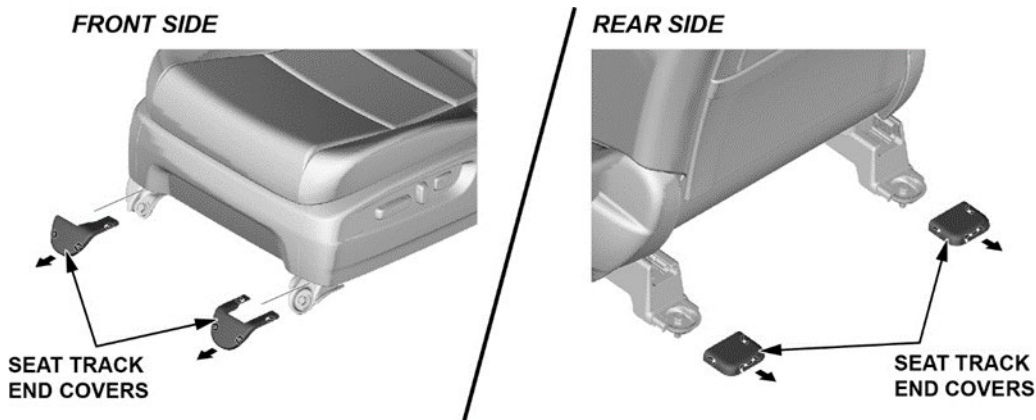
REPAIR PROCEDURE

1. Remove the label from the new seat weight sensor box and affix it to the repair order.

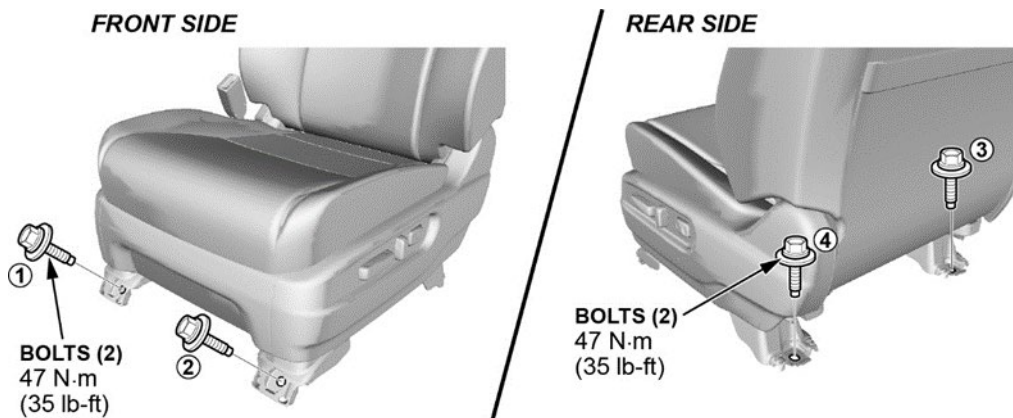
NOTE: This model has two kits and requires both kit serial numbers.



2. Remove passenger seat foot covers and seat mounting bolts.

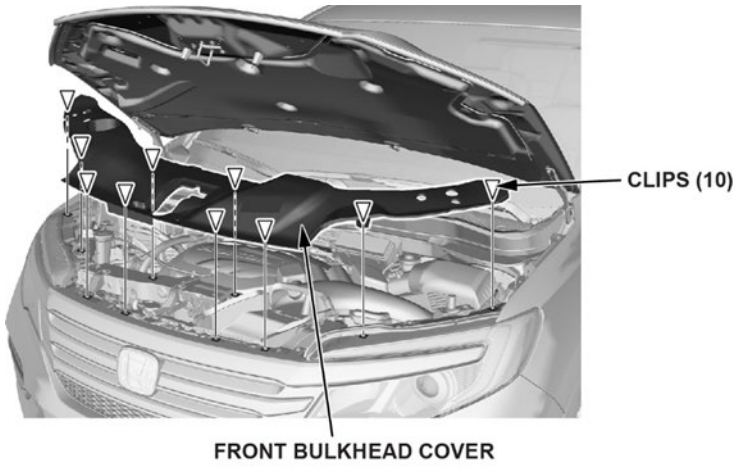


3. Set the passenger's seat cushion to a full tilt-up position.
4. Move the front passenger's seat to the most forward position and remove the rear mounting bolts.

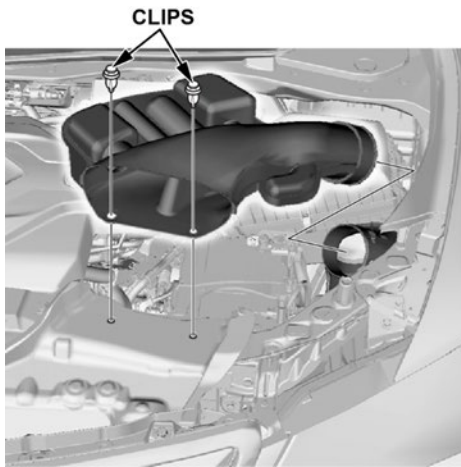


5. Move the front passenger's seat to the rearmost position and remove the front mounting bolts.

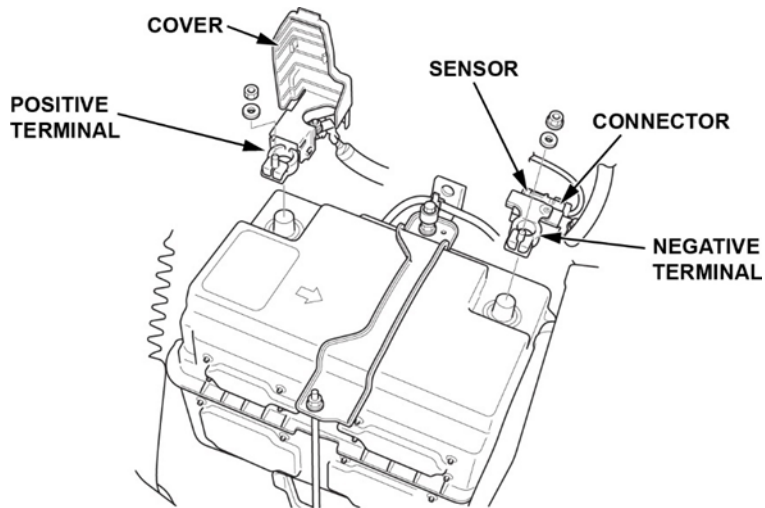
6. Remove the front bulkhead cover.



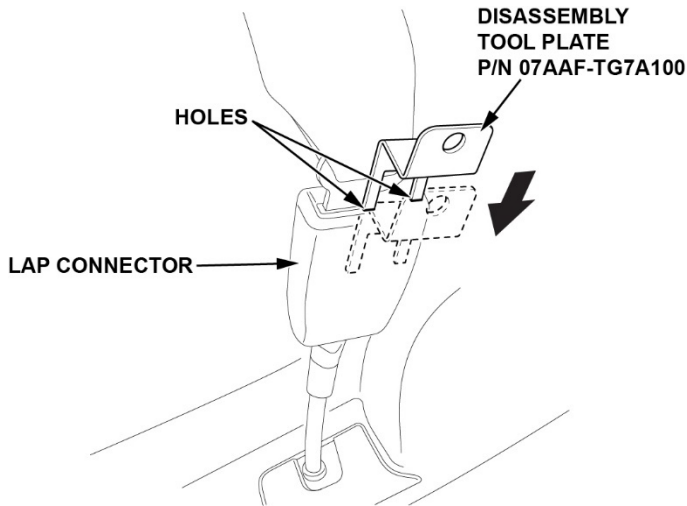
7. Remove the air intake tube.



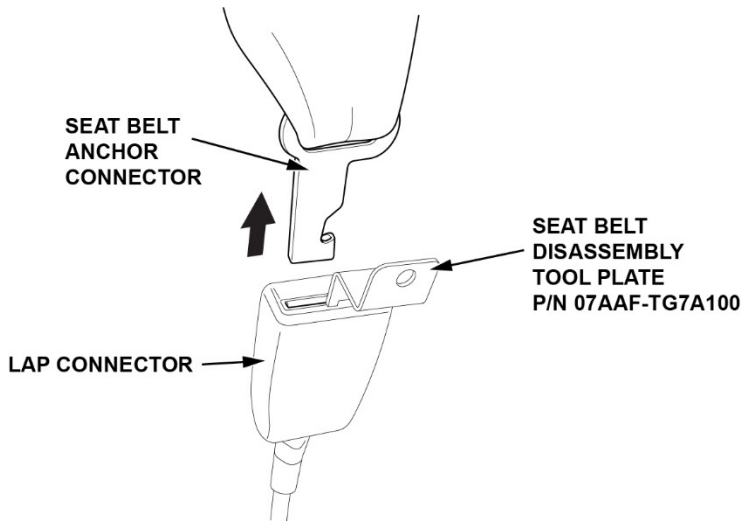
8. Disconnect the negative terminal of the 12-volt battery.



9. Release the seat belt from the pretensioner.
 1. Insert the seat belt disassembly tool plate into the holes in the top connector.
 2. Push the seat belt disassembly tool plate.



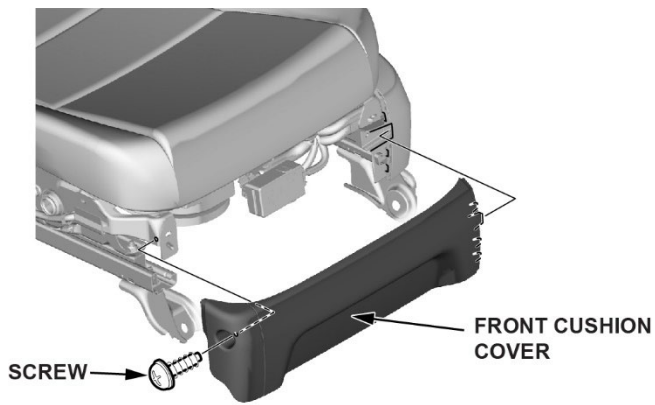
3. Release the front seat belt anchor connector upward from the lap connector.
 4. Remove the seat belt disassembly tool plate.



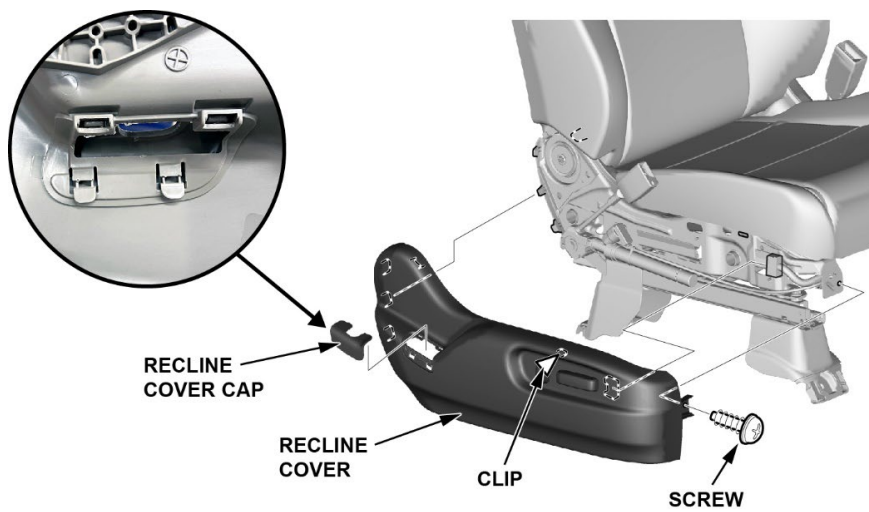
10. Lift the seat and disconnect any remaining connectors.
11. Remove the passenger's seat and place it on a clean, flat surface.

12. With Power Seat:

1. Remove the front cushion cover.

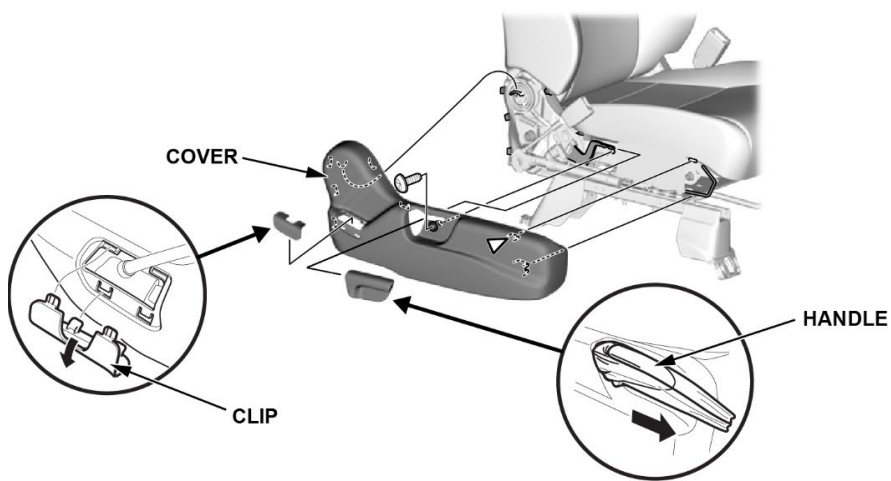


2. Remove the front recline cover cap, then remove the recline cover.



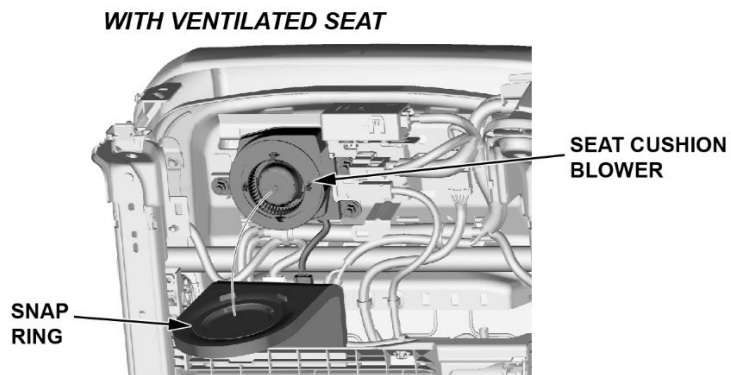
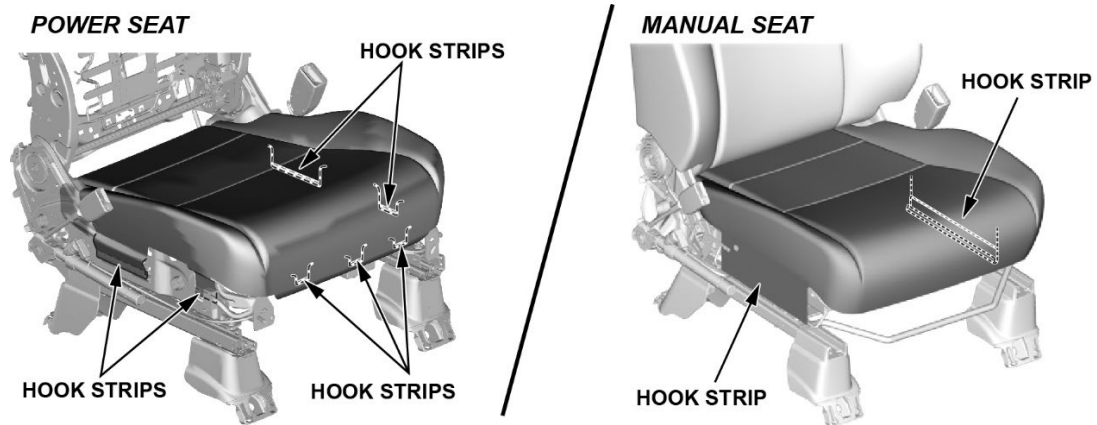
With Manual Seat:

1. Remove the front seat height adjuster handle cover.

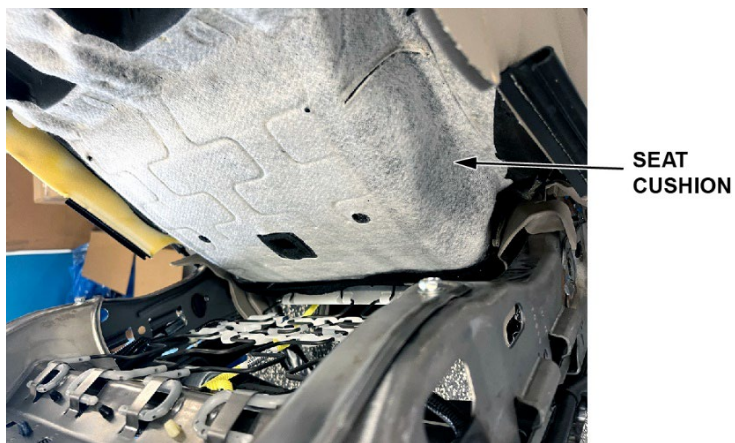


13. Release the hook strips from the seat cushion cover.

NOTE: With a ventilated seat, release the snap ring from the seat cushion blower.

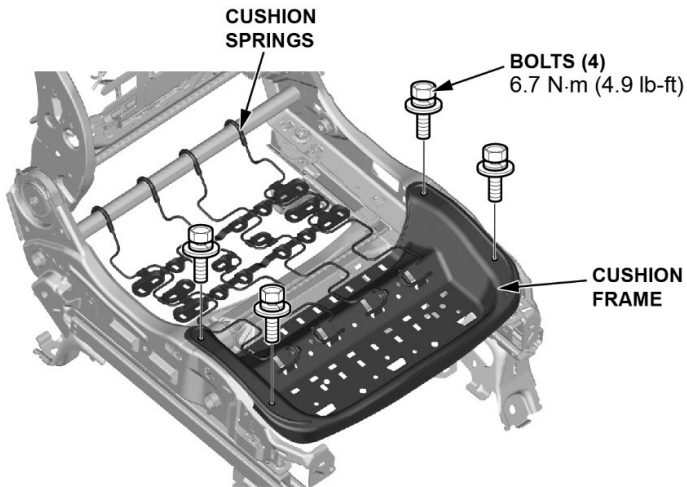


14. Gently separate the seat cushion from the seat frame.



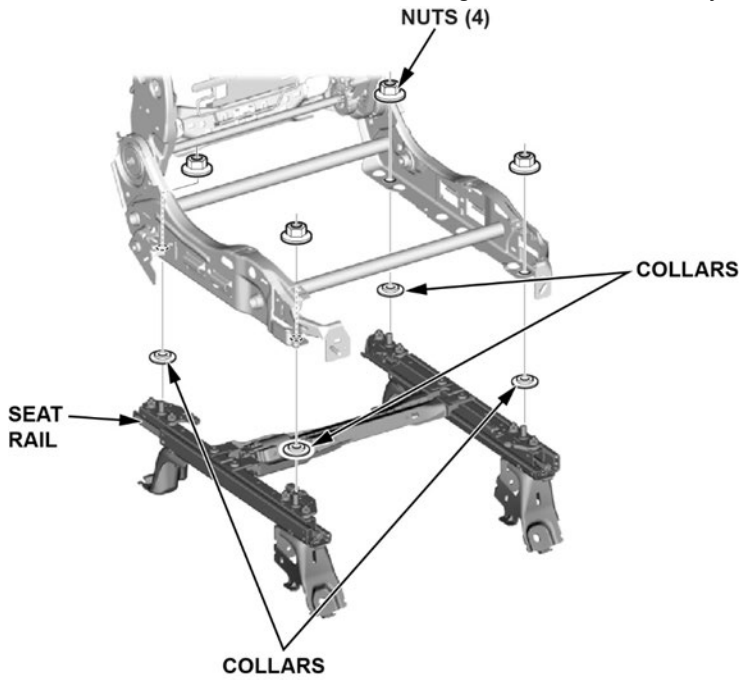
15. Remove the four bolts and cushion frame.

NOTE: Remove the cushion frame and the cushion springs as an assembly.



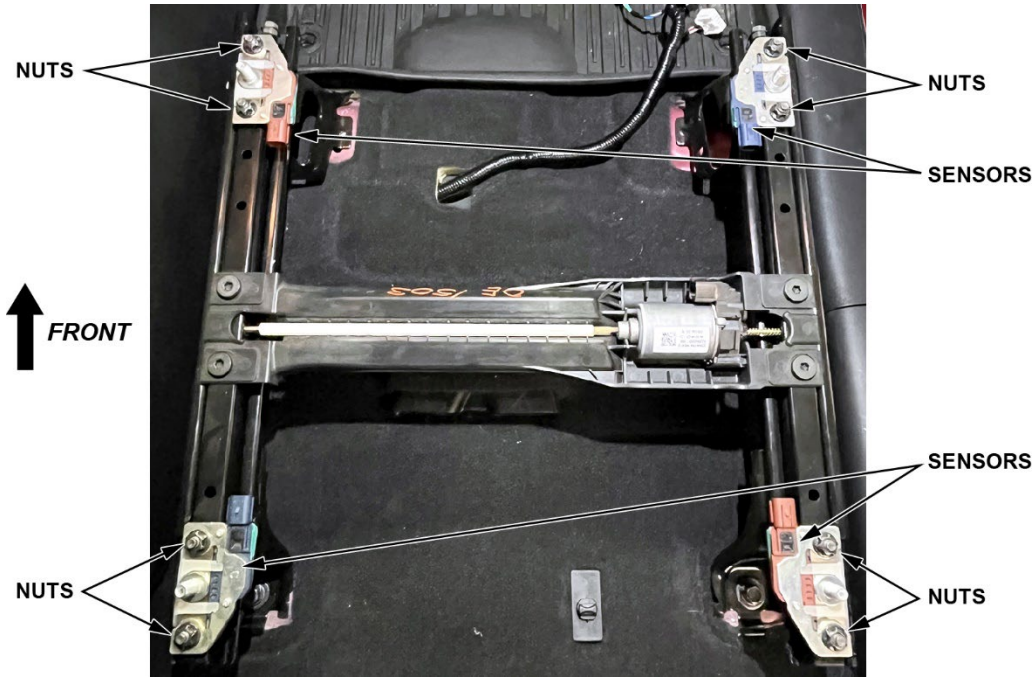
16. Using the torque wrench kit, remove the nuts.

NOTE: Note the location of the bushings and collars, as they need to be reassembled in the same orientation.



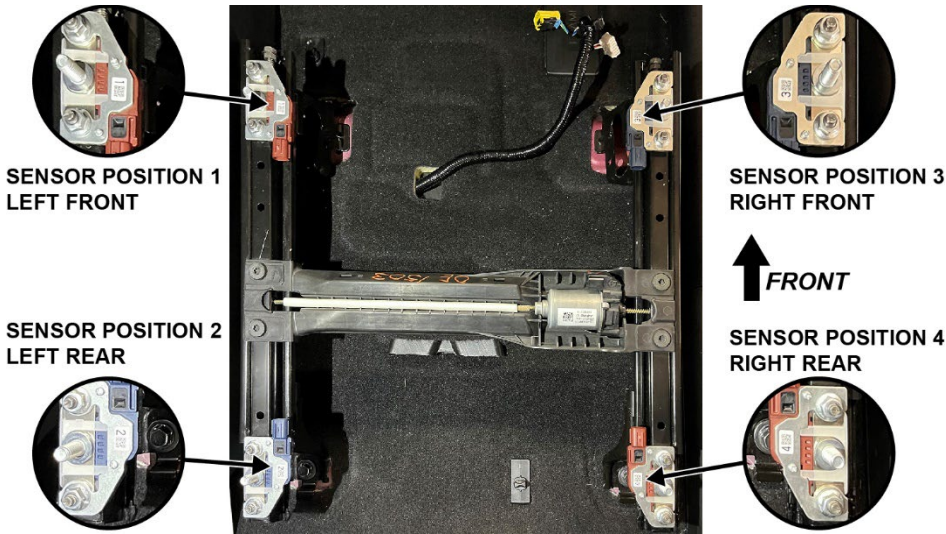
17. Remove the seat rail.

18. Mount the seat rail in the vehicle with the bolts and remove the 4 seat weight sensors, then discard the nuts and sensors.



19. Install the new sensors and nuts in the orientation shown.

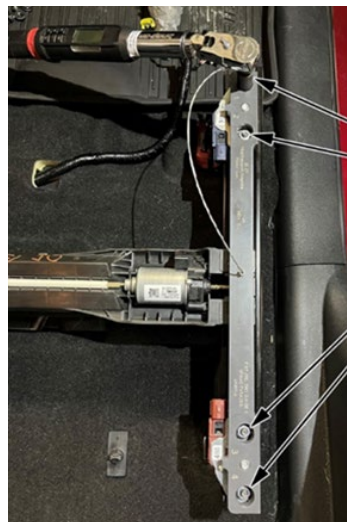
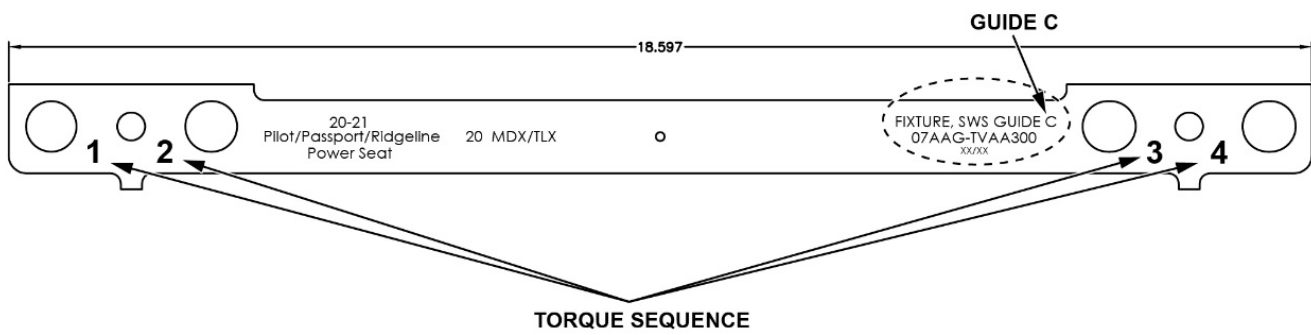
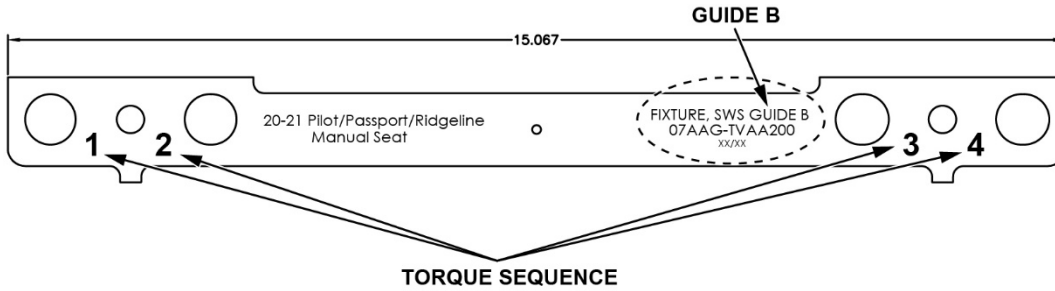
NOTE: The new sensors have a number for installation in the correct location.



20. Place the **SWS Fixture Guide B** or **C** onto the new seat weight sensors with the tabs located on the inside of the seat track. Using the guide properly seated on the new sensors, **torque the nuts to 35 N·m (26 lb-ft) in the order shown on the SWS Fixture Guide.**

NOTE: Use the socket provided with the guide.

- **MANUAL SEAT USE SWS FIXTURE GUIDE B**
- **POWER SEAT USE SWS FIXTURE GUIDE C**



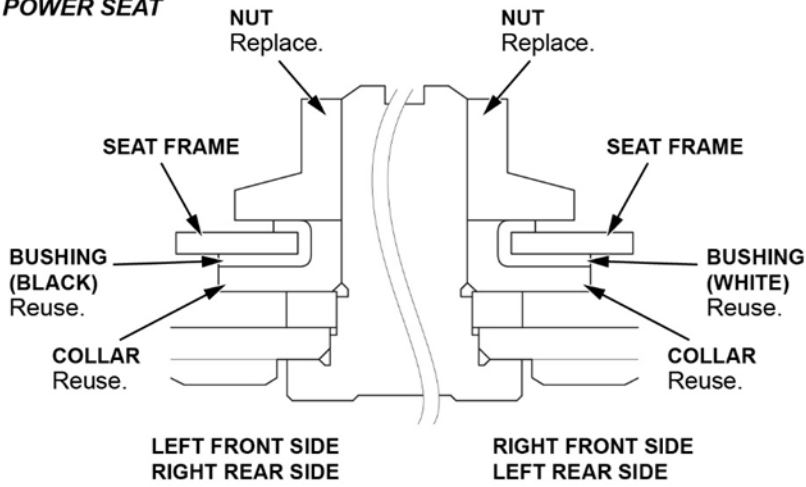
21. Remove the rail out of the vehicle.

22. Mount the rail back on to seat frame using the collars as shown.

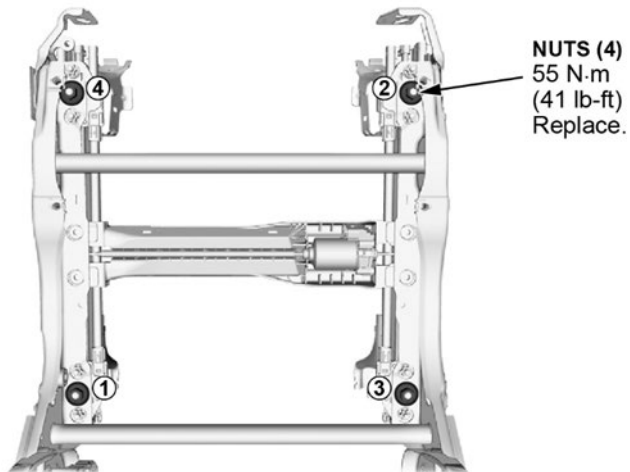
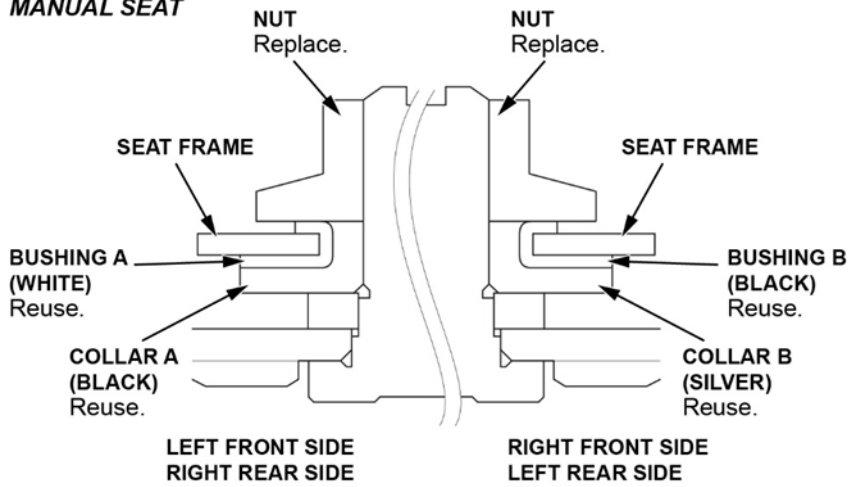
NOTE:

- **Make sure** to install the bushings and collars as shown.
- Tighten the nuts in the numbered sequence shown.

POWER SEAT

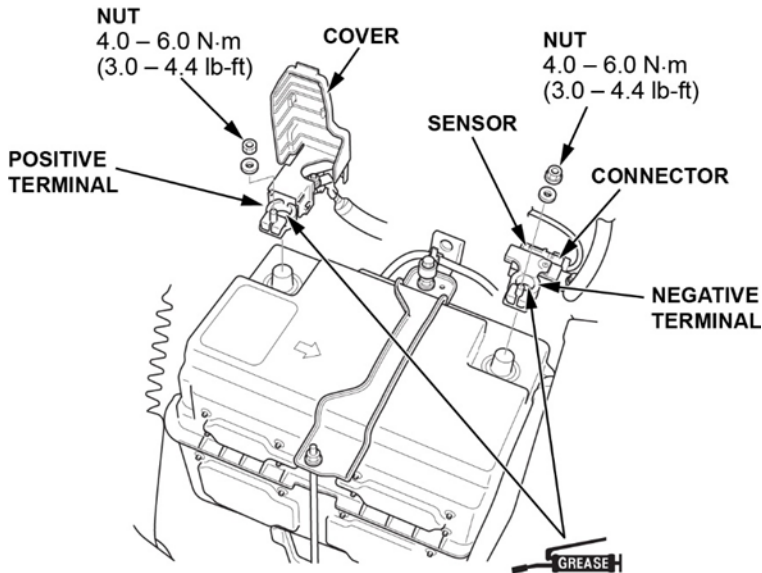


MANUAL SEAT



23. Install all remaining parts in the reverse order of removal.
24. Install all parts in the reverse order of removal.
25. Install the seat back into the vehicle, reconnect all connections.
26. Connect the negative terminal to the 12-volt battery.

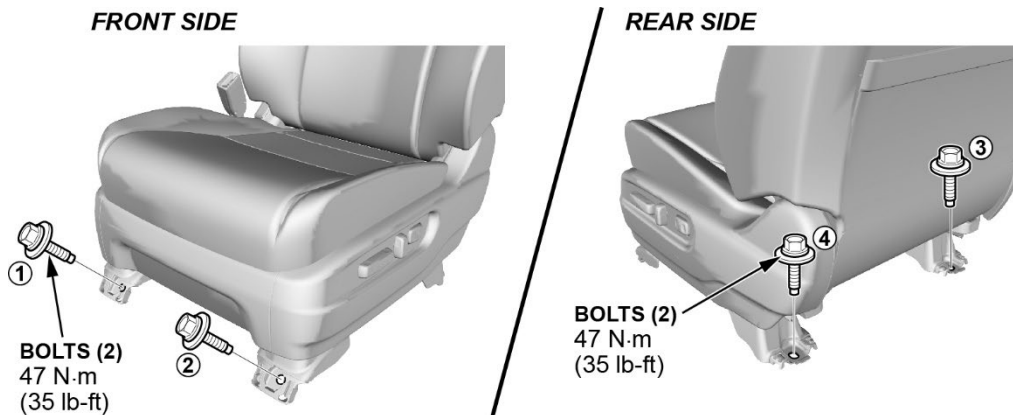
NOTE: To protect the 12-volt battery sensor connector from damage, **do not** hold it when installing the negative terminal.



27. Torque the seat to **47 N·m (35 lb-ft)**.

NOTE:

- Tighten the bolts by hand first, then tighten to the specified torque.
- Tighten the seat mounting bolts to the specified torque in the sequence shown. Slide the seat all the way back and tighten 1 and 2, and then slide it forward and tighten 3 and 4.



28. **Passport ONLY:** Do the seat weight sensor initialization ([CLICK HERE](#)).
29. **Pilot ONLY:** Do the seat weight sensor initialization ([CLICK HERE](#)).
30. **Ridgeline ONLY:** Do the seat weight sensor initialization ([CLICK HERE](#)).
31. Turn the vehicle to the OFF (LOCK) mode.