

October 18, 2024

Version 5

Safety Recall: 2020 MDX Seat Weight Sensor (DTC U3000-49)

Supersedes 24-014, dated October 8, 2024, to revise the information.

APPLIES TO

Year	Model	Trim Level	VIN Range
2020	MDX	ALL	Check the iN VIN status for eligibility.

REVISION SUMMARY

This service bulletin has been revised extensively; American Honda recommends you read the bulletin in its entirety.

BACKGROUND

Affected vehicles may be equipped with seat weight sensors that are not built to proper specifications. Improperly built sensors could lead to cracking and/or a short circuit of the sensor, resulting in the illumination of the SRS warning light and the passenger airbag indicator remaining OFF. In certain collisions, these seat weight sensors may cause improper deployment of the front passenger airbags, increasing the risk of injury.

CLIENT NOTIFICATION

Owners of affected vehicles will be sent a notification of this safety recall. Do an iN VIN status inquiry to verify eligibility. Some vehicles affected by this campaign may be in your new or used vehicle inventory.

Failure to repair a vehicle subject to a recall or campaign may subject your dealership to claims or lawsuits from the client or anyone else harmed as a result of such failure. To see if a vehicle in inventory is affected by this safety recall, do a VIN status inquiry before selling it.

CORRECTIVE ACTION

Replace the seat weight sensors.

CLIENT INFORMATION: The information in this bulletin is intended for use only by skilled technicians who have the proper tools, equipment, and training to correctly and safely maintain your vehicle. These procedures should not be attempted by “do-it-yourselfers,” and you should not assume this bulletin applies to your vehicle, or that your vehicle has the condition described. To determine whether this information applies, contact an authorized Acura automobile dealer.

WARRANTY CLAIM INFORMATION

For repairs on or after October 8, 2024, you must use the warranty claim information with Template ID C.

For inspection or repairs before October 8, 2024, go to page 3

Operation Number	Description	Flat Rate Time	Defect Code	Symptom Code	Template ID	Failed Part Number
7491E4	Replace seat weight sensors (includes seat calibration and DTC clear)	1.2 hr	6XW00	JHC00	B24014C	81205-TZ5-A03

Skill Level: Repair Technician

Seat Weight Sensor Kit Serial Number

Enter the Seat Weight Sensor Kit serial number from the Seat Weight Sensor Kit label into the Replacement Serial Number field of the Parts Information section of the warranty claim.

NOTE:

- This model has 2 kits, both kit serial numbers **are required** to be entered.
- The Seat Weight Sensor Kit label should be affixed to the repair order by the technician.
- The claim may be rejected if a valid serial number is not included.

Parts Information						
Failed Part No.*		Failed Part Description*				
Replacement Serial No.		XXXXXXXXXX-XXXXXXXXXX				
Item	Replacement Part No.*	Quantity*	Unit Price	Unit Total	Description	
1						Delete
2						Delete
3						Delete
4						Delete
5						Delete
More >						
Materials Information						

Repairs **before October 8, 2024**, must use the warranty claim information in templates A, and B.

NOTE: If the INSPECTION PROCEDURE determines this Service Bulletin doesn't apply, use template B to submit a warranty claim for the inspection.

Operation Number	Description	Flat Rate Time	Defect Code	Symptom Code	Template ID	Failed Part Number
7491E3	Replace power seat rail assembly (includes inspect and DTC clear)	1.7HR	6XW00	JHC00	B24014A	81205-TZ5-A03
7495A1	For stored DTCs other than DTC U3000-49 and/or inspection determines this Service Bulletin does not apply.	0.3hr	6XZ00	FIU00	B24014B	81136-T20-A61

PARTS INFORMATION

Seat Weight Sensor Kits, P/N 04945-TZ3-A00 has been allocated to dealers in limited quantities. Acura will continue to allocate kits on a weekly basis. Refer to the Parts Information Bulletin 24-0012, *Multi-Model Seat-Weight Sensor Safety Recall Parts Availability*, for detail regarding parts availability and ordering.

Part Name	Part Number	Quantity
Seat Weight Sensor Kit	04945-TZ3-A00	1

TOOL INFORMATION

NOTE: Tools will be made available and auto-shipped to all dealers.

Tool Name	Tool Number	Quantity
Belt Buckle Tool	07AAF-SNAA150	1
Snap-on Torque Wrench	07AAA-TVAA400	1
Box End Head (16MM)	07AAA-TG7A300	1
SWS Fixture Guide C	07AAG-TVAA300	1

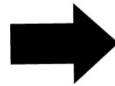
Skill Level: Repair Technician

REPAIR PROCEDURE

NOTE: Make sure you have all tools listed in the TOOL INFORMATION section prior to starting the repair.

1. Remove the label from the new seat weight sensor box and affix it to the repair order.

NOTE: This model has 2 kits, and requires both kits serial numbers.



Repair Order - Customer Copy ACURA
ACURA MOTOR CORPORATION
1600 VENTURE DRIVE
ANN ARBOR MI 48106-0001

DATE TIME	TIME	DATE	TIME	DATE	TIME
DEPT	DEPT	DEPT	DEPT	DEPT	DEPT
YEAR (MM-DD)	YEAR (MM-DD)	YEAR (MM-DD)	YEAR (MM-DD)	YEAR (MM-DD)	YEAR (MM-DD)
MAKE	MAKE	MAKE	MAKE	MAKE	MAKE
MODEL	MODEL	MODEL	MODEL	MODEL	MODEL
TRIM	TRIM	TRIM	TRIM	TRIM	TRIM
CHASSIS NO	CHASSIS NO	CHASSIS NO	CHASSIS NO	CHASSIS NO	CHASSIS NO
VIN	VIN	VIN	VIN	VIN	VIN
DESCRIPTION	DESCRIPTION	DESCRIPTION	DESCRIPTION	DESCRIPTION	DESCRIPTION
DESCRIPTION OF DEFECTS AND PARTS					
<p>*****</p> <p>*****</p> <p>*****</p>					
LABOR	PARTS	DISCOUNT	TAXES	TOTAL	PAID
<p>*****</p> <p>*****</p> <p>*****</p>					
<p>*****</p> <p>*****</p> <p>*****</p>					
<p>*****</p> <p>*****</p> <p>*****</p>					
<p>*****</p> <p>*****</p> <p>*****</p>					
<p>*****</p> <p>*****</p> <p>*****</p>					
<p>*****</p> <p>*****</p> <p>*****</p>					
<p>*****</p> <p>*****</p> <p>*****</p>					
<p>*****</p> <p>*****</p> <p>*****</p>					
<p>*****</p> <p>*****</p> <p>*****</p>					
<p>*****</p> <p>*****</p> <p>*****</p>					
<p>*****</p> <p>*****</p> <p>*****</p>					
<p>*****</p> <p>*****</p> <p>*****</p>					
<p>*****</p> <p>*****</p> <p>*****</p>					
<p>*****</p> <p>*****</p> <p>*****</p>					

John Smith

2. Remove the front passenger's seat from the vehicle and set it on a suitable and clean work surface.

NOTE: *Front Seat Removal and Installation* [Click Here](#)

3. Remove the front passenger's seat recline covers:

NOTE: *Front Seat Recline Cover Removal and Installation* [Click Here](#)

1. Front Seat Recline Cover
2. Reclining Inner Cover

4. Remove the following from the seat frame area:

NOTE: *Front Seat Frame Removal and Installation* [Click Here](#)

1. Pretensioner Outer Cover
2. Front Seat Frame

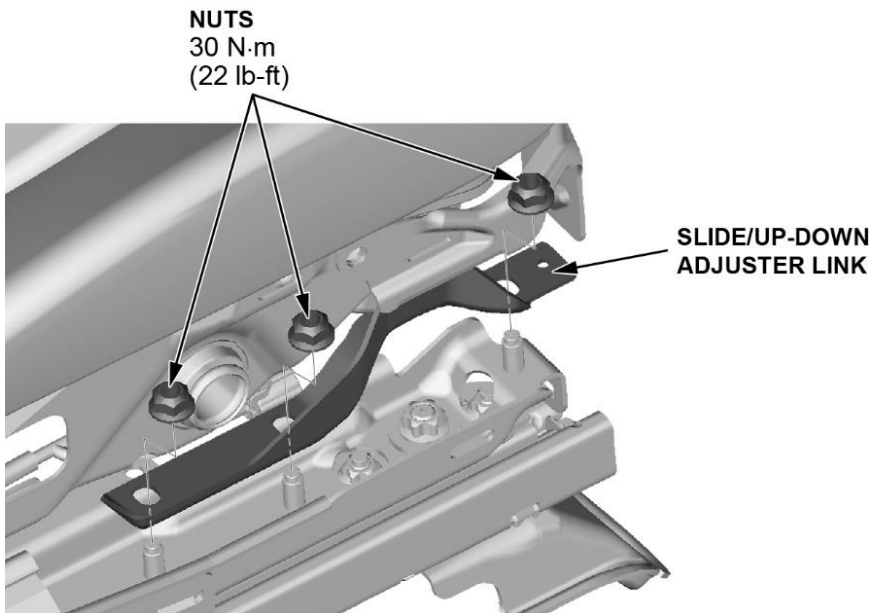
5. Remove the front passenger's seat rail.

NOTE: *Front Seat Rail Removal and Installation* [Click Here](#)

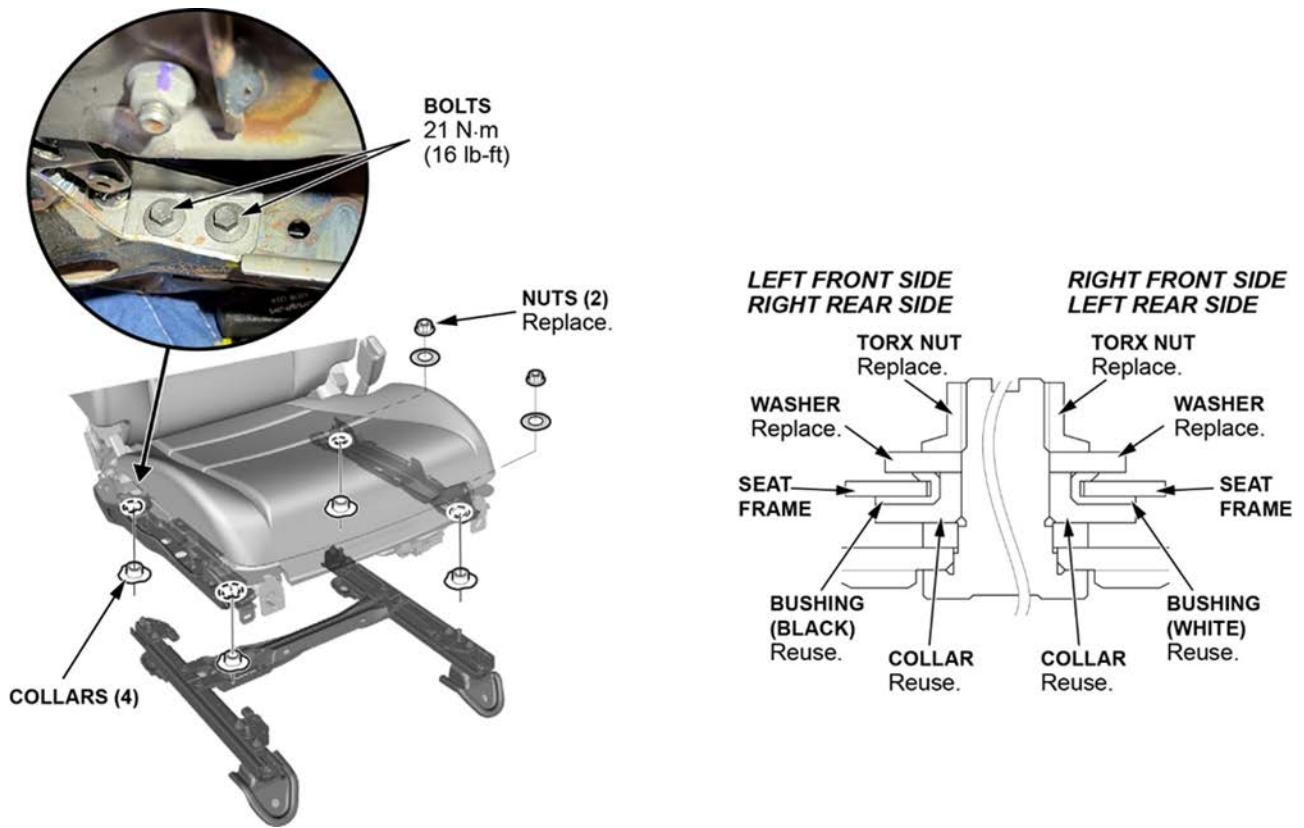
6. Disconnect the seat harness and remove clips (4)



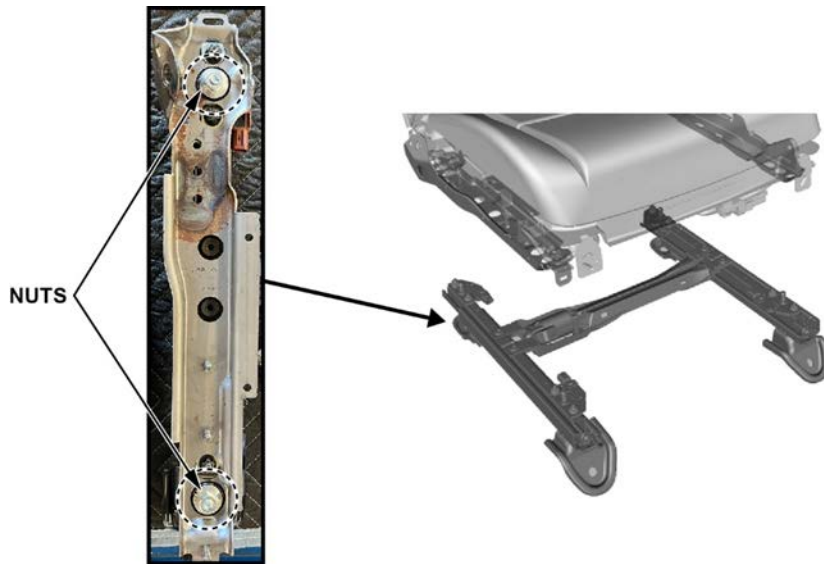
7. Remove the nuts, then move the front passenger's seat slide/up-down adjust link.



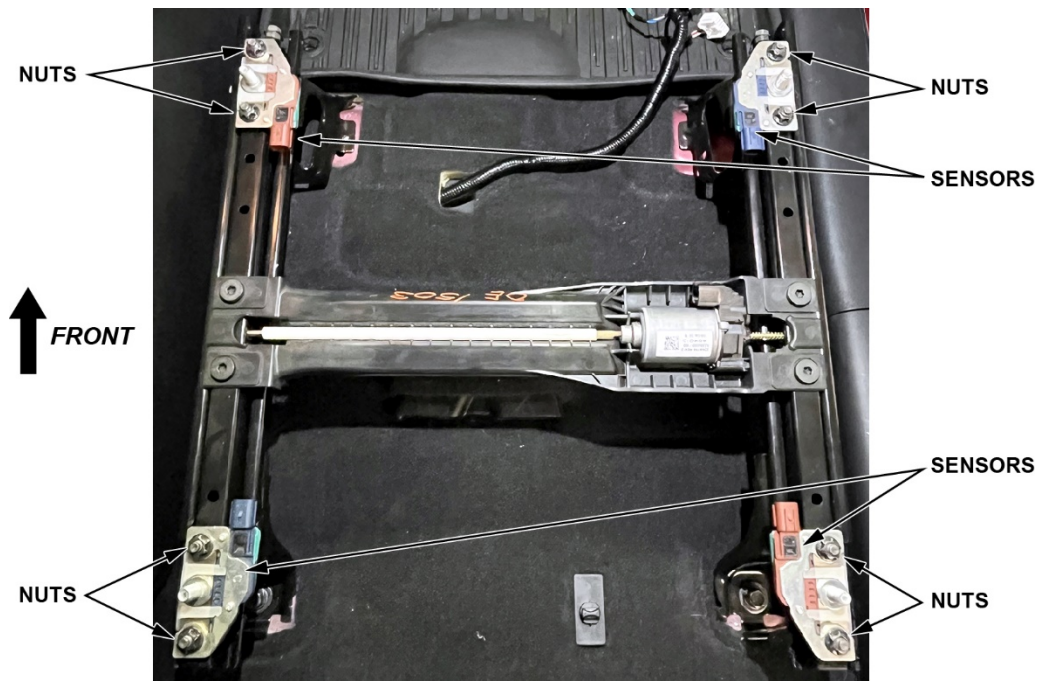
8. Remove the two bolts from the seat bracket and the two nuts, then remove the front passenger's seat rail as an assembly.



9. Remove the right top bracket from the seat rail.

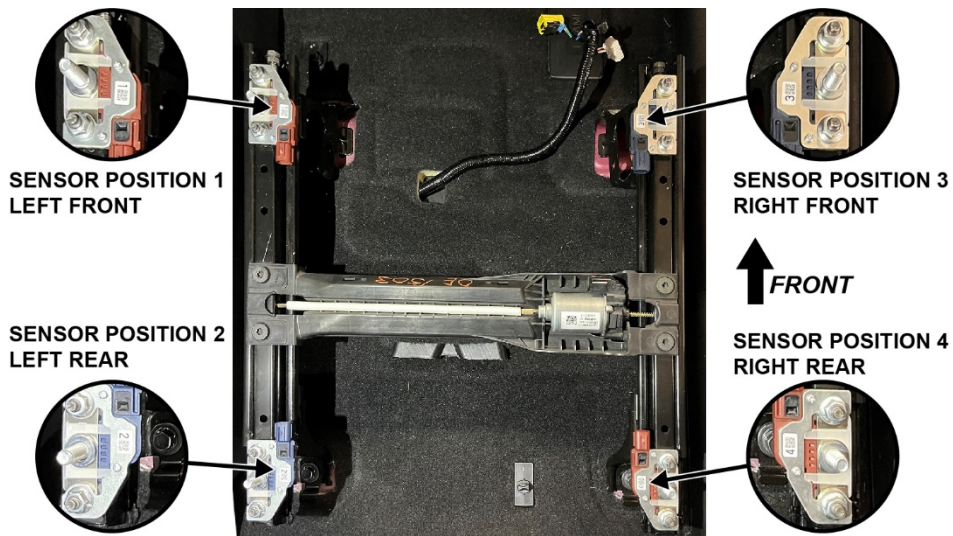


10. Mount the seat rail in the vehicle and remove the 4 seat weight sensors, then discard the nuts and sensors.



11. Install the new sensors and nuts in the orientation as shown.

NOTE: The new sensors have a number for installation in the correct location.

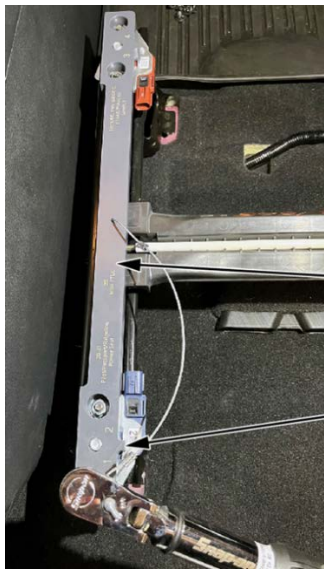


12. Place the **SWS Fixture Guide C** onto the new seat weight sensors with the tabs located to the inside of the seat track. **With the guide properly seated on the new sensors, torque nuts to 35 N·m (26 lb-ft) in the order shown on the SWS Fixture Guide.**

NOTE: Use the socket provided with the guide.

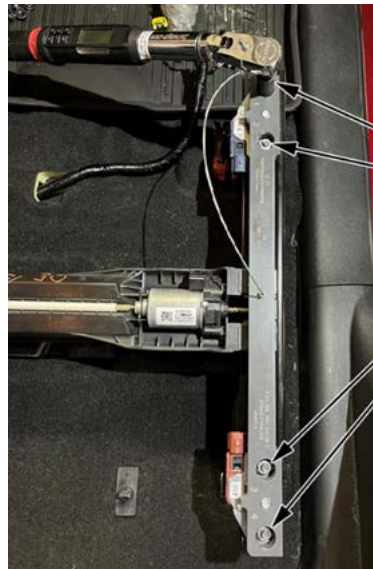


TORQUE SEQUENCE



SWS FIXTURE GUIDE

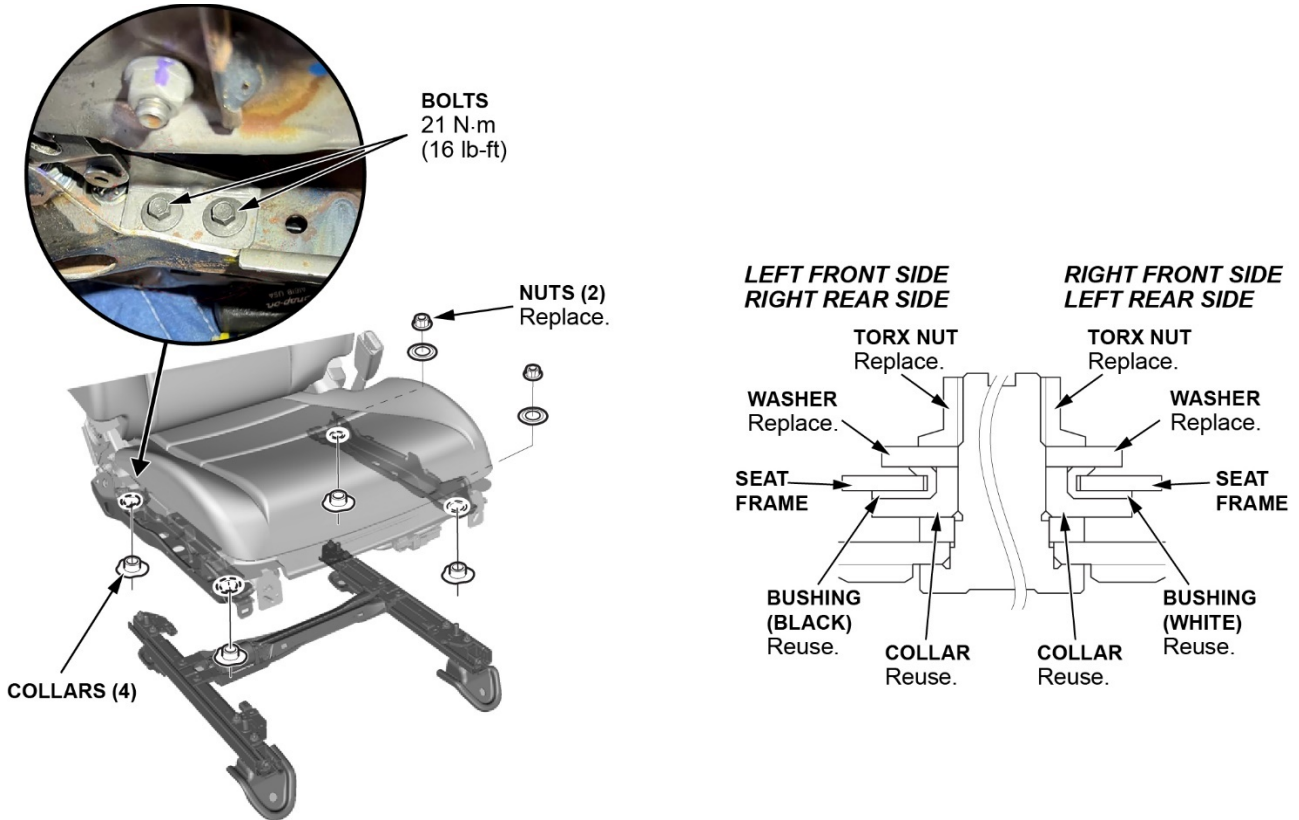
TABS
Tabs located to the inside.



8mm NUTS
35 N·m (26 lb-ft)

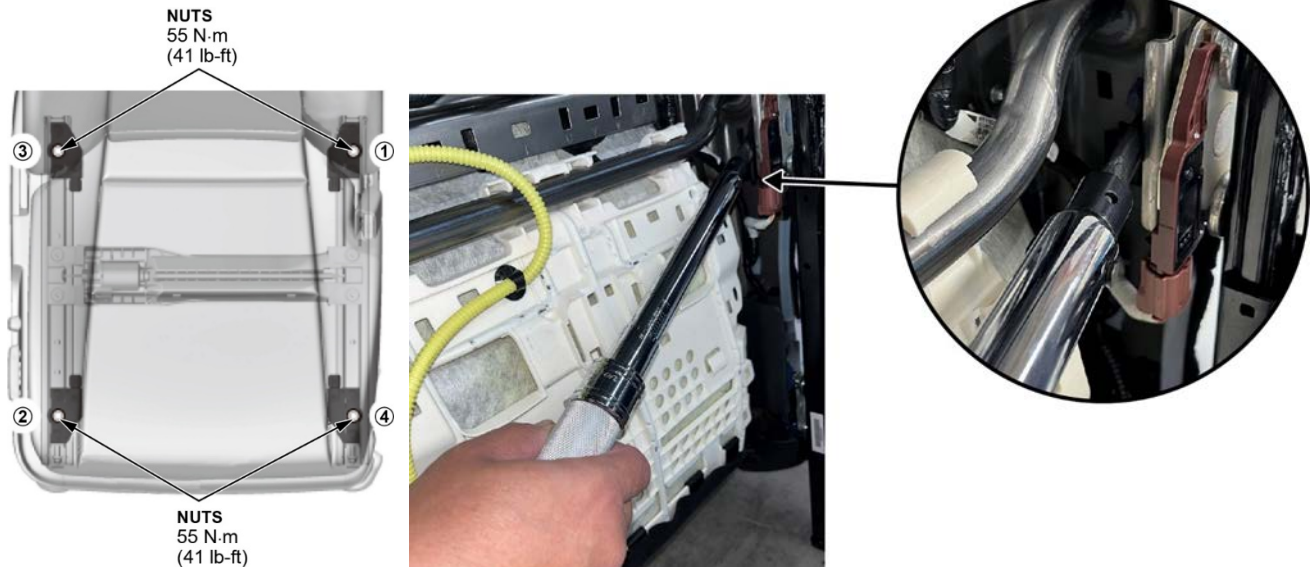
13. Remove the rail from the vehicle. Install the front passenger's seat rail back onto the seat frame, loosely install the new nuts and bolts, and reinstall all parts.

NOTE: The bushings and collars can be identified by their color. Make sure to install the bushings and collars as shown.

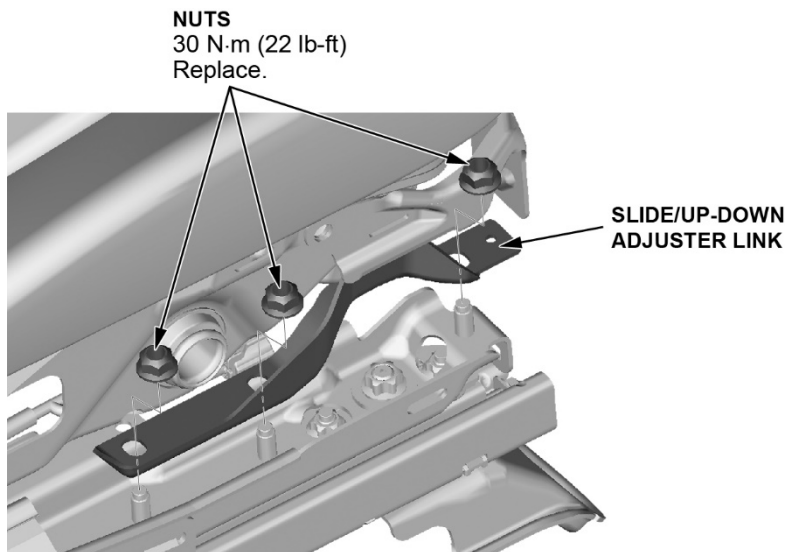


14. Torque the nuts to **55 N·m (41 lb-ft)**.

NOTE: Use the Snap-On Torque Wrench (P/N QD21N100A) and box-end head to tighten the seat rail nuts.



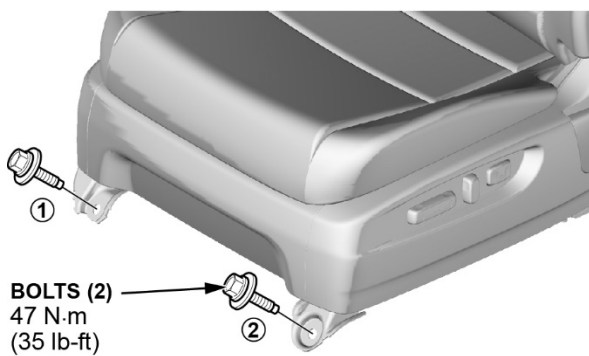
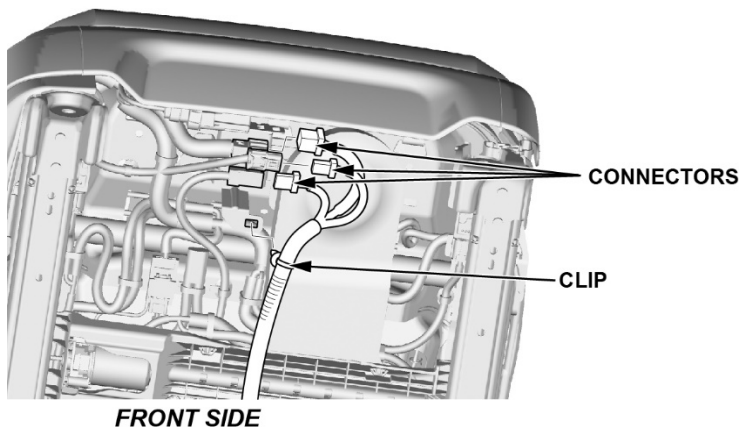
15. Install the nuts and torque them to **30 N·m (22 lb-ft)**.



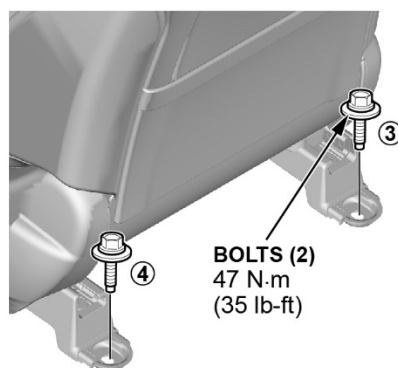
16. Connect the connectors and the clips.

17. Install the seat into the vehicle, connect the connectors, and clip.

NOTE: When installing the seat, tighten the bolts by hand first, then tighten them to the specified torque **47 N·m (35 lb-ft)** in the sequence shown.



REAR SIDE



18. Install all remaining parts in the reverse order of removal.

19. Connect the negative terminal to the 12-volt battery. [Click Here.](#)

20. Do the Front Passenger's Weight Sensor Initialize [Click Here](#)

21. Do the Front Passenger's Weight Sensor Operation Check [Click Here](#)