

**July 17, 2024**

Version 2

**Safety Recall: 2020–21 Civic Seat Weight Sensor (DTC U3000-49)**Supersedes 24-017, dated March 19, 2024, to revise the information highlighted in **yellow**.**AFFECTED VEHICLES**

Year	Model	Trim Level	VIN Range
2020	Civic 2 Door	ALL	Check the iN-VIN status for eligibility.
2020–21	Civic Hatchback	ALL	Check the iN-VIN status for eligibility.
2020	Civic 2 Door Si	ALL	Check the iN-VIN status for eligibility.
2020	Civic Si	ALL	Check the iN-VIN status for eligibility.
2020–21	Civic 4-Door	ALL	Check the iN-VIN status for eligibility.

**REVISION SUMMARY**Under **WARRANTY CLAIM INFORMATION**, a new table entry was added.**BACKGROUND**

Affected vehicles may be equipped with seat weight sensors that are not built to proper specifications. Improperly built sensors could lead to cracking and/or a short circuit of the sensor, resulting in the illumination of the SRS warning light and the passenger airbag indicator remaining OFF. In certain collisions, these seat weight sensors may cause improper deployment of the front passenger airbags, increasing the risk of injury.

**CUSTOMER NOTIFICATION**

Owners of affected vehicles will be sent a notification of this safety recall.

Do an iN VIN status inquiry to verify eligibility.

Some vehicles affected by this campaign may be in your new or used vehicle inventory.

Failure to repair a vehicle subject to a recall or campaign may subject your dealership to claims or lawsuits from the customer or anyone else harmed as a result of such failure. To see if a vehicle in inventory is affected by this safety recall, do a VIN status inquiry before selling it.

**CORRECTIVE ACTION**

- If the SRS warning light is not illuminated, refer to campaign notice 24-050.
- If the SRS warning light is illuminated, follow the inspection procedure outlined in this bulletin.

**CUSTOMER INFORMATION:** The information in this bulletin is intended for use only by skilled technicians who have the proper tools, equipment, and training to correctly and safely maintain your vehicle. These procedures should not be attempted by “do-it-yourselfers,” and you should not assume this bulletin applies to your vehicle, or that your vehicle has the condition described. To determine whether this information applies, contact an authorized Honda automobile dealer.

## PARTS INFORMATION

Due to a limited supply of controlled parts, they require prior approval before shipping. This will be determined by the INSPECTION PROCEDURE, follow the steps provided by the QR code.

## WARRANTY CLAIM INFORMATION

**NOTE: If the INSPECTION PROCEDURE determines this Service Bulletin doesn't apply, use template G to submit a warranty claim for the inspection.**

Operation Number	Description	Flat Rate Time	Defect Code	Symptom Code	Template ID	Failed Part Number
7491E3	<b>Civic 4dr/5dr-</b> Replace power seat slide (includes inspect and DTC check)	1.8 hr	6XW00	ZHF00	A24017A	81201-TBA-A61
8521K5	<b>Civic 4dr-</b> Replace manual seat frame (includes inspect and DTC clear)	1.7 hr	6XW00	ZHF00	A24017B	81126-TLA-C01
8521K5	<b>Civic 2dr-</b> Replace manual seat frame (includes inspect and DTC clear)	1.7 hr	6XW00	ZHF00	A24017C	81126-TBG-A01
8521K5	<b>Civic 5dr -</b> Replace manual seat frame (includes inspect and DTC clear)	1.7 hr	6XW00	ZHF00	A24017D	81126-TNC-A12
8521K5	<b>Civic 4dr Si-</b> Replace manual seat frame (includes inspect and DTC clear)	1.7 hr	6XW00	ZHF00	A24017E	81126-TBF-A01
8521K5	<b>Civic 2dr Si -</b> Replace manual seat frame (includes inspect and DTC clear)	1.7 hr	6XW00	ZHF00	A24017F	81126-TBJ-A01
<b>7495A1</b>	<b>For stored DTCs other than DTC U3000-49 and/or inspection determines this Service Bulletin does not apply.</b>	<b>0.3 hr</b>	<b>6XZ00</b>	<b>KIT00</b>	<b>A24017G</b>	<b>81136-T20-A61</b>

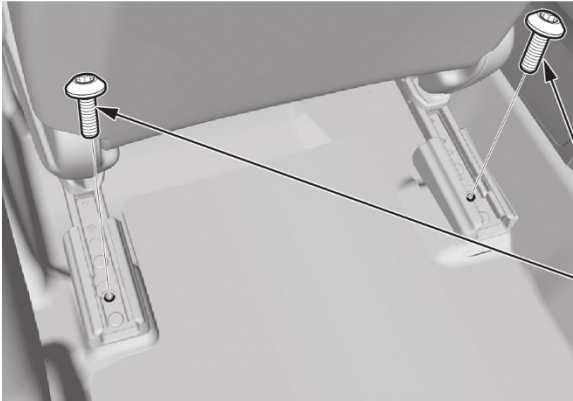
Skill Level: Repair Technician

## INSPECTION PROCEDURE

1. Check for the SRS airbag light on the dash.
2. If the airbag light is on, connect the HDS to the vehicle. Do an All DTC check.
3. If DTC U3000-49 is present, continue to step 4.  
If DTCs other than U3000-49 are found, this service bulletin does not apply. Continue with normal troubleshooting.
4. Remove the adjustable headrest restraint.

5. Slide the passenger's seat all the way forward and remove the rear seat rail fasteners.

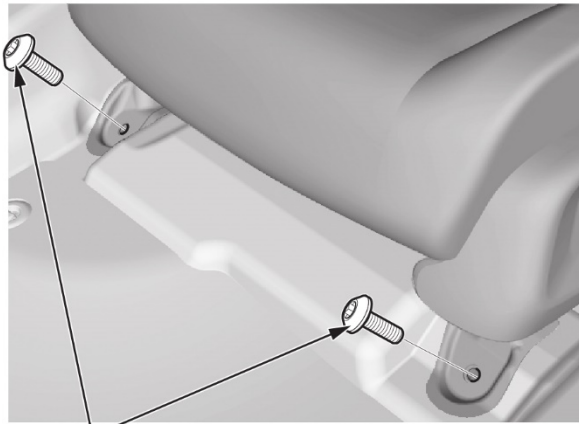
**REAR SIDE**



**BOLTS**  
43 N·m  
(32 lb-ft)

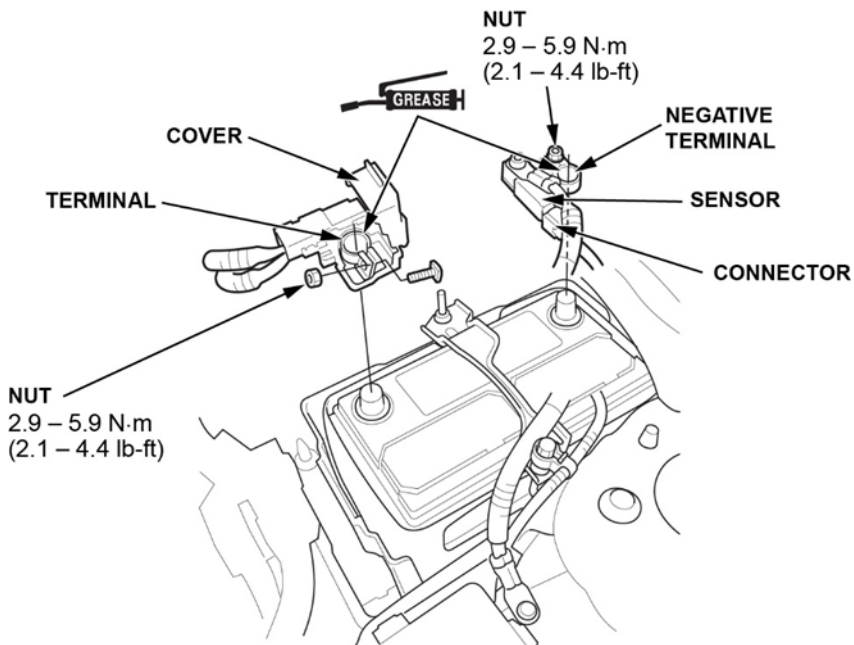
6. Slide the passenger's seat all the way rearward and remove the front rail fasteners.

**FRONT SIDE**



**BOLTS**  
43 N·m  
(32 lb-ft)

7. Disconnect the negative terminal of the 12-volt battery.



8. Tilt the seat back and disconnect the seat weight sensor connectors from the seat harness.
9. Reconnect the battery.
10. With the seat weight sensors disconnected, clear the DTC and do another All DTC check.

NOTE: Other new DTCs may be stored due to the seat weight sensors being unplugged. Disregard these new DTCs at this time.

- If DTC U3000-49 (Internal Failure of the SRS Unit) does not return, scan the QR code with a capable device and complete the form, then go to the REPAIR PROCEDURE.

NOTE:

- This form must be filled out before parts can be ordered.
- If you can't scan the QR code, ([Click HERE](#)).

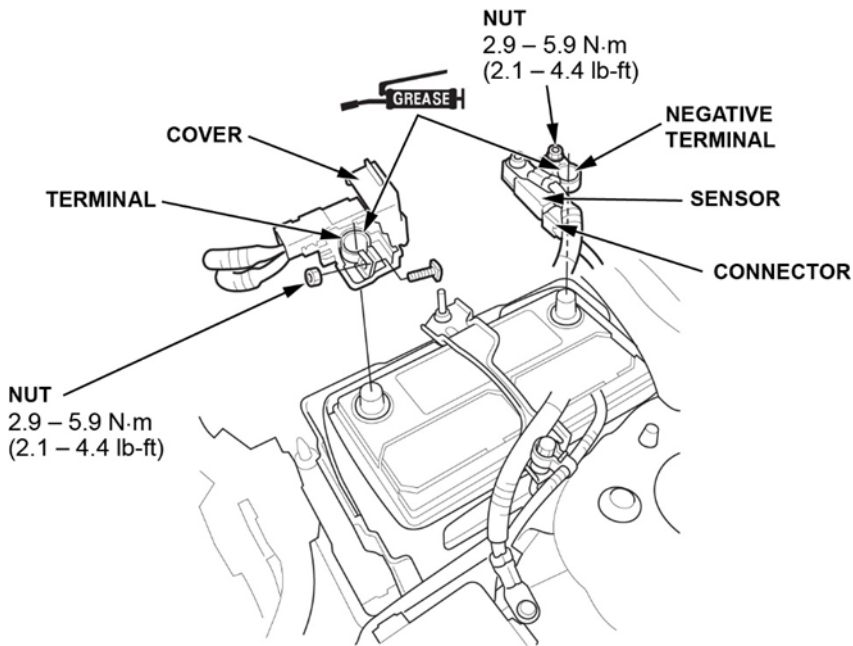


- If DTC U3000-49 does return, this service bulletin does not apply. Reconnect the SWS connectors and continue with normal troubleshooting.

## REPAIR PROCEDURE MANUAL SEAT

**NOTE: For Power Seats, see page 12.**

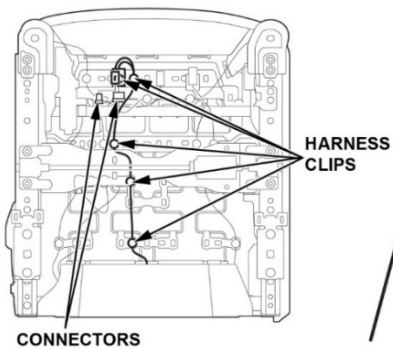
1. Remove the adjustable headrest restraint.
2. Disconnect the negative cable of the 12-volt battery.



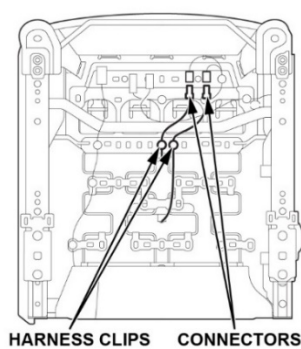
3. Depending on the trim, disconnect any connectors from the seat bottom and back.
4. Remove the passenger's seat and place it on a clean, flat surface.
5. Take a picture of the harness arrangement underneath the seat base for harness routing reference.

**NOTE: The actual harness layout may vary depending on trim/model options.**

**WITH SEAT HEATER**

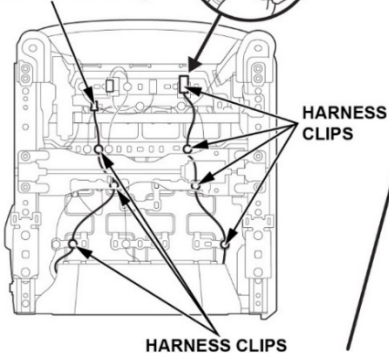


**WITH SEAT BELT REMINDER**

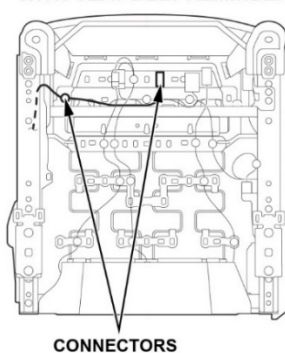


For some models.

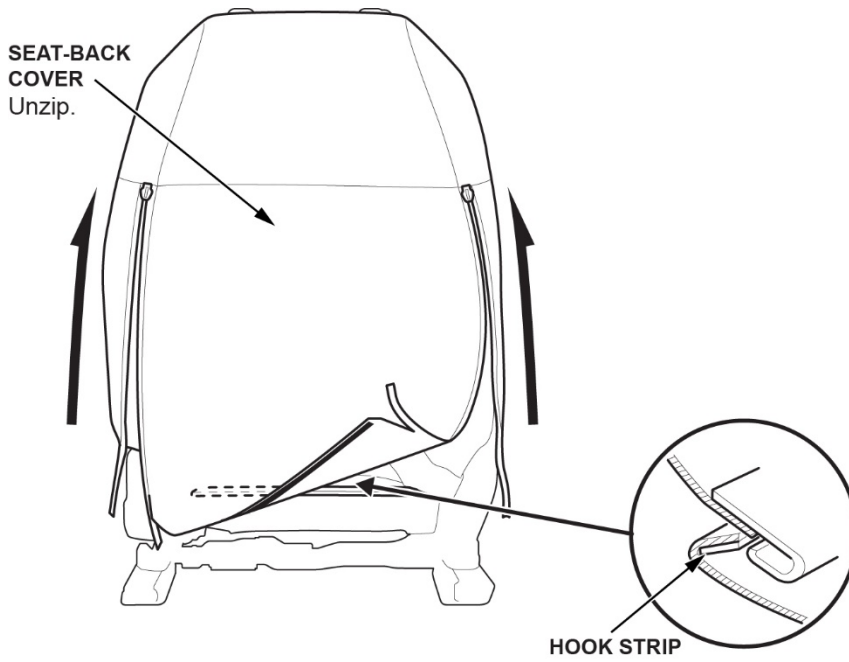
**CONNECTOR (WITH SEAT HEATER)**



**WITH SEAT BELT REMINDER**

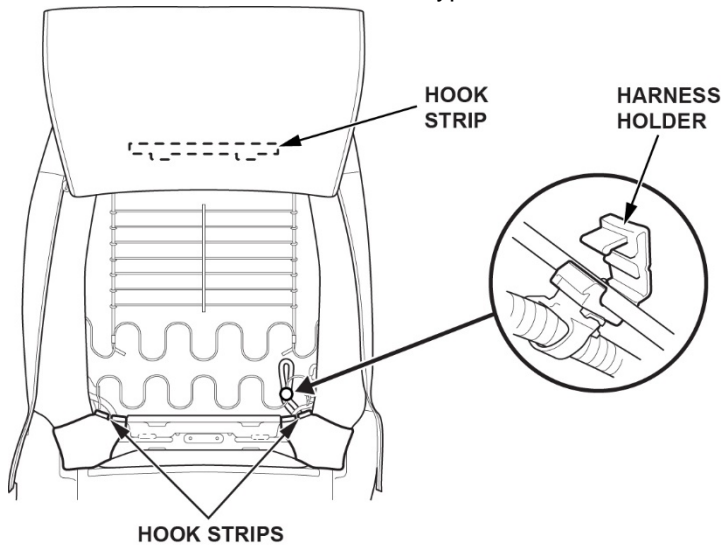


6. Release the hook strip and unzip the back cover.

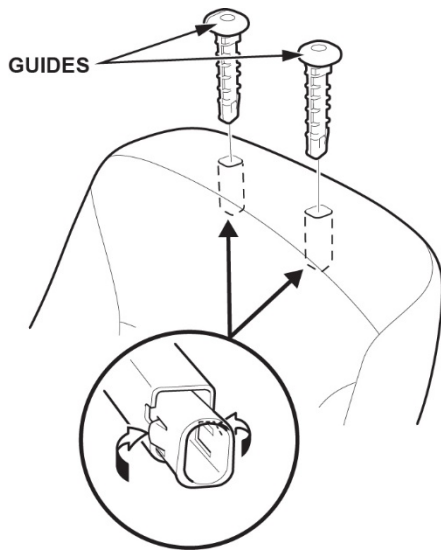


7. **If Equipped:** Release the hook strips and disconnect the seat heater harness holder.

NOTE: Without cloth reinforcement type, remove the side airbag.

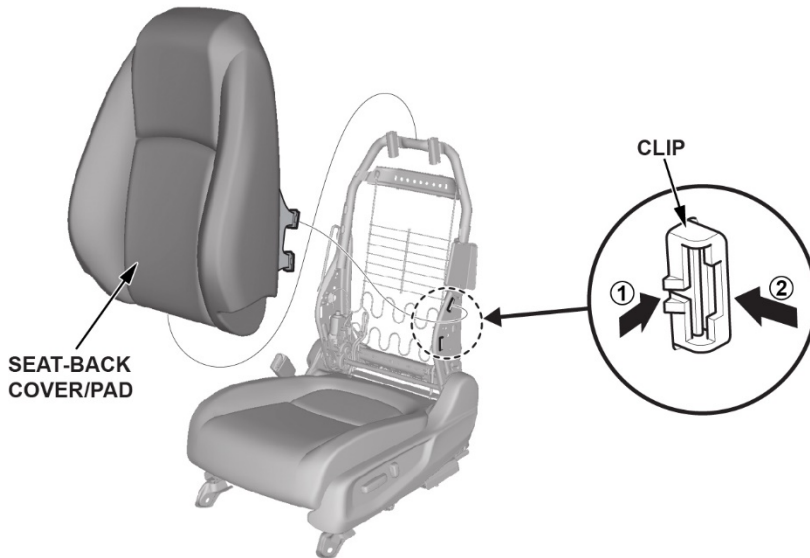


8. With Height Adjustable Head Restraint: Remove the head restraint guides.

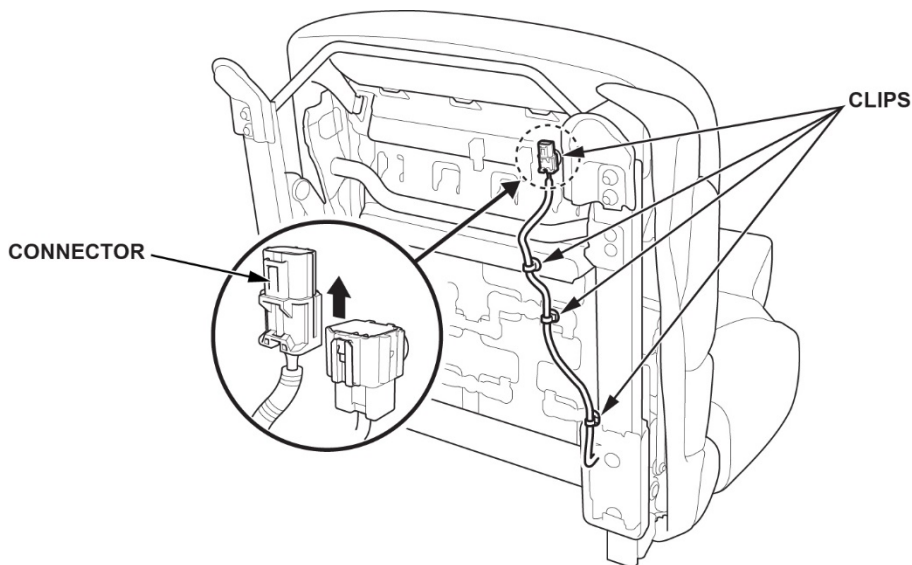


9. With Cloth Reinforcement: Remove the clips and the seat-back cover pad.

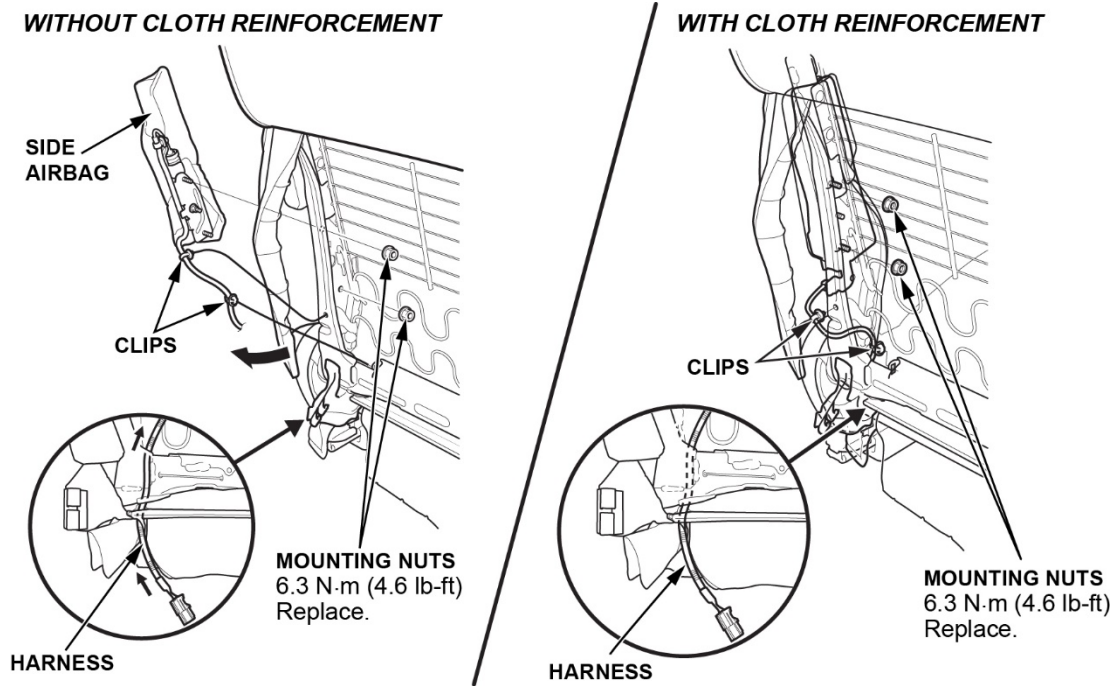
**DRIVER'S SIDE IMAGE SHOWN**



10. Disconnect the harness clips and disconnect the connector.



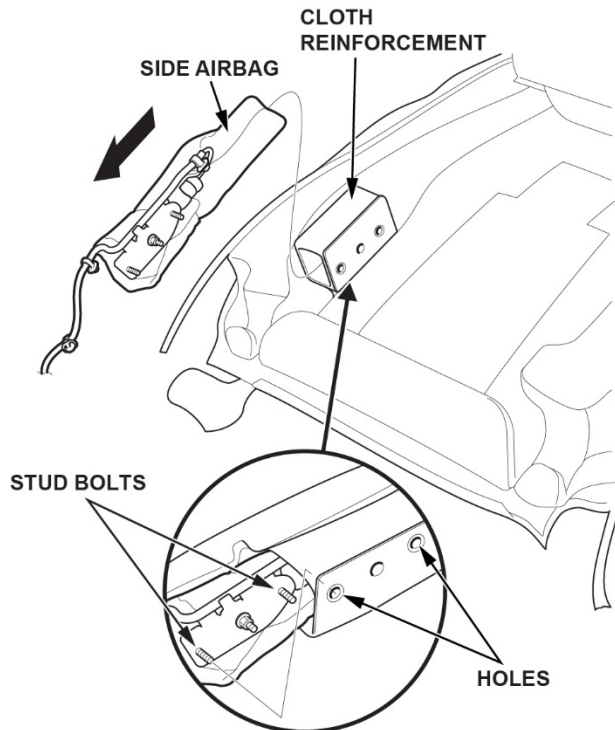
11. Remove the outer nuts connecting to the side airbag.



12. Pull the side airbag stud bolts out through the holes in the cloth reinforcement of the seat-back cover, then remove the side airbag.

NOTE:

- During installation, install the new mounting nuts to the specified torque.
- Make sure that the seat-back cover is installed properly. Improper installation may prevent proper deployment.
- Be sure to install the harness so that they are not pinched or interfering with other parts.



13. Remove the seat back cover or rest, and if applicable, remove the clips.

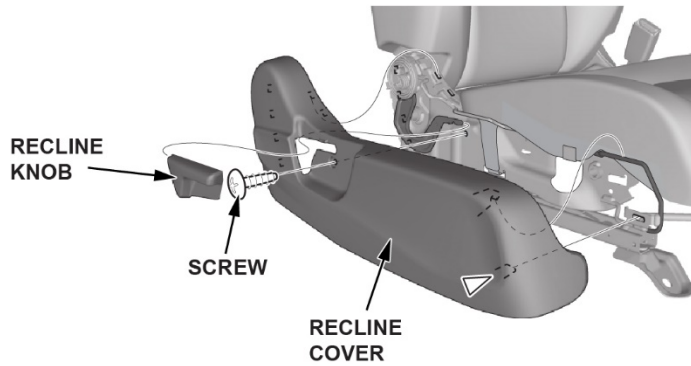


14. If Equipped: remove the seat back release lever (one screw).



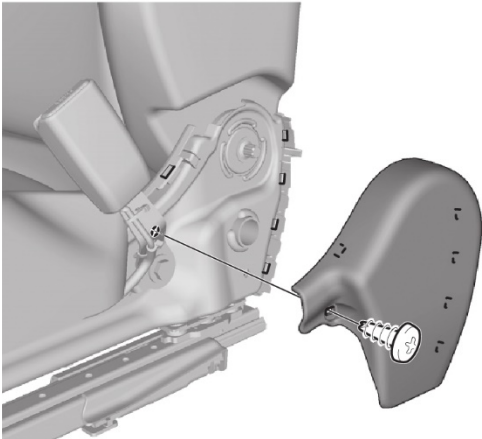
15. Remove the passenger's front recline knob and the right side recline cover.

*PASSENGER'S SIDE*

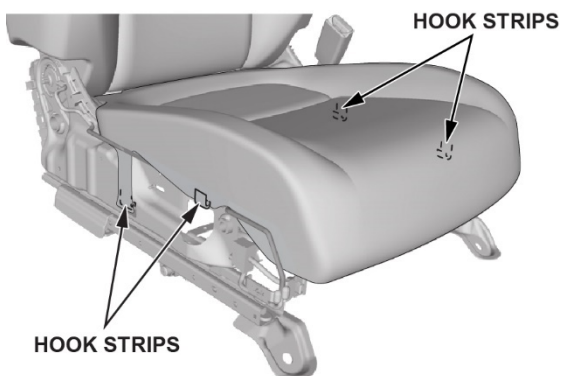


16. Remove the passenger's front seat left cover.

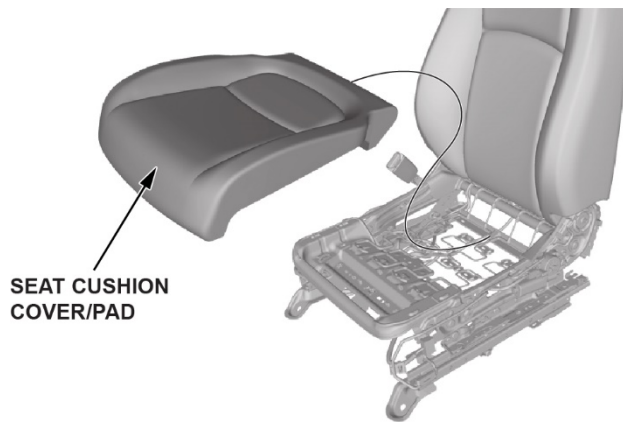
*PASSENGER'S SEAT*



17. Release the hook strips.

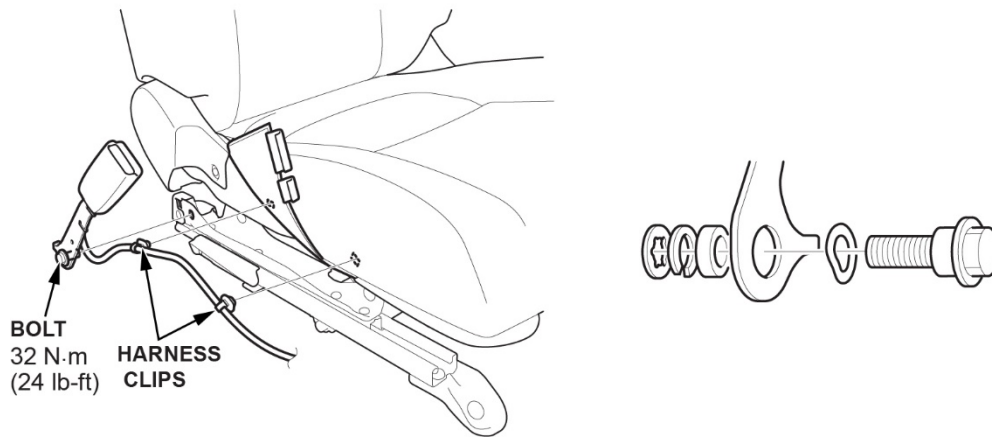


18. Remove the front seat cushion.

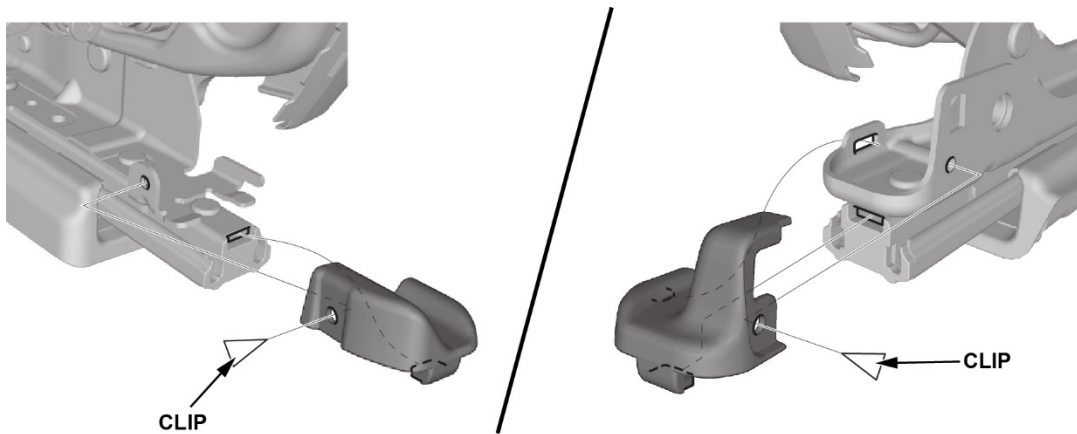


19. Remove the bolt, the harness clips, and the seat belt buckle, then remove the passenger's seatbelt assembly.

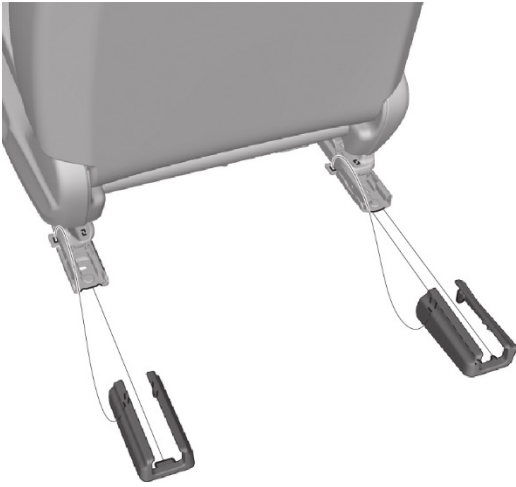
*PASSENGER'S SIDE*



20. Remove the upper rail inner cover from both sides.



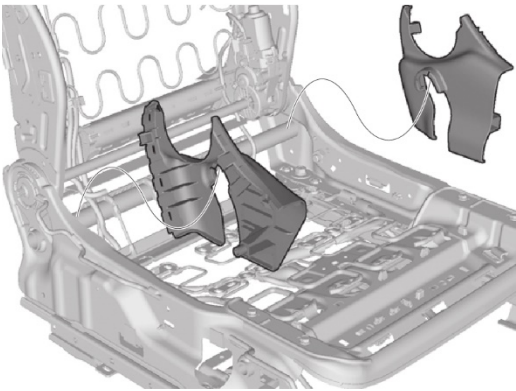
21. Remove the front seat rear front cover.



22. If Equipped: remove the front seat rear covers.

23. Remove the inner and outer cover.

**PASSENGER'S SEAT**

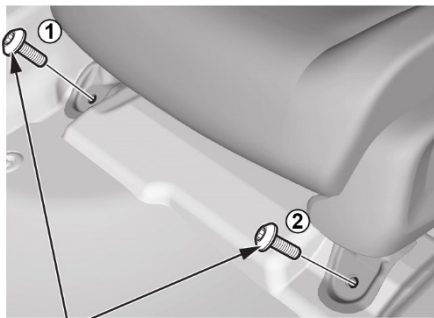


24. Transfer all components to the new seat frame.

25. Install all parts in the reverse order of removal.

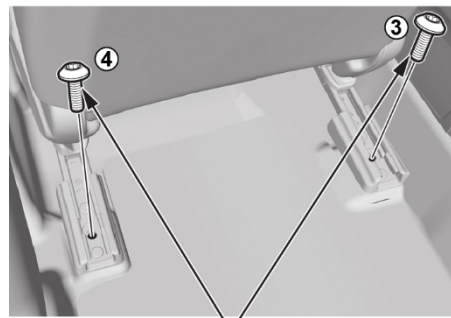
26. Install the bolts to the passenger's seat and tighten the bolts by hand first, then tighten them to the specified torque in sequence.

**FRONT SIDE**



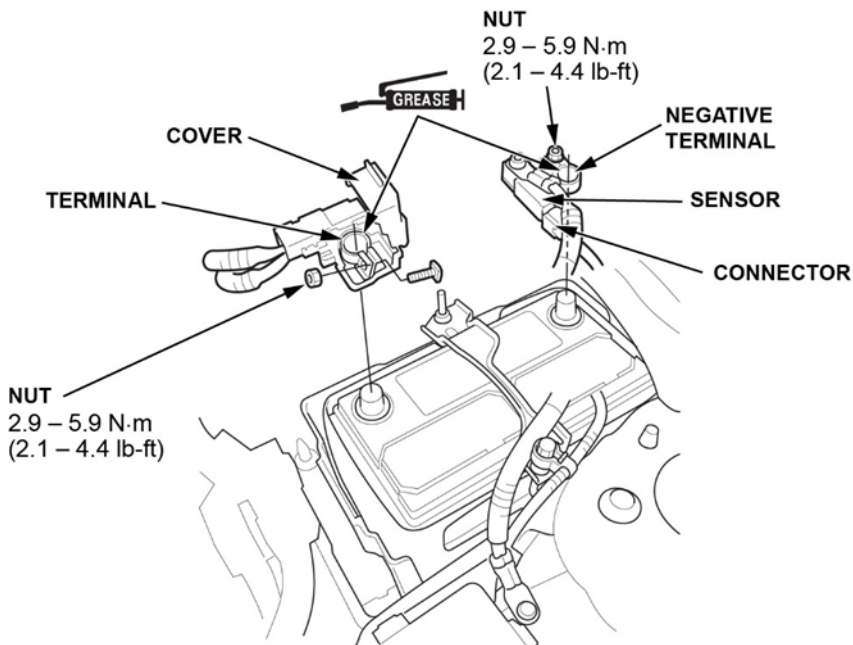
**BOLTS**  
43 N·m  
(32 lb-ft)

**REAR SIDE**



**BOLTS**  
43 N·m  
(32 lb-ft)

27. Connect the negative terminal of the 12-volt battery.



28. Do the seat weight sensor initialization ([Click Here](#)).

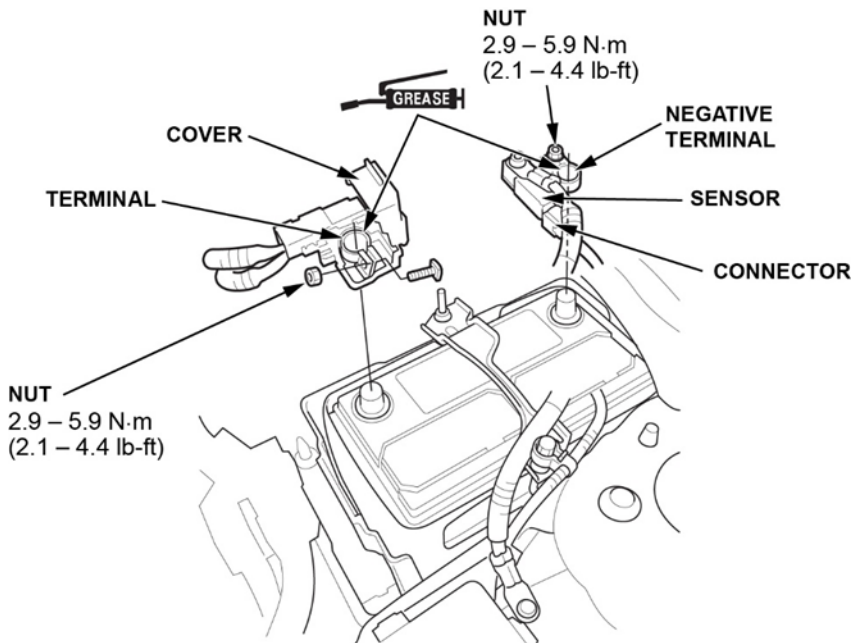
29. Do the front weight sensor operation check ([Click Here](#)).

30. Confirm the SRS Operation: Turn the vehicle to the ON mode, and check that the SRS indicator comes on for about **6 seconds** and then goes off.

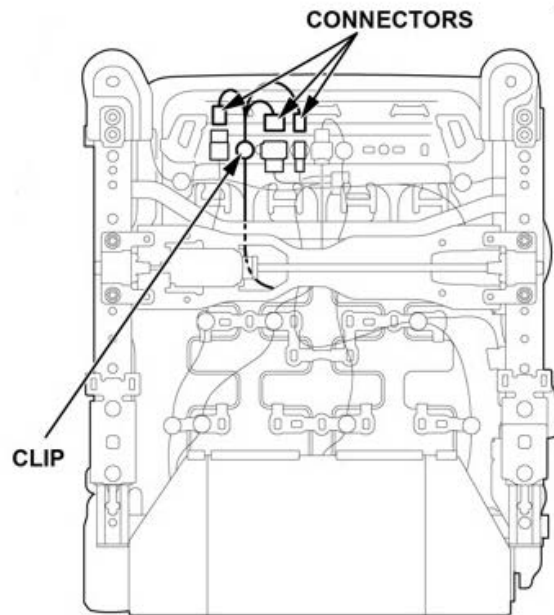
31. Do the steering neutral position learn procedure ([Click Here](#)).

## REPAIR PROCEDURE POWER SEATS

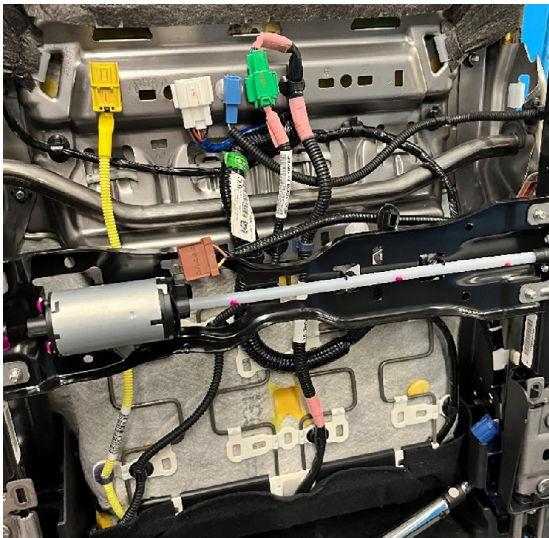
1. Disconnect the negative terminal of the 12-volt battery.



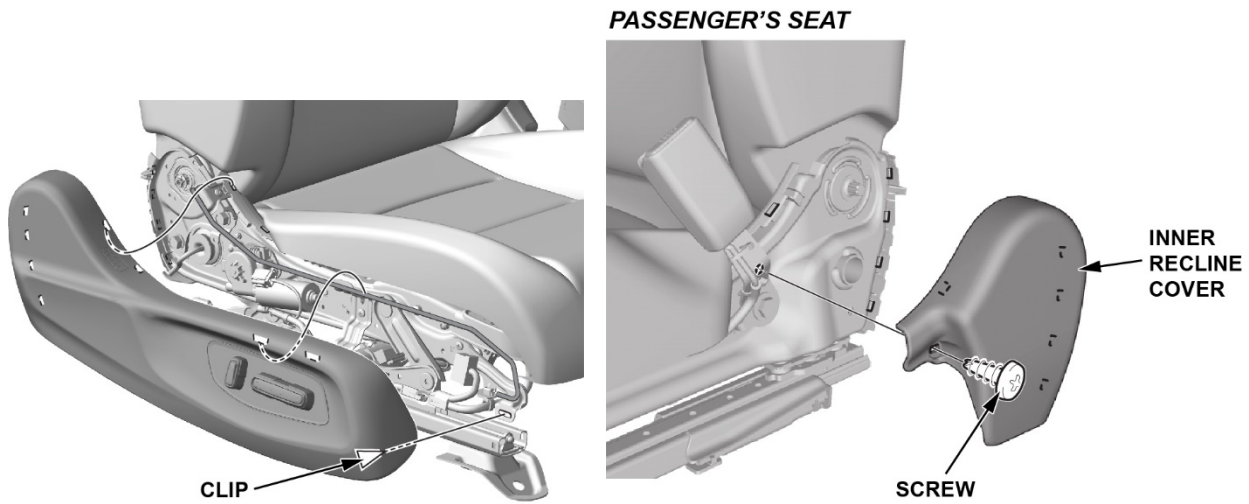
2. Tilt the seat back, then disconnect the connectors and clip.



3. Carefully remove the seat from the vehicle and place it on a suitable, clean surface.
4. Take a photo of the connector layout on the seat bottom pan (to reference later).

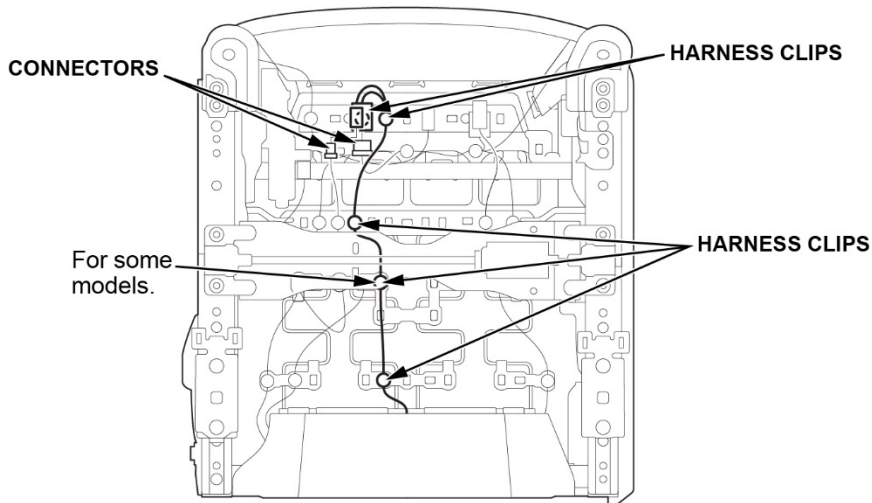


5. Remove the seat front recline covers.

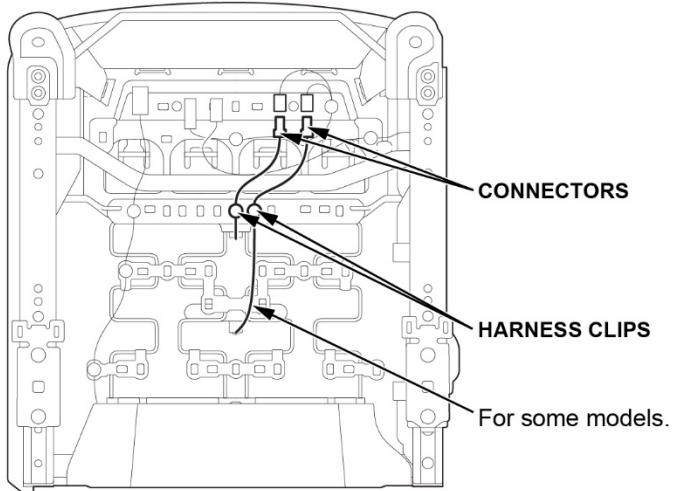


6. For some models: From under the seat cushion, remove the connectors and harness clips.

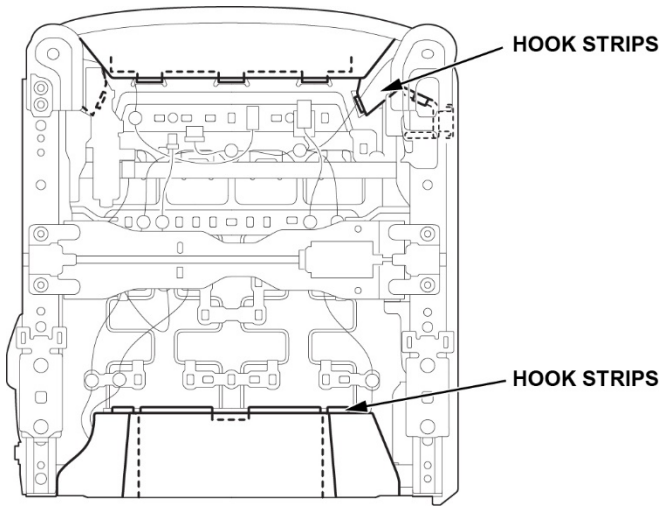
**WITH SEAT HEATER**



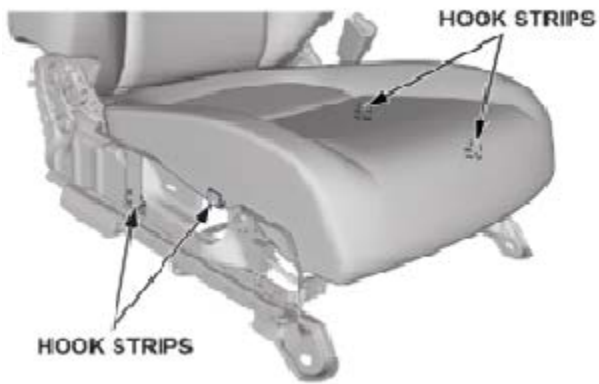
**WITH SEAT BELT REMINDER**



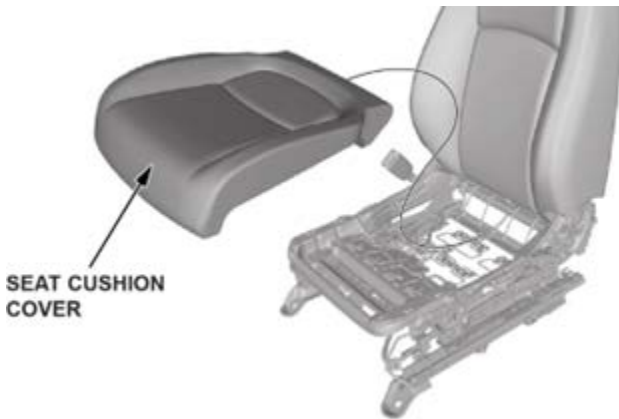
7. Release the hook strips/



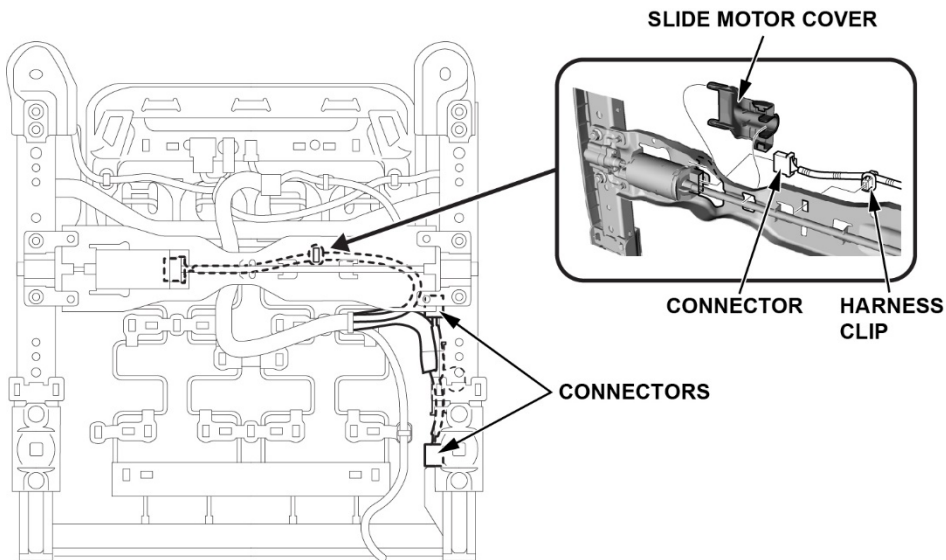
**PASSENGER'S SEAT**



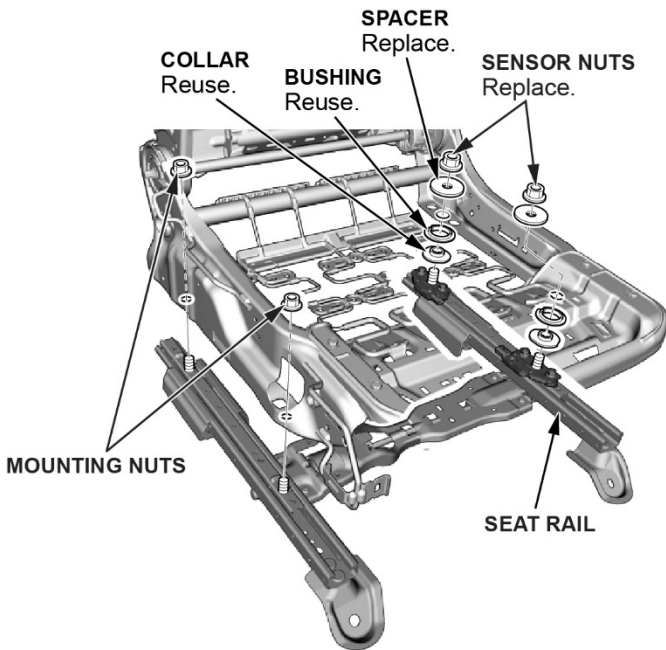
8. Remove the seat cushion cover.



9. Remove the slide motor cover, then disconnect the connectors and remove the harness clip.



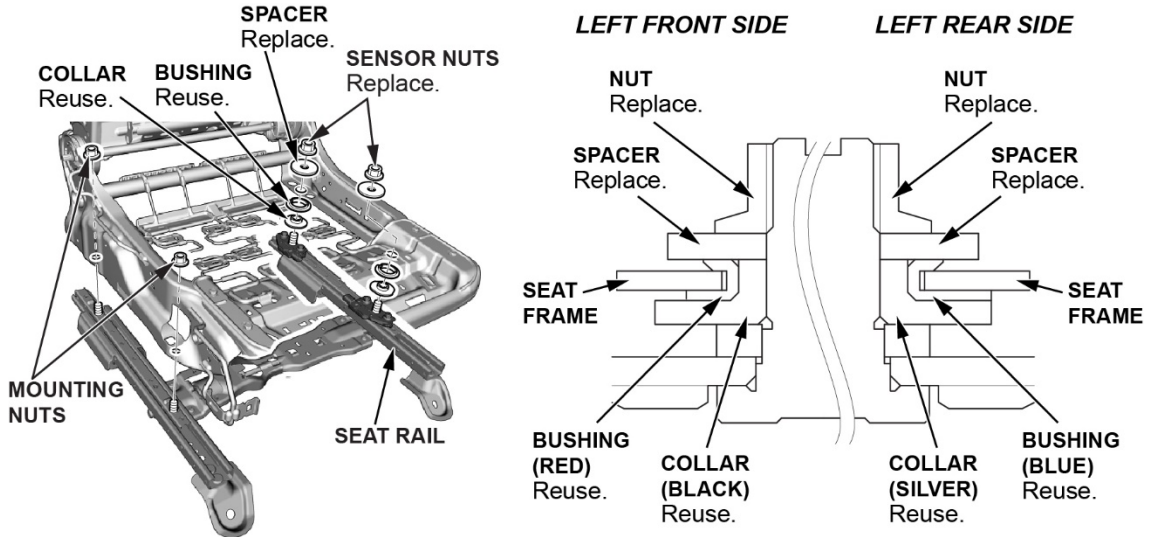
10. Remove the weight sensor nuts and the mounting nuts, then remove the front passenger's seat rail front passenger's weight sensors as an assembly.



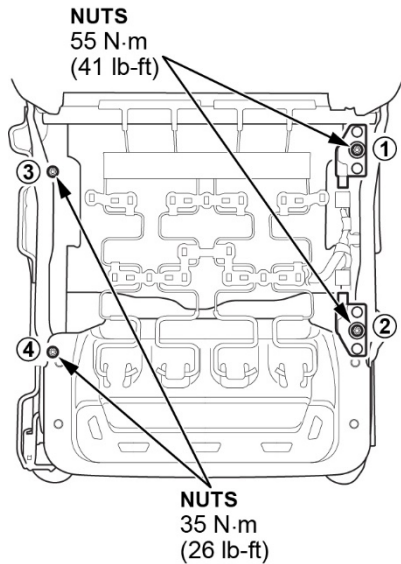


11. Install the new front passenger's seat rail front passenger's weight sensors as an assembly to the seat frame as shown, and loosely tighten the new weight sensor nuts and the mounting nuts.

NOTE: The bushings and collars can be identified by color. Make sure to reinstall the bushings and collars.



12. Follow the sequence to tighten the weight sensor nuts and the mounting nuts to the specified torque.

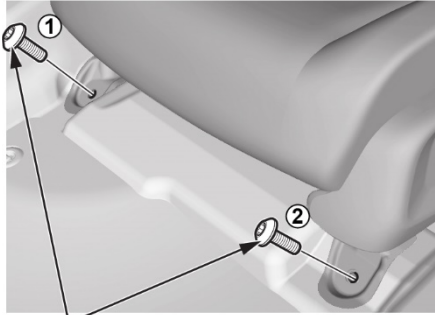


13. Reinstall all remaining removed parts onto the seat frame.

14. Place the seat back into the vehicle and reconnect the connectors.

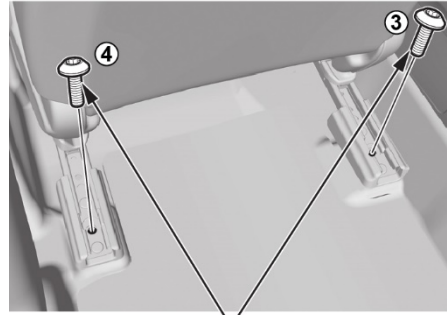
15. Install the bolts to the passenger's seat tighten the bolts by hand first, then tighten them to the specified torque in sequence.

**FRONT SIDE**



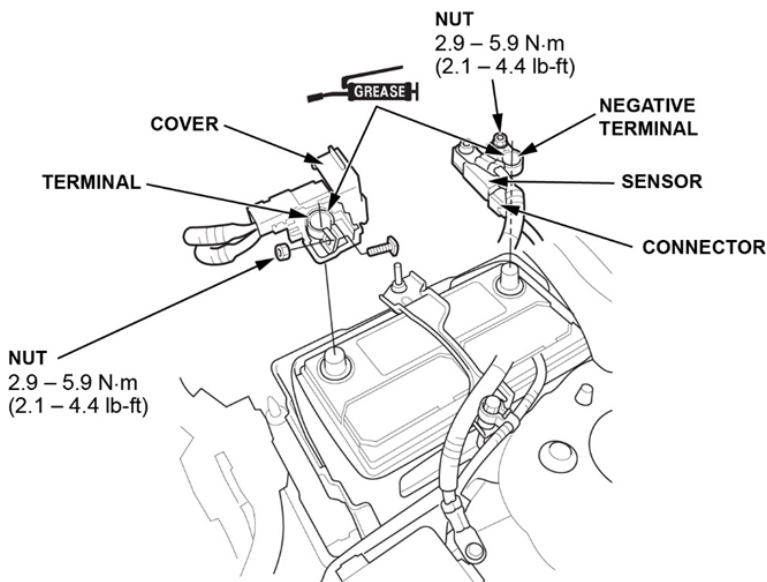
**BOLTS**  
43 N·m  
(32 lb-ft)

**REAR SIDE**



**BOLTS**  
43 N·m  
(32 lb-ft)

16. Connect the negative terminal of the 12-volt battery.



17. Do the seat weight sensor initialization ([Click Here](#)).
18. Do the front weight sensor operation check ([Click Here](#)).
19. Confirm the SRS Operation: Turn the vehicle to the ON mode and check that the SRS indicator comes on for about **6 seconds**, and then it goes off.
20. Do the steering neutral position learn procedure ([Click Here](#)).