

Safety Recall: 2021 Insight Seat Weight Sensor (DTC U3000-49)

AFFECTED VEHICLES

Year	Model	Trim Level	VIN Range
2021	Insight	EX, EX-L, Touring	Check the iN VIN status for eligibility.

BACKGROUND

Affected vehicles may be equipped with seat weight sensors not built to proper specifications. Improperly built sensors could lead to cracking and/or a short circuit of the sensor, resulting in the illumination of the SRS warning light and the passenger airbag indicator remaining OFF. In certain collisions, these seat weight sensors may cause improper deployment of the front passenger airbag, increasing the risk of injury.

CUSTOMER NOTIFICATION

Owners of affected vehicles will be sent a notification of this safety recall.

Do an iN VIN status inquiry to verify eligibility.

Some vehicles affected by this campaign may be in your new or used vehicle inventory.

Failure to repair a vehicle subject to a recall or campaign may subject your dealership to claims or lawsuits from the customer or anyone else harmed as a result of such failure. To see if a vehicle in inventory is affected by this safety recall, do a VIN status inquiry before selling it.

CORRECTIVE ACTION

- If the SRS indicator light is not illuminated, refer to *Campaign Notice 24-050*.
- If the SRS indicator light is illuminated, follow the inspection procedure outlined in this bulletin.

CUSTOMER INFORMATION: The information in this bulletin is intended for use only by skilled technicians who have the proper tools, equipment, and training to correctly and safely maintain your vehicle. These procedures should not be attempted by “do-it-yourselfers,” and you should not assume this bulletin applies to your vehicle, or that your vehicle has the condition described. To determine whether this information applies, contact an authorized Honda automobile dealer.

PARTS INFORMATION

Due to a limited supply of controlled parts, they require prior approval before shipping. This will be determined by the INSPECTION PROCEDURE, follow the steps provided by the QR code.

WARRANTY CLAIM INFORMATION

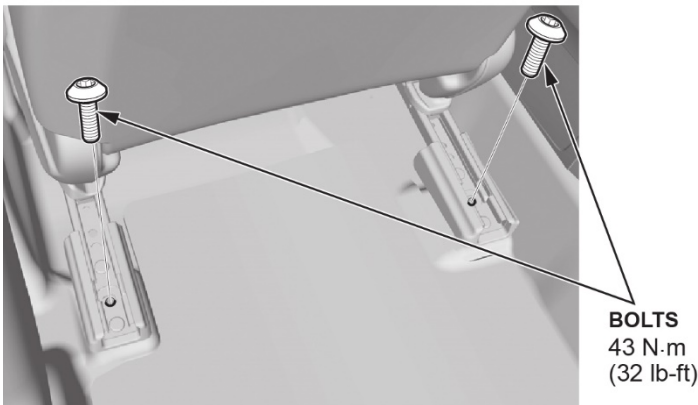
Operation Number	Description	Flat Rate Time	Defect Code	Symptom Code	Template ID	Failed Part Number
7491E3	Replace the power seat rail assembly (includes inspection and DTC clear).	1.8hr	6XW00	SHN00	A24037A	81201-TBA-A61
8521K5	Replace the manual seat rail assembly (includes inspection and DTC clear).	1.6hr	6XW00	SHN00	A24037B	81126-TLA-C01

Skill Level: Repair Technician

INSPECTION PROCEDURE

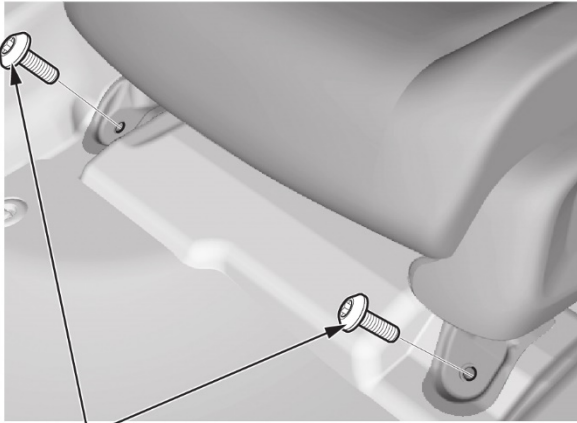
1. Check for the SRS warning light on the dash.
2. If the SRS warning light is on, connect the HDS to the vehicle. Do an **ALL DTC** check.
3. If DTC U3000-49 is present, continue to step 4.
If DTCs other than U3000-49 are found, this service bulletin does not apply. Continue with normal troubleshooting.
4. Remove the head restraint.
5. Slide the passenger's seat all the way forward and remove the rear seat rail fasteners.

REAR SIDE



- Slide the passenger's seat all the way rearward and remove the front rail fasteners.

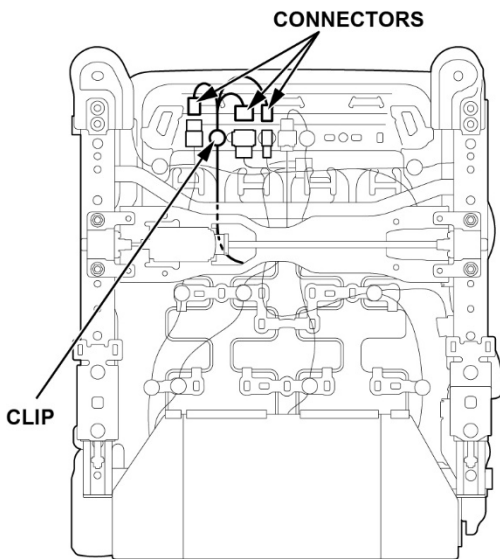
FRONT SIDE



BOLTS
43 N.m
(32 lb-ft)

- Set the passenger's seat cushion to the full tilt-up position.
- Remove the center console side panel, then disconnect the negative terminal of the 12-volt battery. ([Click HERE](#))
- Tilt the seat back then, disconnect the connectors.

PASSENGER'S SEAT



- Connect the negative terminal of the 12-volt battery.

11. With the seat weight sensors disconnected, clear the DTC and do an **All DTC** check.

Note: Other new DTCs may be stored due to the seat weight sensors being unplugged. Disregard these new DTCs at this time.

- If DTC U3000-49 (Internal Failure of the SRS Unit) does not return, scan the QR code with a capable device and complete the form.

NOTE:

- This form must be filled out before parts can be ordered.
- If you can't scan the QR code, [\(Click HERE\)](#).



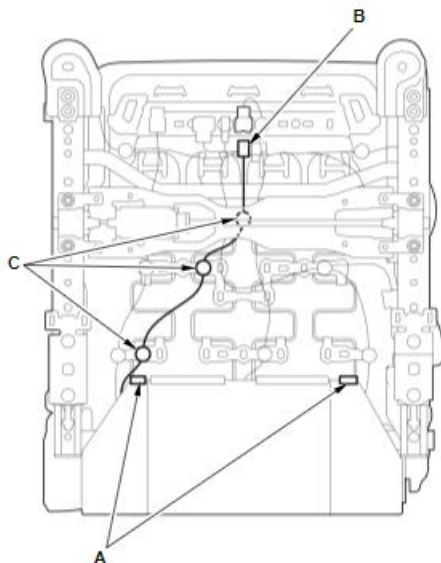
- If DTC U3000-49 does return, this service bulletin does not apply. Reconnect the seat weight sensor connectors and continue with normal troubleshooting.

REPAIR PROCEDURE MANUAL SEAT

NOTE: For vehicles with power seats, See Page 11.

1. Disconnect the negative terminal of the 12-volt battery. [\(Click HERE\)](#)
2. Take a picture of the harness arrangement underneath the seat, before disconnecting any of the remaining connectors or harness clips.
3. Release the hook strips (A)

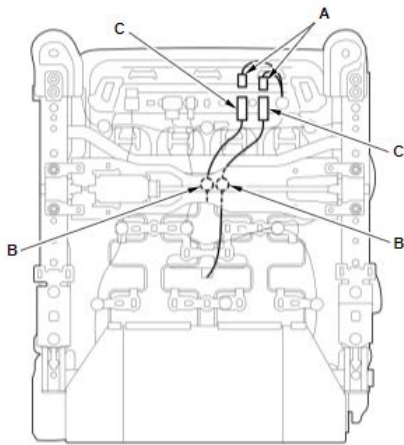
NOTE: If equipped with a Seat Heater, disconnect the connector (B), and detach the harness clips (C).



4. Remove the seat belt reminder connectors (A) and release the harness clip (B) if equipped.

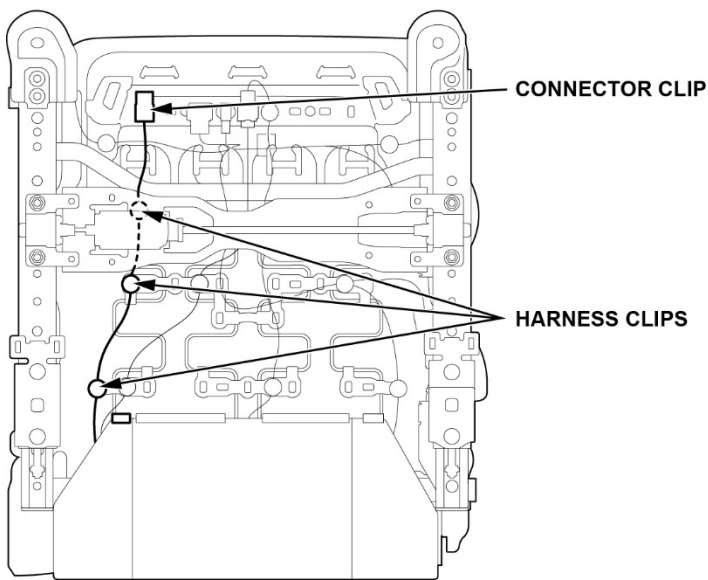
NOTE: Some models will require the removal of connector clips (C)

Passenger's seat with seat belt reminder

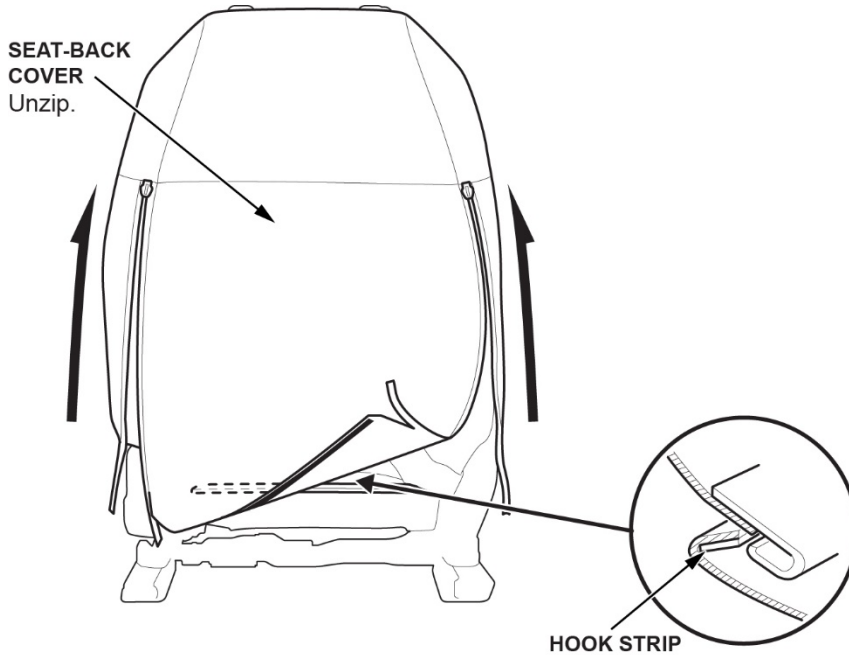


5. Release the connector clip and harness clips.

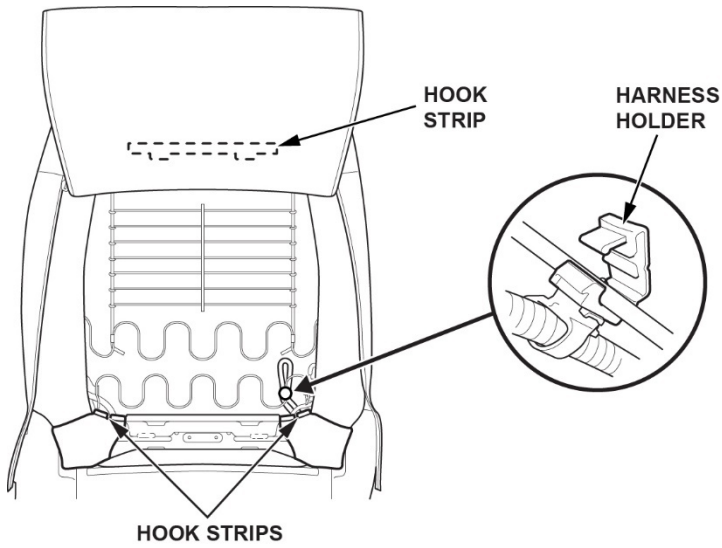
FRONT PASSENGER'S SEAT



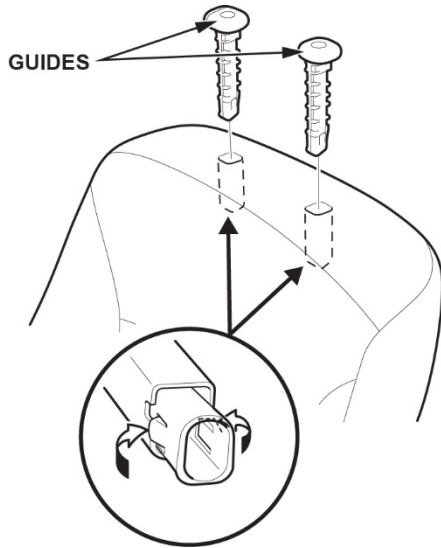
6. Release the hook strip, unzip the seat back cover, then remove the seat back cover pad.



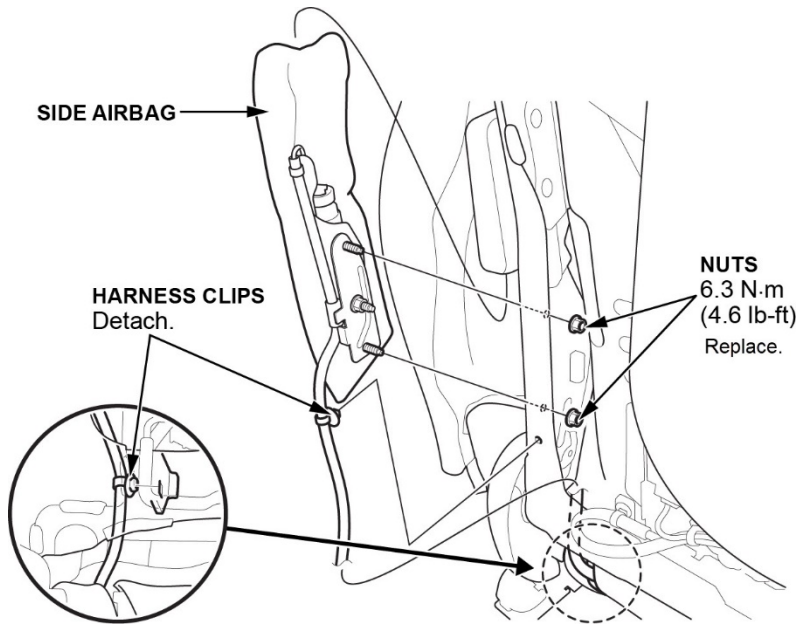
NOTE: If equipped with a seat heater, remove the harness holder.



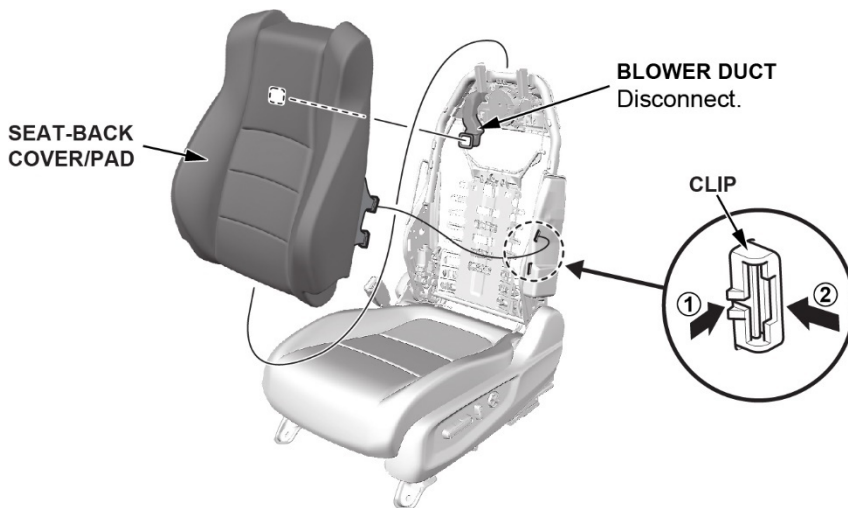
7. Remove the head restraint guides.



8. Detach the harness from the seat frame and remove the side airbag.

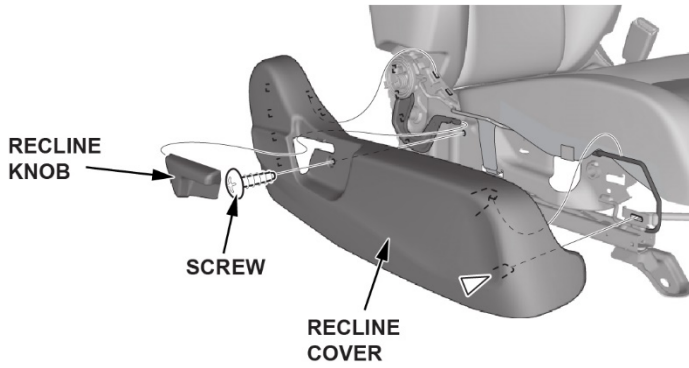


NOTE: If equipped: Detach the clips, disconnect the blower motor duct, and then remove the seat back cover pad.



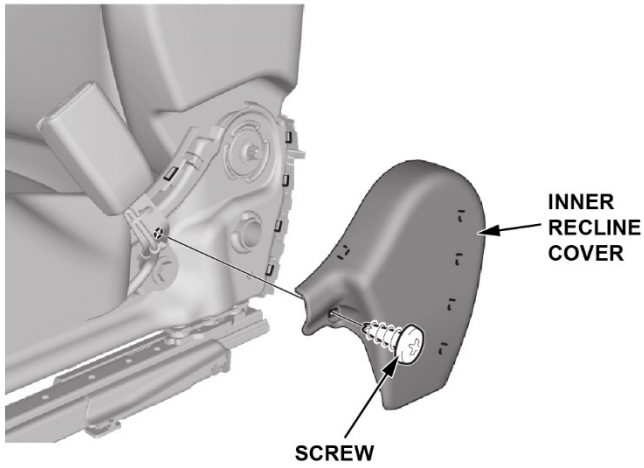
9. Remove the front seat recline knob and the front seat outer recline cover the seat recline knob.

PASSENGER'S SIDE

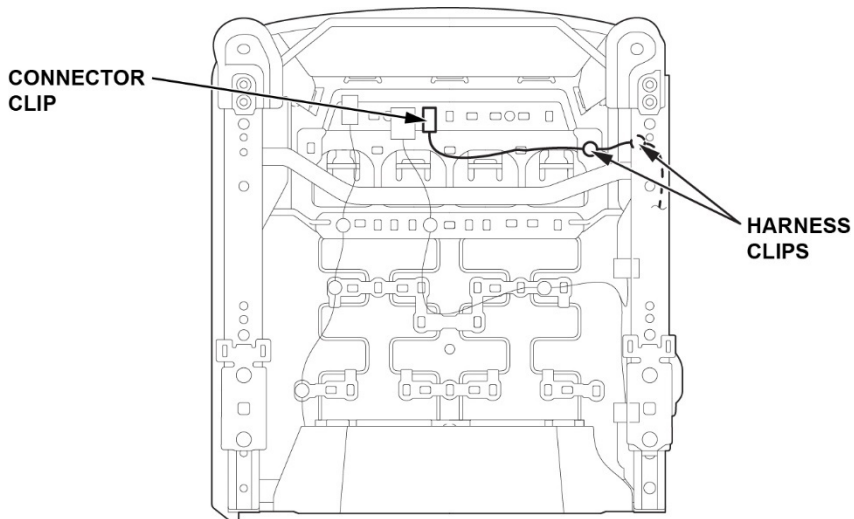


10. Remove the front seat inner recline cover.

PASSENGER'S SEAT

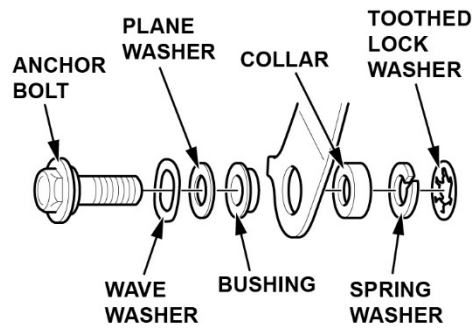
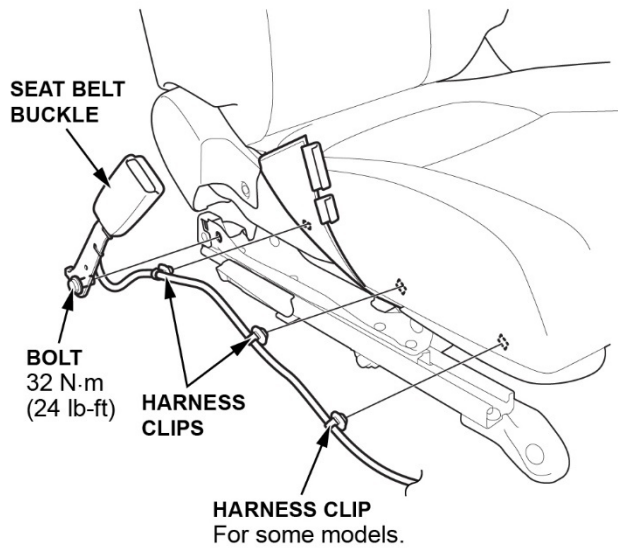


11. Disconnect the harness clips and the connector clip.

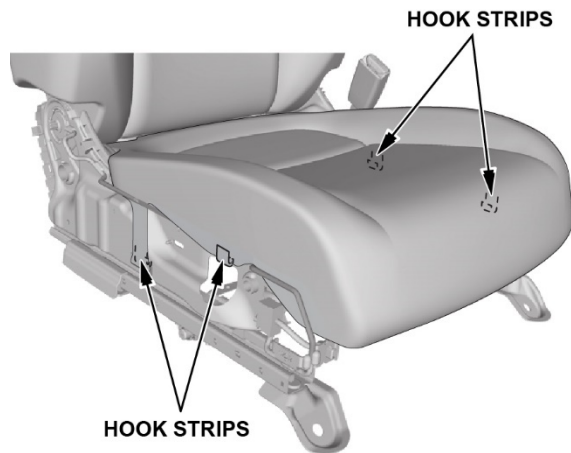


12. Release the harness clips, then remove the front seat belt buckle.

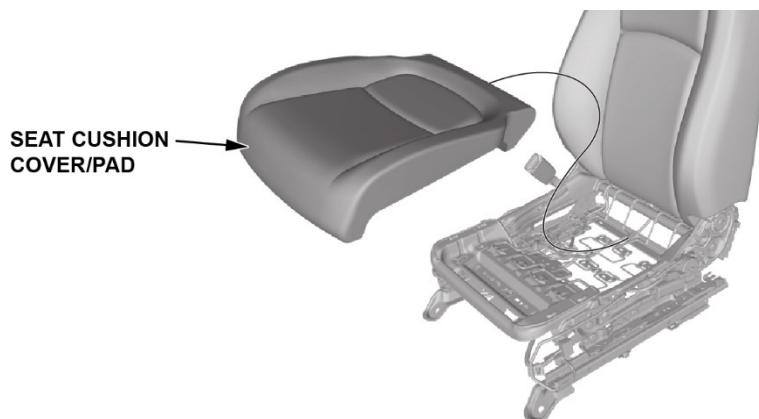
PASSENGER'S SIDE



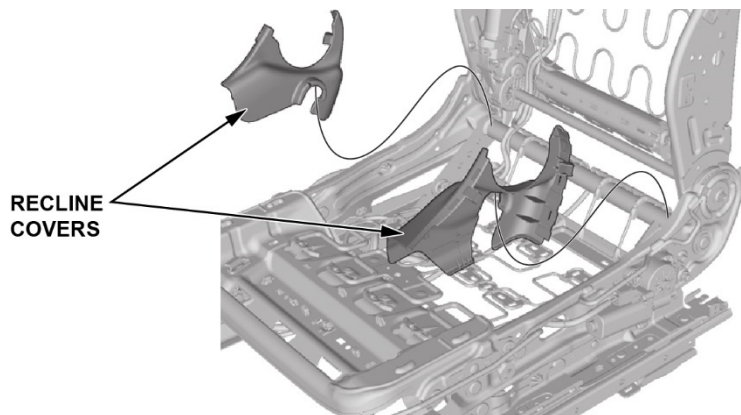
13. Release the hook strips.



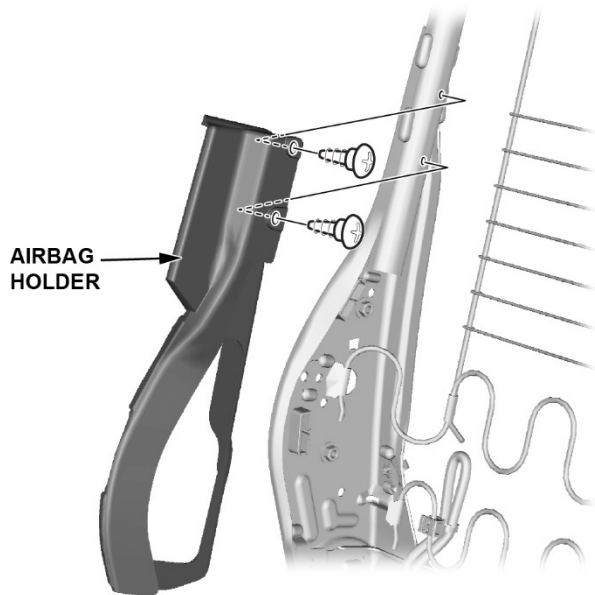
14. Remove the seat cushion cover.



15. Remove the front seat outer/inner recline inner covers.



16. Remove the side airbag holder.



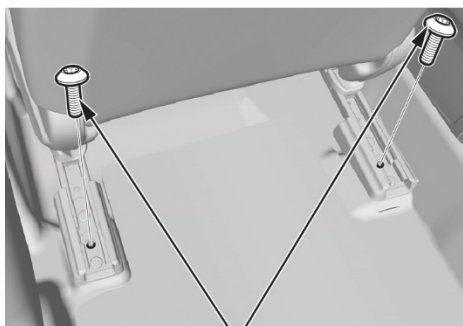
17. Install all removed parts onto the new seat frame.

18. Place the seat back into the vehicle and reconnect the connectors.

19. Reinstall the seat frame in the vehicle.

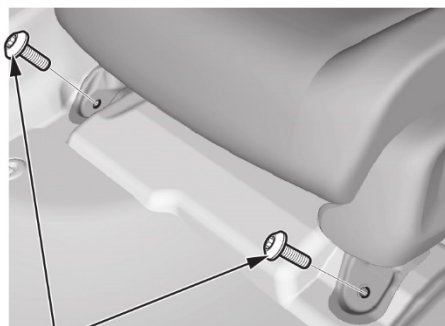
NOTE: Tighten the bolts by hand first, then tighten them to the specified torque in sequence **43 N.m (32 lb-ft)**.

REAR SIDE



BOLTS
43 N.m
(32 lb-ft)

FRONT SIDE



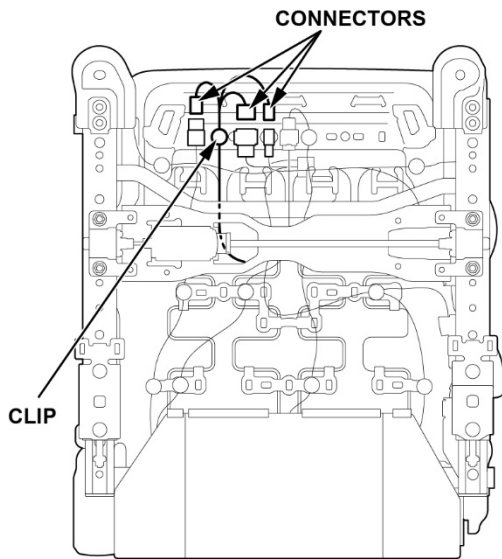
BOLTS
43 N.m
(32 lb-ft)

20. Connect the negative terminal of the 12-volt battery. ([Click HERE](#))
21. Do the seat weight sensor initialization ([Click HERE](#)).
22. Front Passenger's Weight Sensor Operation Check ([Click HERE](#))
23. Turn the vehicle to the ON mode, and check that the SRS indicator comes on for about 6 seconds and then goes off.
24. Do the steering angle neutral position learn using the i-HDS ([Click HERE](#)).

REPAIR PROCEDURE POWER SEAT

1. Disconnect the negative terminal of the 12-volt battery. ([Click HERE](#))
2. Disconnect the remaining connectors and clip.

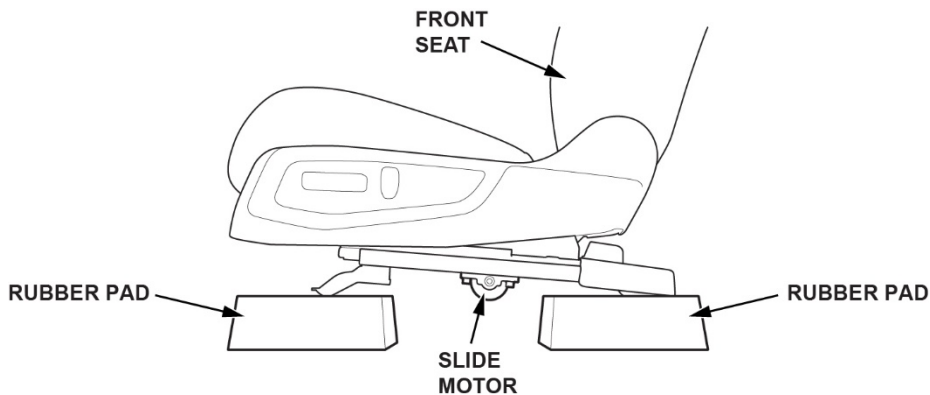
PASSENGER'S SEAT



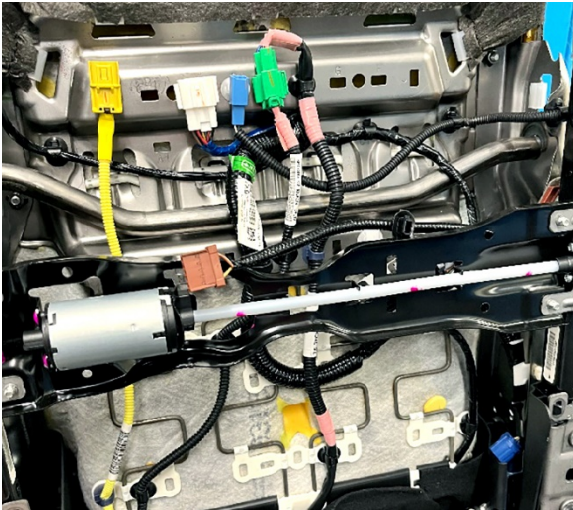
3. With the help of an assistant, carefully remove the front passenger's seat through the front door and place it on a clean, flat surface.

NOTE:

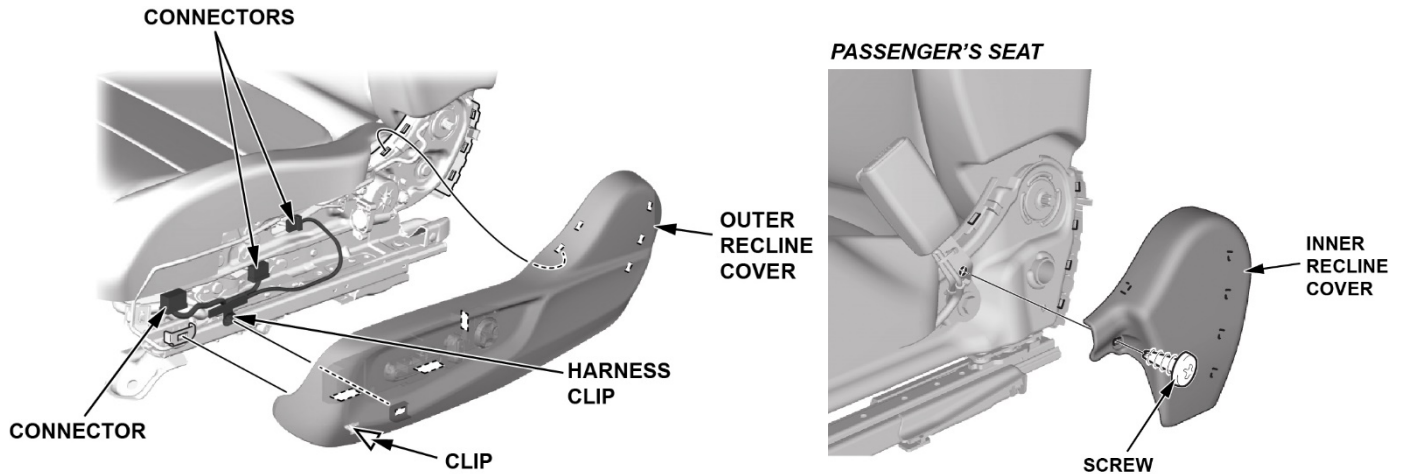
- Use the rubber pads to support the front seat.
- Take care not to damage the side motor.



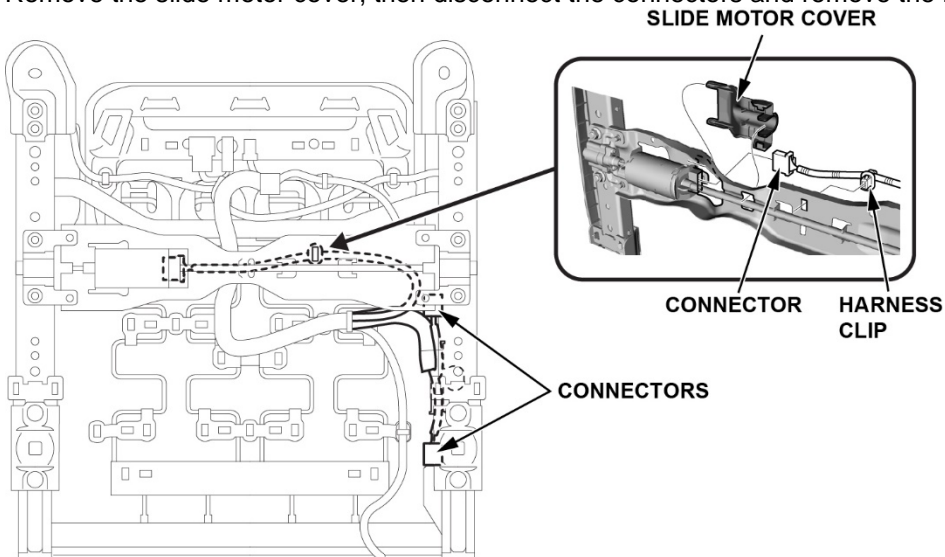
- Take a picture of the harness arrangement underneath the seat, before disconnecting any of the remaining connectors or harness clips.



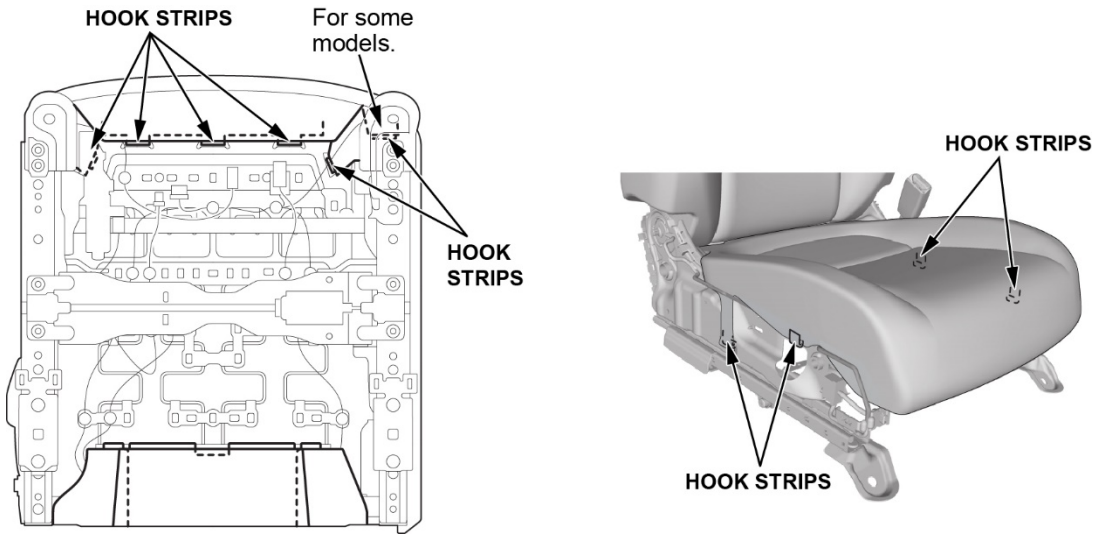
- Remove the power seat front seat recline covers



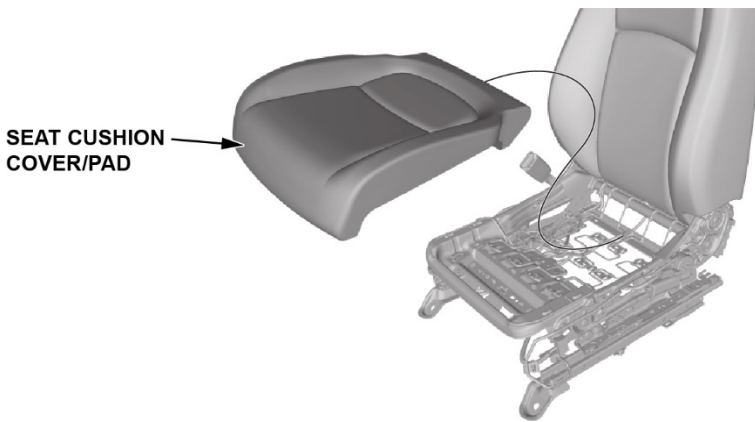
- Remove the slide motor cover, then disconnect the connectors and remove the harness clip.



7. Release the hook strips.

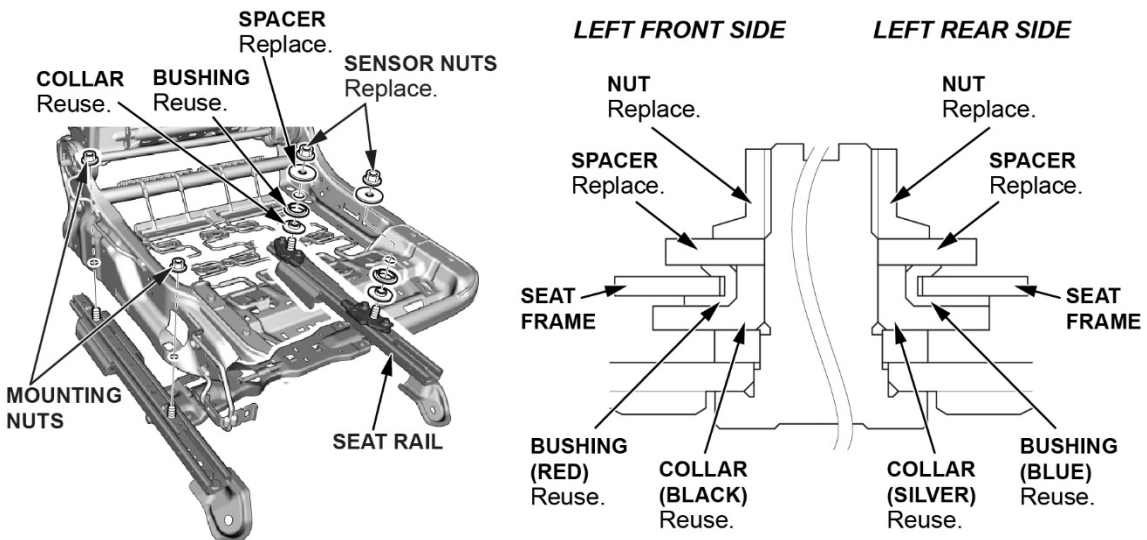


8. Remove the seat cushion cover.



9. Remove the seat rails from the seat frame.

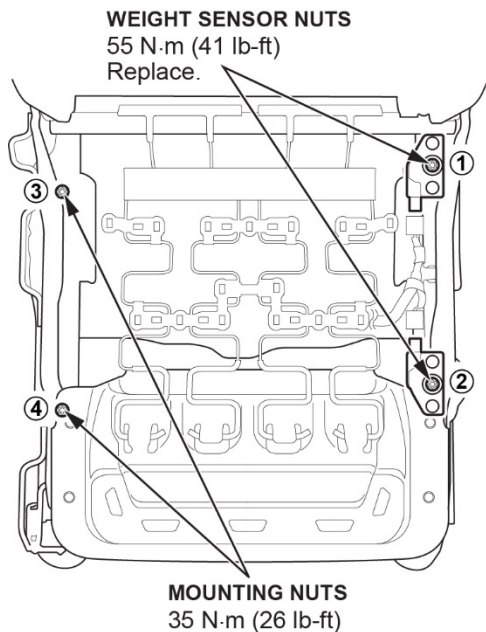
NOTE: Take a picture of all four seat frame nuts, bushings, and collars for reference.



10. Install the front passenger's seat rail weight sensors as an assembly to the seat frame, and loosely tighten the new weight sensor nuts and mounting nuts.

NOTE: The bushings and collars can be identified by their color. Make sure to reinstall the bushings and collars as shown above.

11. Follow the sequence below to tighten the weight sensor nuts and the mounting nuts to the specified torque.

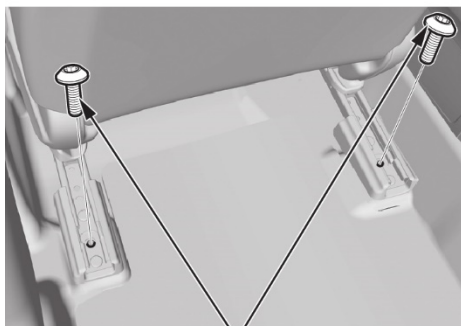


12. Reinstall all of the remaining parts removed in the reverse order of removal.

13. Reinstall the seat in the vehicle.

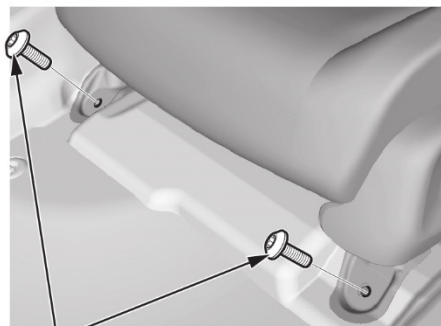
NOTE: Tighten the bolts by hand first, then tighten them to the specified torque in sequence **43 N·m (32 lb-ft)**

REAR SIDE



BOLTS
43 N·m
(32 lb-ft)

FRONT SIDE



BOLTS
43 N·m
(32 lb-ft)

14. Connect the negative terminal of the 12-volt battery. ([Click HERE](#))

15. Do the seat weight sensor initialization ([Click Here](#)).

16. Front Passenger's Weight Sensor Operation Check ([Click HERE](#))

17. Turn the vehicle to the ON mode, and check that the SRS indicator comes on for about 6 seconds and then goes off.

18. Do the steering angle neutral position learn using the i-HDS ([Click Here](#)).