

October 7, 2024

Version 3

Safety Recall: 2021 Civic Type R Seat Weight Sensor (DTC U3000-49)

Supersedes 24-034, dated July 17, 2024, to revise the information.

APPLIES TO

Year	Model	Trim Level	VIN Range
2021	Civic	Type R	Check the iN-VIN status for eligibility.

REVISION SUMMARY

This service bulletin has been revised extensively; American Honda recommends that you this bulletin in its entirety.

BACKGROUND

Affected vehicles may be equipped with seat weight sensors that are not built to proper specifications. Improperly built sensors could lead to cracking and/or a short circuit of the sensor, resulting in the illumination of the SRS warning light and the passenger airbag indicator remaining OFF. In certain collisions, these seat weight sensors may cause improper deployment of the front passenger airbags, increasing the risk of injury.

CUSTOMER NOTIFICATION

Owners of affected vehicles will be sent a notification of this safety recall. Do an iN VIN status inquiry to verify eligibility. Some vehicles affected by this campaign may be in your new or used vehicle inventory.

Failure to repair a vehicle subject to a recall or campaign may subject your dealership to claims or lawsuits from the customer or anyone else harmed as a result of such failure. To see if a vehicle in inventory is affected by this safety recall, do a VIN status inquiry before selling it.

CORRECTIVE ACTION

Replace the seat weight sensors.

WARRANTY CLAIM INFORMATION

For repairs on or after October 7, 2024, you must use the warranty claim information with Template ID C.

For inspection or repairs prior to October 7, 2024, go to page 2.

Operation Number	Description	Flat Rate Time	Defect Code	Symptom Code	Template ID	Failed Part Number
7491E5	Replace seat weight sensors - manual seat (includes seat calibration and DTC clear)	0.7 hr	6XW00	YHH00	A24034C	81126-TGH-A01

Skill Level: Repair Technician

CUSTOMER INFORMATION: The information in this bulletin is intended for use only by skilled technicians who have the proper tools, equipment, and training to correctly and safely maintain your vehicle. These procedures should not be attempted by "do-it-yourselfers," and you should not assume this bulletin applies to your vehicle, or that your vehicle has the condition described. To determine whether this information applies, contact an authorized Honda automobile dealer.

Seat Weight Sensor Kit Serial Number

Enter the Seat Weight Sensor Kit serial number from the Seat Weight Sensor Kit label into the Replacement Serial Number field of the Parts Information section of the warranty claim.

NOTE:

- The Seat Weight Sensor Kit label should be affixed to the repair order by the technician.
- The claim may be rejected if a valid serial number is not included.

Parts Information						
Failed Part No.▪		Failed Part Description▪				
Replacement Serial No.						
Item	Replacement Part No.▪	Quantity▪	Unit Price	Unit Total	Description	
1						Delete
2						Delete
3						Delete
4						Delete
5						Delete
More >						
Materials Information						

For repairs before to October 7, 2024, you must use the warranty claim information with Template IDs ending in A, and B.

NOTE: If the INSPECTION PROCEDURE determines this Service Bulletin doesn't apply, use template B to submit a warranty claim for the inspection.

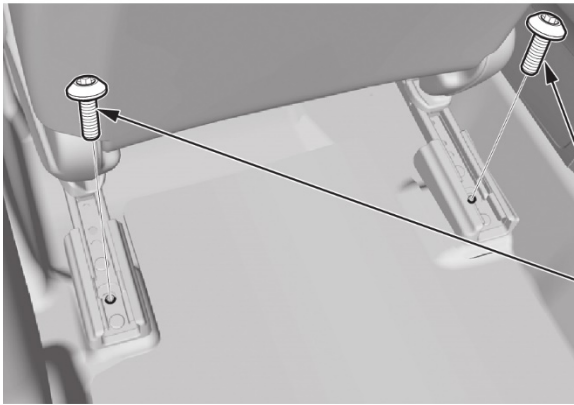
Operation Number	Description	Flat Rate Time	Defect Code	Symptom Code	Template ID	Failed Part Number
8521K5	Replace the manual seat frame (includes inspect and DTC clear).	2.1 hr	6XW00	YHH00	A24034A	81126-TGH-A01
7495A1	For stored DTCs other than DTC U3000-49 and/or inspection determines this Service Bulletin does not qualify for repair at this moment.	0.3 hr	6XZ00	KIT00	A24034B	81136-T20-A61

PARTS INFORMATION

Seat Weight Sensor Kit, P/N: 04945-TBA-A00 has been allocated to dealers in limited quantities. Honda will continue to allocate kits on a weekly basis. Refer to the Parts Information Bulletin 24-0020, *Multi-Model Seat-Weight Sensor Safety Recall Parts Availability*, for details regarding parts availability and ordering.

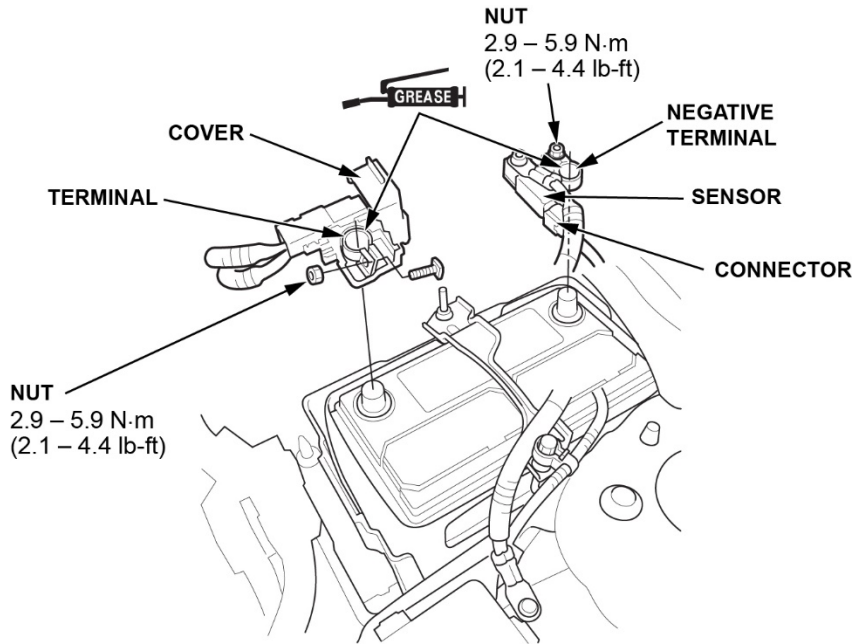
3. Slide the seat all the way forward, and remove the rear side fasteners.

REAR SIDE



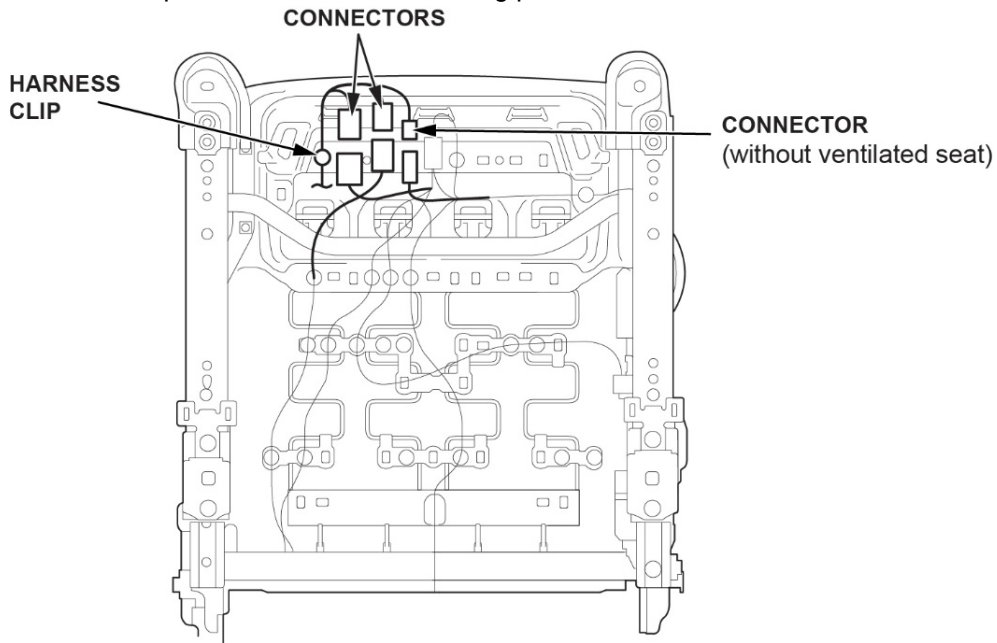
BOLTS
43 N·m
(32 lb-ft)

4. Disconnect the negative terminal of the 12-volt battery.

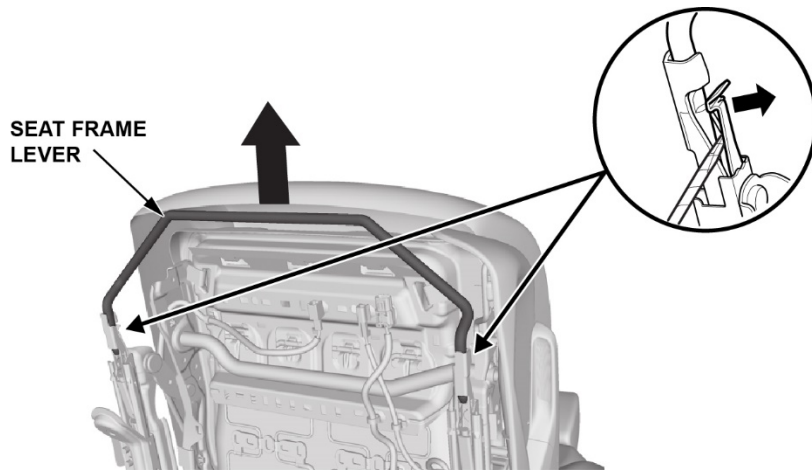


5. Lift the front seat, then disconnect the connectors, and detach the harness clips.

NOTE: Take a picture of the harness routing prior to removal for future reference.

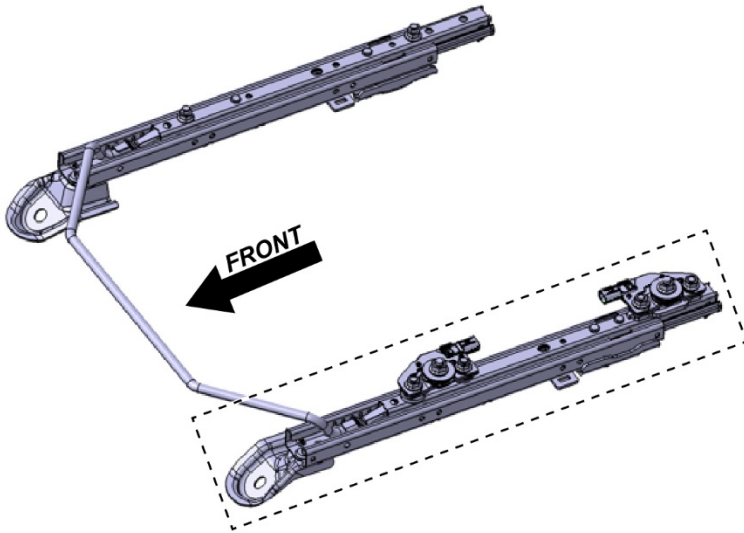


6. With the help of an assistant, carefully remove the front seat through the front door opening. Then, place the seat on a suitable area to work.
7. Remove the seat frame lever.

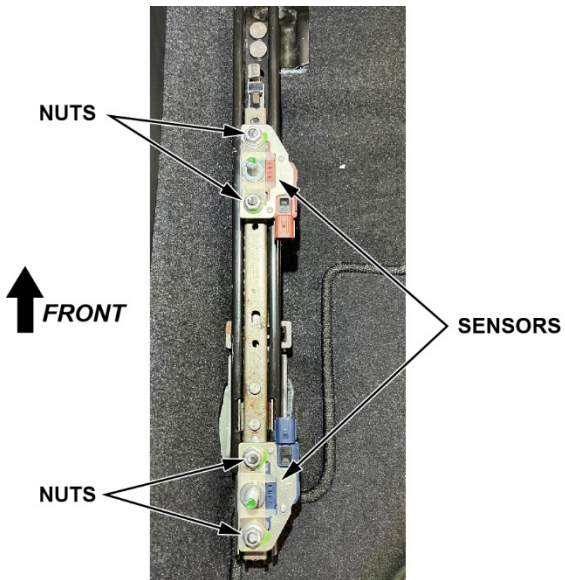


8. Disconnect the seat weight sensor connectors from the seat harness

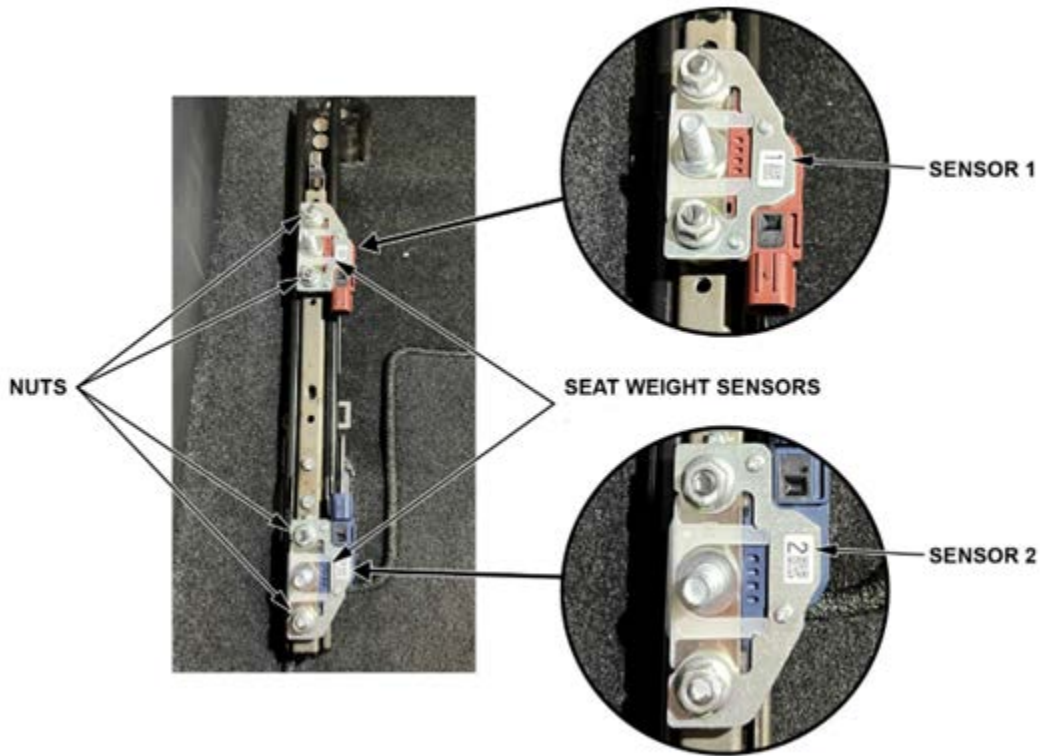
9. Remove the inner seat rail from the seat.



10. Mount the seat rail into the vehicle and remove and discard the seat weight sensors and nuts.

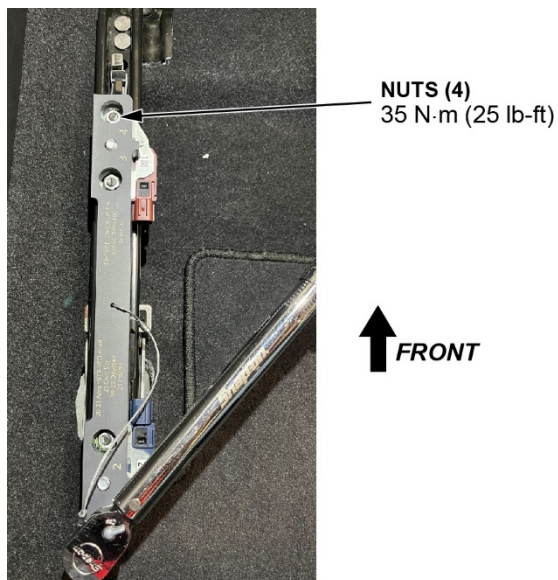
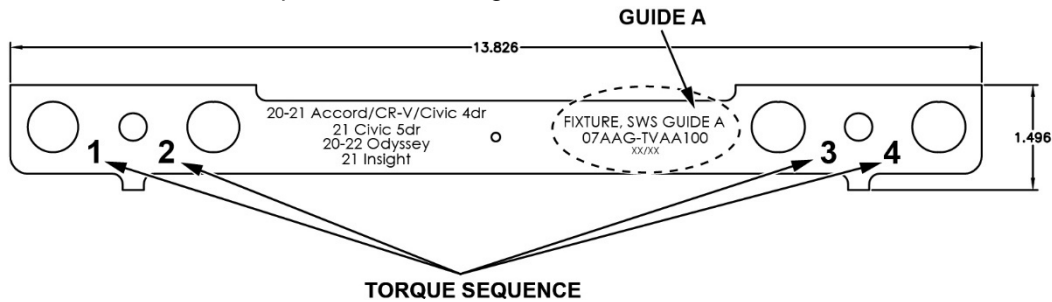


11. Loosely install the new sensors and new nuts in the orientation shown.



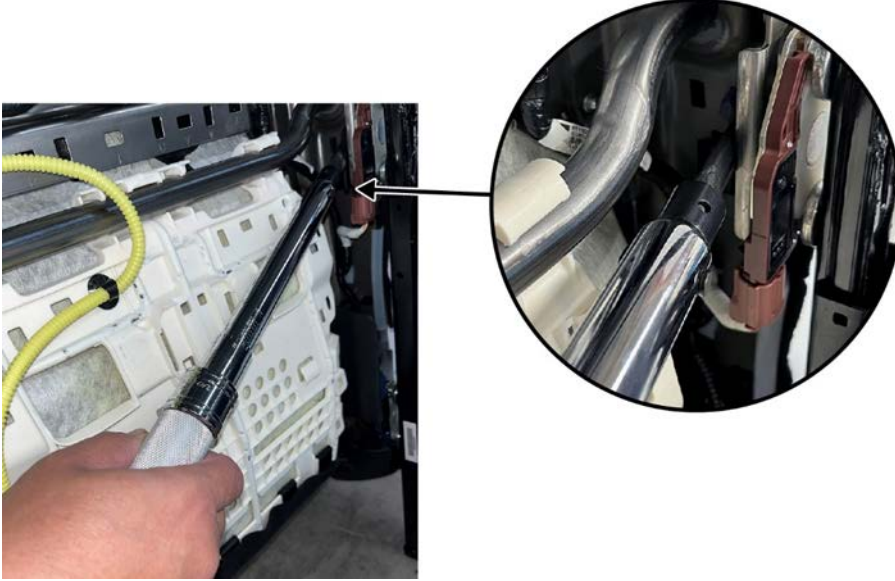
12. Place the SWS Fixture Guide A onto the new seat weight sensors with the tabs located to the inside of the seat track. With the guide properly seated on the new sensors, torque nuts to **35 N·m (26 lb-ft)** in the order shown on the **SWS Fixture Guide**.

NOTE: Use the socket provided with the guide.



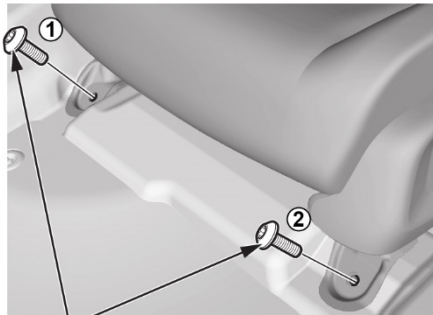
13. Remove the inner seat rail from the vehicle and mount it to the seat frame and torque to **55 N·m (41 lb-ft)**.

NOTE: Use the Snap-On Torque Wrench (07AAA-TVAA400) and box-end head to tighten the seat rail nuts. Install the seat back into the vehicle and connect the connectors.



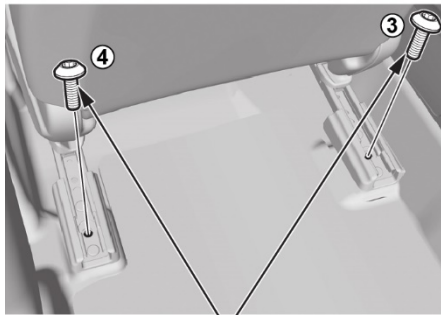
14. Install the bolts to the passenger's seat and tighten them by hand first, then tighten them to the specified torque in the sequence.

FRONT SIDE



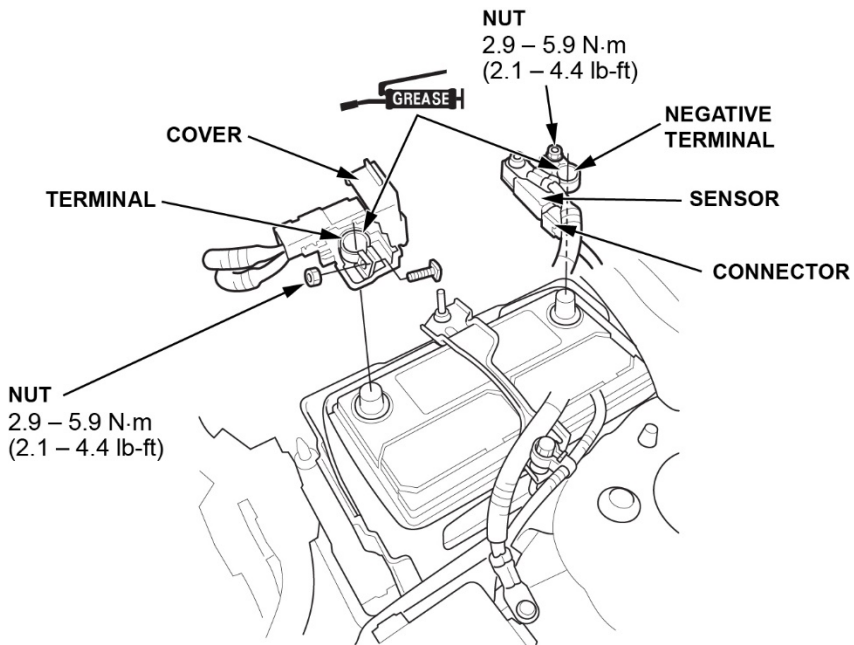
BOLTS
43 N·m
(32 lb-ft)

REAR SIDE



BOLTS
43 N·m
(32 lb-ft)

15. Connect the negative terminal of the 12-volt battery.



16. Do the seat weight sensor initialization ([Click Here](#)).

17. Do the front weight sensor operation check ([Click Here](#)).

18. Confirm the SRS operation: Turn the vehicle to the ON mode, and check that the SRS indicator comes on for about 6 seconds and then goes off.

19. Do the steering neutral position learn procedure ([Click Here](#)).