

October 18, 2024

Version 2

## Safety Recall: Fit Seat Weight Sensor (DTC U3000-49)

Supersedes 24-035, dated July 17, 2024, to revise the information.

### APPLIES TO

Year	Model	Trim Level	VIN Range
2020	Fit	EX, LX, Sport	Check the iN VIN status for eligibility.

### REVISION SUMMARY

Information on the first two pages of this bulletin has been extensively revised. American Honda recommends reviewing this information in its entirety

### BACKGROUND

Affected vehicles may be equipped with seat weight sensors that are not built to proper specifications. Improperly built sensors could lead to cracking and/or a short circuit of the sensor, resulting in the illumination of the SRS warning light and the passenger airbag indicator remaining OFF. In certain collisions, these seat weight sensors may cause improper deployment of the front passenger airbags, increasing the risk of injury.

### CUSTOMER NOTIFICATION

Owners of affected vehicles will be sent a notification of this safety recall. Do an iN VIN status inquiry to verify eligibility. Some vehicles affected by this campaign may be in your new or used vehicle inventory.

Failure to repair a vehicle subject to a recall or campaign may subject your dealership to claims or lawsuits from the client or anyone else harmed as a result of such failure. To see if a vehicle in inventory is affected by this safety recall, do a VIN status inquiry before selling it.


### CORRECTIVE ACTION

Replace the seat weight sensors.

### WARRANTY CLAIM INFORMATION

For repairs on or after October 18, 2024, you must use the warranty claim information with Template ID C.

For inspection or repairs before October 18, 2024, go to page 2.

Operation Number	Description	Flat Rate Time	Defect Code	Symptom Code	Template ID	Failed Part Number
7491E5	Replace weight Sensors – manual seat (includes DTC check).	1.0 hr	6XW00	QMH00	A24035 	81136-T5R-A02

Skill Level: Repair Technician

**CUSTOMER INFORMATION:** The information in this bulletin is intended for use only by skilled technicians who have the proper tools, equipment, and training to correctly and safely maintain your vehicle. These procedures should not be attempted by “do-it-yourselfers,” and you should not assume this bulletin applies to your vehicle, or that your vehicle has the condition described. To determine whether this information applies, contact an authorized Honda automobile dealer.

### Seat Weight Sensor Kit Serial Number

Enter the Seat Weight Sensor Kit serial number from the Seat Weight Sensor Kit label into the Replacement Serial Number field of the Parts Information section of the warranty claim.

NOTE:

- The Seat Weight Sensor Kit label should be affixed to the repair order by the technician.
- The claim may be rejected if a valid serial number is not included.

Parts Information							
Failed Part No.▪		<input type="text"/>	Failed Part Description▪				<input type="text"/>
Replacement Serial No.		<input type="text"/>					
Item	Replacement Part No.▪	Quantity▪	Unit Price	Unit Total	Description		
1	<input type="text"/>	<input type="text"/>	<input type="text"/>	<input type="text"/>	<input type="text"/>	<a href="#">Delete</a>	
2	<input type="text"/>	<input type="text"/>	<input type="text"/>	<input type="text"/>	<input type="text"/>	<a href="#">Delete</a>	
3	<input type="text"/>	<input type="text"/>	<input type="text"/>	<input type="text"/>	<input type="text"/>	<a href="#">Delete</a>	
4	<input type="text"/>	<input type="text"/>	<input type="text"/>	<input type="text"/>	<input type="text"/>	<a href="#">Delete</a>	
5	<input type="text"/>	<input type="text"/>	<input type="text"/>	<input type="text"/>	<input type="text"/>	<a href="#">Delete</a>	
<a href="#">More &gt;</a>							
Materials Information							

For repairs **before October 18, 2024**, you must use the warranty claim information with Template IDs ending in **A**, **B**, and **C**.

NOTE: If the INSPECTION PROCEDURE determines this Service Bulletin doesn't apply, use template B to submit a warranty claim for the inspection.

Operation Number	Description	Flat Rate Time	Defect Code	Symptom Code	Template ID	Failed Part Number
8611L0	Replace seat cushion frame (includes inspect and DTC clear)	1.4 hr	6XW00	QMH00	A24035 <b>A</b>	81136-T5R-A02
7495A1	For stored DTCs other than DTC U3000-49, or inspection determines this service bulletin does not apply.	0.3 hr	6XZ00	KIT00	A24035 <b>B</b>	81136-T20-A61

Skill Level: Repair Technician

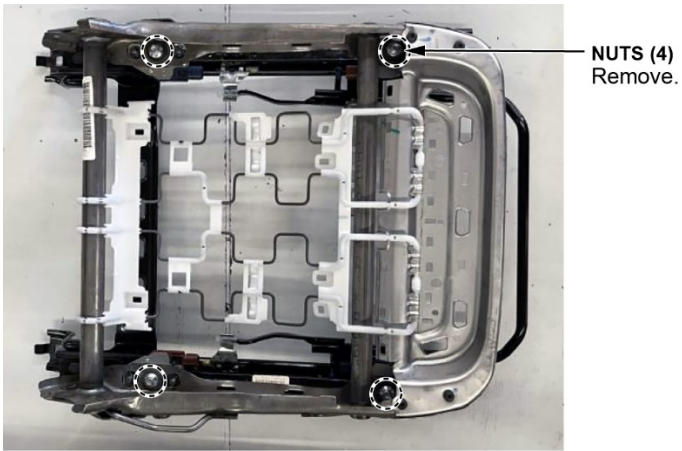
### PARST INFORMATION

Seat Weight Sensor Kit, P/N 04945-T5R-A00 has been allocated to dealers in limited quantities. Honda will continue to allocate kits on a weekly basis. Refer to the Parts Information Bulletin 24-0020, *Multi-Model Seat-Weight Sensor Safety Recall Parts Availability*, for details regarding parts availability and ordering.

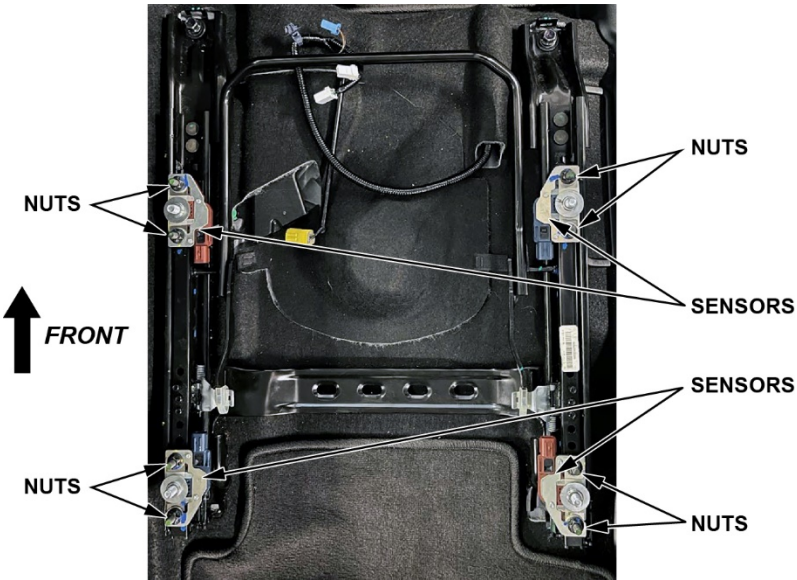
Part Name	Part Number	Quantity
Seat Weight Sensor Kit	04945-T5R-A00	1



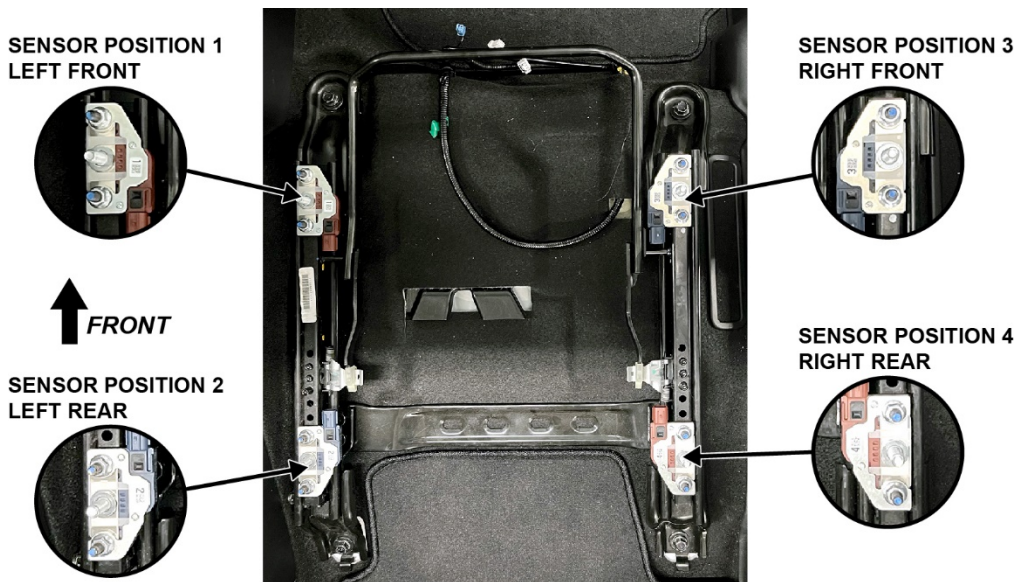
7. Remove and discard the 4 nuts and washers attaching the rail to the seat frame.



8. Mount the seat rail in the vehicle and remove the 4 seat weight sensors, then discard the nuts and sensors

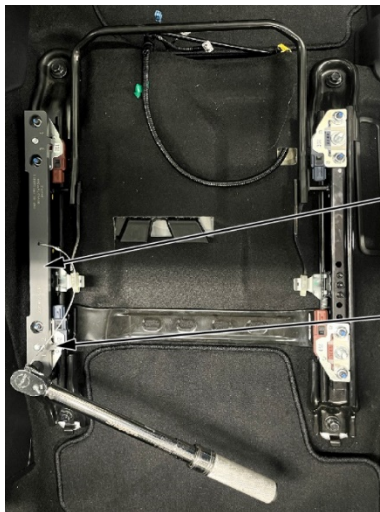
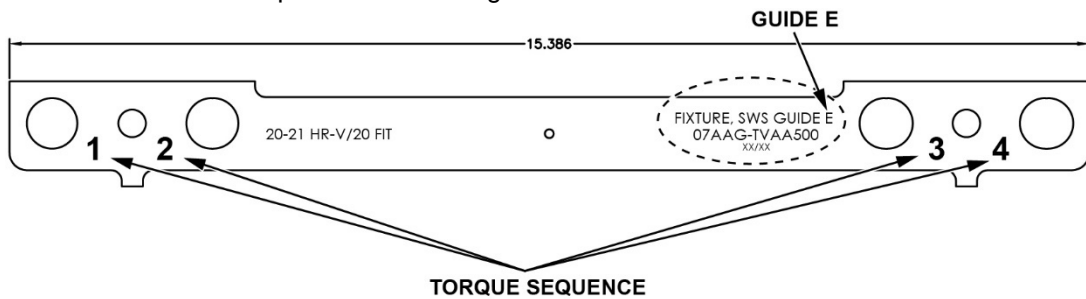


9. Install the new sensors and nuts in the orientation shown.



10. Place the **SWS Fixture Guide E** onto the new seat weight sensors with the tabs located to the inside of the seat track. With the guide properly seated on the new sensors, torque nuts to **35 N·m (26 lb-ft)** in the order shown on the SWS fixture guide, using the socket provided with the guide.

NOTE: Use the socket provided with the guide.



SWS FIXTURE GUIDE

TABS  
Tabs located  
to the inside.

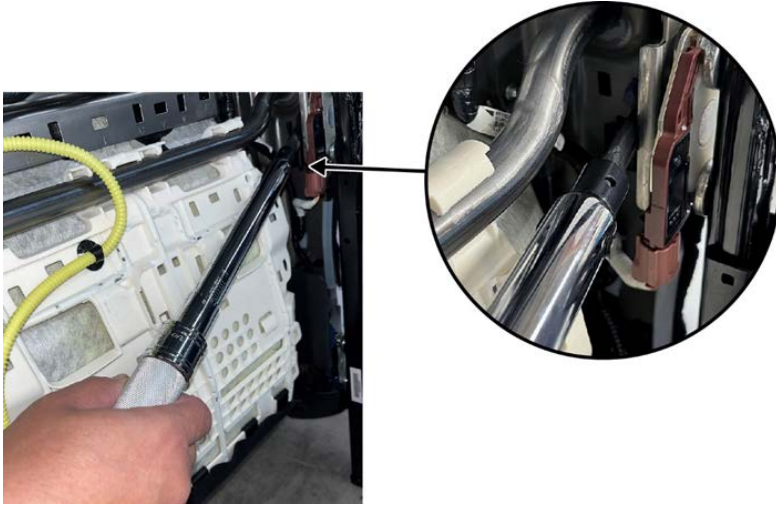
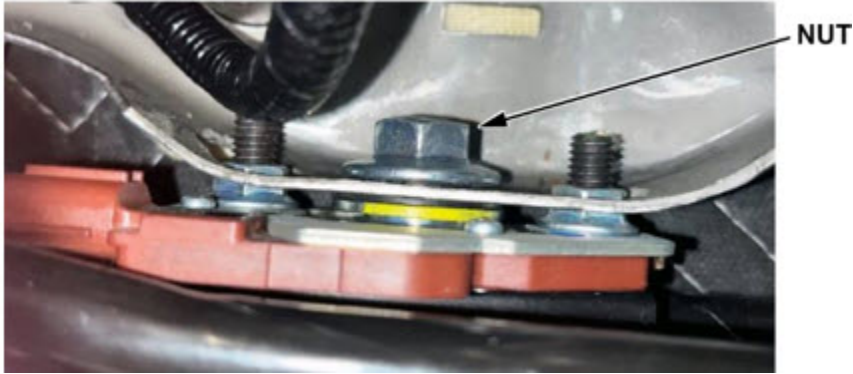


SWS FIXTURE GUIDE

TABS  
Tabs located  
to the inside.

11. Remove the rail from the vehicle and reinstall on the seat frame with new flange nuts, then torque them to **55 N·m (40 lb-ft)**.

NOTE: Use the Snap-On Torque Wrench (P/N QD21N100A) and the box-end head to tighten the seat rail nuts.

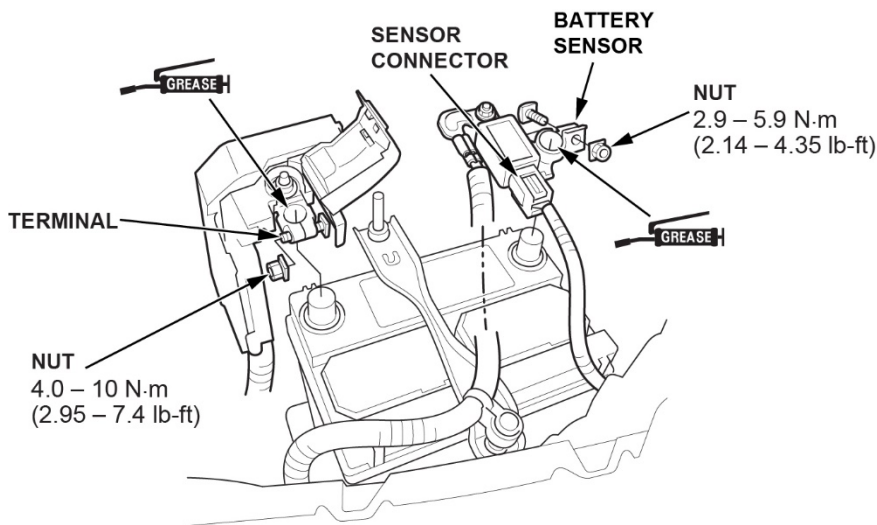


12. Install the remaining parts in reverse order of removal.

13. Install the passenger's front seat.

- *Front Seat Removal and Installation* ([Click Here](#))

14. Reconnect the negative battery terminal of the 12-volt battery.



15. Do the *Front Passenger's Weight Sensor Unit Initialization* ([Click Here](#))
16. Do the *Front Passenger's Weight Sensor Unit Operation Check* ([Click Here](#))
17. Do the *VSA Sensor Neutral Position Memorization* ([Click Here](#))
18. Confirm SRS Operation
  - Turn the vehicle to the ON mode and check that the SRS indicator comes on for about **6 seconds**, then goes off.