

Safety Recall: 2021 TLX Seat Weight Sensor (DTC U3000-49)

AFFECTED VEHICLES

Year	Model	Trim Level	VIN Range
2021	TLX	ALL	Check the iN VIN status for eligibility.

BACKGROUND

Affected vehicles may be equipped with seat weight sensors that are not built to proper specifications. Improperly built sensors could lead to cracking and/or a short circuit of the sensor, resulting in the illumination of the SRS warning light and the passenger airbag indicator remaining OFF. In certain collisions, these seat weight sensors may cause improper deployment of the front passenger airbags, increasing the risk of injury.

CLIENT NOTIFICATION

Owners of the affected vehicles will be sent a notification of this campaign.

Do an iN VIN status inquiry to make sure the vehicle is shown as eligible.

Some vehicles affected by this campaign may be in your new or used vehicle inventory.

Failure to repair a vehicle subject to a recall or campaign may subject your dealership to claims or lawsuits from the client and/or anyone else harmed as a result of such failure. To verify if a vehicle in inventory is affected, do a VIN status inquiry before selling it.

CORRECTIVE ACTION

- If the SRS warning light is not illuminated, refer to campaign notice 24-023.
- If the SRS warning light is illuminated, follow the inspection procedure outlined in this bulletin.

PARTS INFORMATION

Due to a limited supply of controlled parts, they require prior approval before shipping. This will be determined by the INSPECTION PROCEDURE, follow the steps provided by the QR code.

CLIENT INFORMATION: The information in this bulletin is intended for use only by skilled technicians who have the proper tools, equipment, and training to correctly and safely maintain your vehicle. These procedures should not be attempted by “do-it-yourselfers,” and you should not assume this bulletin applies to your vehicle, or that your vehicle has the condition described. To determine whether this information applies, contact an authorized Acura automobile dealer.

WARRANTY CLAIM INFORMATION

NOTE: An Inspection without replacement of the seat weight sensor does not complete the repair and does not close the campaign.

Base, Tech, A-Spec

Operation Number	Description	Flat Rate Time	Defect Code	Symptom Code	Template ID	Failed Part Number
8611L0	Replace the seat weight sensor (Including inspection and DTC check).	2.2 hr	6XW00	PHJ00	B24015A	81136-TJB-A21

Advance, Type S

8611L0	Replace the seat weight sensor (Including inspection and DTC check).	2.2 hr	6XW00	PHJ00	B24015B	81136-TJB-A61
--------	--	--------	-------	-------	---------	---------------

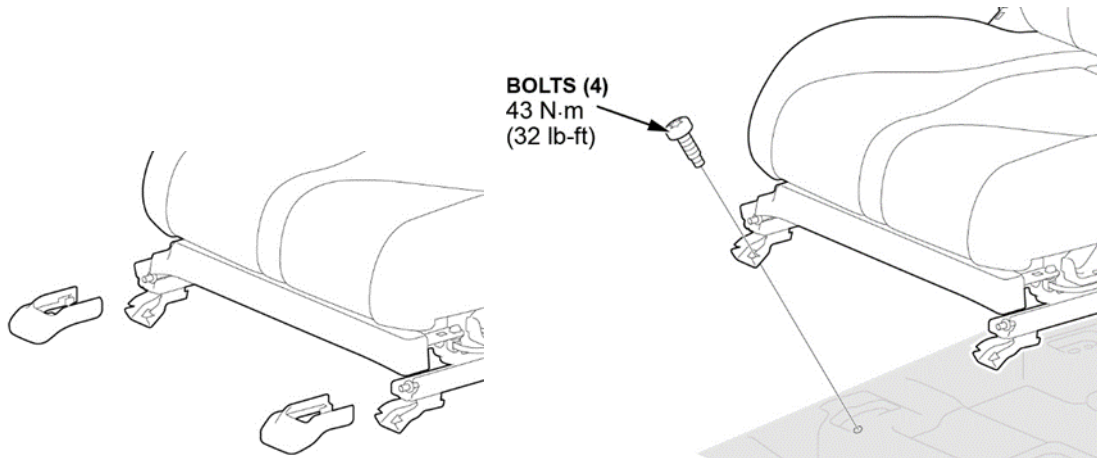
Skill Level: Repair Technician

INSPECTION PROCEDURE

1. Check if the SRS indicator is ON.
2. If the indicator is ON, do an All DTC check using the HDS.
3. If DTC U3000-49 (Internal Failure of the SRS Unit) is present, continue to step 4.

If DTCs other than U3000-49 are found, this service bulletin does not apply. Continue with normal troubleshooting.

4. Remove passenger seat foot covers and seat mounting bolts.

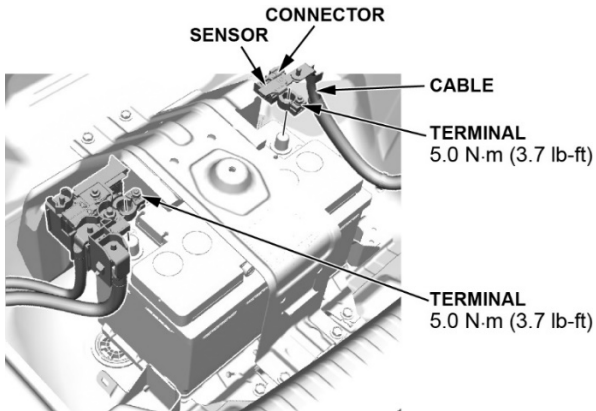


5. Move the front passenger's seat to the most forward position and raise the seat bottom to the highest position, then remove the rear mounting bolts **43 N·m (32 lb-ft)**.

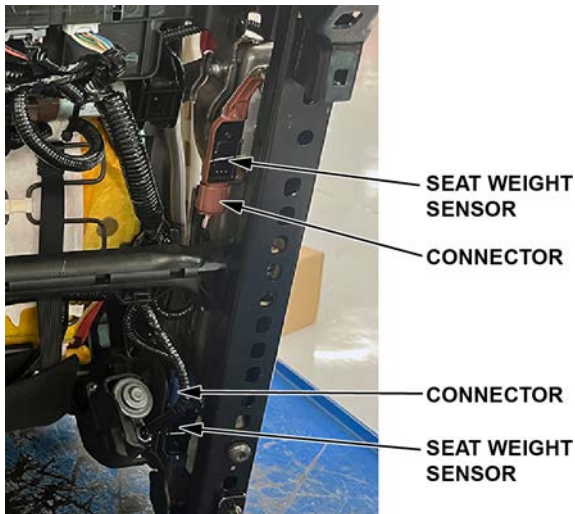
6. Disconnect the negative terminal of the 12-volt battery.

NOTE:

- To protect the 12-volt battery sensor connector from damage, do not hold it when removing the negative terminal.
- Do not disconnect the 12-volt battery sensor from the negative terminal.
- Wait at least **3 minutes** before starting work.



7. Tilt the seat back and disconnect the 2 seat weight sensor connectors from the seat harness.



8. Connect the negative terminal of the 12-volt battery **5.0 N·m (3.7 lb-ft)**.

9. With the seat weight sensors disconnected, clear the DTC and do an **All DTC** check.

NOTE: Other new DTCs may be stored due to the seat weight sensors being unplugged. Disregard these new DTCs at this time.

- If DTC U3000-49 (Internal Failure of the SRS Unit) does not return, scan the QR code with a capable device and complete the form.

NOTE:

- This form must be filled out before parts can be ordered.
- If you can't scan the QR code, ([Click HERE](#)).



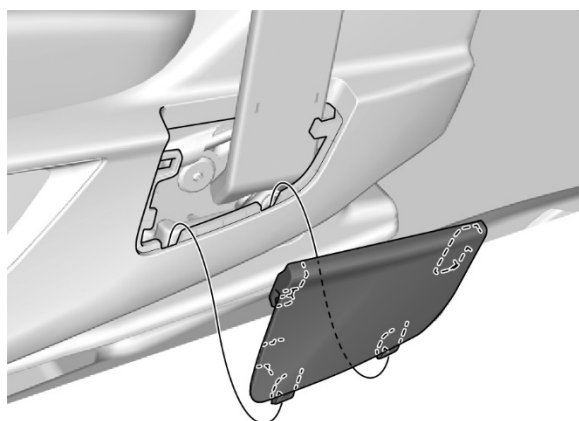
- If DTC U3000-49 does return, this service bulletin does not apply. Reconnect the SWS connectors and continue with normal troubleshooting.

REPAIR PROCEDURE

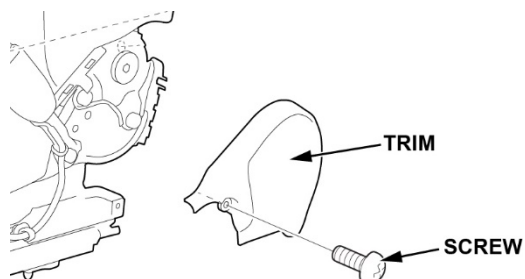
1. Disconnect the negative terminal of the 12V battery.

NOTE: Wait **3 minutes** before beginning work.

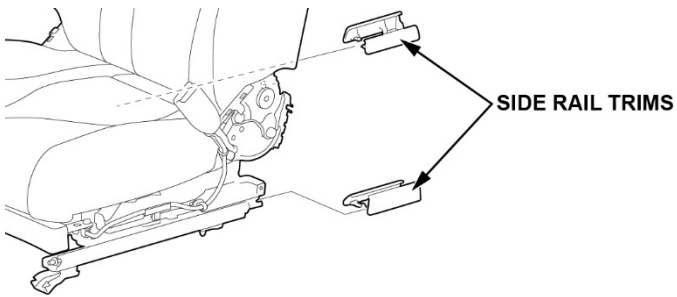
2. Remove the right front seat belt bolt cover and front seat belt anchor bolt. (driver's side is shown).



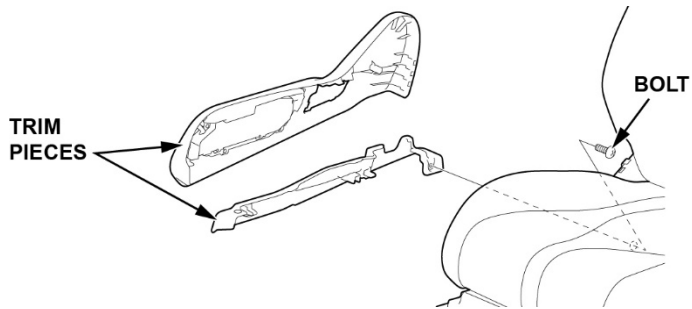
3. Disconnect the floor harness clip and disconnect the connectors underneath the seat.
4. Remove the seat from the vehicle.
5. Remove the screw and the trim on the left side.



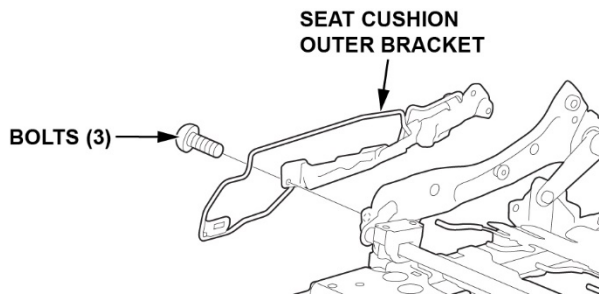
6. Remove the two bottom side rail trims.



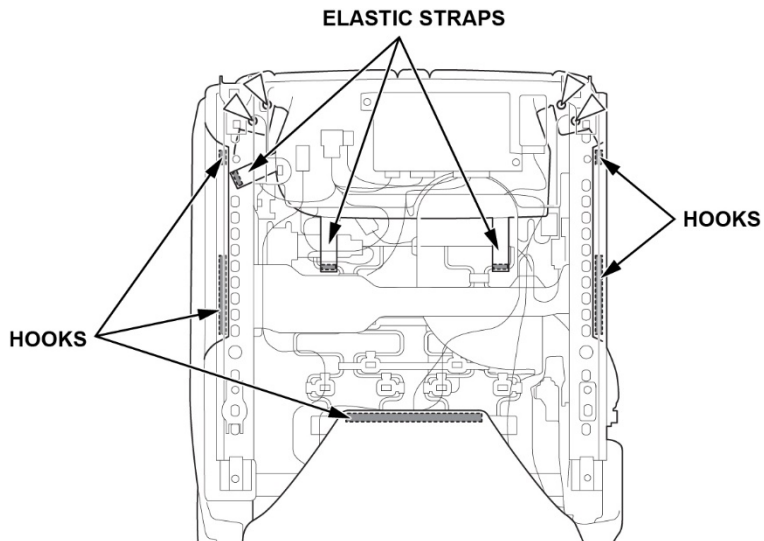
7. Remove the right-side trim pieces.



8. Remove the front passenger seat cushion's outer bracket.



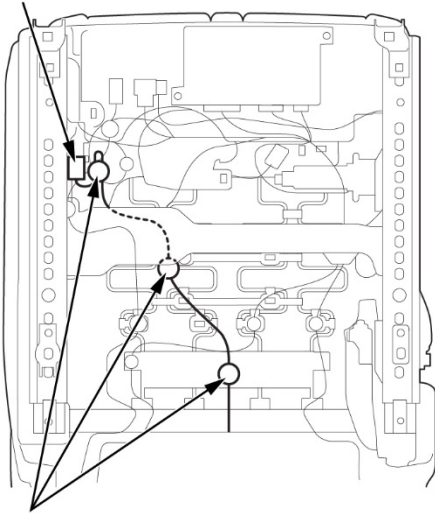
9. Remove the elastic straps and the hooks.



10. Disconnect the connectors and remove the harness clips.

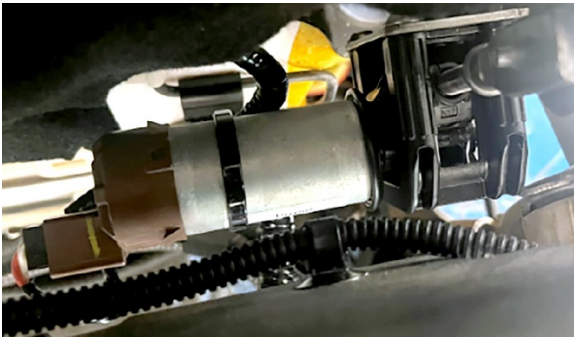
NOTE: Take a photo of the of the harness for future reference when installing.

CONNECTOR



HARNESS CLIPS

11. Disconnect the connector to the motor and cut the clip (if equipped).



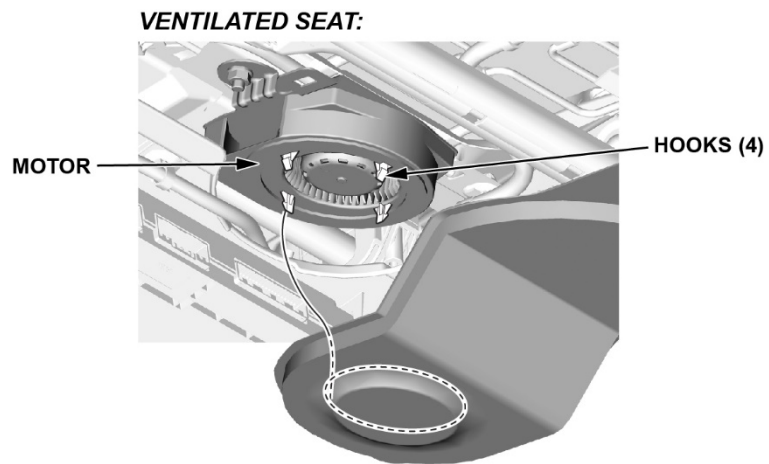
12. Remove the connector and clip (if equipped).



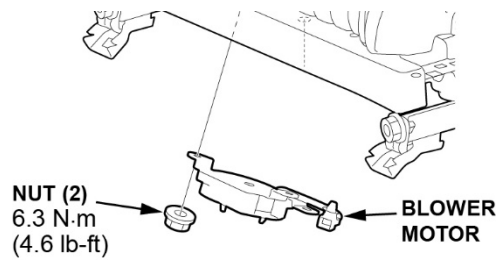
13. Remove the harness clip.



14. Release hooks from the ventilated seat motor (if equipped).

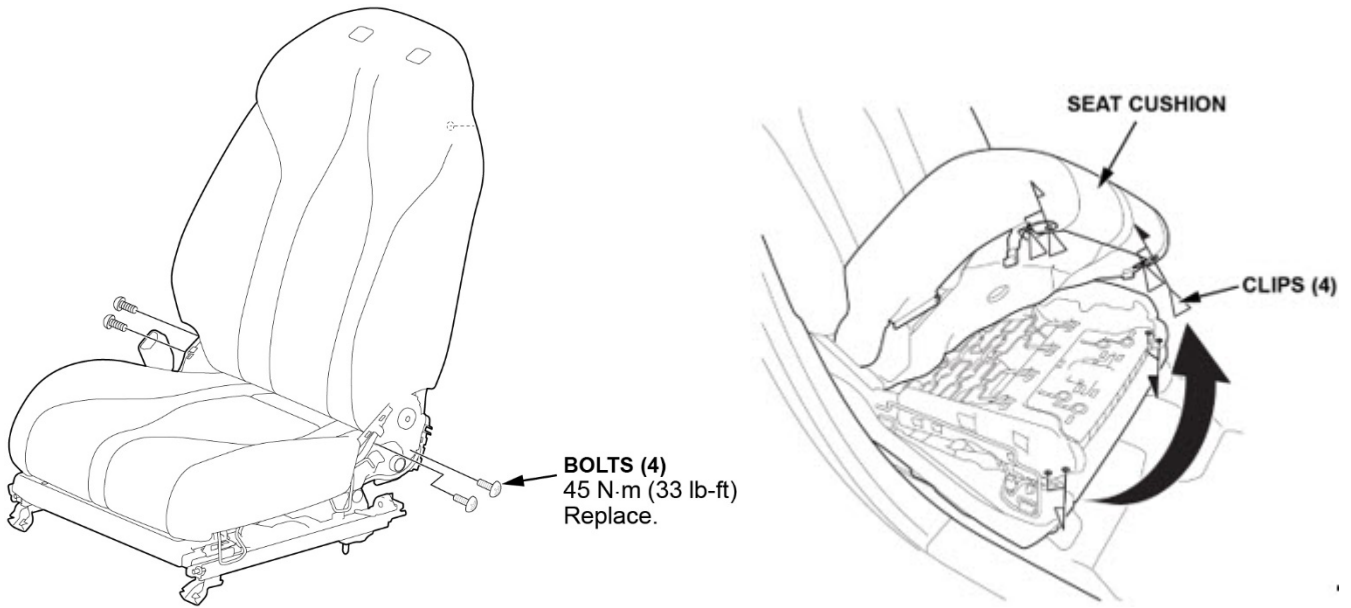


15. Remove the blower motor.

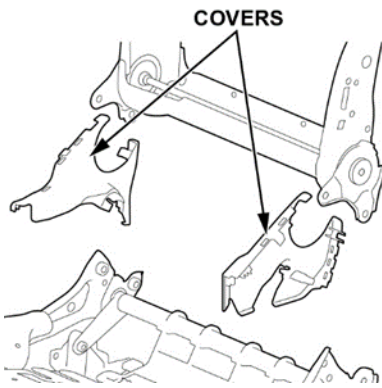


16. Lift off the seat cover and foam from the frame.

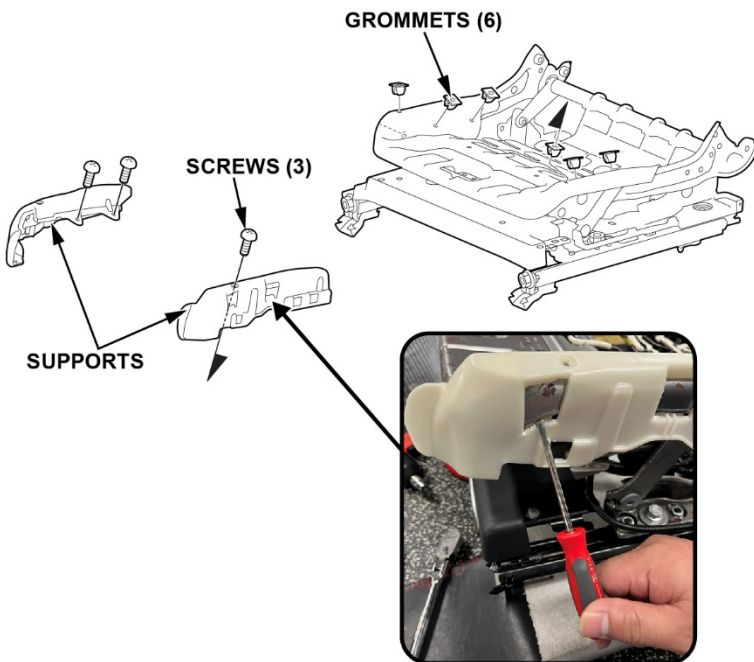
17. Remove the 4 bolts holding the seat back, and then remove the seat cushion and cover.



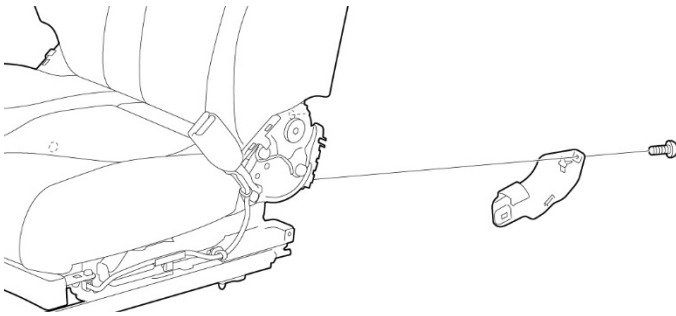
18. Remove the two covers.



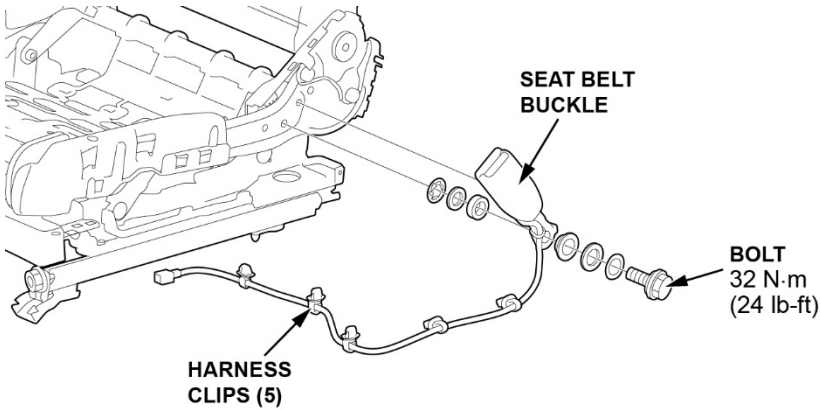
19. Remove the screws from the supports and the 6 grommets in the seat pan.



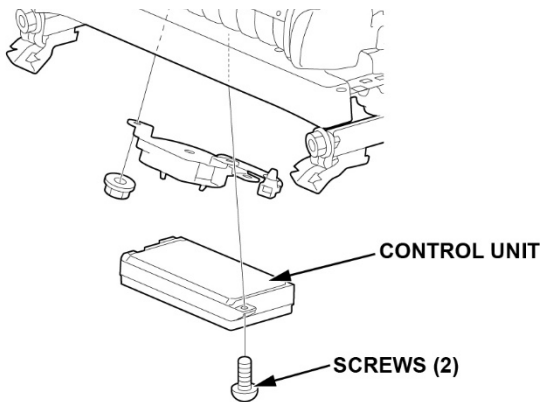
20. Remove the lower trim cover.



21. Remove the seat belt buckle and harness clips.

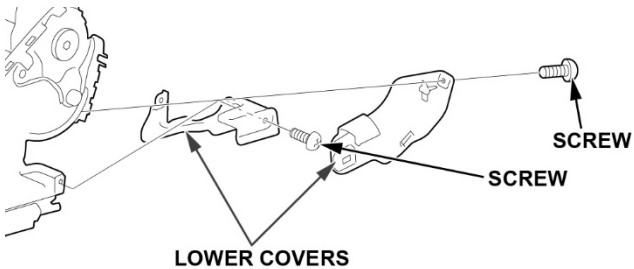


22. Remove the control unit.

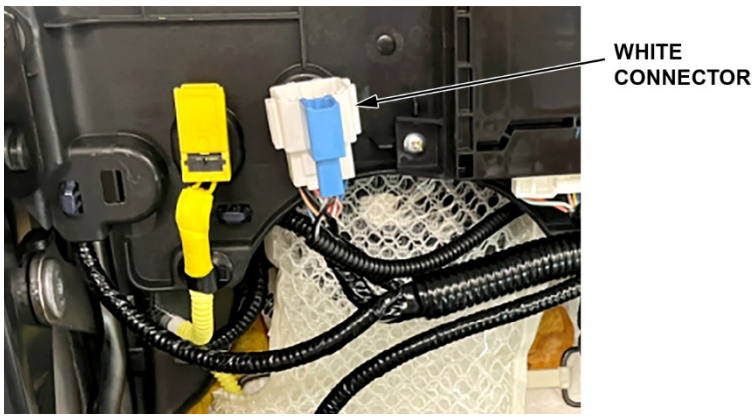


23. Transfer all removed parts to the new lower seat frame, then reassemble following the previous steps in reverse order of removal.

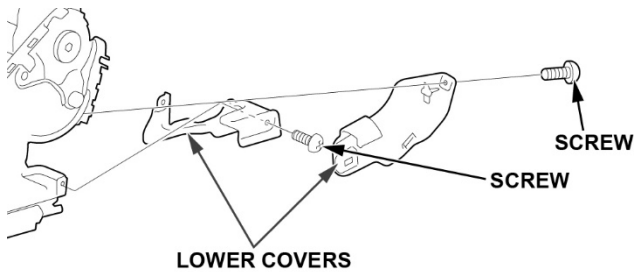
NOTE: Do not install the two lower covers at this time.



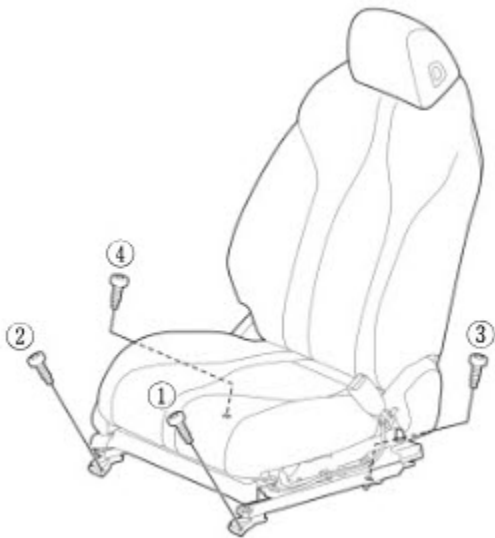
24. Put the seat in the vehicle and connect only the white power seat connector to the floor harness.



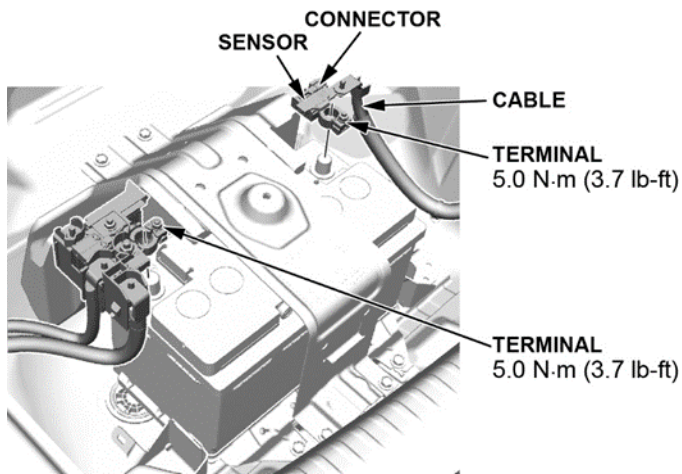
25. Connect the negative cable of the 12-volt battery.
26. Raise the seat to the highest position.
27. Disconnect the negative terminal of the 12-volt battery.
28. Disconnect the white power seat connector.
29. Remove the front passenger seat.
30. Install the two covers.



31. Install all remaining parts in the reverse order of removal.
32. Install the seat and hand tighten the bolts first, then torque them in the sequence shown **43 N·m (32 lb-ft)**.



33. Connect the terminal to the 12-volt battery.



NOTE: Do not hold the 12-volt battery sensor connector when installing the terminal to protect it from damage.

34. Apply multipurpose grease to the terminals to prevent corrosion.

35. Do the Front Passenger's Weight Sensor Initialization:

NOTE:

- Before doing this procedure, clear the DTCs.
- When you replace or update the SRS unit, initialize the front passenger's weight sensor with the HDS.
- When you replace or remove the front passenger's weight sensor, the front passenger's seat frame, or the front passenger's seat rail, initialize the front passenger's weight sensor with the HDS.

1. Turn the vehicle to the OFF (LOCK) mode.
2. Connect the DST-i to the data link connector (DLC) (A) located under the driver's side of the dashboard.

NOTE: Update cannot be done when the HDS is connected to the DST-1.

3. Turn the vehicle to the ON mode, but do not start the engine.
4. Activate the HDS, then make sure the HDS communicates with the PCM and other vehicle systems. If it doesn't, go to the DLC circuit troubleshooting.

NOTE:

- Before doing this procedure, make sure the Battery is fully charged.
- Make sure the front passenger's seat and all components of the seat are correctly installed.
- Make sure nothing is on the front passenger's seat, including aftermarket seat covers or mats.
- Make sure there is nothing in the front passenger's seat-back pocket.
- Make sure the vehicle is on level ground.
- When you perform this procedure, the vehicle temperature must be between **41- 113 °F (5 - 45°C)**.
- When the vehicle is exposed to intense cold or intense heat, move the vehicle inside, open the windows and moonroof (if equipped), and perform this procedure after one hour or more.
- Do not expose the front passenger's seat to sudden temperature changes.
- Do not use the A/C and the heater.
- Do not touch the front passenger's seat, and keep the vehicle stationary during this procedure.
- Do not attach the seat belt tongue into the buckle.
- If possible, do all of the above procedures indoors.

5. Apply the parking brake.
6. Position the front passenger's seat all the way rearward and lowermost (if equipped with the height adjuster), then adjust the seat-back to the forwardmost position.

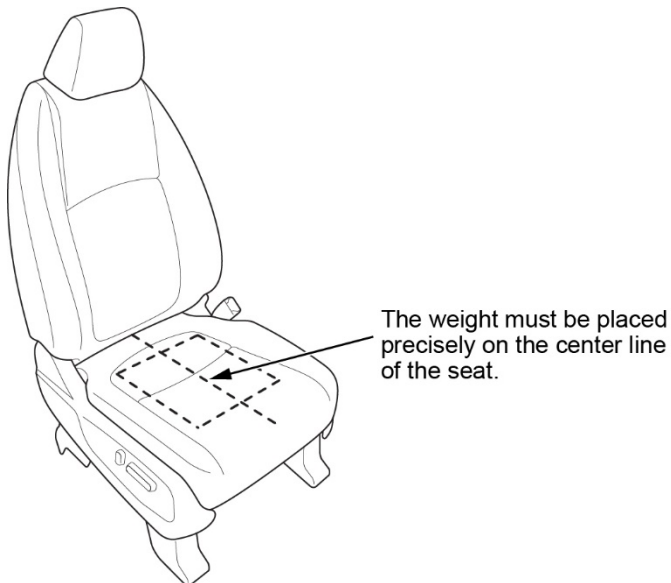
NOTE: Do not move the seat from this position until the initialization is completed.

7. Select the following menu buttons on the HDS screen in sequence.
 1. **SRS (System Selection Menu)**
 2. **SWS**
 3. **Adjustment**
 4. **SWS Initialization**
 - Follow the prompts until the front passenger's weight sensor initialization has been completed.
8. Select the following menu buttons on the HDS screen in sequence.
 1. **SRS (System Selection Menu)**
 2. **SWS**
 3. **Data List**
 4. **FRONT PASSENGER'S WEIGHT**
 - The weight (T0) of the front passenger's seat is displayed by the HDS. Write this measurement down as "T0" on a piece of paper.
 - If the reading on the HDS (T0) is within **± 0.35 kg (± 0.77 lbs)**, go to the next step.
 - If the reading on the HDS (T0) is at or not within **± 0.35 kg (± 0.77 lbs)**, do the following and repeat the procedure from step 5.
 - Confirm that the seat has no interference with surrounding components.
 - Remove the front passenger's weight sensors (if they were not reinstalled), reinstall them, then repeat this procedure from step 5.
 - If after reinstalling the front passenger's weight sensors, the HDS (T0) is still at or not within **± 0.35 kg (± 0.77 lbs)**, replace the front passenger's weight sensors, then repeat this procedure from the beginning.
9. Prepare a weight between **10 kg (22 lbs) – 20 kg (44 lbs)**, then measure and note its actual weight (M) with a weight scale.

NOTE:

- The accuracy of the weight scale must be within **± 1 kg (2 lbs)**.
- The weight must be uniform in shape and size to allow precise placement on the seat.

10. Precisely place the prepared weight on the center of the front passenger's seat as shown.



11. From the Data List, select **FRONT PASSENGER'S WEIGHT**. The weight (T) of the front passenger's seat is displayed by the HDS. Write this measurement down as "T" on a piece of paper.
12. Divide (M) by 2. Write this calculation as "M1" on a piece of paper.

13. Calculate the variance between (M1) and the HDS (T) with the following formula.

$$\text{Variance} = (T) - (M1)$$

T: Weight measured by the HDS with the weight on the seat.

M1: Half of the weight measured by the weight scale.

- If the variance is within **±2.2 kg (±4.9 lbs)**, initialization is complete. Go to the next step.
- If the variance is at or not within **±2.2 kg (±4.9 lbs)**, do the following and repeat the procedure from step 5.
 - Confirm that the seat has no interference with surrounding components.
 - Confirm that the weight was placed precisely in the center of the seat.
 - Remove the front passenger's weight sensors, reinstall them, then repeat this procedure from step 5. If the variance is still at or not within **±2.2 kg (±4.9 lbs)**, replace the front passenger's weight sensors (if they were not replaced), then repeat this procedure from step 5.

36. Turn the vehicle to the OFF (LOCK) mode.