

July 17, 2024

Version 4

Safety Recall: 2020 TLX Seat Weight Sensor (DTC U3000-49)

Supersedes 24-017, dated March 26, 2024, to revise the information highlighted in **yellow**.

AFFECTED VEHICLES

Year	Model	Trim Level	VIN Range
2020	TLX	ALL	Check the iN VIN status for eligibility.

REVISION SUMMARY

Under WARRANTY CLAIM INFORMATION, a new table entry was added.

BACKGROUND

Affected vehicles may be equipped with seat weight sensors that are not built to proper specifications. Improperly built sensors could lead to cracking and/or a short circuit of the sensor, resulting in the illumination of the SRS warning light and the passenger airbag indicator remaining OFF. In certain collisions, these seat weight sensors may cause improper deployment of the front passenger airbags, increasing the risk of injury.

CLIENT NOTIFICATION

Owners of the affected vehicles will be sent a notification of this campaign.

Do an iN VIN status inquiry to make sure the vehicle is shown as eligible.

Some vehicles affected by this campaign may be in your new or used vehicle inventory.

Failure to repair a vehicle subject to a recall or campaign may subject your dealership to claims or lawsuits from the client or anyone else harmed as a result of such failure. To verify if a vehicle in inventory is affected, do a VIN status inquiry before selling it.

CORRECTIVE ACTION

- If the SRS warning light is not illuminated, refer to campaign notice 24-023.
- If the SRS warning light is illuminated, follow the inspection procedure outlined in this bulletin.

PARTS INFORMATION

Due to a limited supply of controlled parts, they require prior approval before shipping. This will be determined by the INSPECTION PROCEDURE, follow the steps provided by the QR code.

CLIENT INFORMATION: The information in this bulletin is intended for use only by skilled technicians who have the proper tools, equipment, and training to correctly and safely maintain your vehicle. These procedures should not be attempted by “do-it-yourselfers,” and you should not assume this bulletin applies to your vehicle, or that your vehicle has the condition described. To determine whether this information applies, contact an authorized Acura automobile dealer.

TOOL INFORMATION

Tool Name	Part Number	Quantity
Honda Torque Wrench Kit (Kit contains): 1 Torque Wrench Body 1 Metric Box End Head (12 mm) 1 Metric Box End Head (14 mm) 1 Metric Box End Head (16 mm)	AHMTLHONTWKIT	1

NOTE:

- These tools are currently only available through the loaner program with the Tool and Equipment Program.
- For tool loan requests, please call Customer Service at 1-888-424-6857 (1-888-4AHMTLS) Mon-Fri 7:30 am – 7:00 pm CST.
- Tools will be made available and auto-shipped to all dealers at a later date.

WARRANTY CLAIM INFORMATION

NOTE:

- An Inspection without replacement of the seat weight sensor does not complete the repair and does not close the campaign.
- If the INSPECTION PROCEDURE determines this Service Bulletin doesn't apply, use template D to submit a warranty claim for the inspection.

2.4 Base, Tech

Operation Number	Description	Flat Rate Time	Defect Code	Symptom Code	Template ID	Failed Part Number
7491E3	Replace power seat rail assembly (includes inspection and DTC check).	1.5 hr	6XW00	UHE00	B24017A	81205-TZ3-A12

2.4 A-Spec; 3.5 Base, Tech, A-Spec

7491E3	Replace power seat rail assembly (includes inspection and DTC check).	1.5 hr	6XW00	UHE00	B24017B	81205-TZ3-A22
--------	---	--------	-------	-------	---------	---------------

3.5 AWD Base, Tech, Advance

7491E3	Replace power seat rail assembly (includes inspection and DTC check)	1.5 hr	6XW00	UHE00	B24017C	81205-TZ7-A22
--------	--	--------	-------	-------	---------	---------------

Inspection Only

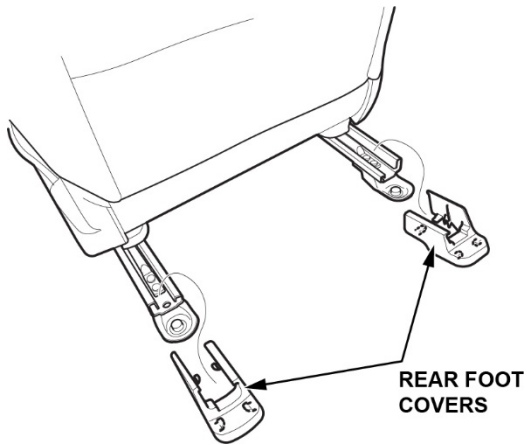
7495A1	For stored DTCs other than DTC U3000-49 and/or inspection determines this Service Bulletin does not apply.	0.3 hr	6XZ00	FIU00	B24017D	81136-T20-A61
--------	--	--------	-------	-------	---------	---------------

Skill Level: Repair Technician

INSPECTION PROCEDURE

1. Check if the SRS indicator is ON.
2. If the indicator is ON, do an All DTC check using the HDS.

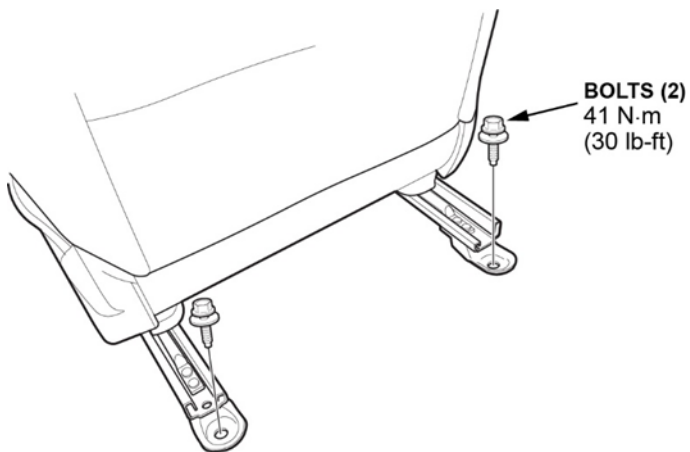
3. If DTC U3000-49 (*Internal Failure of the SRS Unit*) is present, continue to step 4.
If DTCs other than U3000-49 are found, this service bulletin does not apply. Continue with normal troubleshooting.
4. Raise the seat tilt to the highest position and slide the seat forward.
5. Remove the passenger's seat rear foot covers.



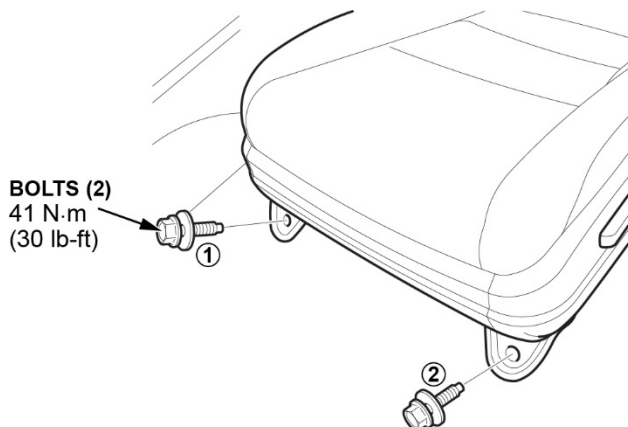
6. Slide the seat all the way forward and remove the rear bolts of the front passenger's seat.

NOTE:

- **With thigh support:** Slide the thigh support all the way forward.
- **With an 8-way power seat:** Raise the front seat all the way up.
- Remove the front seat rear mounting bolts.



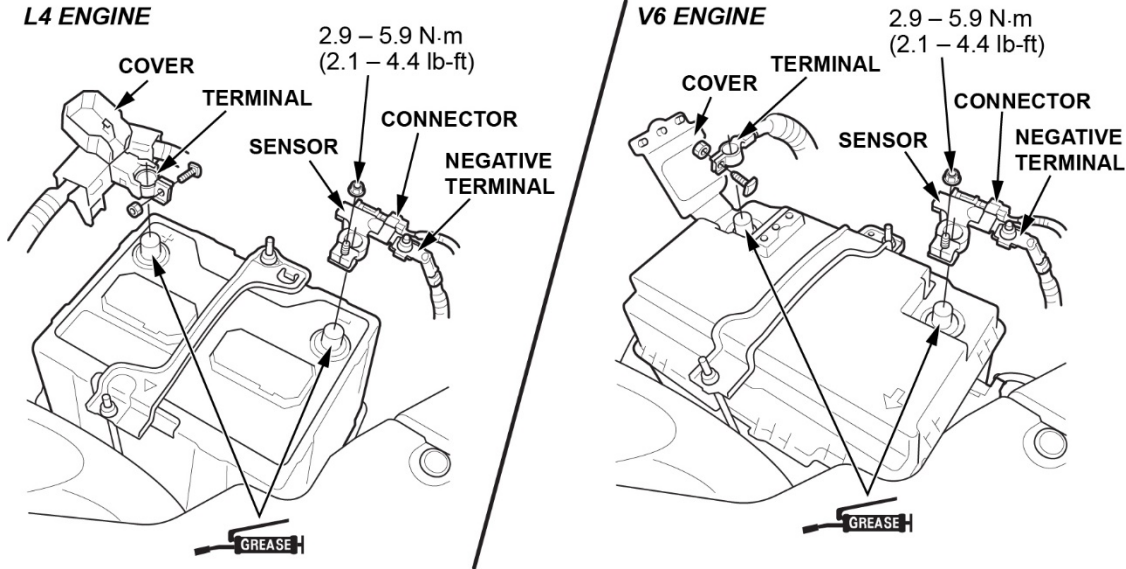
7. Slide the seat all the way back and remove the front passenger's seat mounting bolts.



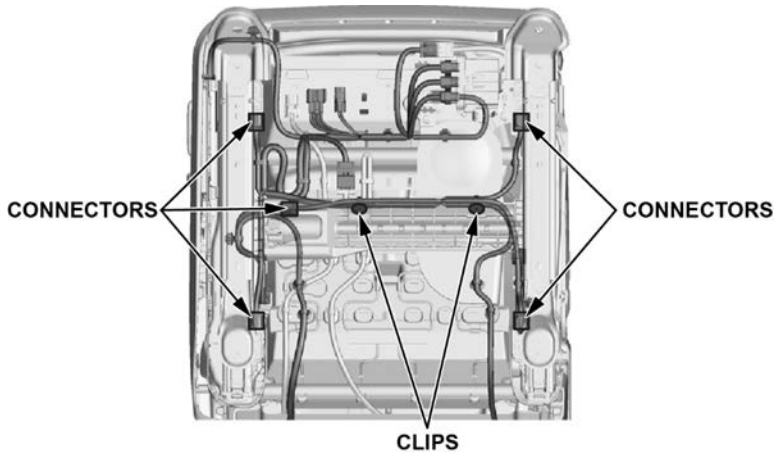
8. Disconnect and isolate the negative cable with the 12-volt battery sensor from the 12-volt battery **2.9—5.9 N·m (2.1—4.4 lb-ft)**.

NOTE:

- Always disconnect the negative side first.
- To protect the 12-volt battery sensor connector from damage, do not hold it when removing the negative terminal.
- Do not disconnect the 12-volt battery sensor from the negative terminal.
- Wait at least 3 minutes before starting work.



9. Tilt the seat back and disconnect the seat weight sensor connectors from the seat harness.



10. Connect the negative terminal of the 12-volt battery **2.9—5.9 N·m (2.1—4.4 lb-ft)**.
11. With the seat weight sensors disconnected, clear the DTC and do an **All DTC** check.

NOTE: Other new DTCs may be stored due to the seat weight sensors being unplugged. Disregard these new DTCs at this time.

12. If DTC U3000-49 (Internal Failure of the SRS Unit) does not return, scan the QR code with a capable device and complete the form.

NOTE:

- This form must be filled out before parts can be ordered.
- If you can't scan the QR code, ([Click HERE](#)).



13. If DTC U3000-49 does return, this service bulletin does not apply. Reconnect the SWS connectors and continue with normal troubleshooting.

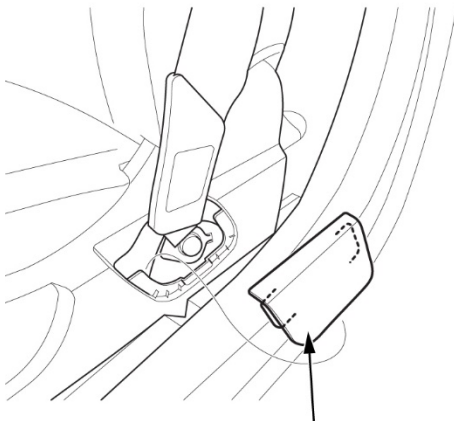
REPAIR PROCEDURE

1. Disconnect and isolate the negative cable with the 12-volt battery sensor from the 12-volt battery **2.9—5.9 N·m (2.1—4.4 lb-ft)**.

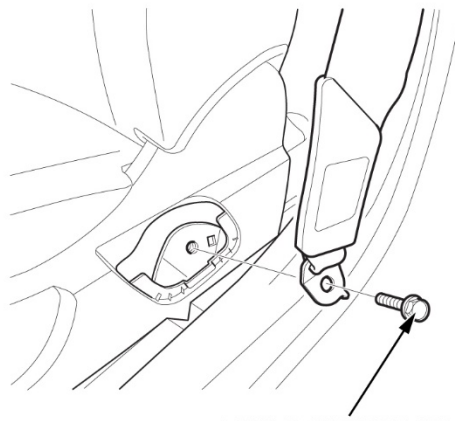
NOTE:

- Always disconnect the negative side first.
 - To protect the 12-volt battery sensor connector from damage, do not hold it when removing the negative terminal.
 - Do not disconnect the 12-volt battery sensor from the negative terminal.
 - Wait at least **3 minutes** before starting work.
2. Remove the front seat belt lower anchor cover and the lower anchor bolt.

LEFT SIDE SHOWN



LOWER ANCHOR COVER



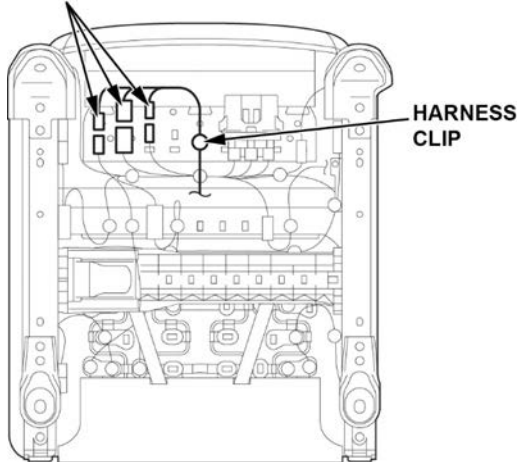
LOWER ANCHOR BOLT
39 N·m (29 lb-ft)

3. Make sure the ignition is in the OFF (LOCK) mode.

4. Lift up the front seat, then remove these items:

1. Remove the harness clip.

CONNECTORS



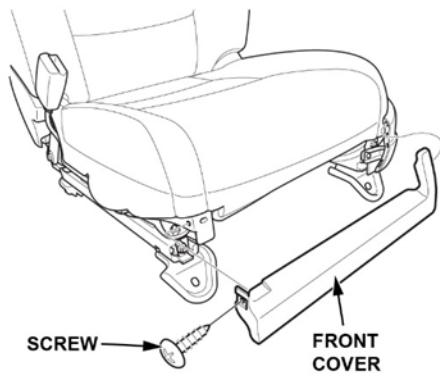
2. Disconnect the connector.

3. Remove the head restraint.

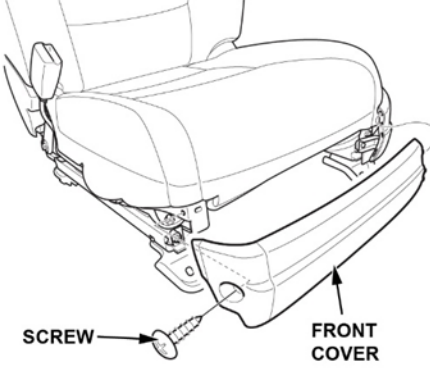
4. With the help of an assistant, carefully remove the front seat through the front door.

5. Remove the passenger's front seat front cover and front seat recline cover.

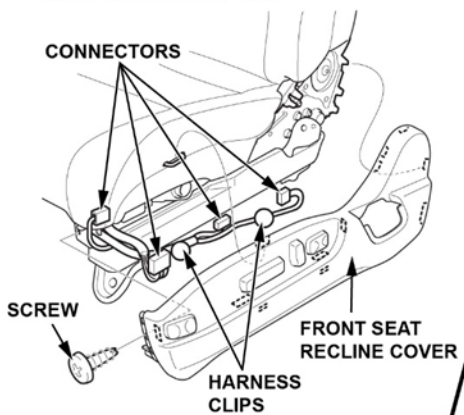
WITH THIGH SUPPORT



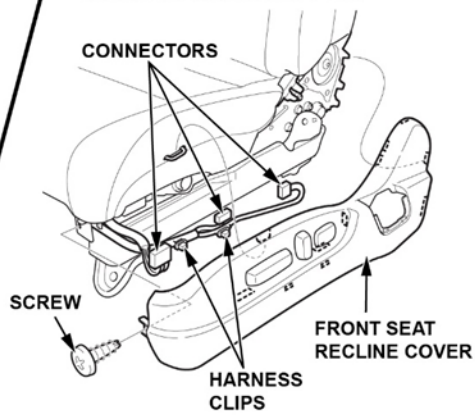
WITHOUT THIGH SUPPORT



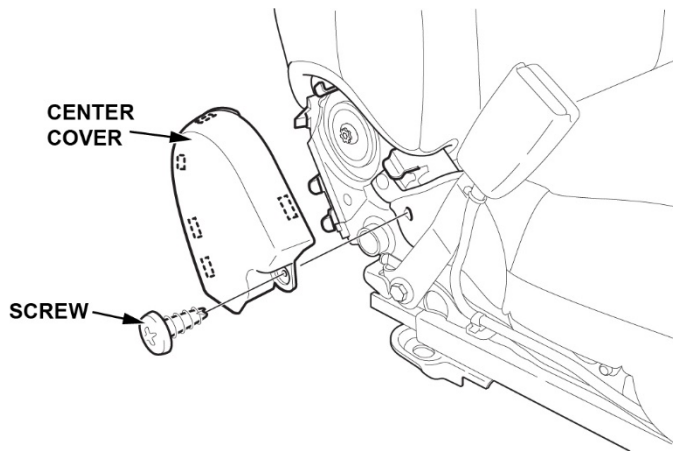
WITH THIGH SUPPORT



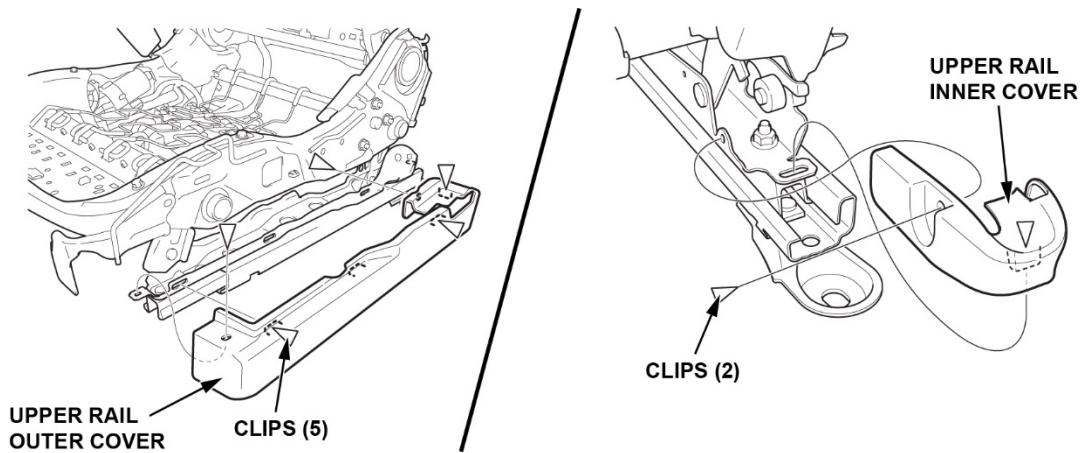
WITHOUT THIGH SUPPORT



6. Remove the front seat center cover.

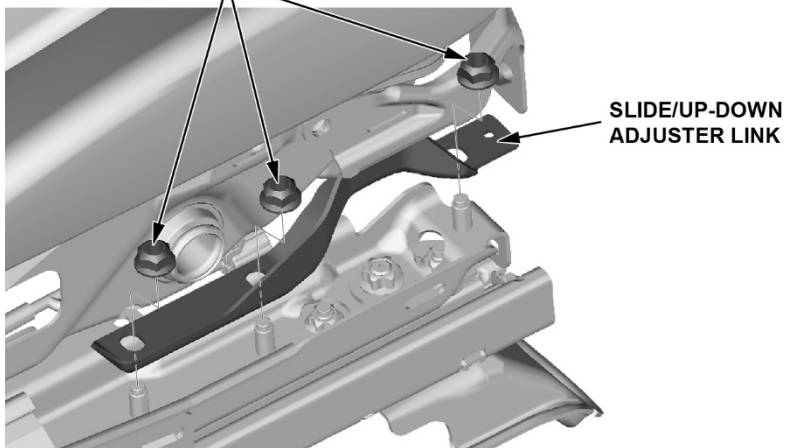


7. Remove the front seat frame upper inner and outer rail covers.



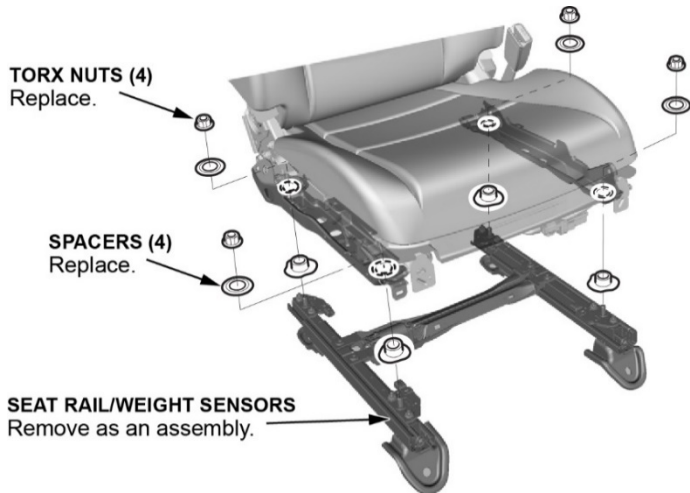
8. **8-Way Power Seat Only:** Remove the nuts, then remove the front passenger's seat side/up-down adjuster link.

NUTS
30 N·m (22 lb-ft)
Replace.



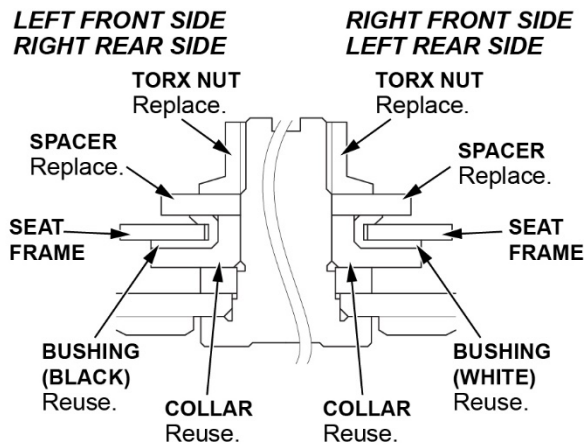
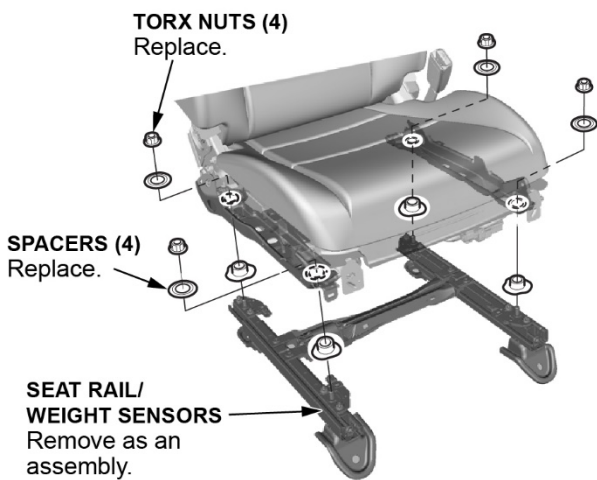
9. Remove the nuts, then remove the front passenger's seat rail as an assembly.

NOTE: The color and location of the collars and the bushings during disassembly.



10. Install the new front passenger's seat rail as an assembly to the seat frame, as shown, and loosely install the new nuts.

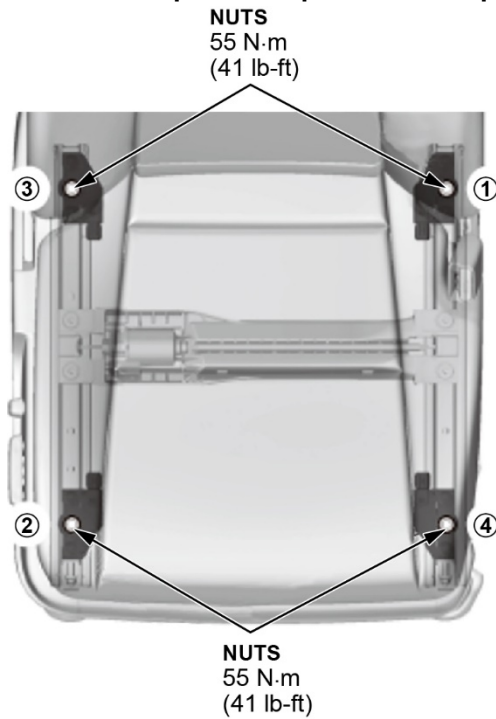
NOTE: The bushings and collars can be identified by their color. Make sure to reinstall the bushings and collars as shown.



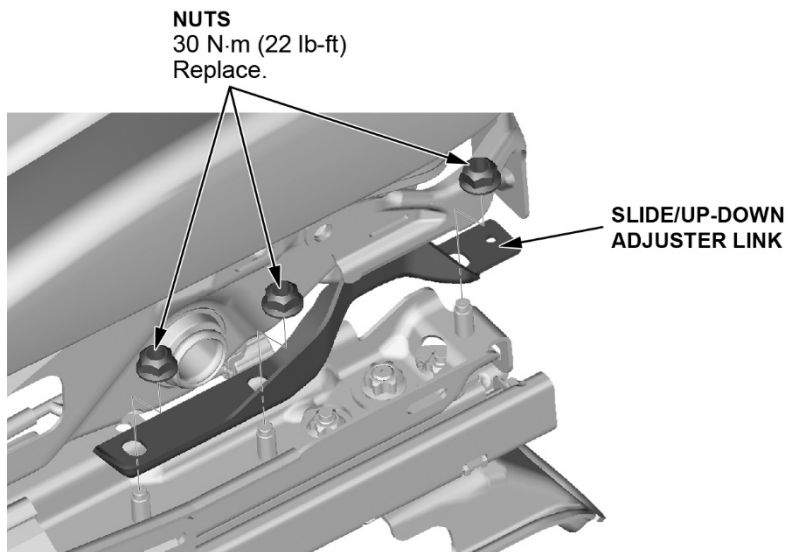
11. Torque the nuts to **55 N·m (41 lb-ft)**.

NOTE:

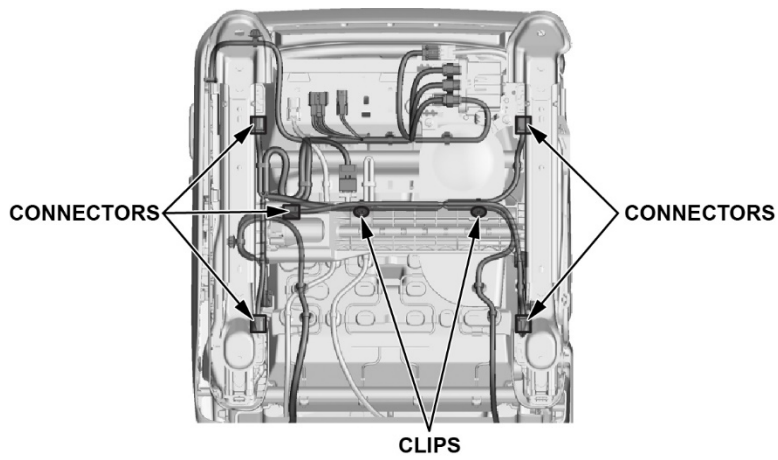
- Torque the nuts in the numbered sequence shown.
- **Use the special torque wrench to properly tighten the seat rail nuts (Tool Kit AHMTLHONTWKIT).**



12. **8-Way Power Seat Only:** Install the nuts and torque them to **30 N·m (22 lb-ft)**.



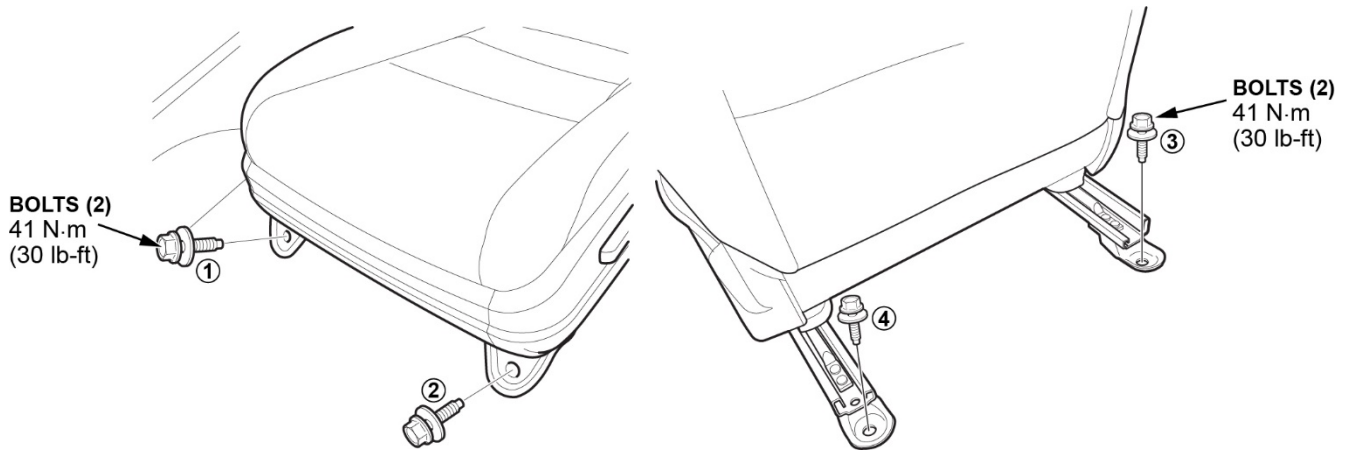
13. Connect the connectors.



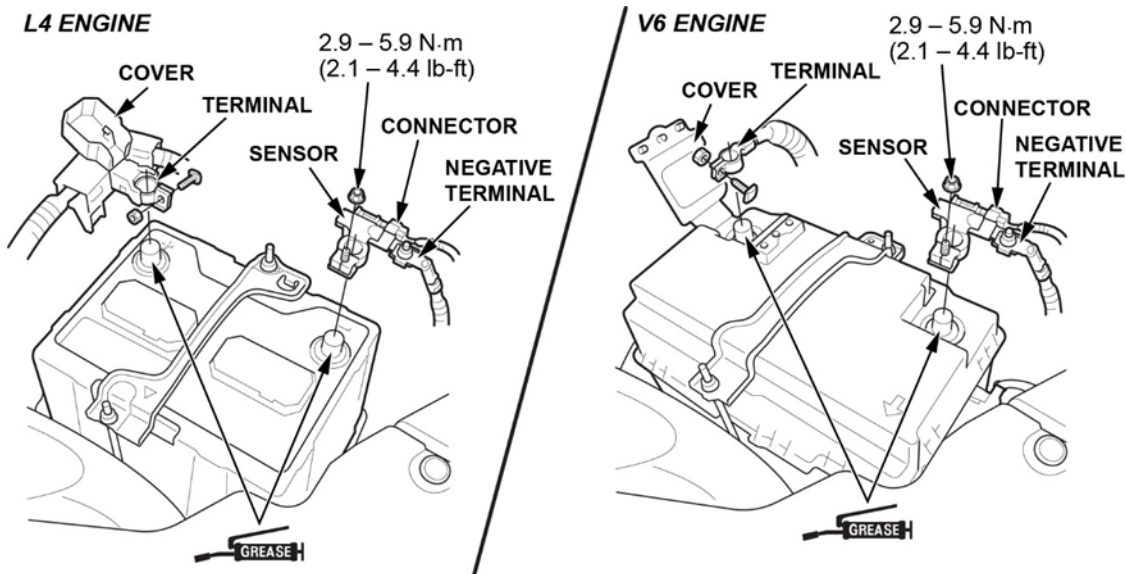
14. **8-Way Power Seat Only:** Install the clips.

15. Install all remaining parts in the reverse order of removal.

NOTE: When installing the seat, tighten the bolts by hand first, then tighten them to the specified torque in the sequence shown.



16. Connect the negative cable and the 12-volt battery sensor to the 12-volt battery.



NOTE: To protect the 12-volt battery sensor connector from damage, do not hold it when installing the negative terminal.

17. Do the Front Passenger's Seat Weight Sensor Initialization:

NOTE:

- Before doing this procedure, clear the DTCs.
- When you replace or remove the front passenger's weight sensor, the front passenger's seat frame, or the front passenger's seat rail, initialize the front passenger's weight sensor with the i-HDS.

1. Turn the vehicle to the OFF (LOCK) mode.
2. Connect the DST-i to the data link connector (DLC) (A) located under the driver's side of the dashboard.
3. Turn the vehicle to the ON mode, but do not start the engine.
4. Make sure the i-HDS communicates with the vehicle. If it does not communicate, go to the DLC circuit troubleshooting.

NOTE:

- Before doing this procedure, make sure the Battery is fully charged.
 - Make sure the front passenger's seat and all components of the seat are correctly installed.
 - Make sure nothing is on the front passenger's seat, including aftermarket seat covers or mats.
 - Make sure there is nothing in the front passenger's seat-back pocket.
 - Make sure the vehicle is on level ground.
 - When you perform this procedure, the vehicle temperature must be between **61 - 93 °F (16 - 34°C)**.
 - When the vehicle is exposed to intense cold or intense heat, move the vehicle indoors, open the windows and moonroof (if equipped), and perform this procedure after one hour or more.
 - Do not expose the front passenger's seat to sudden temperature changes.
 - Do not use the A/C and the heater.
 - Do not touch the front passenger's seat and keep the vehicle stationary during this procedure.
 - Do not attach the seat belt tongue into the buckle.
 - If possible, do all of the above procedures indoors.
5. Position the front passenger's seat all the way rearward and lowermost (if equipped with the height adjuster), then adjust the seat back to the forwardmost position.

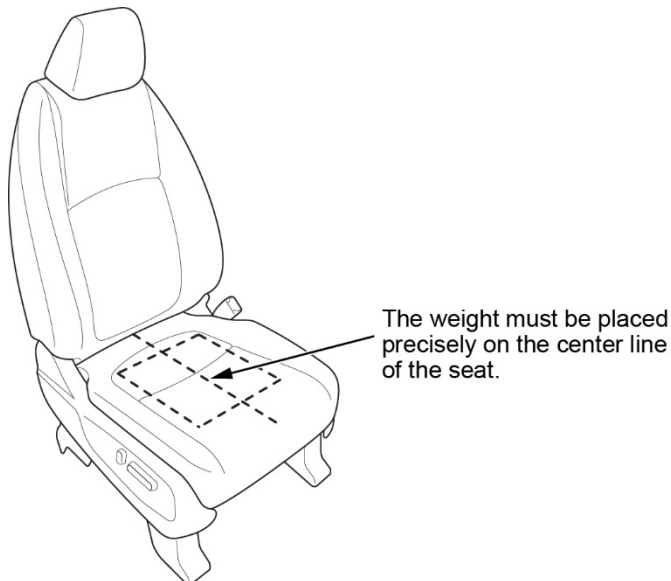
NOTE: Do not move the seat from this position until the initialization is completed.

6. From SRS of the System Selection Menu, select **SRS**, then Adjustment. In the Adjustment, select SWS Initialization. Follow the prompts until the front passenger's weight sensor initialization has been completed.

7. From SRS of the System Selection Menu, select **SRS**, then Data List. In the Data List, select **FRONT PASSENGER'S WEIGHT**. The weight (T0) of the front passenger's seat is displayed by the HDS. Write this measurement down as "T0" on a piece of paper.
 - If the reading on the i-HDS (T0) is within **± 1.1 lbs (± 0.5 kg)**, go to step 4.
 - If the reading on the i-HDS (T0) is at or not within **± 1.1 lbs (± 0.5 kg)**, do the following and repeat the procedure from step 1.
 - Confirm that the seat has no interference with surrounding components.
 - Remove the front passenger's weight sensors (If they were not reinstalled), reinstall them, then repeat this procedure from step 1.
 - If after reinstalling the front passenger's weight sensors, the HDS (T0) is still at or not within **± 1.1 lbs (± 0.5 kg)**, replace the front passenger's weight sensors, then repeat this procedure from the beginning.
8. Prepare a weight between **22 lbs (10 kg) — 44 lbs (20 kg)** then measure and note its actual weight (M) with a weight scale.

NOTE:

- The accuracy of the weight scale must be within **2 lbs (1 kg)**.
 - The weight must be uniform in shape and size to allow precise placement on the seat.
9. Precisely place the prepared weight on the center of the front passenger's seat as shown.



10. From the Data List, select **FRONT PASSENGER'S WEIGHT**. The weight (T) of the front passenger's seat is displayed by the i-HDS. Write this measurement down as "T" on a piece of paper.

11. Calculate the variance between the weight measured by the weight scale (M) and the i-HDS (T) with the formula.

$$\text{Variance} = (T) - (M)$$

T: Weight measured by the i-HDS with the weight on the seat.

M: Weight measured by the weight scale.

- If the variance is within **±7.3 lbs (±3.3 kg)**, initialization is complete. Go to the next step.
- If the variance is at or not within **±7.3 lbs (±3.3 kg)**, do the following and repeat the procedure from step 5.
 - Confirm that the seat has no interference with surrounding components.
 - Confirm that the weight was placed precisely in the center of the seat.
 - Remove the front passenger's weight sensors, reinstall them, then repeat this procedure from step 5. If the variance is still at or not within **±7.3 lbs (±3.3 kg)**, replace the front passenger's weight sensors (if they were not replaced), then repeat this procedure from step 5.

18. Turn the vehicle to the OFF (LOCK) mode.