

October 7, 2024

Version 4

Safety Recall: 2020–21 Civic Seat Weight Sensor (DTC U3000-49)

Supersedes 24-017, dated August 9, 2024, to revise the information.

APPLIES TO

Year	Model	Trim Level	VIN Range
2020	Civic 2 Door	ALL	Check the iN-VIN status for eligibility.
2021	Civic Hatchback	ALL	Check the iN-VIN status for eligibility.
2020	Civic 2 Door Si	ALL	Check the iN-VIN status for eligibility.
2020	Civic 4 Door Si	ALL	Check the iN-VIN status for eligibility.
2020–21	Civic 4-Door	ALL	Check the iN-VIN status for eligibility.

REVISION SUMMARY

This bulletin has been extensively revised. American Honda recommends reviewing this bulletin in its entirety.

BACKGROUND

Affected vehicles may be equipped with seat weight sensors that are not built to proper specifications. Improperly built sensors could lead to cracking and/or a short circuit of the sensor, resulting in the illumination of the SRS warning light and the passenger airbag indicator remaining OFF. In certain collisions, these seat weight sensors may cause improper deployment of the front passenger airbags, increasing the risk of injury.

CUSTOMER NOTIFICATION

Owners of affected vehicles will be sent a notification of this safety recall.

Do an iN VIN status inquiry to verify eligibility.

Some vehicles affected by this campaign may be in your new or used vehicle inventory.

Failure to repair a vehicle subject to a recall or campaign may subject your dealership to claims or lawsuits from the customer or anyone else harmed as a result of such failure. To see if a vehicle in inventory is affected by this safety recall, do a VIN status inquiry before selling it.

CORRECTIVE ACTION

Replace the seat weight sensors.

CUSTOMER INFORMATION: The information in this bulletin is intended for use only by skilled technicians who have the proper tools, equipment, and training to correctly and safely maintain your vehicle. These procedures should not be attempted by “do-it-yourselfers,” and you should not assume this bulletin applies to your vehicle, or that your vehicle has the condition described. To determine whether this information applies, contact an authorized Honda automobile dealer.

WARRANTY CLAIM INFORMATION

For repairs on or after October 7, 2024, you must use the warranty claim information with template IDs ending in H and J.

For inspection or repairs before October 7, 2024, go to page 3.

Operation Number	Description	Flat Rate Time	Defect Code	Symptom Code	Template ID	Failed Part Number
7491E4	Replace seat weight sensors – power seat (includes inspect, seat calibration and DTC check)	0.8 hr	6XW00	ZHF00	A24017H	81201-TBA-A61
7491E5	Replace seat weight sensors – manual seat (includes seat calibration and DTC check)	0.7 hr	6XW00	ZHF00	A24017J	81126-TLA-C01

For 2-Door models:

- Clicking this link will take you to [Service Bulletin 24-017 Version 3](#).
- Use the information listed in WARRANTY CLAIM INFORMATION of 24-017 Version 3.

Seat Weight Sensor Kit Serial Number

Enter the Seat Weight Sensor Kit serial number from the Seat Weight Sensor Kit label into the Replacement Serial Number field of the Parts Information section of the warranty claim.

NOTE:

- The Seat Weight Sensor Kit label should be affixed to the repair order by the technician.
- The claim may reject if a valid serial number is not included.

Parts Information						
Failed Part No. •		<input type="text"/>	Failed Part Description •		<input type="text"/>	
Replacement Serial No.		<input type="text"/>				
Item	Replacement Part No. •	Quantity •	Unit Price	Unit Total	Description	
1	<input type="text"/>	<input type="text"/>	<input type="text"/>	<input type="text"/>	<input type="text"/>	Delete
2	<input type="text"/>	<input type="text"/>	<input type="text"/>	<input type="text"/>	<input type="text"/>	Delete
3	<input type="text"/>	<input type="text"/>	<input type="text"/>	<input type="text"/>	<input type="text"/>	Delete
4	<input type="text"/>	<input type="text"/>	<input type="text"/>	<input type="text"/>	<input type="text"/>	Delete
5	<input type="text"/>	<input type="text"/>	<input type="text"/>	<input type="text"/>	<input type="text"/>	Delete
<input type="button" value="More >"/>						
Materials Information						

For repairs **before October 7, 2024**, you must use the warranty claim information with template IDs A, B, C, D, E, F, and G.

NOTE: If the INSPECTION PROCEDURE determined this Service Bulletin doesn't apply, use template G to submit a warranty claim for the inspection.

Operation Number	Description	Flat Rate Time	Defect Code	Symptom Code	Template ID	Failed Part Number
7491E3	Civic 4dr/5dr- Replace power seat slide (includes inspect and DTC check)	1.8 hr	6XW00	ZHF00	A24017 A	81201-TBA-A61
8521K5	Civic 4dr- Replace manual seat frame (includes inspect and DTC clear)	1.7 hr	6XW00	ZHF00	A24017 B	81126-TLA-C01
8521K5	Civic 2dr- Replace manual seat frame (includes inspect and DTC clear)	1.7 hr	6XW00	ZHF00	A24017 C	81126-TBG-A01
8521K5	Civic 5dr - Replace manual seat frame (includes inspect and DTC clear)	1.7 hr	6XW00	ZHF00	A24017 D	81126-TNC-A12
8521K5	Civic 4dr Si- Replace manual seat frame (includes inspect and DTC clear)	1.7 hr	6XW00	ZHF00	A24017 E	81126-TBF-A01
8521K5	Civic 2dr Si - Replace manual seat lear) frame (includes inspect and DTC clear)	1.7 hr	6XW00	ZHF00	A24017 F	81126-TBJ-A01
7495A1	For stored DTCs other than DTC U3000-49 and/or inspection determines this Service Bulletin does not apply.	0.3 hr	6XZ00	KIT00	A24017 G	81136-T20-A61

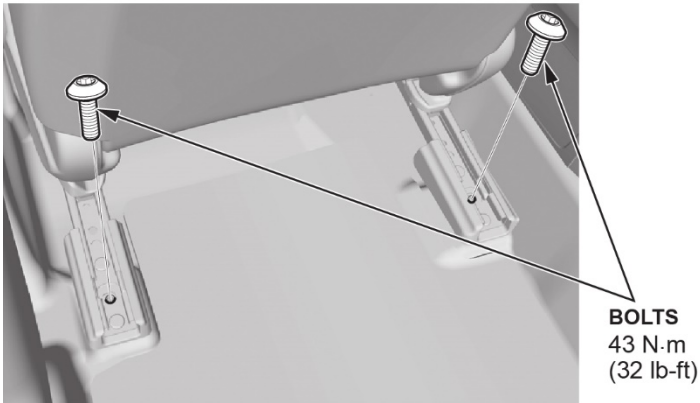
Skill Level: Repair Technician

PARTS INFORMATION

Seat Weight Sensor Kit, P/N 04945-TBA-A00 has been allocated to dealers in limited quantities. Honda will continue to allocate kits on a weekly basis. Refer to the Parts Information Bulletin 24-0020, *Multi-Model Seat Weight Sensor Safety Recall Parts Availability*, for details regarding parts availability and ordering.

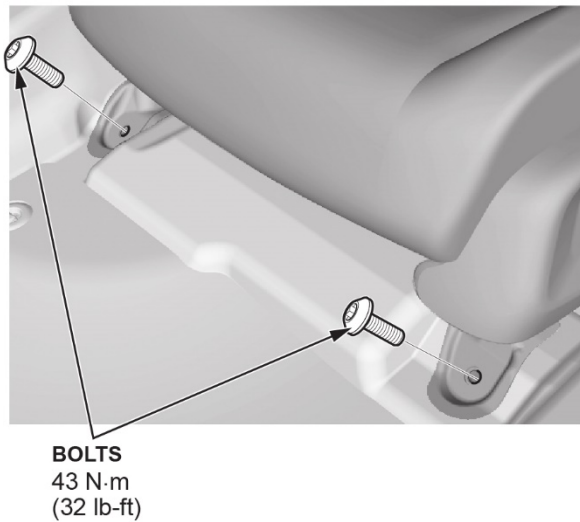
- Slide the passenger's seat all the way forward and remove the rear seat rail fasteners.

REAR SIDE

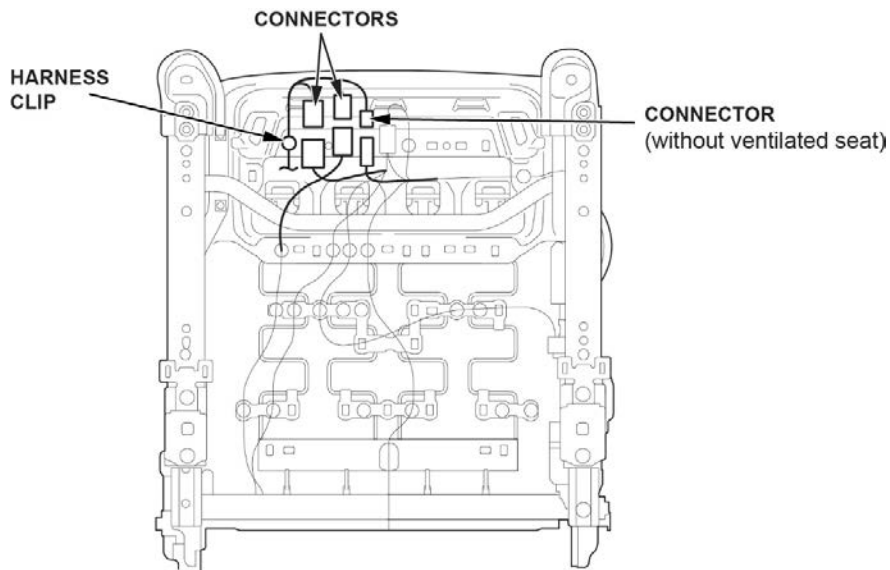


- Slide the passenger's seat all the way rearward and remove the front rail fasteners.

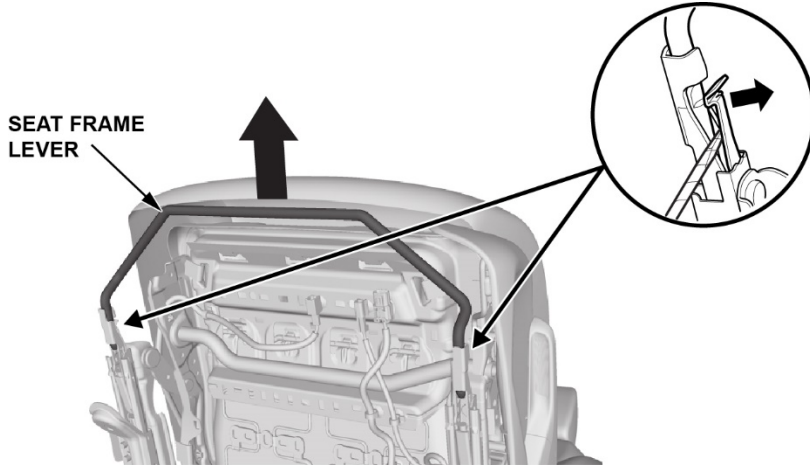
FRONT SIDE



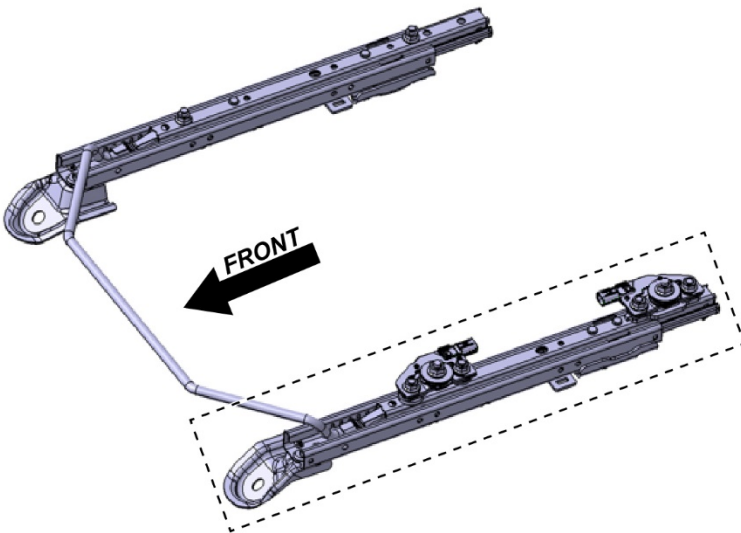
- Disconnect the negative cable to the 12-volt battery.
 - 12 Volt Battery Terminal Disconnection and Reconnection, [\(Click Here\)](#)
- Lift the front seat, then disconnect the connectors and detach the harness clip.
NOTE: Take a picture of the harness routing prior to removal for future reference.



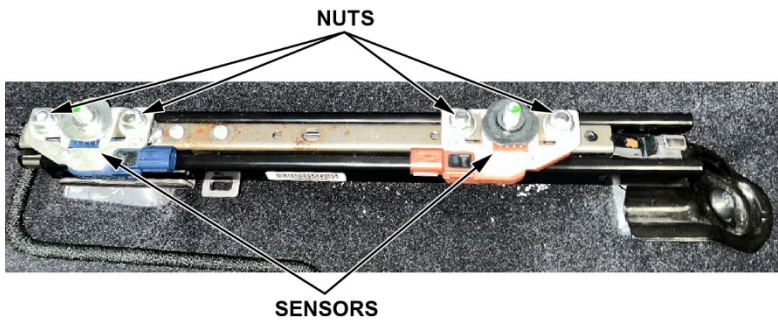
6. With the help of an assistant, carefully remove the front seat through the front door opening. Then, place the seat on a suitable work area.
7. Remove the seat frame lever.



8. Remove the inner seat rail (with sensors) from the seat.



9. Mount the inner seat rail into the vehicle and remove the 2 seat weight sensors, then discard the nuts and sensors.



10. Install the new sensors and nuts in the orientation shown.

**SENSOR POSITION 1
LEFT FRONT**

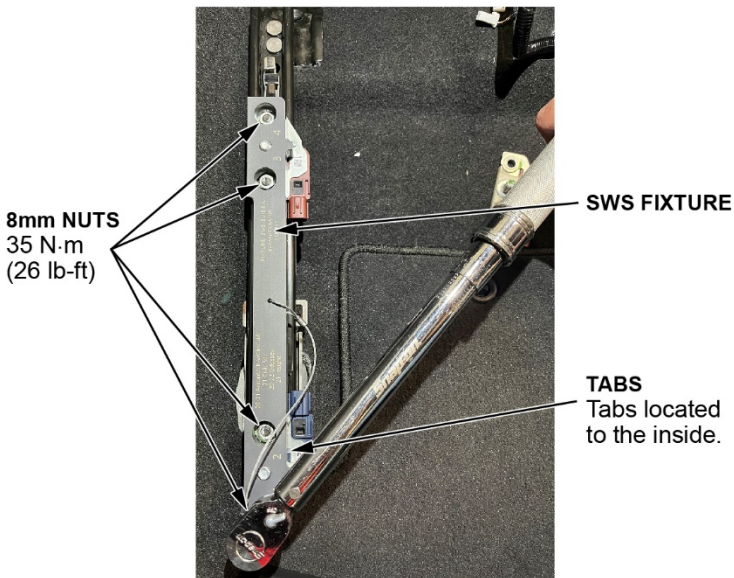
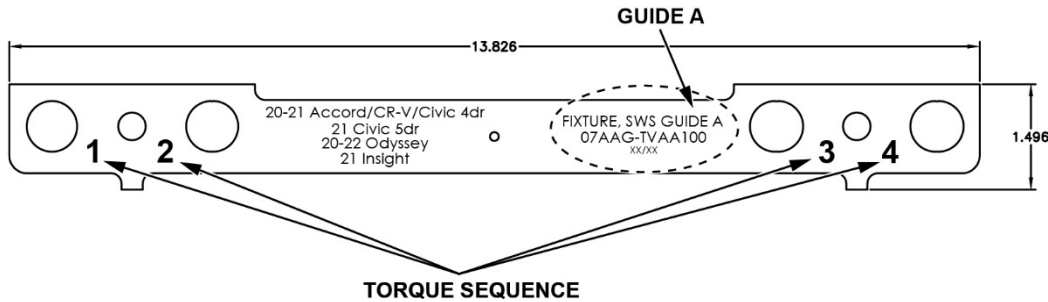


**SENSOR POSITION 2
LEFT REAR**



11. Place the **SWS Fixture Guide A** onto the new seat weight sensors with the tabs located to the inside of the seat track. With the guide properly seated on the new sensors, **torque the nuts to 35 N·m (26 lb-ft) in the order shown on the SWS fixture guide.**

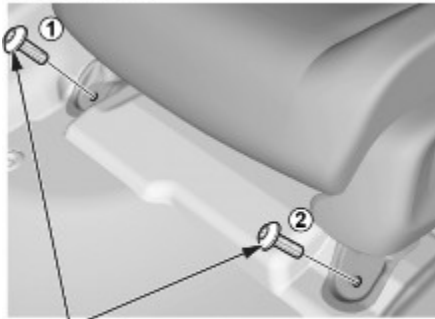
NOTE: Use the socket provided with the guide.



12. Remove the seat rail from the vehicle, then reinstall the seat rail to the seat frame. Use new washers and nuts and torque to **55 N·m (41 lb-ft)**.

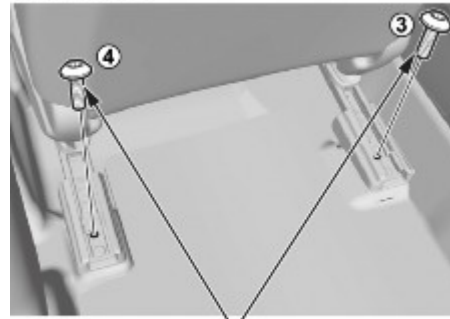
13. Install the seat and reconnect all connectors. Hand tighten the bolts first, then torque them in the sequence shown **43 N·m (32 lb-ft)**.

FRONT SIDE



BOLTS
43 N·m
(32 lb-ft)

REAR SIDE



BOLTS
43 N·m
(32 lb-ft)

14. Connect the negative terminal to the 12-volt battery.
 - 12 Volt Battery Terminal Disconnection and Reconnection, ([Click Here](#))
15. Do the Front Passenger's Weight Sensor Initialization ([Click Here](#))
16. Do the Front Passenger's Weight Sensor Operation Check ([Click Here](#))
17. Confirm SRS operation
 - Turn the vehicle to the ON mode and check that the SRS indicator comes on for about **6 seconds**, and then goes off.
18. Do the Steering Angle Neutral Position Learning procedure ([Click Here](#))

4-Door & 5-Door Power Seat

1. Remove the label from the new seat weight sensor box and affix it to the repair order.



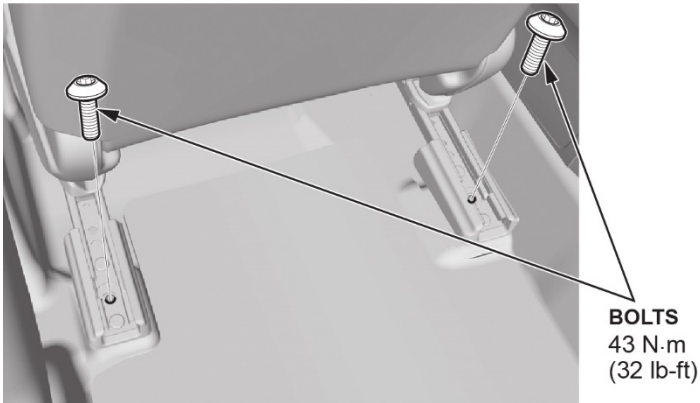
Repair Order



CUSTOMER NAME / VIN	ADDRESS	TEL NO.	WORKING DATE	WORKER NO.
JOHN SMITH - F1234	123 MAIN ST	555-123-4567	12/12	87654321
MODEL	YEAR	MAKE	TYPE	COLOR
2018	2018	HONDA	CR	RED
DEPARTMENT	SALES	REPAIR	INSPECTION	ESTIMATE
REPAIR DESCRIPTION	DATE	TIME	PRICE	WARRANTY
REPAIR ORDER NO.	DATE	TIME	PRICE	WARRANTY
DESCRIPTION OF SERVICE AND PARTS	DATE	TIME	PRICE	WARRANTY
<p>*****</p> <p>TERMS OF SERVICE: THE CUSTOMER AGREES TO HOLD THE DEALER HARMLESS FROM ALL LIABILITY FOR THE SALE OF THE VEHICLE AND ALL PARTS AND ACCESSORIES. THE DEALER IS NOT RESPONSIBLE FOR THE CONDITION OF THE VEHICLE OR PARTS AND ACCESSORIES AT THE TIME OF SALE. THE CUSTOMER IS RESPONSIBLE FOR THE CONDITION OF THE VEHICLE AND PARTS AND ACCESSORIES AT THE TIME OF SALE. THE CUSTOMER IS RESPONSIBLE FOR THE CONDITION OF THE VEHICLE AND PARTS AND ACCESSORIES AT THE TIME OF SALE.</p>		<p>NAME</p> <p>ADDRESS</p> <p>CITY</p> <p>STATE</p> <p>ZIP</p> <p>PHONE</p> <p>FAX</p> <p>EMAIL</p> <p>WEBSITE</p>		
<p>DEALER'S USE ONLY</p> <p>DATE OF SALE</p> <p>TIME OF SALE</p> <p>PRICE</p> <p>WARRANTY</p>		<p>REPAIR PARTS</p> <p>SALES TAX ON THIS</p> <p>SPECIAL ORDER CHARGE</p> <p>DISCOUNTS</p> <p>TOTAL DUE</p>		
<p>NOT REPAIR OR ELECTRICAL OR SPECIALIZED SPECIALIZED</p> <p>X <i>John Smith</i></p>				

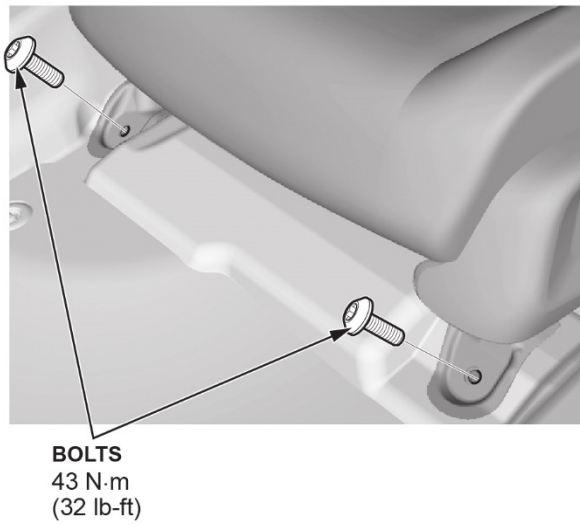
- Slide the passenger's seat all the way forward and remove the rear seat rail fasteners.

REAR SIDE



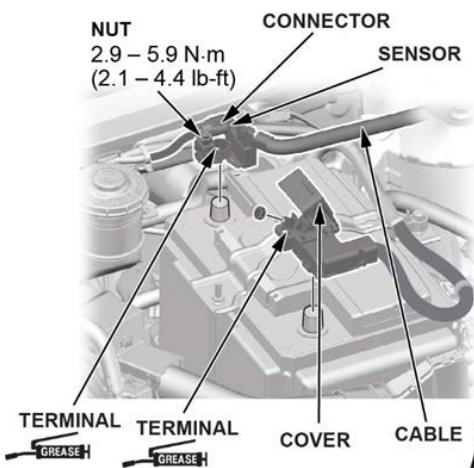
- Slide the passenger's seat all the way rearward and remove the front rail fasteners.

FRONT SIDE

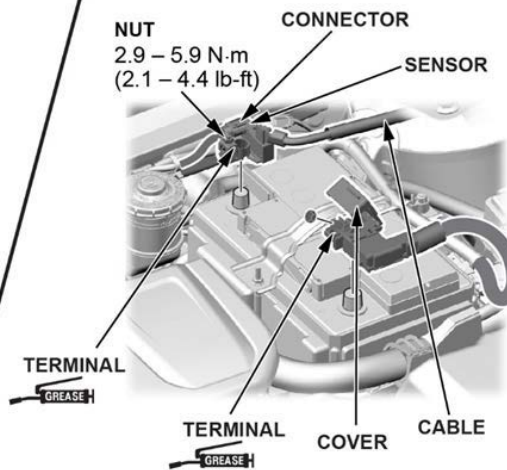


- Disconnect the negative cable to the 12-volt battery.

1.5L ENGINE

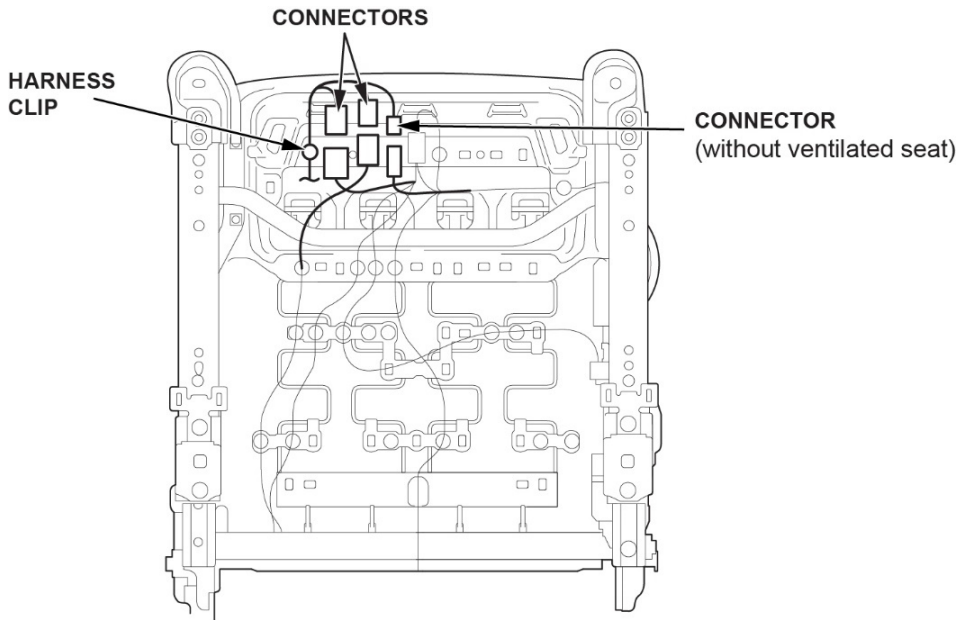


2.0L ENGINE



- Lift the seat and remove the harness clip, then disconnect the connectors.

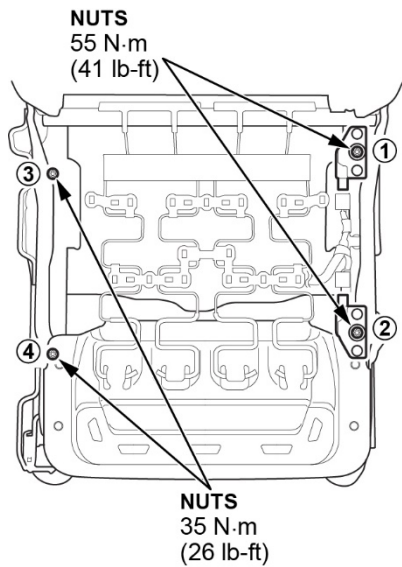
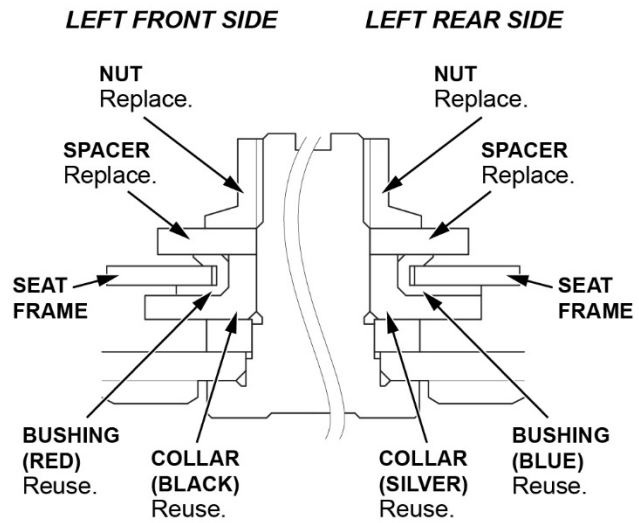
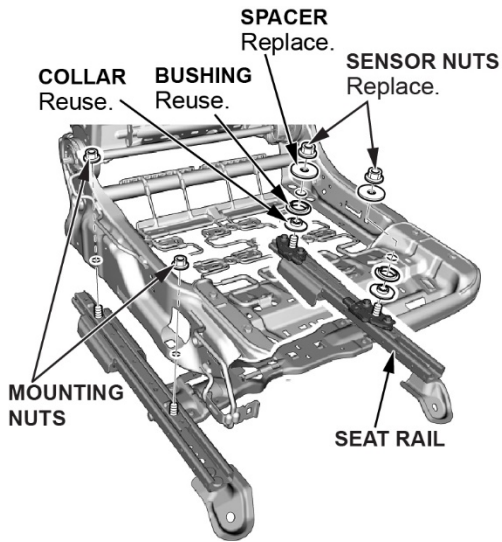
NOTE: Take a picture of the harness routing prior to removal for future reference.



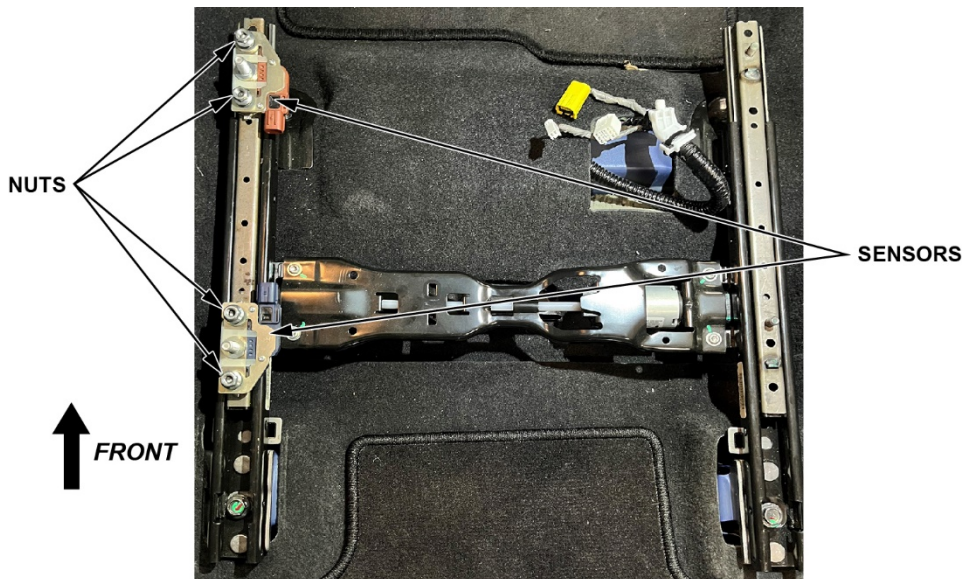
- With the help of an assistant, carefully remove the passenger's front seat through the front door opening and place the seat on a suitable area to work.
- Disconnect the connector to the power motor.

8. Remove the seat rails from the seat.

NOTE: Take a picture of all four seat frame nuts, bushings, and collars for reference.

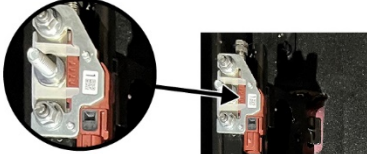


9. Mount the seat rail into the vehicle and remove the 2 seat weight sensors, then discard the nuts and sensors.

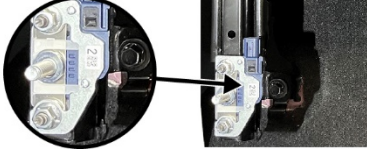


10. Install the new sensors and nuts in the orientation shown.

**SENSOR POSITION 1
LEFT FRONT**

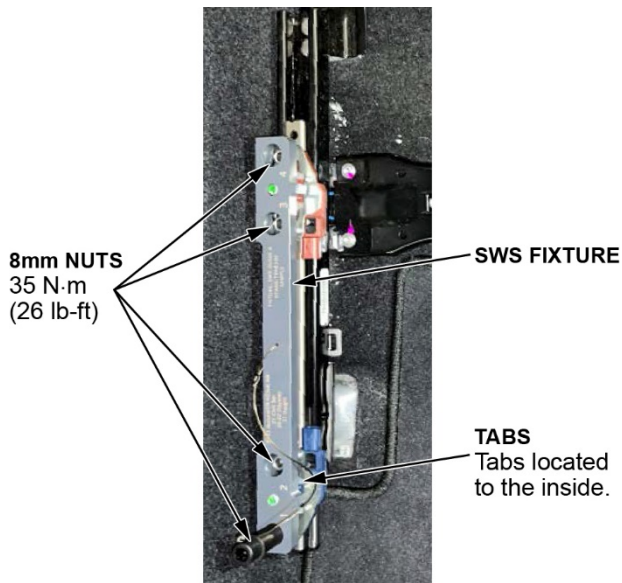
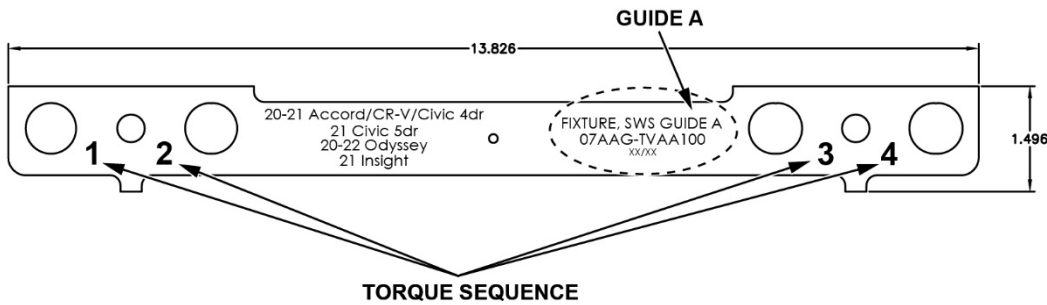


**SENSOR POSITION 2
LEFT REAR**

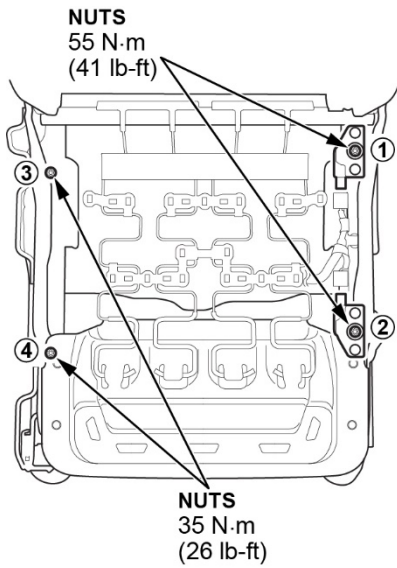


11. Place the **SWS Fixture Guide A** onto the new seat weight sensors with the tabs located to the inside of the seat track. With the guide properly seated on the new sensors, **torque the nuts to 35 N·m (26 lb-ft) in the order shown on the SWS fixture guide.**

NOTE: Use the socket provided with the guide.

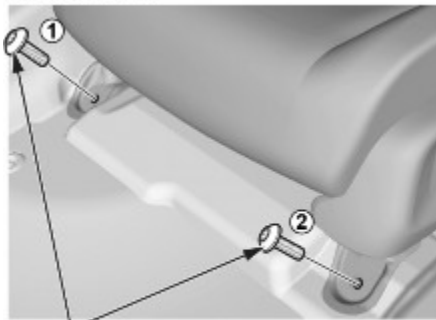


12. Remove the seat rail from the vehicle and reinstall the seat rail to the seat frame. Use new washers and nuts and torque the left side seat frame nuts to **55 N·m (40 lb-ft)**. The right-side nuts should be torqued to **35 N·m (26 lb-ft)**.



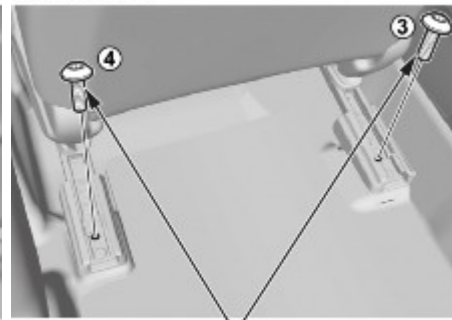
13. Install the passenger's seat into the car and tighten the bolts by hand, then torque them to **43 N·m (32 lb-ft)** in the sequence shown.

FRONT SIDE



BOLTS
43 N·m
(32 lb-ft)

REAR SIDE



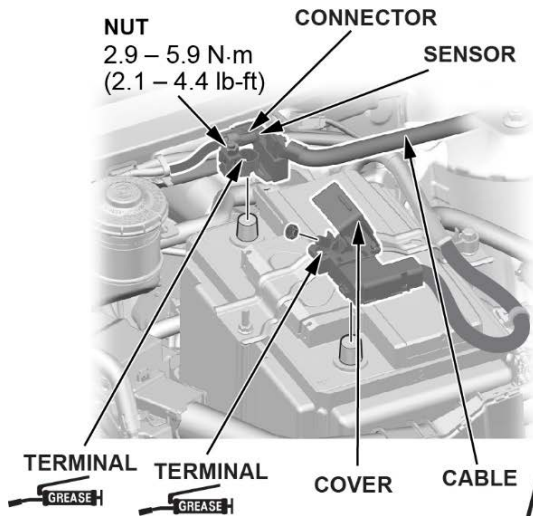
BOLTS
43 N·m
(32 lb-ft)

14. Connect the negative terminal to the 12-volt battery.

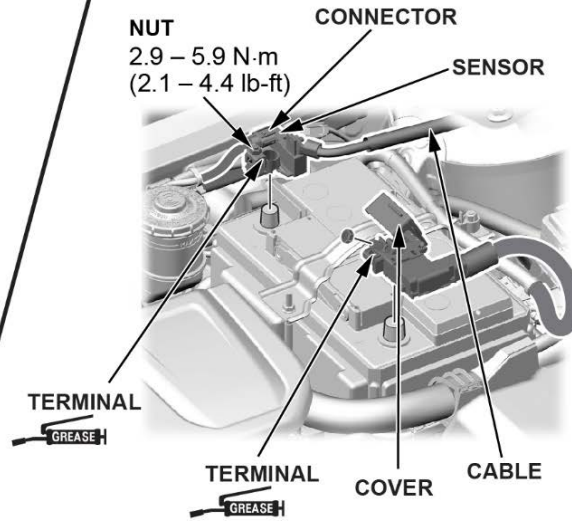
NOTE:

- Always connect the positive side first.
- To protect the connector from damage, do not hold it when installing the terminal.

1.5L ENGINE



2.0L ENGINE



15. Do the *Front Passenger's Weight Sensor Initialization* ([Click Here](#))

16. Do the *Front Passenger's Weight Sensor Operation Check* ([Click Here](#))

17. Confirm SRS operation

- Turn the vehicle to the ON mode and check that the SRS indicator comes on for about **6 seconds**, and then goes off.

18. Do the *Steering Angle Neutral Position Learning* procedure ([Click Here](#))