

October 7, 2024

Version 3

Safety Recall: 2020–22 Accord, 2020–21 Accord Hybrid Seat Weight Sensor (DTC U3000-49)**Supersedes 24-016, dated July 17, 2024, to revise the information.****REVISION SUMMARY**

This bulletin has been revised extensively. American Honda recommends reviewing this bulletin in its entirety.

APPLIES TO

Year	Model	Trim Level	VIN Range
2020–22	Accord	ALL	Check the iN VIN status for eligibility.
2020–21	Accord Hybrid	ALL	Check the iN VIN status for eligibility.

BACKGROUND

Affected vehicles may be equipped with seat weight sensors that are not built to proper specifications. Improperly built sensors could lead to cracking and/or a short circuit of the sensor, resulting in the illumination of the SRS warning light and the passenger airbag indicator remaining OFF. In certain collisions, these seat weight sensors may cause improper deployment of the front passenger airbags, increasing the risk of injury.

CUSTOMER NOTIFICATION

Owners of affected vehicles will be sent a notification of this safety recall.

Do an iN VIN status inquiry to verify eligibility.

Some vehicles affected by this campaign may be in your new or used vehicle inventory.

Failure to repair a vehicle subject to a recall or campaign may subject your dealership to claims or lawsuits from the customer or anyone else harmed as a result of such failure. To see if a vehicle in inventory is affected by this safety recall, do a VIN status inquiry before selling it.

CORRECTIVE ACTION

Replace the seat weight sensors.

CUSTOMER INFORMATION: The information in this bulletin is intended for use only by skilled technicians who have the proper tools, equipment, and training to correctly and safely maintain your vehicle. These procedures should not be attempted by “do-it-yourselfers,” and you should not assume this bulletin applies to your vehicle, or that your vehicle has the condition described. To determine whether this information applies, contact an authorized Honda automobile dealer.

WARRANTY CLAIM INFORMATION

For repairs on or after October 7, 2024, you must use the warranty claim information with template IDs ending in D and E.

For inspection or repairs before October 7, 2024, go to page 3.

Operation Number	Description	Flat Rate Time	Defect Code	Symptom Code		Template ID	Failed Part Number
7491E4	Replace seat weight sensors- power seat (includes seat calibration & DTC clear)	0.8 hr	6XW00	RHL00		A24016D	81201-TBA-A61
7491E5	Replace seat weight sensors- manual seat (includes seat calibration & DTC clear)	0.7 hr	6XW00	RHL00		A24016E	81126-TLA-C01

Skill Level: Repair Technician

Seat Weight Sensor Kit Serial Number

Enter the Seat Weight Sensor Kit serial number from the Seat Weight Sensor Kit label into the Replacement Serial Number field of the Parts Information section of the warranty claim.

NOTE:

- The Seat Weight Sensor Kit label should be affixed to the repair order by the technician.
- The claim may reject if a valid serial number is not included.

Parts Information						
Failed Part No. *		Failed Part Description *				
Replacement Serial No.						
Item	Replacement Part No. *	Quantity *	Unit Price	Unit Total	Description	
1						Delete
2						Delete
3						Delete
4						Delete
5						Delete
More >						
Materials Information						

For repairs **before October 7, 2024**, you must use the warranty claim information with template IDs ending in A, B, and C.

NOTE: If the INSPECTION PROCEDURE determined this Service Bulletin doesn't apply, use template C to submit a warranty claim for the inspection.

Operation Number	Description	Flat Rate Time	Defect Code	Symptom Code	Template ID	Failed Part Number
7491E3	Replace power seat slide (includes inspect and DTC check)	1.3 hr	6XW00	RHL00	A24016 A	81201-TBA-A61
8521K5	Replace manual seat frame (includes inspect and DTC check)	1.5 hr	6XW00	RHL00	A24016 B	81126-TLA-C01
7495A1	For stored DTCs other than DTC U3000-49 and/or inspection determines this Service Bulletin does not apply.	0.3 hr	6XZ00	KIT00	A24016 C	81136-T20-A61

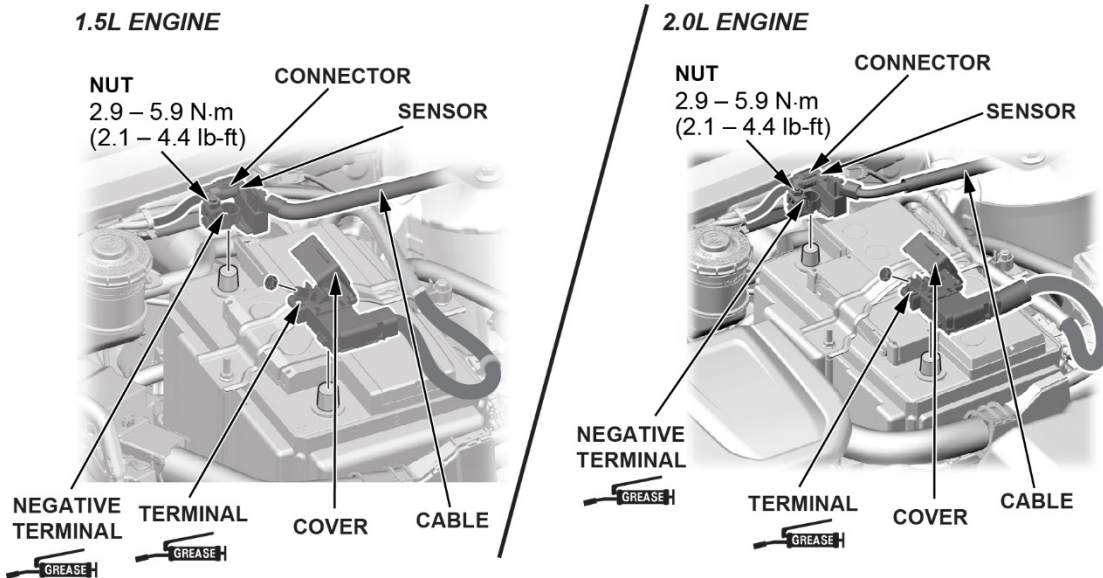
PARTS INFORMATION

Seat Weight Sensor Kit, P/N 04945-TBA-A00 has been allocated to dealers in limited quantities. Honda will continue to allocate kits on a weekly basis. Refer to the Parts Information Bulletin 24-0020, *Multi-Model Seat-Weight Sensor Safety Recall Parts Availability*, for detail regarding parts availability and ordering.

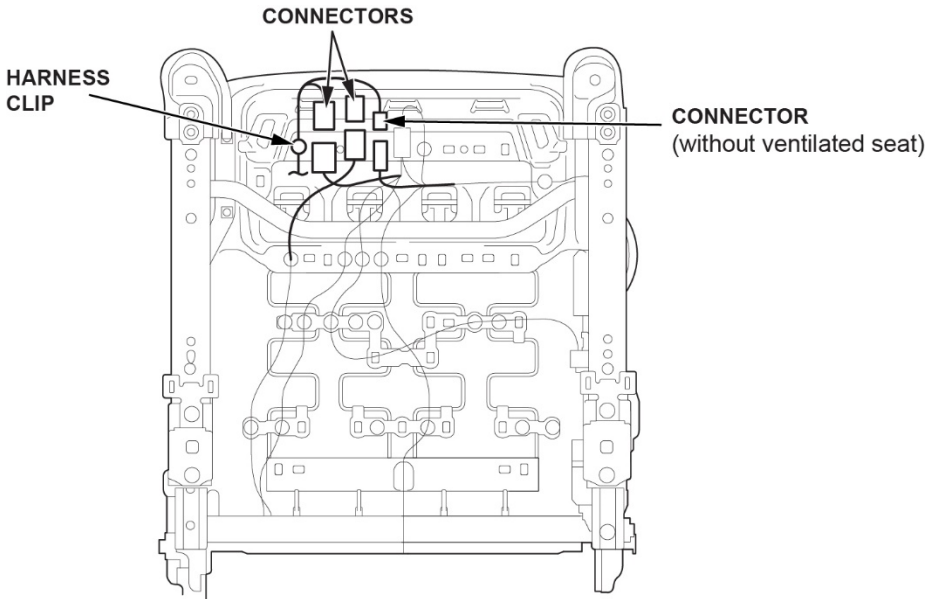
TOOL INFORMATION

Tool Name	Part Number	Quantity
SWS Fixture Guide A	07AAG-TVAA100	1
Snap-On Torque Wrench	07AAA-TVAA400	1
Box End Head (12MM)	07AAA-TVAA100	1
Box End Head (14MM)	07AAA-TVAA200	1
Box End Head (16MM)	07AAA-TG7A300	1

- Disconnect the negative terminal of the 12-volt battery.

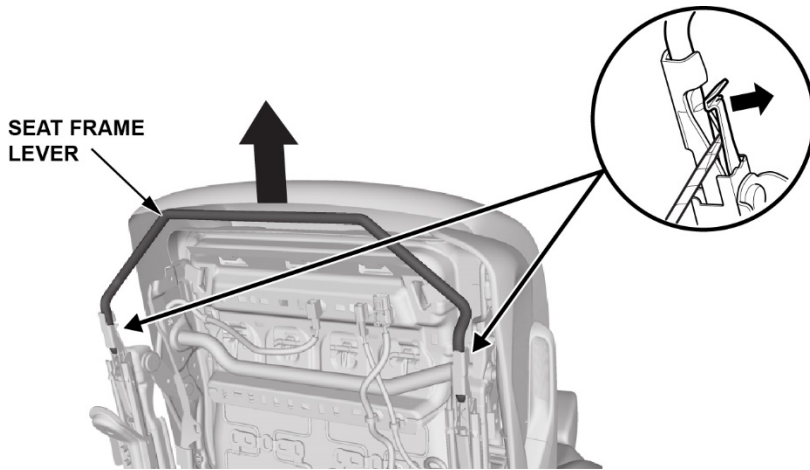


- Lift up the front seat, then disconnect the wiring connectors and detach the harness clip.
NOTE: Take a picture of the harness routing prior to removal for future reference.

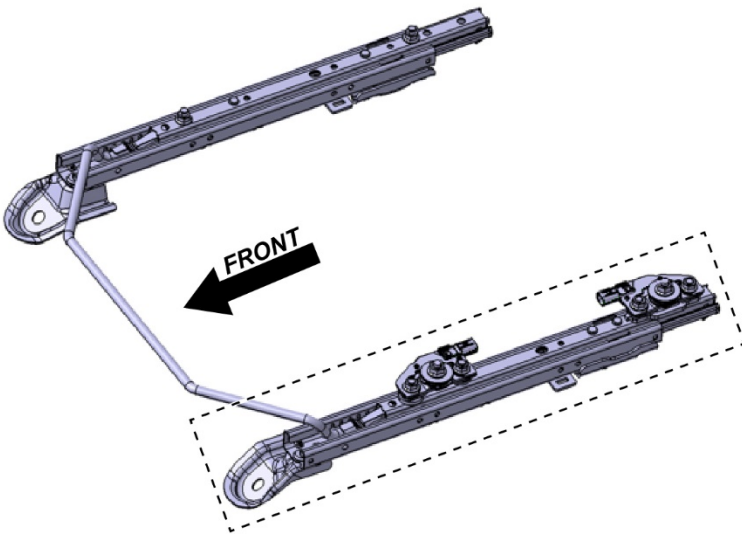


- With the help of an assistant, carefully remove the front seat through the front door opening and place the seat on a suitable area to work.

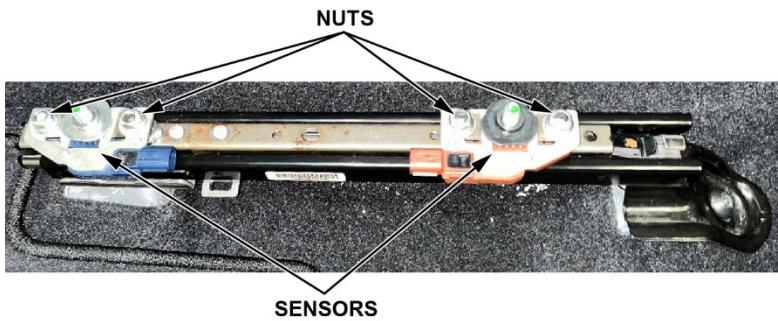
8. Remove the seat frame lever.



9. Remove the inner seat rail (with sensors) from the seat.



10. Mount the inner seat rail into the vehicle and remove the 2 seat weight sensors, then discard the nuts and sensors.



11. Loosely install the new sensors and nuts in the orientation shown.

SENSOR POSITION 1
LEFT FRONT

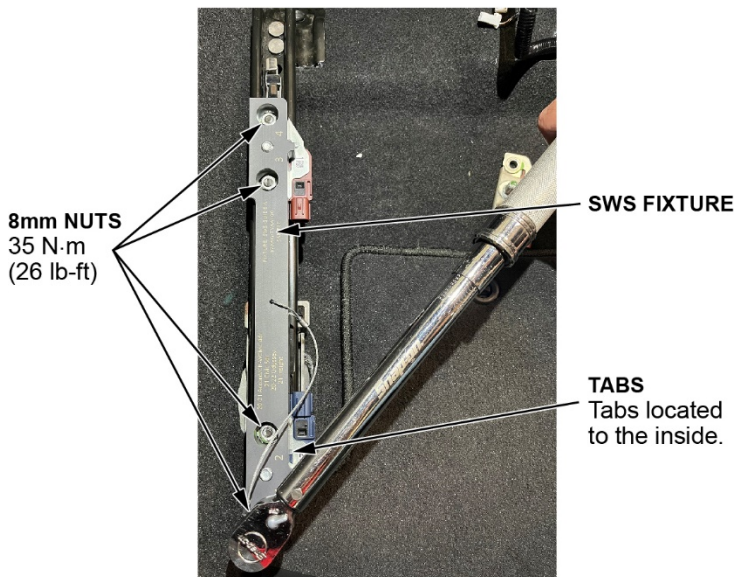
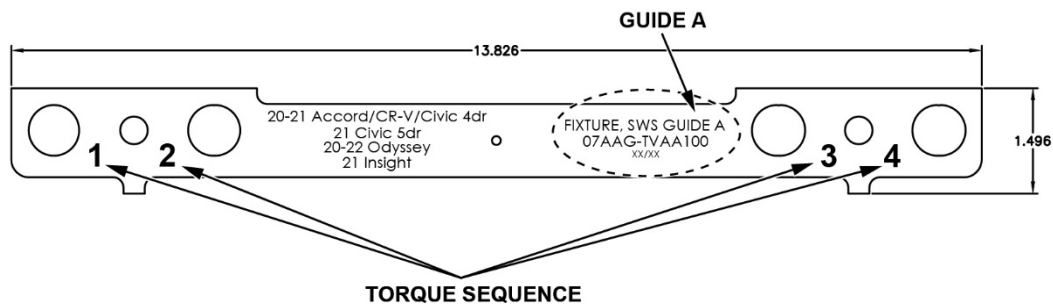


SENSOR POSITION 2
LEFT REAR



12. Place the **SWS Fixture Guide A** onto the new seat weight sensors with the tabs located to the inside of the seat track. With the guide properly seated on the new sensors, **torque the nuts to 35 N·m (26 lb-ft) in the order shown on the SWS fixture guide.**

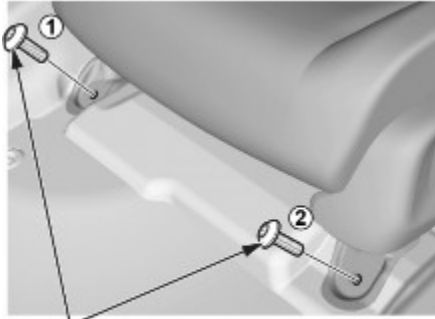
NOTE: Use the socket provided with the guide.



13. Remove the seat rail from the vehicle, then reinstall the seat rail to the seat frame. Use new washers and nuts and torque to **55 N·m (41 lb-ft)**.

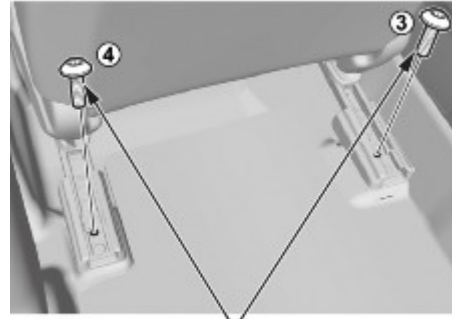
14. Install the seat and reconnect all connectors. Hand tighten the bolts first, then torque them in the sequence shown **43 N·m (32 lb-ft)**.

FRONT SIDE



BOLTS
43 N·m
(32 lb-ft)

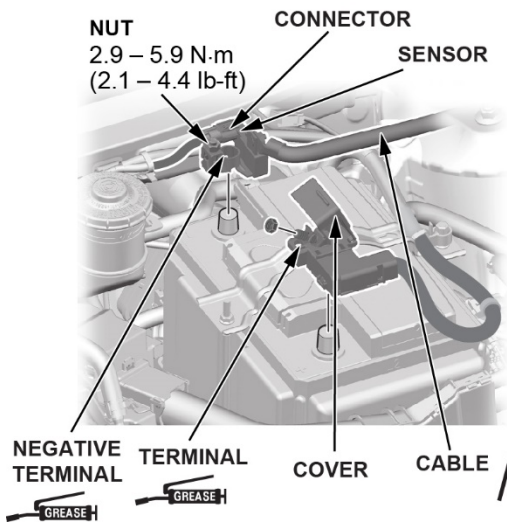
REAR SIDE



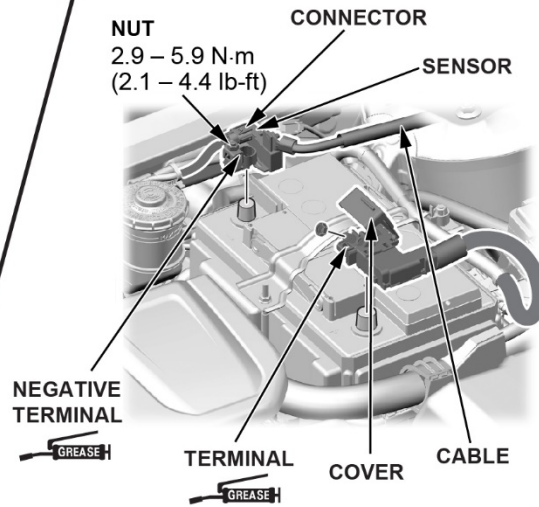
BOLTS
43 N·m
(32 lb-ft)

15. Connect the negative terminal to the 12-volt battery.

1.5L ENGINE



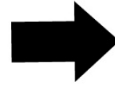
2.0L ENGINE



16. Do the seat weight sensor initialization,
- Accord ([Click Here](#)).
 - Accord Hybrid ([Click Here](#))
17. Do the front weight sensor operation check,
- Accord ([Click Here](#))
 - Accord Hybrid ([Click Here](#))
18. Confirm the SRS Operation: Turn the vehicle to the ON mode, and check that the SRS indicator comes on for about 6 seconds and then goes off.
19. Do the steering neutral position learn procedure,
- Accord ([Click Here](#))
 - Accord Hybrid ([Click Here](#))

Power Seat

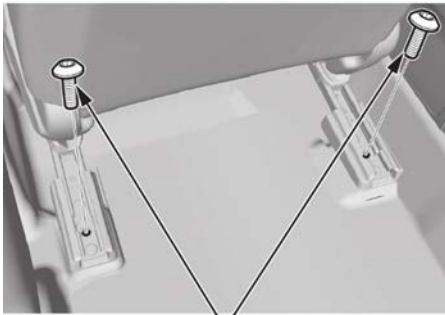
1. Remove the label from the new seat weight sensor box and affix it to the repair order.



Repair Order				<small> (1) TECHNICAL INFORMATION FOR THE FIELD SERVICE REPRESENTATIVE </small>	
CUSTOMER NAME: HIL	ADDRESS	CITY	STATE	PHONE DATE	WORKING NO.
FAHNSGUTH, HIL	1111 W. 10th ST.	LAKE CHARLES	LA 71272	808/208	808/208
ADDRESS	DATE WHEN	RELEASED BY	RELEASED DATE	ISSUED	ISSUED BY
1111 W. 10th ST.	1/20/00	1/20/00	1/20/00	808/208	808/208
HOME/TAH - USA	TYPE OF SERVICE	TYPE	REMARKS	DATE RECEIVED	BY
	REPAIR	REPAIR			
DATE WHEN	DATE	ISSUED BY	DATE REC.	DATE RECEIVED	BY
1/20/00	1/20/00	808/208	1/20/00	1/20/00	808/208
TECHNICIAN NAME	SCHEMATIC	REASON	APPL. NO.	ISSUED BY	ISSUED BY
FAHNSGUTH, HIL					
DESCRIPTION OF SERVICE AND PARTS					
***** PARTS LIST TO BE ORDERED FOR REPAIR OR SERVICE. ITEMS TO BE ORDERED BY THE FIELD SERVICE REPRESENTATIVE. ITEMS TO BE ORDERED BY THE SERVICE CENTER ARE LISTED IN THE PARTS LIST. ITEMS TO BE ORDERED BY THE SERVICE CENTER ARE LISTED IN THE PARTS LIST. ITEMS TO BE ORDERED BY THE SERVICE CENTER ARE LISTED IN THE PARTS LIST. ITEMS TO BE ORDERED BY THE SERVICE CENTER ARE LISTED IN THE PARTS LIST.					
NO REPAIR OR ELECTRICAL OR SPECIALIZED WORK				SIGNATURE _____ DATE _____	
X <i>John Smith</i>				SPECIAL ORDER PARTS QUANTITY TOTAL DUE	

2. Remove the adjustable head restraint.
3. Move the seat all the way forward and remove the rear mounting bolts.

REAR SIDE



BOLTS
43 N.m
(32 lb-ft)

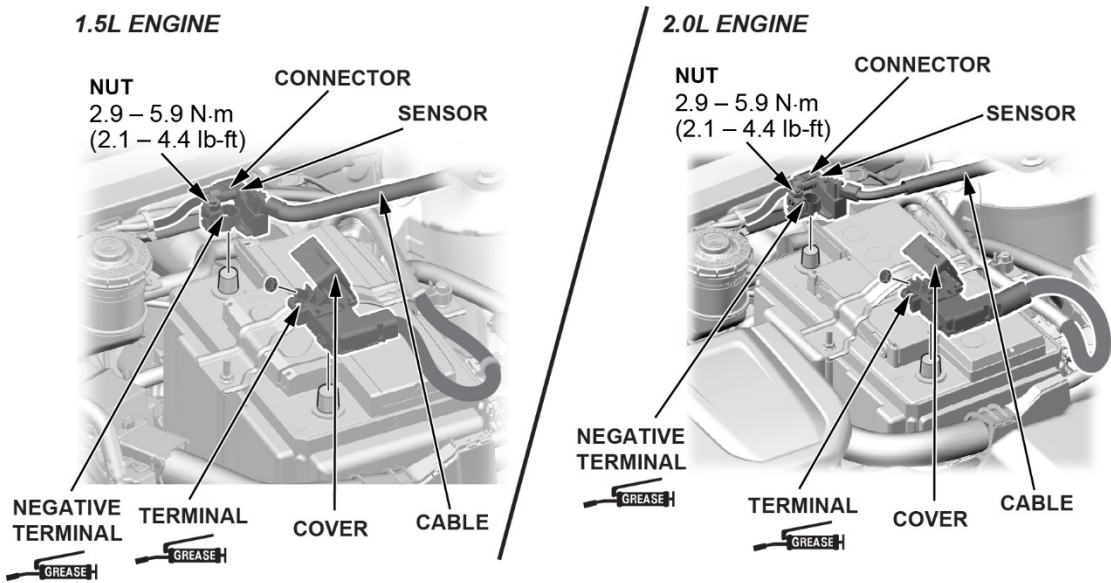
4. Move the seat all the way rearward and remove the front mounting bolts.

FRONT SIDE

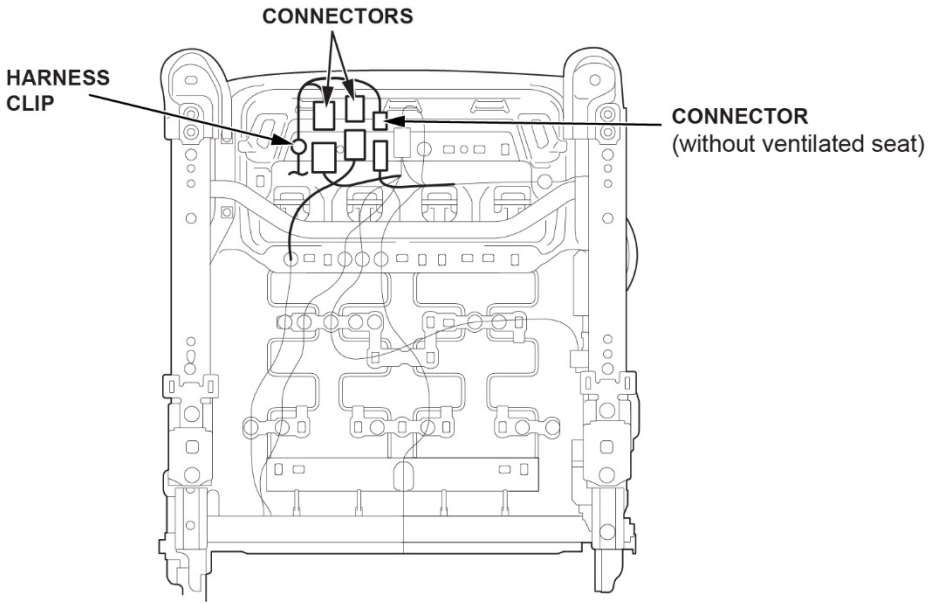


BOLTS
43 N.m
(32 lb-ft)

5. Disconnect the negative cable of the 12-volt battery.



6. Lift up the front seat, then disconnect the wiring connectors and detach the harness clip.
NOTE: Take a picture of the harness routing prior to removal for future reference.

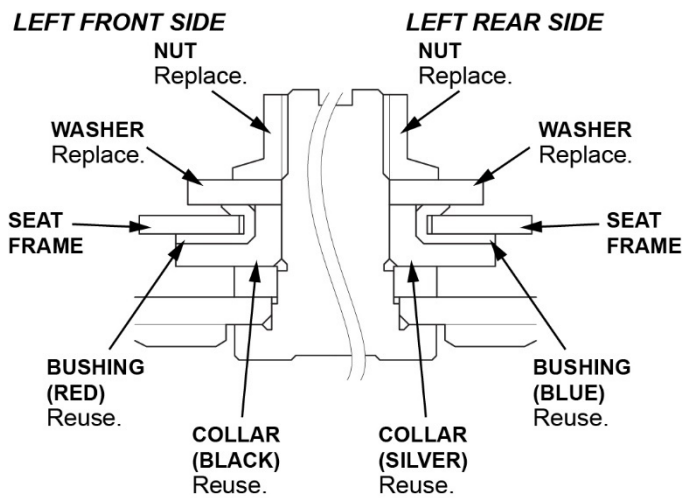
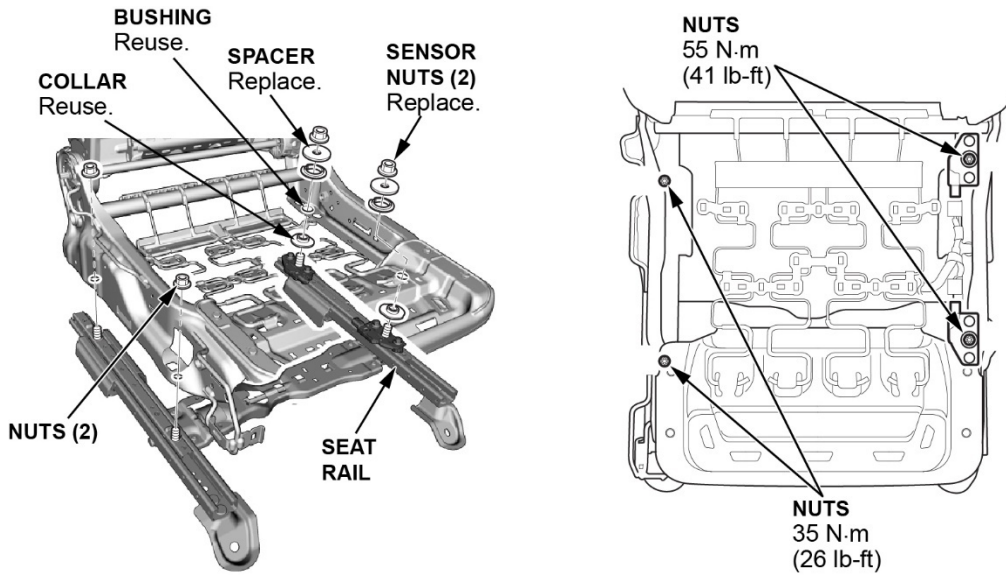


7. With the help of an assistant, carefully remove the front seat through the front door opening and place the seat on a suitable area to work.
NOTE: Take care not to damage the slide motor.
8. Take a picture of the harness arrangement underneath the seat, then disconnect the connectors on the seat motor and seat weight sensors.

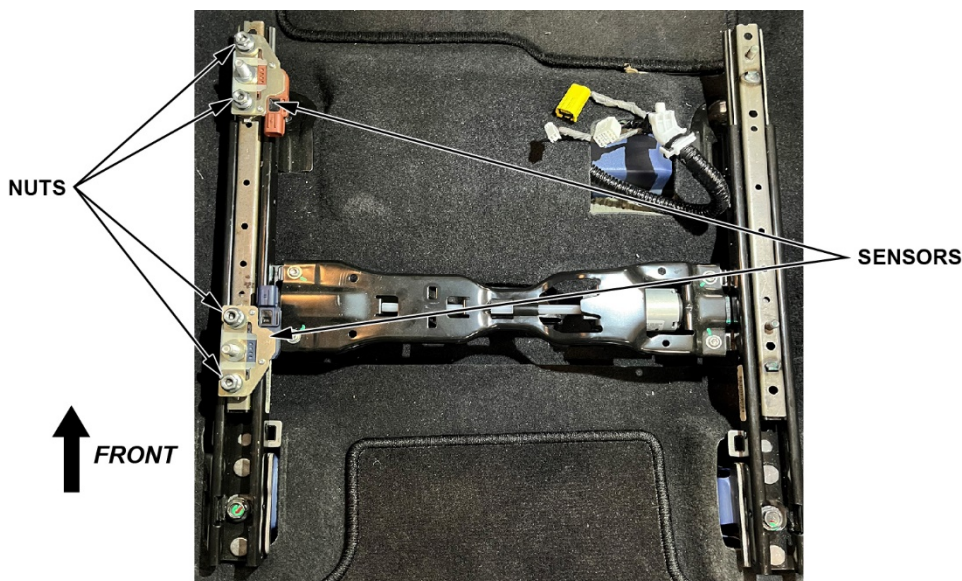
9. Remove the seat rails from the seat.

NOTE:

- Take a picture of all four seat frame nuts, bushings, and collars for reference.
- Mark the inner seat rail and seat to reference during assembly.



10. Mount the seat rail into the vehicle, then remove the 2 seat weight sensors, then discard the nuts and sensors.



11. Install the new sensors and nuts in the orientation shown.

**SENSOR POSITION 1
LEFT FRONT**

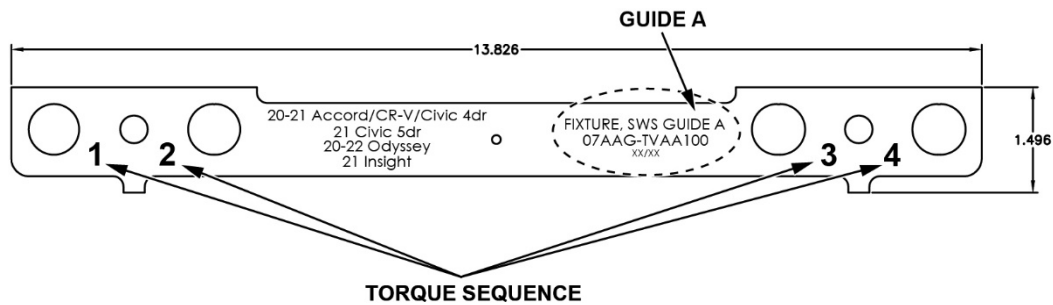


**SENSOR POSITION 2
LEFT REAR**

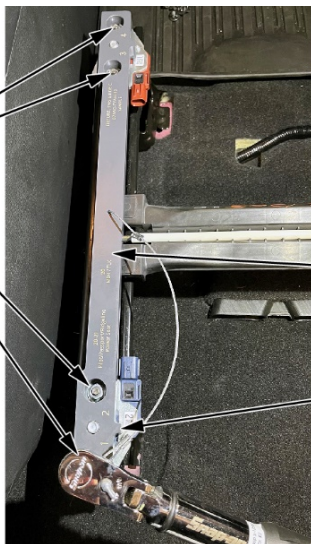


12. Place the **SWS Fixture Guide A** onto the new seat weight sensors with the tabs located to the inside of the seat track. With the guide properly seated on the new sensors, **torque the nuts to 35 N·m (26 lb-ft) in the order shown on the SWS fixture guide.**

NOTE: Use the socket provided with the guide.



8mm NUTS
35 N·m
(26 lb-ft)

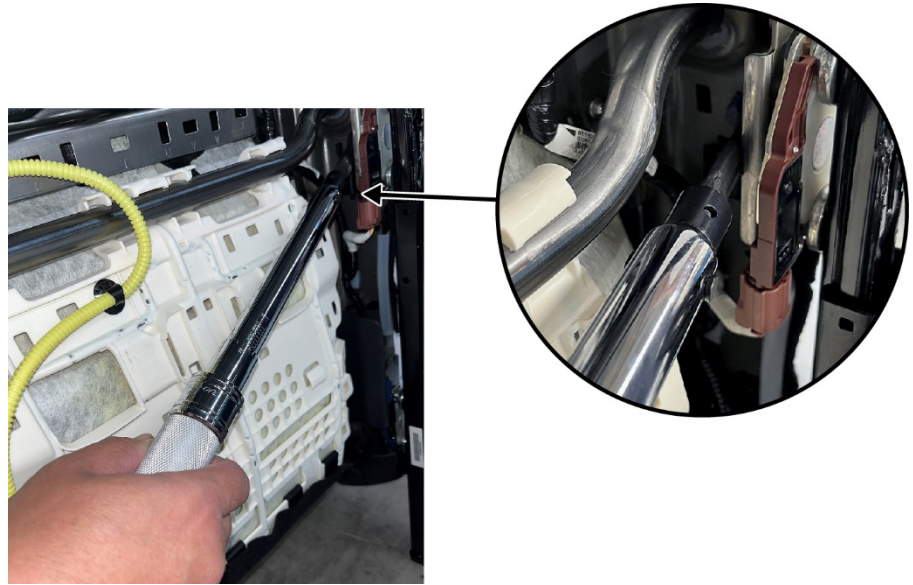
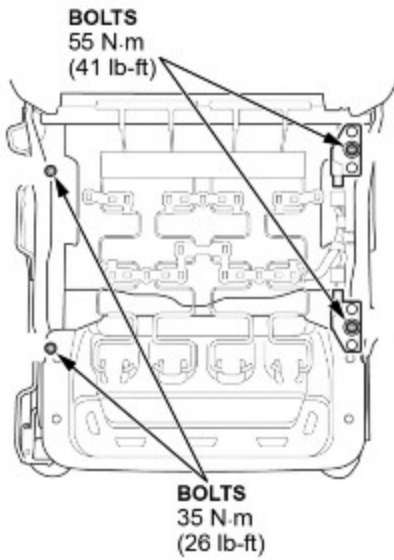


SWS FIXTURE GUIDE

TABS
Tabs located
to the inside.

13. Remove the seat rail from the vehicle. Reinstall the seat rail to the seat frame. Loosely install the new nuts and bolts and reinstall all parts.

NOTE: The bushings and collars can be identified by their color. Make sure to install the bushings and collars in the proper location.



14. Torque the left side seat frame bolts to **55 N·m (40 lb-ft)**. The right-side bolts should be torqued to **35 N·m (26 lb-ft)**.

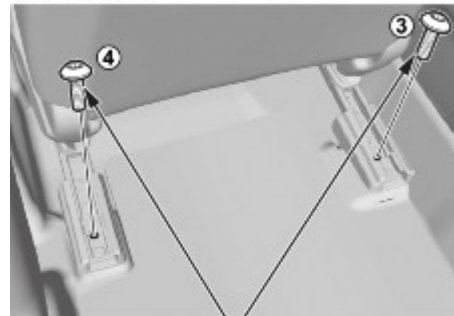
15. Install the seat and reconnect all connectors. Hand tighten the bolts first, then torque them to **43 N·m (32 lb-ft)** in the sequence shown.

FRONT SIDE



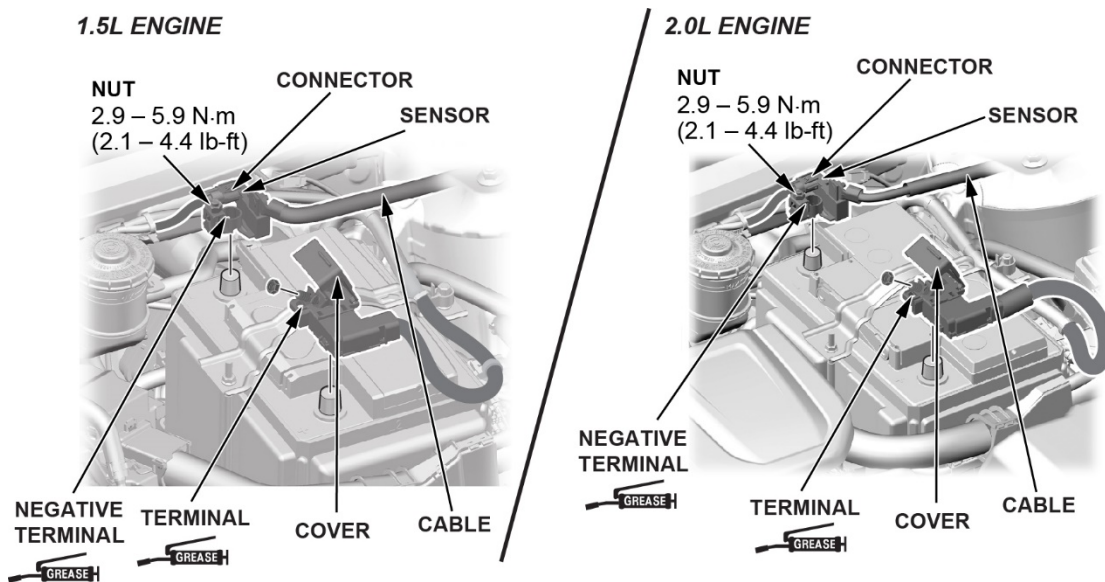
BOLTS
43 N·m
(32 lb-ft)

REAR SIDE



BOLTS
43 N·m
(32 lb-ft)

16. Connect the negative terminal to the 12-volt battery.



17. Do the seat weight sensor initialization,

- Accord ([Click Here](#)).
- Accord Hybrid ([Click Here](#))

18. Do the front weight sensor operation check,

- Accord ([Click Here](#))
- Accord Hybrid ([Click Here](#))

19. Confirm the SRS Operation: Turn the vehicle to the ON mode, and check that the SRS indicator comes on for about 6 seconds and then goes off.

20. Do the steering neutral position learn procedure,

- Accord ([Click Here](#))
- Accord Hybrid ([Click Here](#))