

July 17, 2024

Version 2

## Safety Recall: 2022 Civic Seat Weight Sensor (DTC U3000-49)

Supersedes 24-041, dated March 19, 2024, to revise the information highlighted in **yellow**.

### AFFECTED VEHICLES

Year	Model	Trim Level	VIN Range
2022	Civic	ALL	Check the iN VIN status for eligibility.

### REVISION SUMMARY

Under WARRANTY CLAIM INFORMATION, a new table entry was added.

### BACKGROUND

Affected vehicles may be equipped with seat weight sensors not built to proper specifications. Improperly built sensors could lead to cracking and/or a short circuit of the sensor, resulting in the illumination of the SRS warning light and the passenger airbag indicator remaining OFF. In certain collisions, these seat weight sensors may cause improper deployment of the front passenger airbag, increasing the risk of injury.

### CUSTOMER NOTIFICATION

Owners of affected vehicles will be sent a notification of this safety recall.

Do an iN VIN status inquiry to verify eligibility.

Some vehicles affected by this campaign may be in your new or used vehicle inventory.

Failure to repair a vehicle subject to a recall or campaign may subject your dealership to claims or lawsuits from the customer or anyone else harmed as a result of such failure. To see if a vehicle in inventory is affected by this safety recall, do a VIN status inquiry before selling it.

### CORRECTIVE ACTION

- If the SRS warning light is not illuminated, refer to *Campaign Notice 24-050*.
- If the SRS warning light is illuminated, follow the inspection procedure outlined in this bulletin.

**CUSTOMER INFORMATION:** The information in this bulletin is intended for use only by skilled technicians who have the proper tools, equipment, and training to correctly and safely maintain your vehicle. These procedures should not be attempted by “do-it-yourselfers,” and you should not assume this bulletin applies to your vehicle, or that your vehicle has the condition described. To determine whether this information applies, contact an authorized Honda automobile dealer.

## PARTS INFORMATION

Due to a limited supply of controlled parts, they require prior approval before shipping. This will be determined by the INSPECTION PROCEDURE, follow the steps provided by the QR code.

## WARRANTY CLAIM INFORMATION

**NOTE:** If the INSPECTION PROCEDURE determines this Service Bulletin doesn't apply, use template C to submit a warranty claim for the inspection.

Operation Number	Description	Flat Rate Time	Defect Code	Symptom Code	Template ID	Failed Part Number
8521K5	Replace manual seat slide w/seat cushion frame (includes inspect and DTC clear)	1.7 hr	6XW00	WHI00	A24041A	81136-T39-A01
8611L0	Replace power seat slide w/seat cushion frame (includes inspect and DTC clear)	1.8 hr	6XW00	WHI00	A24041B	81136-T20-A61
7495A1	For stored DTCs other than DTC U3000-49 and/or inspection determines this Service Bulletin does not apply.	0.3 hr	6XZ00	KIT00	A24041C	81136-T20-A61

Skill Level: Repair Technician

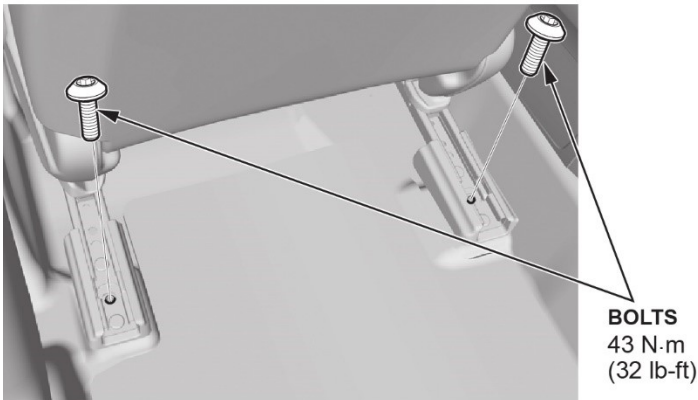
## INSPECTION PROCEDURE

1. Check for the SRS warning light on the dash.
2. If the SRS warning light is on, connect the HDS to the vehicle. Do an All DTC check.
3. If DTC U3000-49 is present, continue to step 4.

If DTCs other than U3000-49 are found, this service bulletin does not apply. Continue with normal troubleshooting.

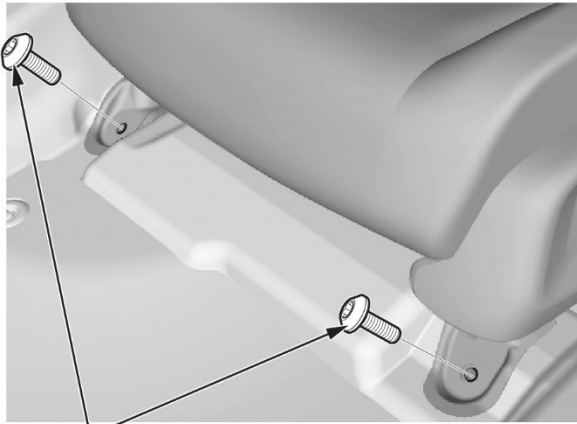
4. Remove the adjustable headrest restraint.
5. Slide the passenger's seat all the way forward and remove the rear seat rail fasteners.

### REAR SIDE



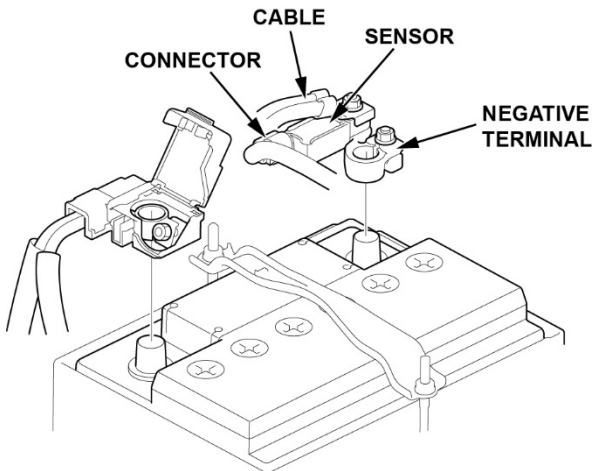
- Slide the passenger's seat all the way rearward and remove the front rail fasteners.

**FRONT SIDE**



**BOLTS**  
43 N.m  
(32 lb-ft)

- Disconnect the negative terminal of the 12-volt battery.



- Tilt the seat back and disconnect the seat weight sensor connectors from the seat harness.
- Connect the negative terminal of the 12-volt battery.

10. With the seat weight sensors disconnected, clear the DTC and do another All DTC check.

NOTE: Other new DTCs may be stored due to the seat weight sensors being unplugged. Disregard these new DTCs at this time.

- If DTC U3000-49 (Internal Failure of the SRS Unit) does not return, scan the QR code with a capable device and complete the form.

NOTE:

- This form must be filled out before parts can be ordered.
- If you can't scan the QR code, [\(Click HERE\)](#).

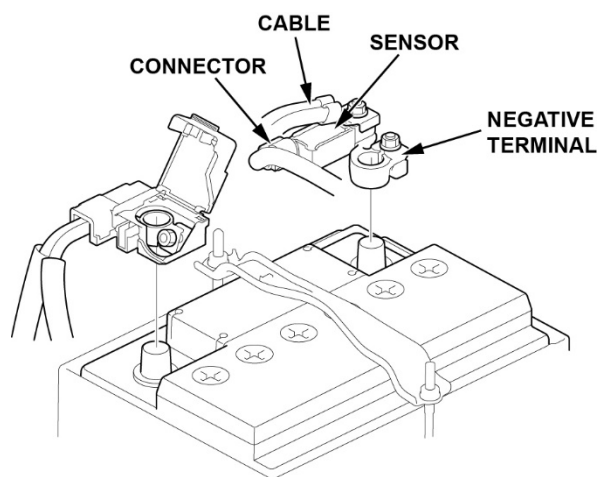


- If DTC U3000-49 does return, this service bulletin does not apply. Reconnect the SWS connectors and continue with normal troubleshooting.

## REPAIR PROCEDURE MANUAL SEAT

**NOTE: For Power Seats, see page 10.**

1. Set the Passenger's seat cushion to a full tilt-up position.
2. Disconnect the negative terminal of the 12-volt battery.



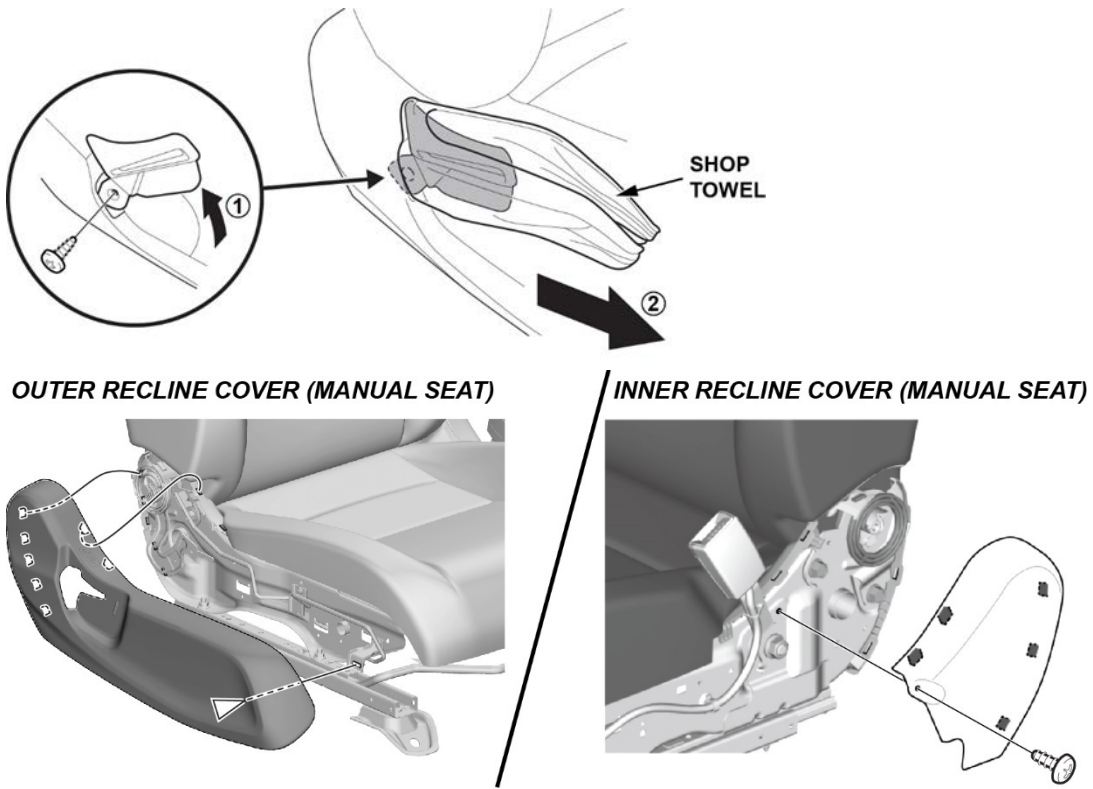
3. Disconnect all connectors,



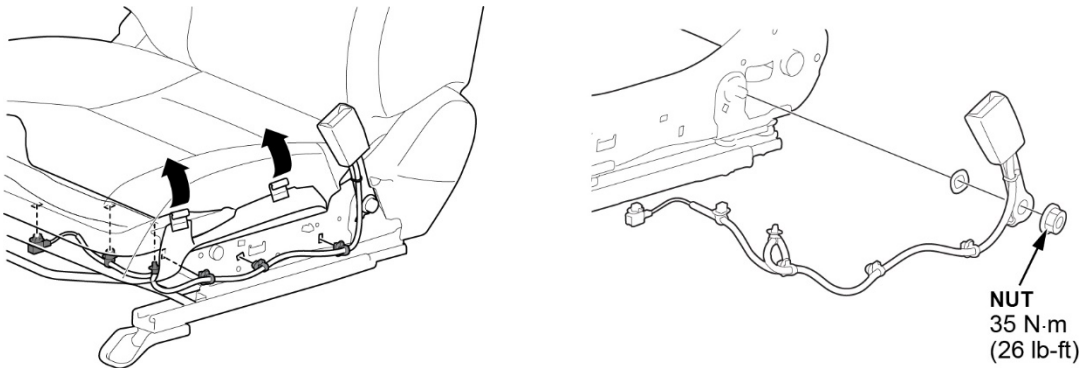
4. Carefully remove the seat from the vehicle and place it on a clean and suitable work area.
5. Carefully lay the seat on the seatback and take a photo of the wire harness layout for future reference.



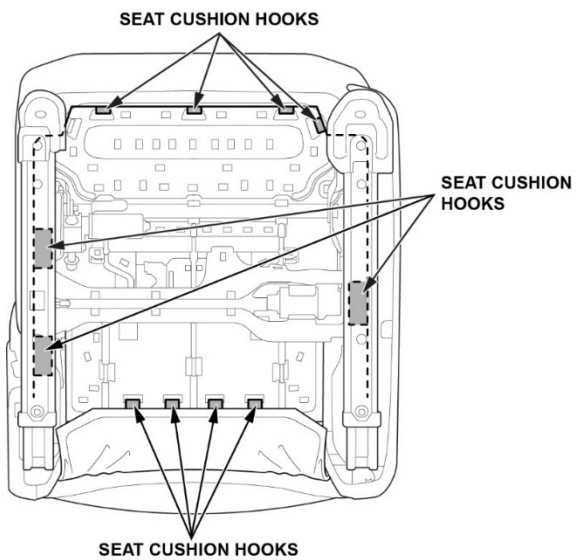
6. Remove/disconnect the following: The seat recline knob, the outer seat recline cover, and the inner seat recline cover.



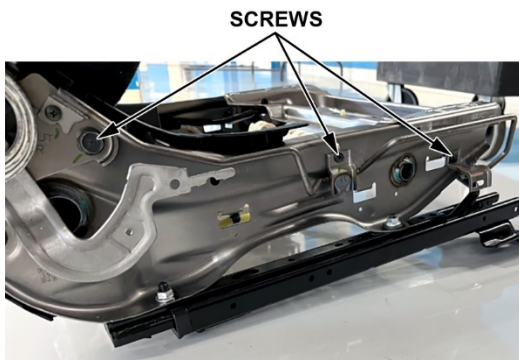
7. Remove the seat belt buckle.



8. Remove the seat cushion hooks.

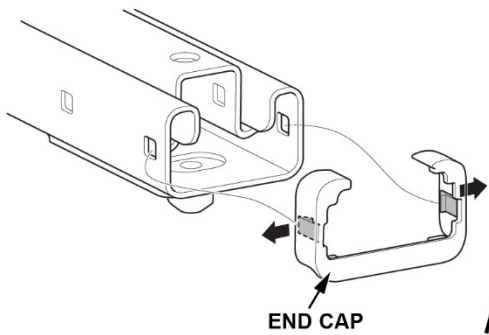


9. Remove the seat anchor wire (3 screws).

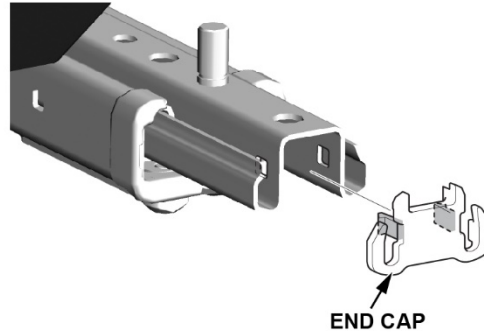


10. Remove the upper seat rail end caps and lower seat rail end caps.

**UPPER SEAT RAIL**

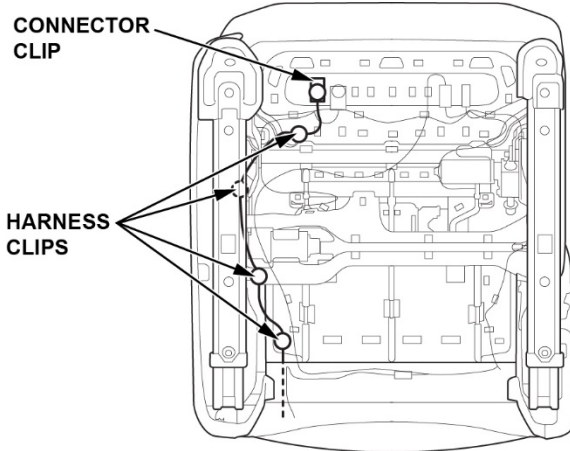


**LOWER SEAT RAIL**



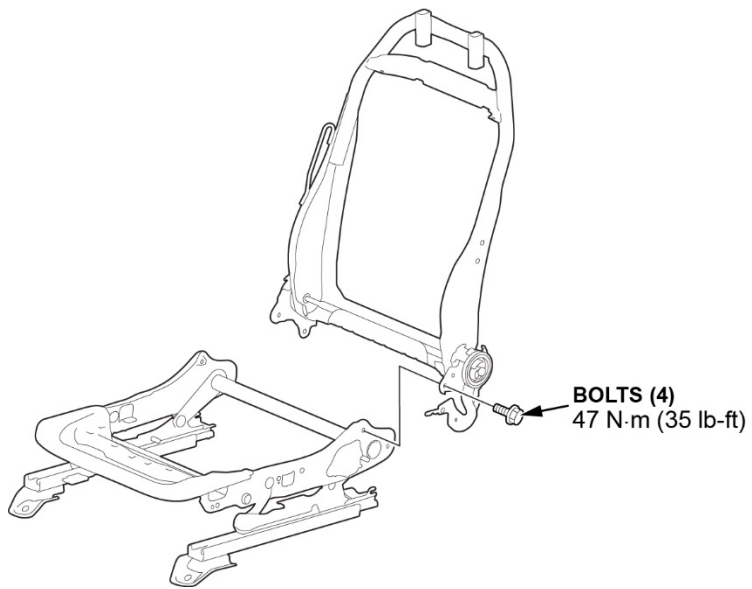
11. Remove the side airbag harness from the seat cushion frame.

- Remove the harness clips and the connector clip.

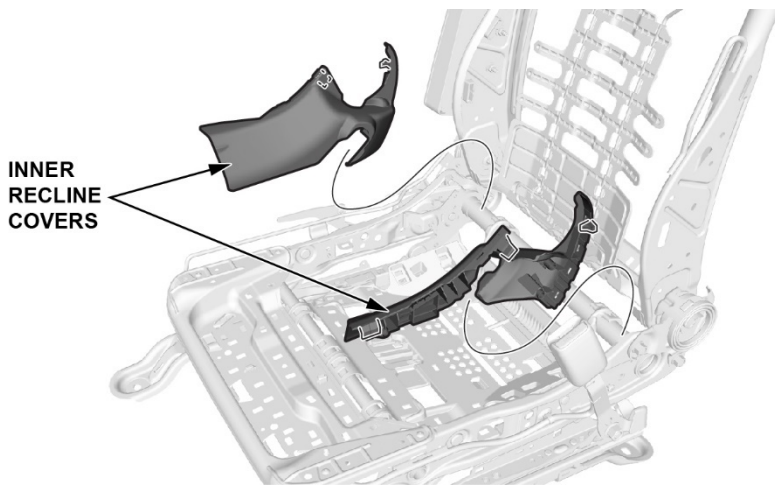




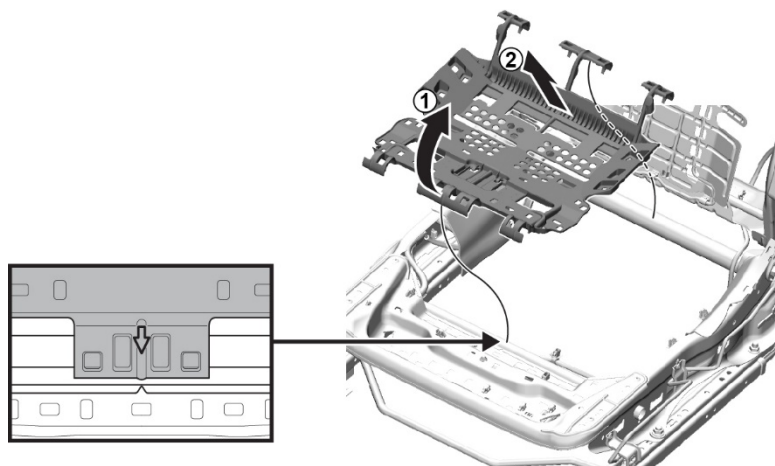
12. Remove the 4 bolts securing the seat back frame to the seat cushion frame.



13. Remove the Inner recline covers.



14. Remove the seat cushion spring.

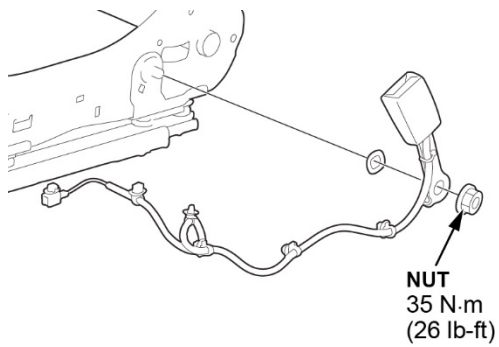


15. Remove the remaining harnesses attached to the seat cushion frame.

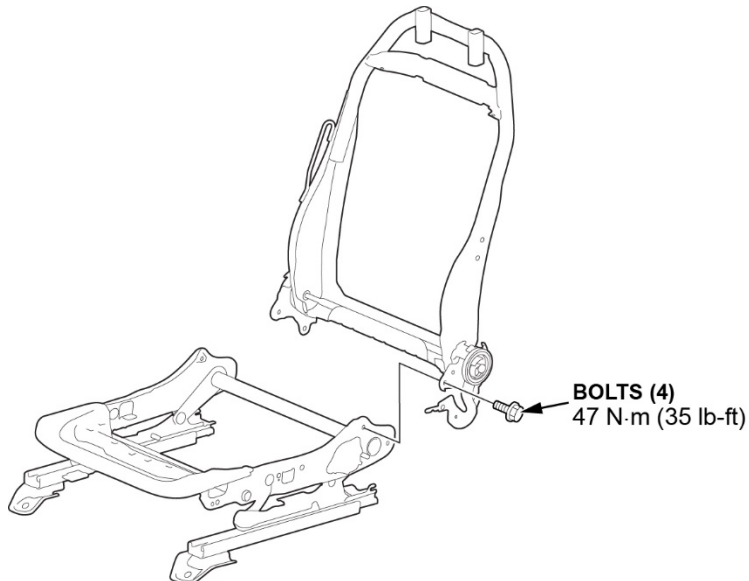
16. Transfer the removed parts to the new seat cushion frame in the reverse order of removal.



17. Install the seat belt buckle.



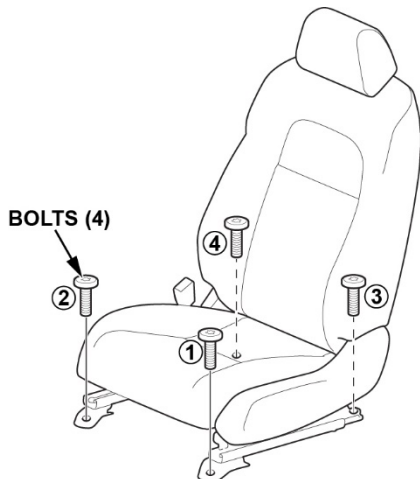
18. Attach the seatback frame to the seat cushion frame.



19. Attach the side airbag harness to the seat cushion frame.

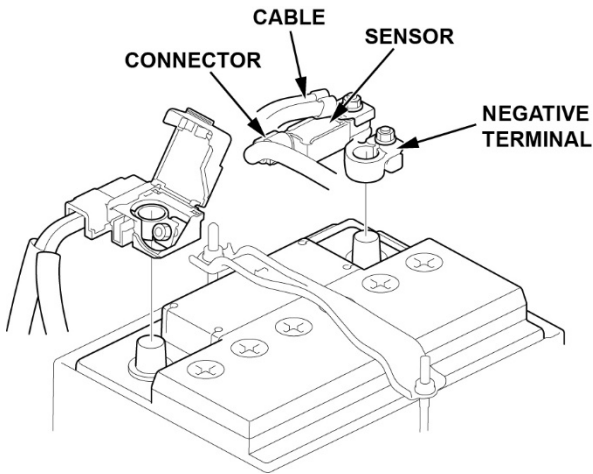
20. Install the seat back into the vehicle and torque the bolts in the sequence shown **43 N·m (32 lb-ft)**.

NOTE: Reconnect the connectors before securing the mounting bolts.



21. Install all remaining parts in the reverse order of removal.

22. Connect the negative terminal to the 12-volt battery.



23. Do the seat weight sensor initialization [\(Click Here\)](#).

24. Do the front weight sensor operation check [\(Click Here\)](#).

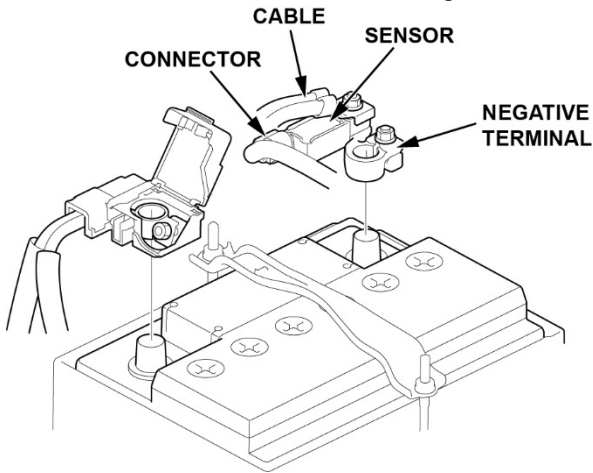
25. Confirm the SRS Operation: Turn the vehicle to the ON mode, and check that the SRS indicator comes on for about 6 seconds and then goes off.

26. Do the steering neutral position learn procedure [\(Click Here\)](#).

### REPAIR PROCEDURE POWER SEAT

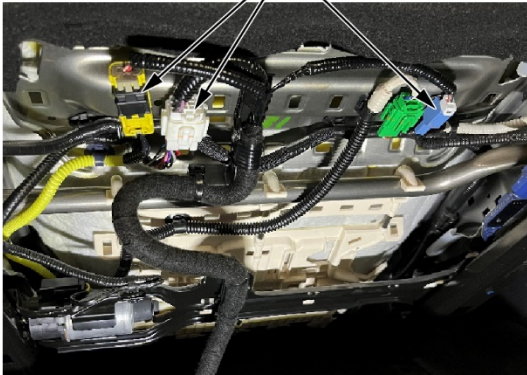
1. Disconnect the negative terminal of the 12-volt battery.

NOTE: Wait **3 minutes** before moving to the next step.

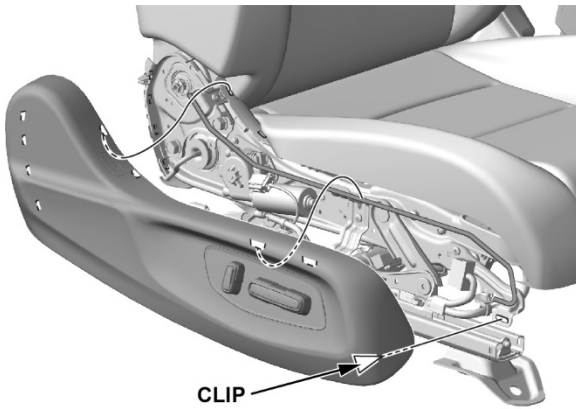


- Carefully tilt the seat backward and disconnect the 3 connectors.

**CONNECTORS**  
Disconnect.

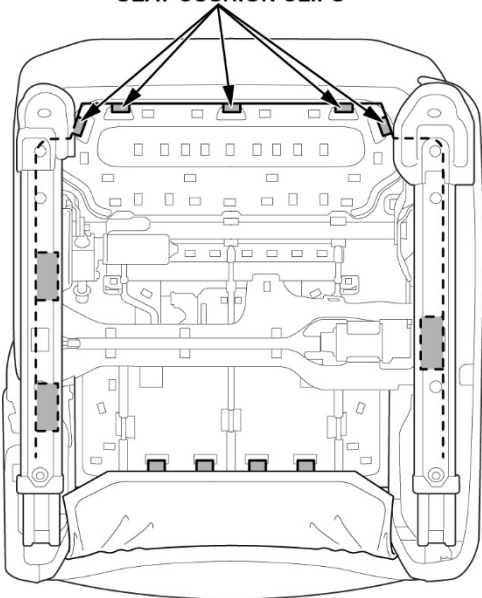


- Gently pull on the front edge of the outer recline cover to release the front clip.

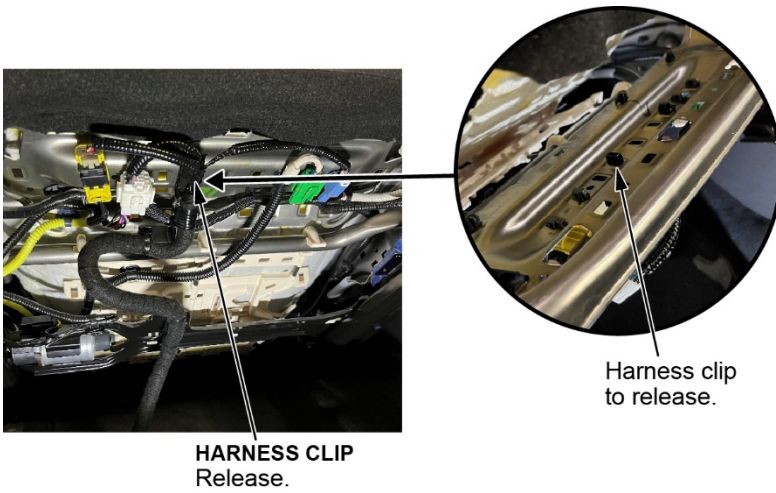


- Release the seat cushion clips.

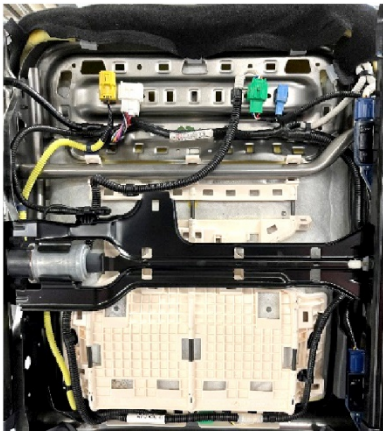
**SEAT CUSHION CLIPS**



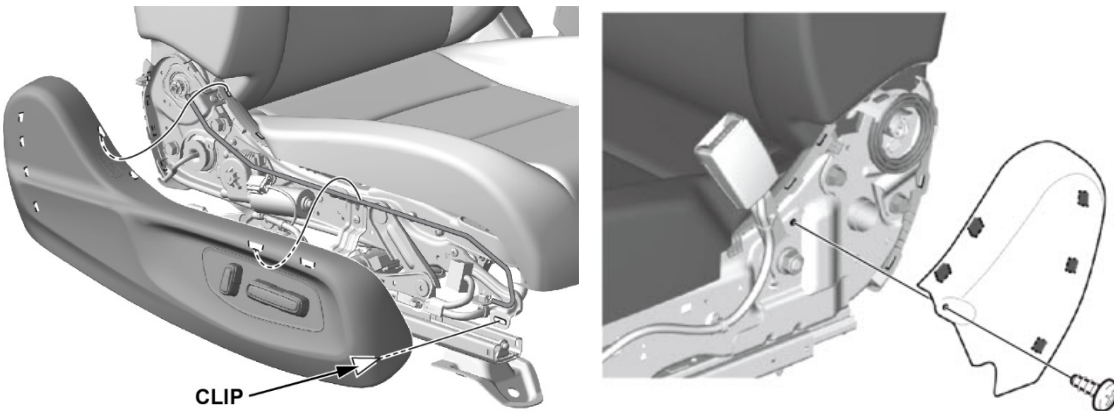
- Carefully pull up the seat cushion as needed, then release the harness clip.



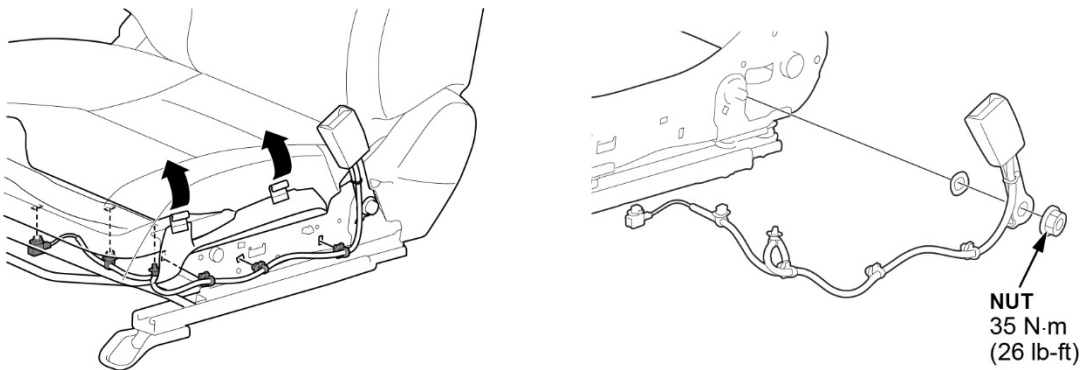
- Carefully remove the seat from the vehicle and place it on a clean and suitable work area.
- Carefully lay the seat on the seatback and take a photo of the wire harness layout for future reference.



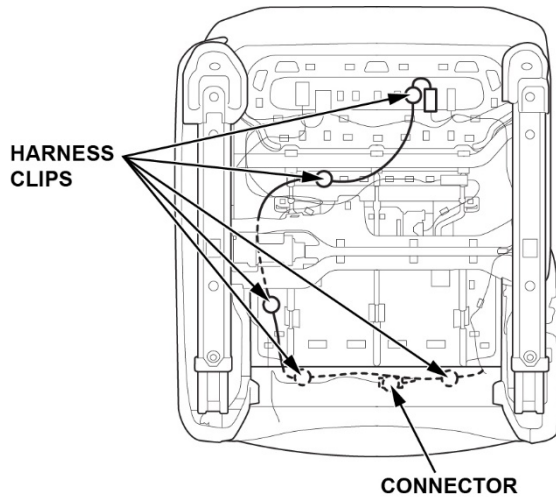
- Remove/disconnect the following:
- The Outer seat recline cover, and inner seat recline cover.



10. The seat belt buckle.

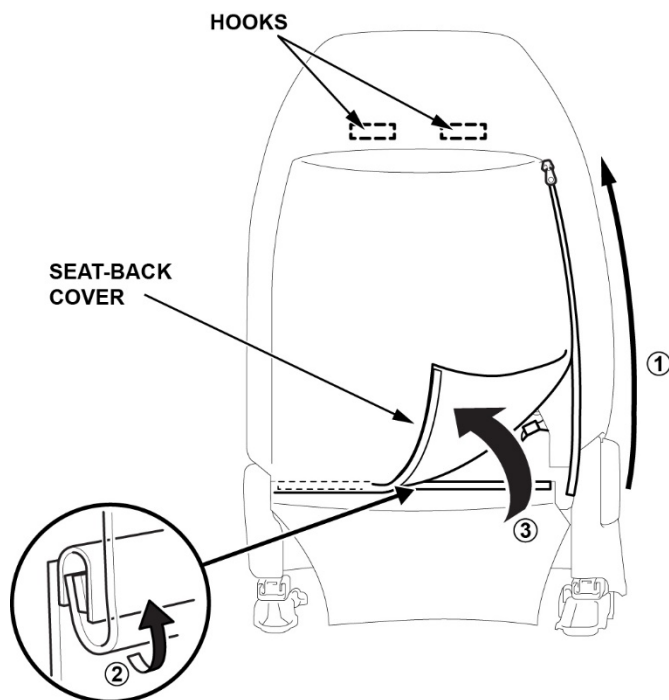


11. **If Equipped:** The seat harness connector and clips,

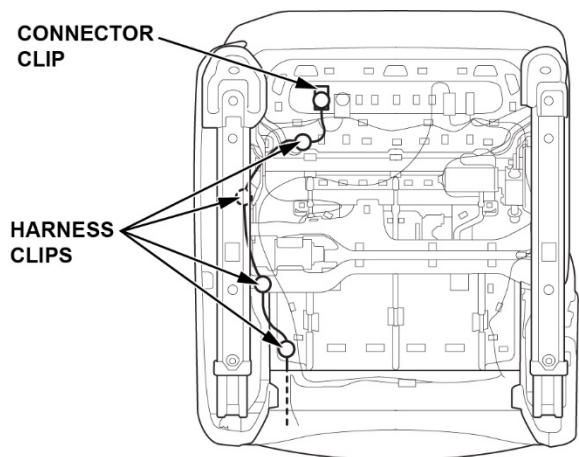


12. Undo the seat back cushion as needed:

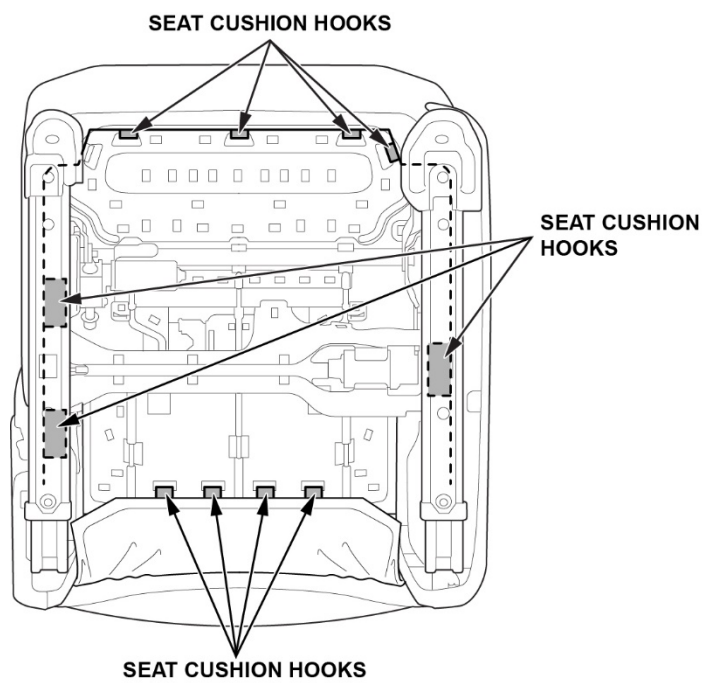
1. Turn over the seat-back cover.
2. Remove the hooks.



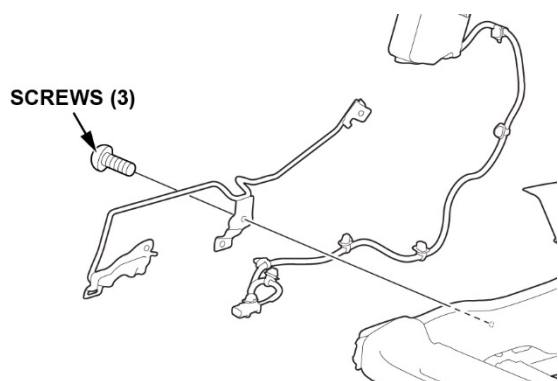
13. Remove the side airbag harness from the seat cushion frame, then remove the harness clips and the connector clip.



14. Remove the remaining seat cushion hooks.



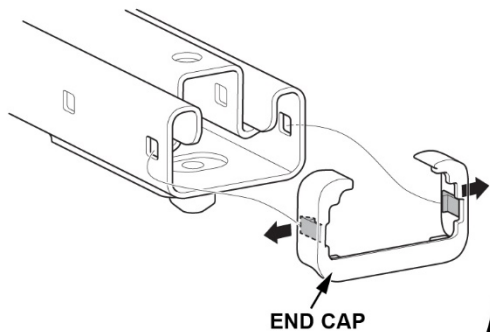
15. Remove the seat anchor wires.



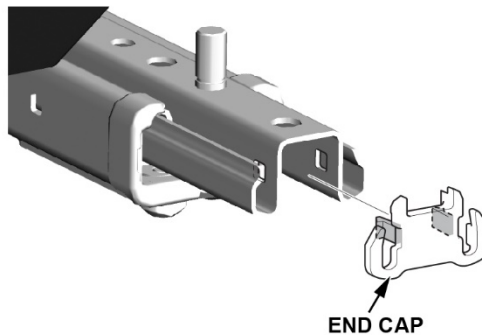


16. Remove the upper and lower seat rail end caps.

**UPPER SEAT RAIL**

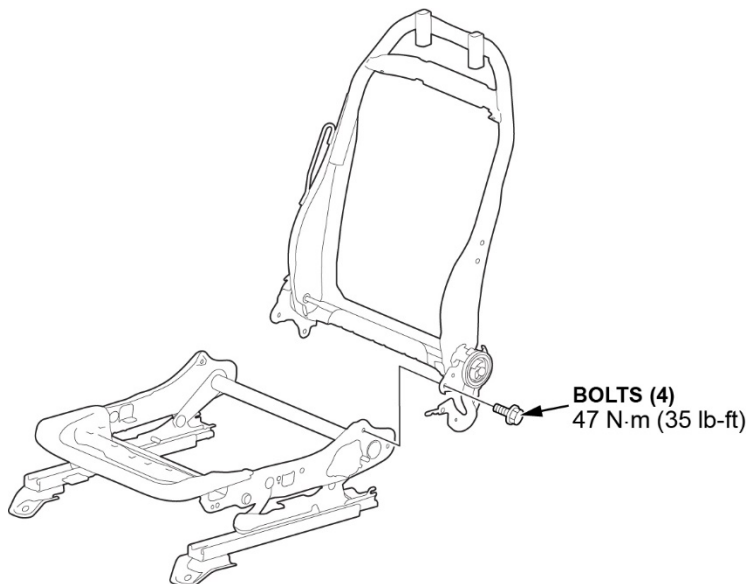


**LOWER SEAT RAIL**

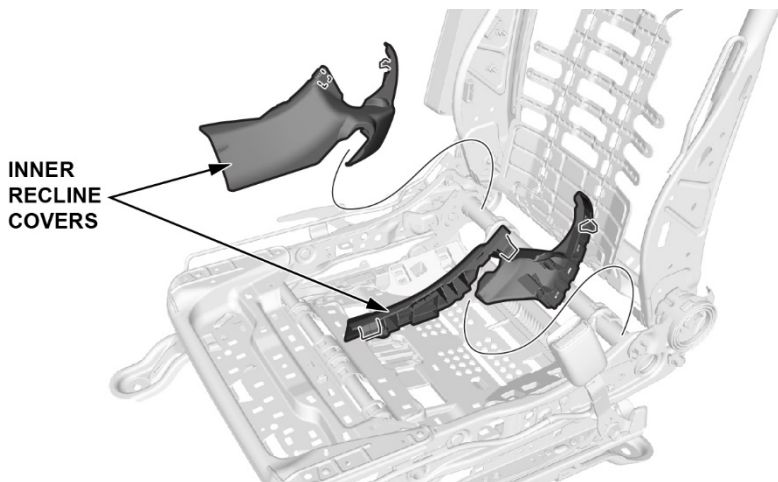


17. Remove and or disconnect any remaining harnesses that are still attached to the seat cushion frame.

18. Remove the 4 bolts securing the seat back frame to the seat cushion frame.

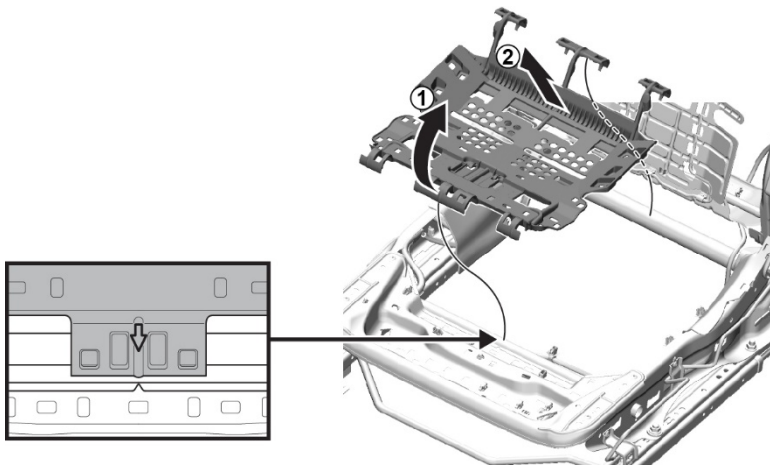


19. Remove the Inner recline covers.



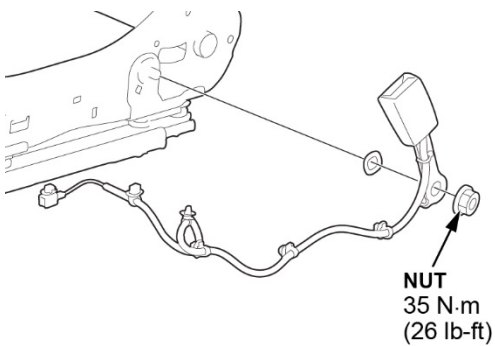


20. Remove the Seat Cushion Spring

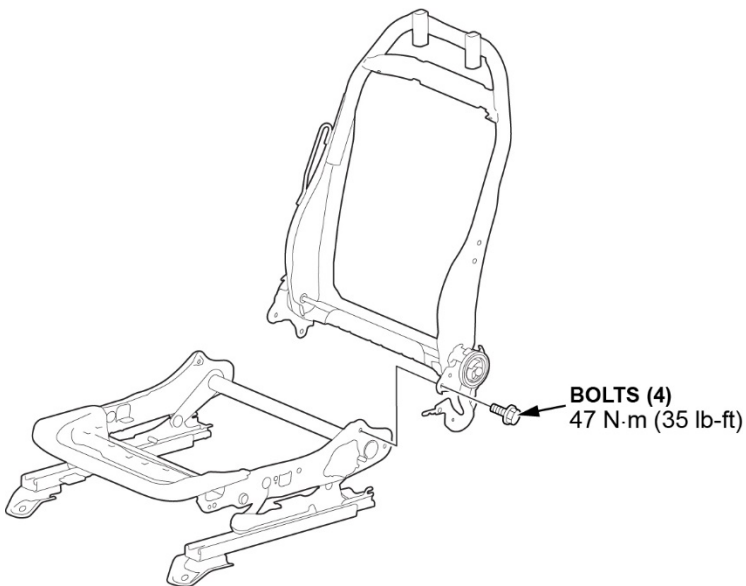


21. Transfer the removed parts to the new seat cushion frame in the reverse order of removal.

22. Install the seat belt buckle.



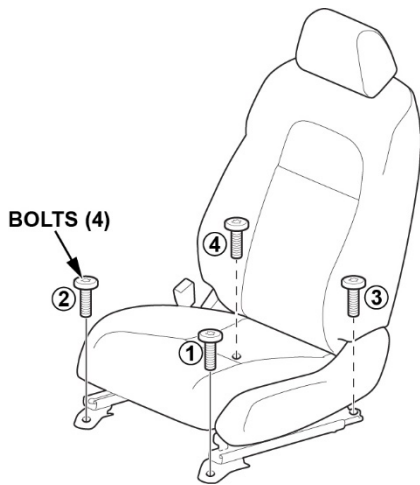
23. Install the seatback frame to the seat cushion frame.



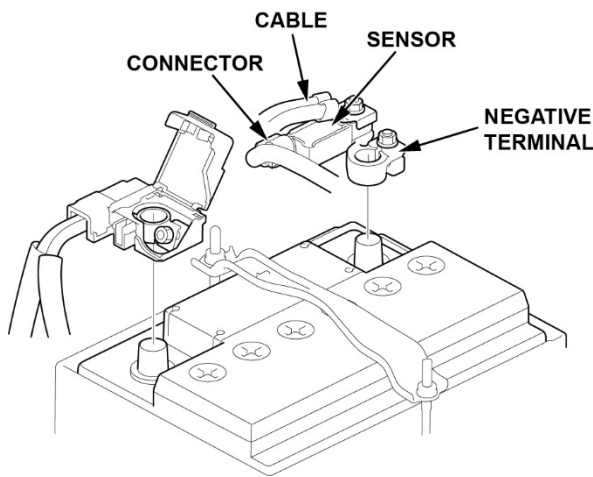
24. Install the side airbag harness to the seat cushion frame.

25. Install remaining parts in the reverse order of removal.

26. Install the seat and hand tighten the bolts first, then torque the bolts in sequence **43 N·m (32 lb-ft)**.



27. Connect the negative terminal to the 12-volt battery.



28. Do the seat weight sensor initialization [\(Click Here\)](#).

29. Do the front weight sensor operation check [\(Click Here\)](#).

30. Confirm the SRS Operation: Turn the vehicle to the ON mode, and check that the SRS indicator comes on for about 6 seconds and then goes off.

31. Do the steering neutral position learn procedure [\(Click Here\)](#).