



Timpte, Inc
100 Timpte Parkway
David City, NE 68632
(402) 367-3056
www.timpte.com

IMPORTANT SAFETY RECALL

This notice applies to your vehicle, [VIN]

NHTSA Recall No. 24V-403

14K Safety Recall Owner Notification

Owners Name:

This notice is sent to you in accordance with the National Traffic and Motor Vehicle Safety Act.

Timpte Manufacturing has decided that a defect which relates to motor vehicle safety exists in certain 2024-2025 Timpte 1420, and 1424 deck over trailers.

Why is the Recall being Conducted?

The 14k deck over trailers utilize a spring-loaded rotating ramp system. The ramps are held in place by metal tubing that is secured on both sides by bolts and nuts (see figure 1, page 2). In some instances, during the installation process the lock nut was not engaged fully and has been found to fall off or the bolt to fall out. If the tubing is unsecured, it can rotate out and cause damage to the ramp assembly during loading and unloading, increasing the risk of injury.

How Is Timpte going to Remedy this Recall?

Individuals involved in the recall will be sent new hardware which will include 4 new bolts and 4 new locking nuts. Proper installation instructions will be provided to ensure the locking nuts are engaged fully. The remedy should take no longer than 15-20 minutes to complete. To compensate for your time of inspecting and replacing the 4 bolts and nuts, Timpte will reimburse you \$25.00 per trailer.

What the Owner is needing to do

The owner needs to inspect all 4 bolts and ensure the locking nuts are fully engaged on the bolt. If any bolts or nuts need to be replaced, please follow the installation instructions to replace the bolts and nuts. Please report your findings and let Timpte Warranty know once your trailer is repaired. If any questions arise when inspecting the bolts on both sides of the ramps, please reach out to the Timpte Warranty Department at (402) 367-6310 or warranty@timpte.com. To receive your reimbursement please reach out to the warranty department listed above. When you reach out, please have the last 6 digits of the VIN and a couple pictures of the bolts.



Timpte, Inc
100 Timpte Parkway
David City, NE 68632
(402) 367-3056
www.timpte.com

WHAT IF YOU HAVE ALREADY PAID FOR THIS REPAIR?

Timpte will reimburse you if you can provide documented receipts detailing the repairs as it relates to this recall. Pictures of the failure before and after would be required. Labor reimbursement would be issued upon pictures being sent to the warranty department showing the corrected repairs. Please contact Timpte warranty either by phone or email to file a claim and start the reimbursement process.

If you no longer own this trailer, what should you do?

If you are no longer the original owner of the 14k deck over trailer, please reach out to the Timpte warranty department either by phone or email and provide the new owners contact information so the Recall letter can be sent to them. Your cooperation on this is very much appreciated.

Who should you contact with any questions?

Timpte Warranty Department
Timpte, Inc.
1827 Industrial Drive
David City, NE 68632
402-367-6310 Direct Warranty Line
402- 367-3056 Ext. 2091 General

If after having attempted to take advantage of this recall you believe you have not been able to have your 14k deck over trailer remedied without charge and within a reasonable amount of time, you may submit a complaint to the Administrator, National Highway Traffic Safety Administration, 1200 New Jersey Ave., S.E., Washington, D.C., 20590; or call the toll-free Vehicle Safety Hotline at 1-888-327-4236; or go to <http://www.safercar.gov>.

WHAT IF YOU ARE A LESSOR?

Federal law requires that you forward a copy of this safety recall notice to the lessee within 10 days.

We apologize for any inconvenience this safety recall may cause, but your safety is our first concern.

Sincerely,

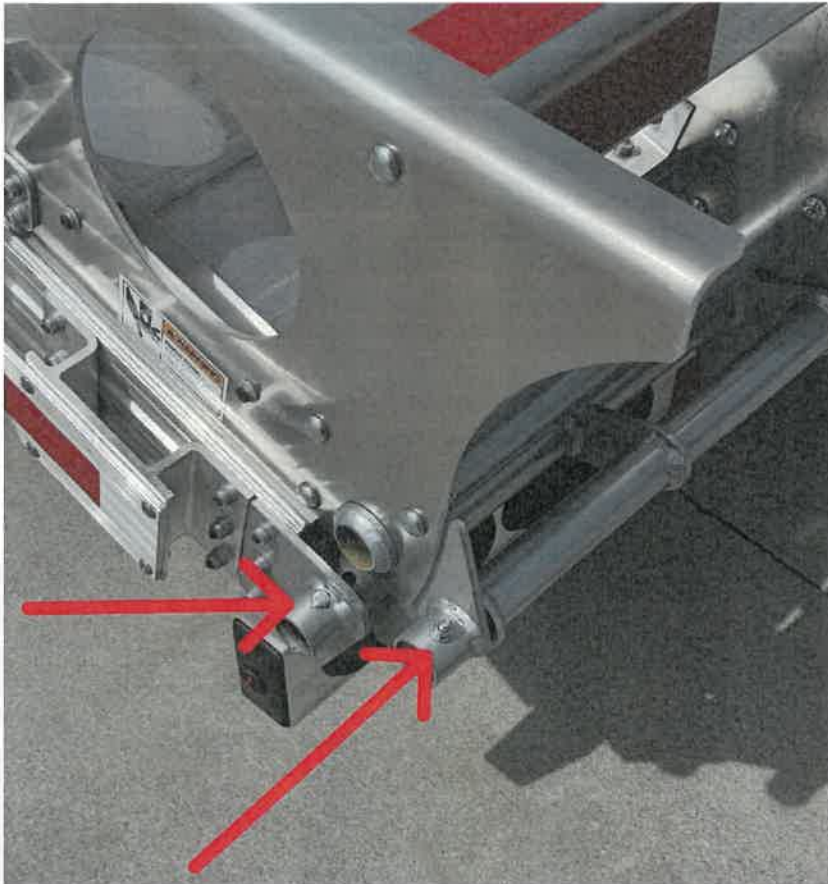
Timpte

Continued next page.



TimpTE, Inc
100 TimpTE Parkway
David City, NE 68632
(402) 367-3056
www.timpTE.com

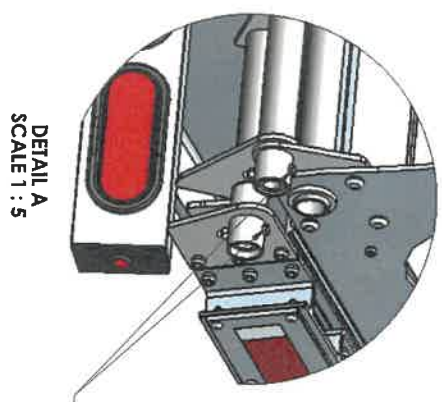
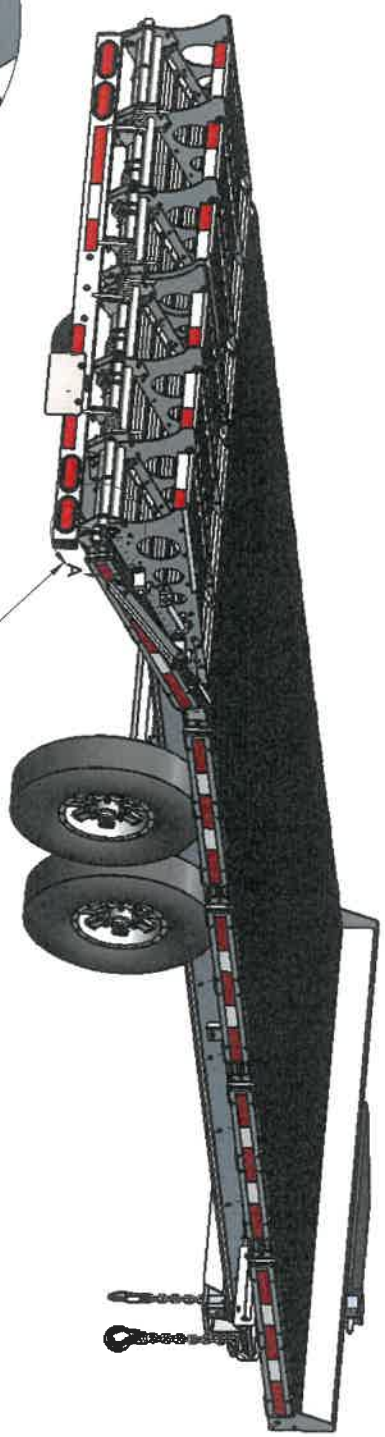
Figure 1. Location of nuts and bolts, one side.



PartNo	Alt PartNo	Part No
24 V-403		24 V-403

1. LOCATE THE NUTS AND BOLTS SHOWN IN DETAIL "A"
2. REMOVE NUTS AND BOLTS AND REPLACE WITH NEW HARDWARE ENSURING THE BOLT GOES THROUGH THE ENTIRE NUT. A MINIMUM OF 2 THREADS SHOULD STICK OUT BEYOND THE NUT.
3. TORQUE TO 8 FTLB DRY.
4. DISCARD OLD HARDWARE.
5. PARTS INCLUDED: 4X BOLTS 03213114, 4X NUTS 03261805

**** DO NOT RE-USE LOCK NUTS ****



REPLACE NUT AND BOLT
2X EACH SIDE OF RAMP

REV	DESCRIPTION	DATE	BY
1	14K DECK OVER RECALL	06/03/2024	
2			
3			
4			
5			
6			
7			
8			
9			
10			
11			
12			
13			
14			
15			
16			
17			
18			
19			
20			
21			
22			
23			
24			
25			
26			
27			
28			
29			
30			
31			
32			
33			
34			
35			
36			
37			
38			
39			
40			
41			
42			
43			
44			
45			
46			
47			
48			
49			
50			
51			
52			
53			
54			
55			
56			
57			
58			
59			
60			
61			
62			
63			
64			
65			
66			
67			
68			
69			
70			
71			
72			
73			
74			
75			
76			
77			
78			
79			
80			
81			
82			
83			
84			
85			
86			
87			
88			
89			
90			
91			
92			
93			
94			
95			
96			
97			
98			
99			
100			