



Recall Information Bulletin

No: C10134 **Issued:** 2/5/2025

NHTSA No: 24V887

Transport Canada No: 2025-007

Re: Rear Leaf Springs

SUBJECT:

Safety Recall C10134 – Rear Leaf Springs

MODELS:

FECZT (FE140), FEC7T (FE160)

VEHICLES INVOLVED:

Certain 2019-2020 model year FEC7T and FECZT trucks.

A list of vehicles your Dealership has sold that require this Recall can be found on the Dealer’s “Open Campaigns” list supplied by MFTA via Fusonet. Some individual vehicles described above may not need the Recall as the repairs may have already been performed. Always check the “VIN Inquiry” tab under “Service” or “Warranty” on Fusonet to verify that the VIN requires this Safety Recall.

Important note: It is a violation of Federal law for a dealer to deliver a new or used motor vehicle covered by this Recall Information Bulletin, under a sale or lease, until the Safety Recall has been completed.

OWNER NOTIFICATION:

Owners of affected vehicles will be notified by mail.

CONDITION:

Mitsubishi Fuso Truck of America, Inc. has decided that a defect, which relates to motor vehicle safety, exists in the rear leaf springs on certain 2019-2020 model year FEC7T and FECZT Mitsubishi Fuso trucks. On certain affected vehicles, a specific batch of rear leaf spring assemblies was built with leaves of insufficient strength that may break. A broken rear spring leaf may become a road hazard, increasing the risk of a crash.

MODIFICATION:

The rear leaf spring assemblies will be replaced on all affected trucks. If any rusted/seized hardware needs to be replaced, photos will be required.

RECALL CLAIM SUBMITTAL:

Reimbursement claims are filed through FALCON using the Field Fix claim type. Enter all requested information. The system will automatically apply the labor allowance and recall kit. If hardware is needed, reimbursement may be claimed under the non-OEM parts section of the claim. Photos of the rusted/seized hardware must be attached to the claim.

PARTS PROCUREMENT:

The **ML214383** leaf spring assemblies (2 per truck) must be ordered through the normal parts channels.

Campaign Reimbursement					
Campaign Number	Models	Allowances		Labor Description	Part Number
C1013410	FEC7T FECZT	Labor Time	2.2 hours	Install rear leaf spring assemblies	2) ML214383

REPAIR PROCEDURE:

1. Park the vehicle on a flat, level surface, turn off the engine and chock the wheels.

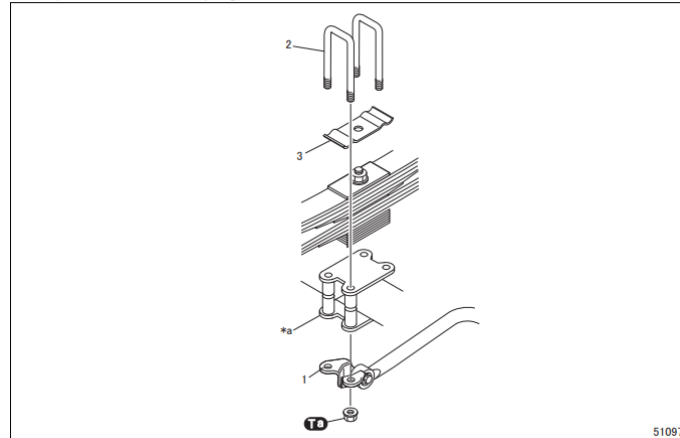
CAUTION!

Do not remove the wheel chocks until all modification work has been completed.

2. Install the rear leaf spring assemblies using instructions found Group 34 of the FUSO FE Gas Service Manual.

TIGHTENING TORQUES:

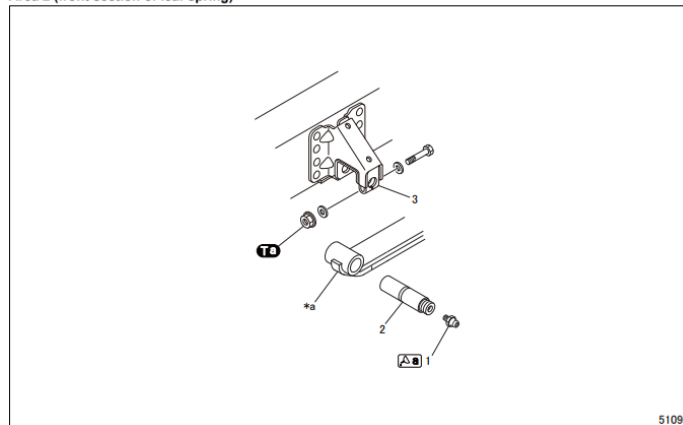
Area 1 (center section of leaf spring)



Tightening torque (Unit: N·m {ft.lbs, kgf·m})

Mark	Parts to be tightened	Tightening torque	Remarks
TD	Nut (U-bolt mounting)	340 ± 50 {250 ± 38, 34.6 ± 5.2}	M18

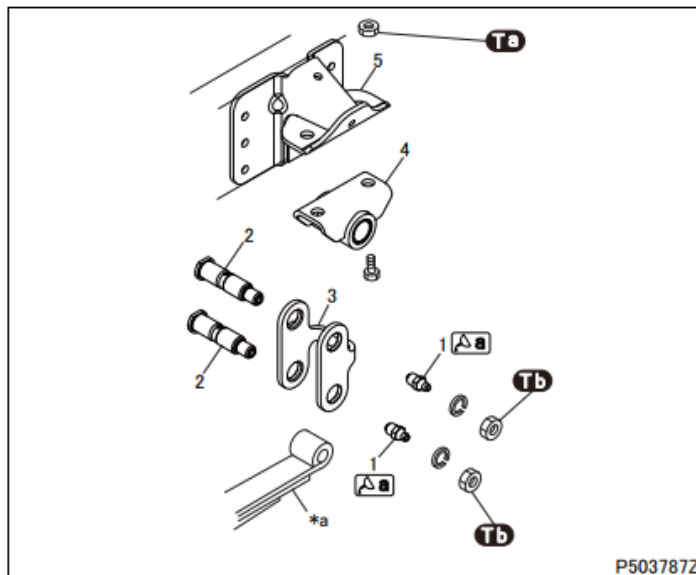
Area 2 (front section of leaf spring)



Tightening torque (Unit: N·m {ft.lbs, kgf·m})

Mark	Parts to be tightened	Tightening torque	Remarks
TD	Nut (spring pin mounting)	29 to 37 {21 to 27, 3.0 to 3.8}	—

Area 3 (rear section of leaf spring)



Tightening torque (Unit: N·m {ft.lbs, kgf·m})

Mark	Parts to be tightened	Tightening torque	Remarks
Tb	Nut (Shackle hanger bracket mounting)	125 to 155 {92 to 114, 12.7 to 15.8}	-
Tb	Nut (Shackle pin mounting)	148 to 201 {110 to 150, 15.1 to 20.5}	-