



**TAXA LLC
Customer Service Department
428 Industrial Ln
Birmingham, AL 35211**

August 2024

**TO: Taxa LLC Dealers
SUBJECT: NHTSA Recall: 24V-579**

Taxa LLC has decided that a defect which relates to motor vehicle safety exists in certain 2021-2024 Taxa Mantis trailers, and Taxa has issued a voluntary recall in accordance with the National Traffic and Motor Vehicle Safety Act, as amended. These trailers were manufactured between July 2021 and July 2024. Taxa has notified Mantis trailer owners of this recall, and trailer owners are already reaching out to Taxa Dealers to schedule repairs.

What is the reason for this recall? The gaskets and brackets could fail to stabilize the freshwater tank, allowing the tank to move and detach from the trailer.

What is the risk? In the affected trailers, a detached freshwater tank can fall, becoming a road hazard which increases the risk of a crash.

What is the fix? Please see the instructions attached to this letter for repair instructions and required parts. Please coordinate with Taxa's Customer Service Department to ensure required parts have been shipped to you in time for each Mantis trailer owner's appointment. When the service has been completed, please submit a completed recall checklist in the form attached to this letter to Taxa's Customer Service Department at customerservice@taxaoutdoors.com.

Dealers are to service all vehicles subject to this campaign at no charge to owners regardless of mileage, age of vehicle, or ownership from this time forward. Taxa will reimburse your service department for the labor time set forth in the repair instructions.

Thank you for your prompt attention to this important matter.

- Taxa Outdoors Team

Enclosures



NHTSA Recall # 24V579

Inspection & Repair Instructions

Rev 08272024

Overview:

This document provides detailed instructions for inspecting and repairing the TAXA Outdoors Mantis fresh water tank bracket. If you have any questions or require assistance with these instructions, please contact TAXA Outdoors.

Applicable Vehicles:

2021-2024 TAXA Outdoors Mantis models produced between 7/1/21 and 7/31/24.

Safety Alert:

This procedure involves working underneath the trailer and around potentially loose components. Ensure all loose water tank components are securely supported before beginning the repair. Perform all work on a stationary unit.

Tools and Supplies Needed:

- 7/16" Wrench
- 7/16" Socket and Ratchet Wrench
- Mechanic's creeper
- Lift and/or crate for supporting the water tank
- Anti-seize compound
- Flashlight

Items Provided by TAXA Outdoors:

- Mantis Replacement Bracket, Part# MT-06-1005 (x2)
- ¼-20 Hex Nylon Lock Nut, Stainless Steel, Part# HW-C13 (x4)
- ¼-20 Hex Head Bolt, Stainless Steel, Part# HW-H01 (x4)
- Gasket, 66.75" in length, Part# LN-G10 (x2)

Flat Rate Time: 0.75 Hours for Inspection and Repair

Inspection Procedure:

1. Preparation:

Place wheel chocks at both the front and rear of each tire to prevent any movement of the trailer. Verify that the trailer is completely stationary.

Remove any water in the water tank.

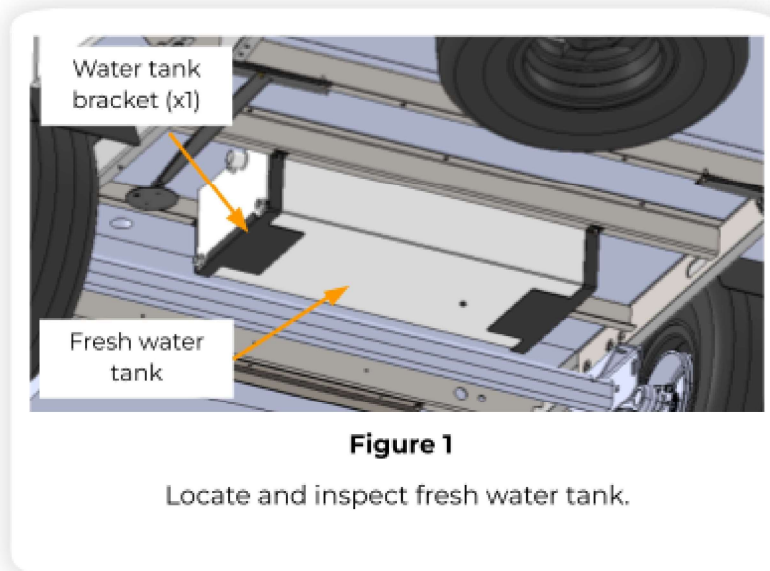
2. Access the Fresh Water Tank:

Position yourself behind the wheels and under the chassis. Use a mechanic's creeper for ease of access.

3. Inspect the Water Tank and Brackets:

Locate the fresh water tank and inspect it. Refer to Figure 1.

- a. Is the water tank deformed or damaged in any way?
- b. Are all fittings and hose connections secure?



NOTE: If any damage is found, document the issue and provide photos to TAXA Outdoors. Contact TAXA Outdoors customer service for further instructions on repairing damaged water tanks. If no damage is present, proceed to the repair procedure.

Repair Procedure:

4. Prepare for Bracket Removal:

Support the water tank using a lift or a sturdy crate before removing the brackets.

5. Remove the Existing Brackets:

Using a 7/16" ratchet and socket ratchet, remove the four bolts securing the water tank brackets. Apply anti-seize compound if necessary. Discard the used bolts and locking nuts. Set aside washers for reassembly later.

6. Prepare replacement Brackets:

Collect the gasket material and cut to the lengths shown in figure 2. Install them on the interior of the bracket. Match the placements shown in figure 3.

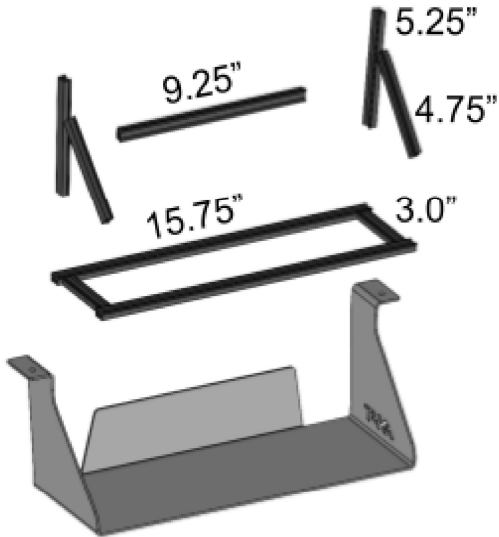


Figure 2

Cut and install gaskets to bracket.
The assembly is symmetrical.

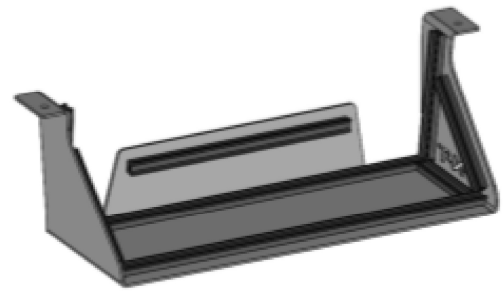


Figure 3

Replacement bracket (MT-04-1005) with
gaskets installed

7. Install Replacement Brackets:

Retrieve the replacement brackets (MT-06-1005) and ensure the water tank remains centered. Slide the new brackets into position, aligning them with the existing bolt holes on the chassis. .

8. Secure the Brackets:

Reinstall the brackets using the washers from step 5. Secure with the bolts (HW-H01) and locking nuts (HW-C13) provided by TAXA Outdoors. Ensure the bolt threads are facing downward. Torque the bolts to 63.3 in-lbs. See Figure 4.

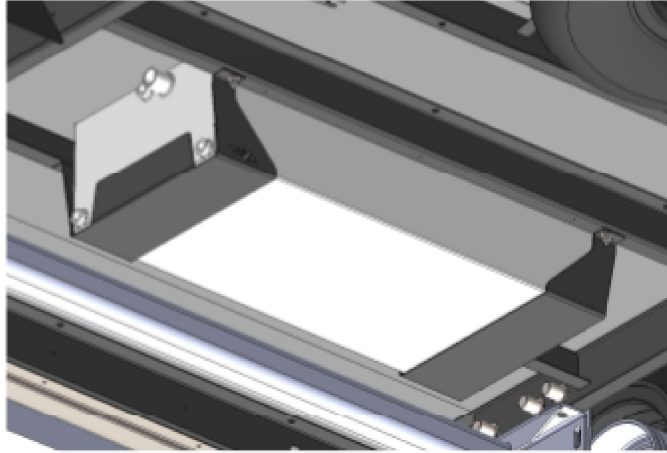


Figure 4

Replacement brackets installed.

Final Inspection:

9. Inspect Bracket Fitment:

Verify that all gaskets make contact with the tank, ensuring a compression of approximately 20%-30%. Use a flashlight if needed.

10. Check Tank Position:

Ensure the tank is properly centered within the brackets and is not deformed.

11. Finalize the Repair:

If the bracket alignment meets the requirements in steps 8 and 9, the repair is complete. If adjustment is needed, loosen the bolts, reposition the brackets, and retighten. Repeat the inspection to confirm proper fitment.



Recall # 24V579 Checklist

Rev08272024

Instructions:

Complete this checklist during the procedure outlined in the document "08142024 Recall #Mantis Water Tank Bracket Repair." Once the recall repair is complete, supply completed form to TAXA Outdoors via email at customerservice@taxaoutdoors.com.

Service Center Name: _____

Date: _____

Name/Employee # of person(s) performing recall service:

Owner's Name: _____

VIN: _____

Step 3. Inspect the Water Tank and Brackets:

Is there any damage to the tank, fittings, or hoses? **Yes**____ **No** ____

If yes, list what damage was found on the lines below along with taking pictures of all damage to send to TAXA Outdoors:

Step 7. Secure new brackets:

Mounting bolts were torqued to 63.3 in-lbs

Initial: _____

Step 10. Finalize the Repair:

All gaskets make contact with the tank without deforming it in any way.

Initial: _____