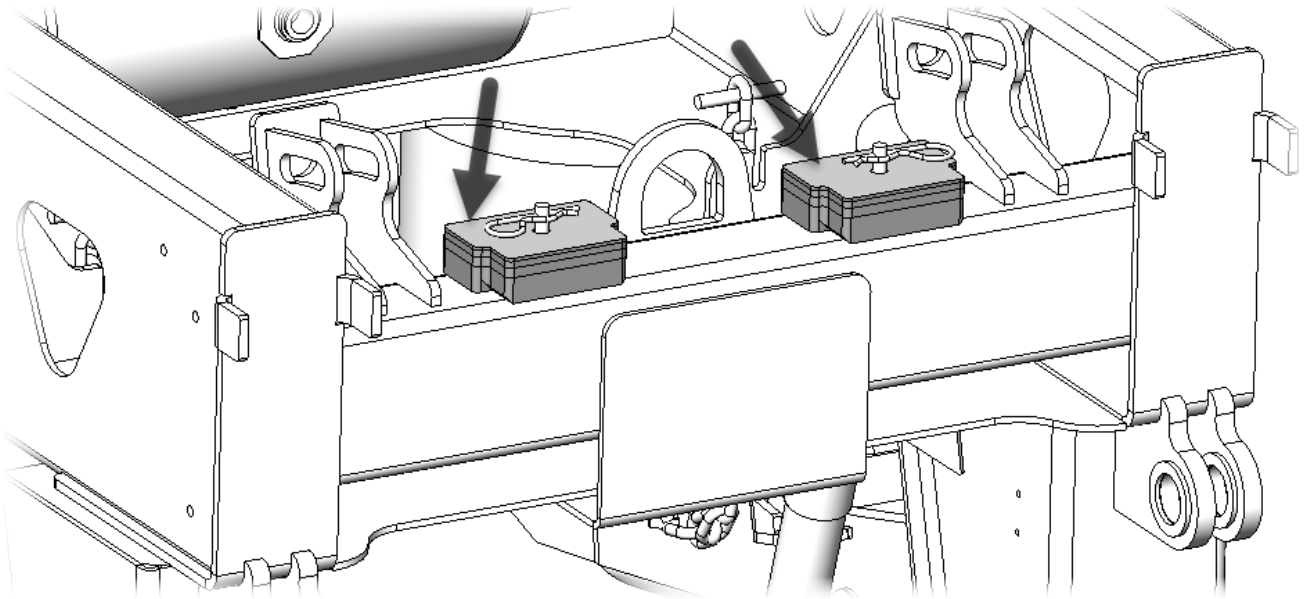
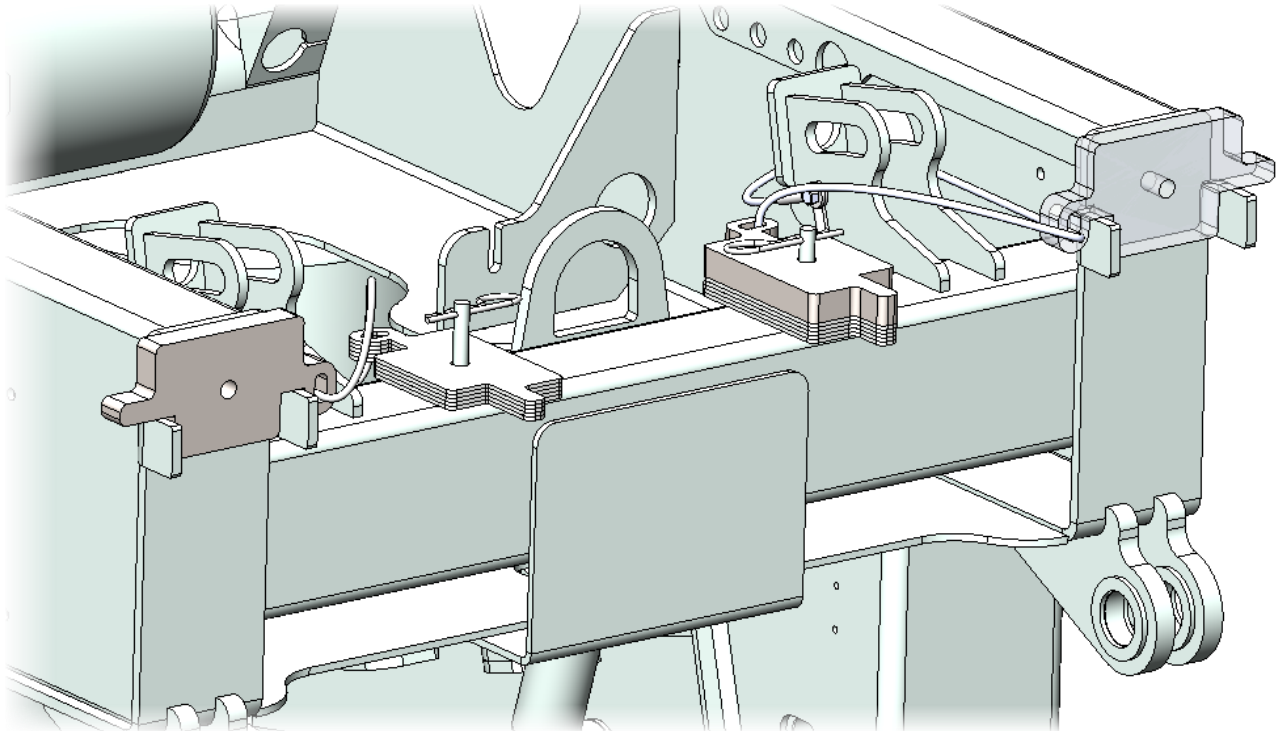


Below are instructions for adding the tethered shim kit for Pin on and Flip axles.

- Remove the existing shim kit shown below.

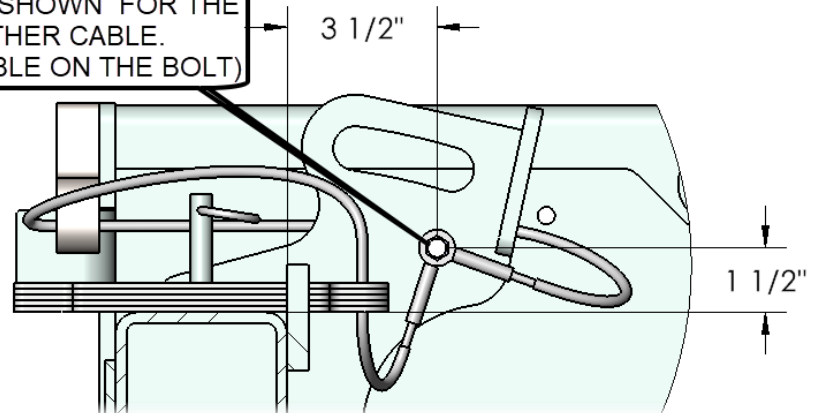


- Install new tethered shims as indicated on the next page.

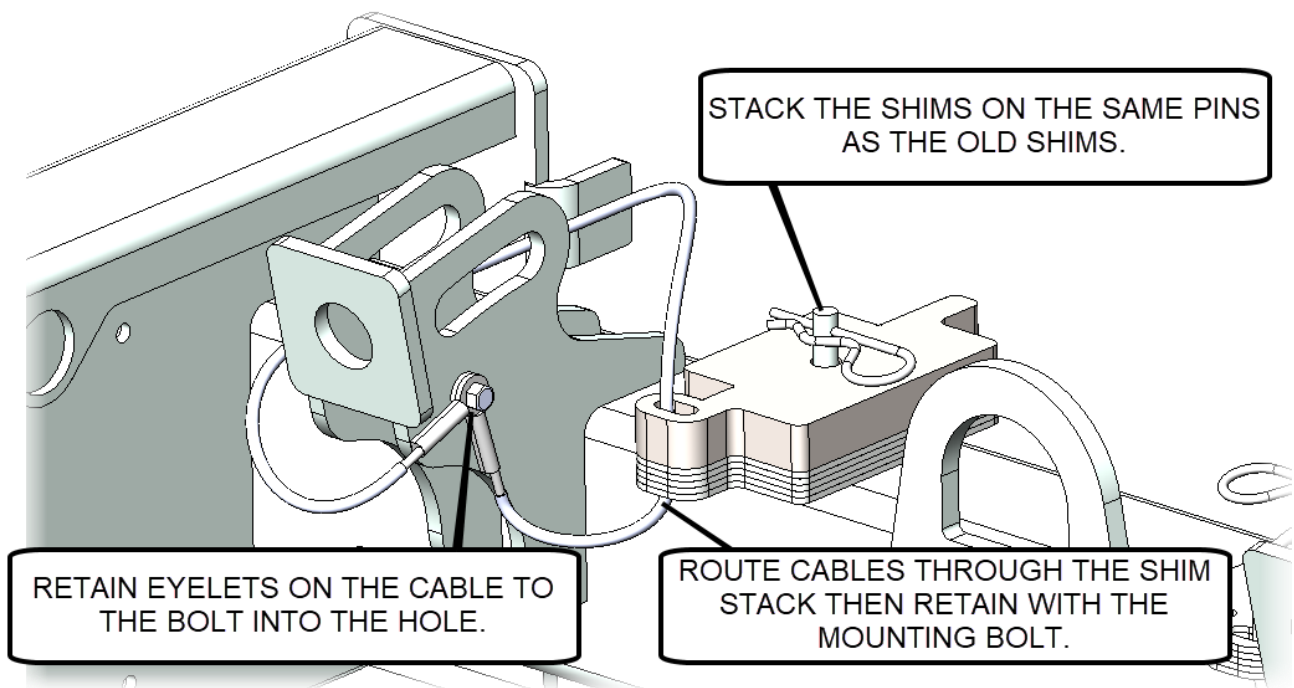


- Drill a hole as shown below to mount the bolt for the cable.

DRILL A 3/8" HOLE IN THE BRACKET SHOWN FOR THE MOUNTING BOLT FOR THE TETHER CABLE.  
(MOUNT BOTH EYELETS OF THE CABLE ON THE BOLT)



- Stack the shims on the previous pins.
- Route the cables through the shim stack.
- Retain with eyelets of the cable to the mounting bolt into the hole previous drilled.



- Repeat the above process on both sides of the unit.

