



PREVOST

**SAFETY
RECALL**

SR23-310A


DATE :	August 2023	SECTION :	18 BODY
SUBJECT:	SEAT RECLINE MECHANISM PIVOT BOLTS		

Revision: A

Title Change : flip-up now recline seat

08-29-2023

APPLICATION

<i>NOTICE TO SERVICE CENTERS</i>	
<i>Verify vehicle eligibility by checking warranty bulletin status with SAP or via ONLINE WARRANTY SYSTEM available on Service / Warranty tab of PreVost website.</i>	
Model	VIN 
X3-45 Commuter Model Year: 2021 & 2023	From 4RKJ33494M9 [REDACTED] up to 4RKJ33497M9 [REDACTED] incl. and From 4RKJ33495P9 [REDACTED] up to 4RKJ33499P9 [REDACTED] incl.
This Safety Recall does not necessarily apply to all the above-mentioned vehicles. Some vehicles may also have been modified before delivery. The owners of the vehicles affected by this recall will be advised by a letter indicating the Vehicle Identification Number (VIN) of each vehicle concerned.	

DESCRIPTION

the bolt securing the passenger seat recline mechanism could loosen and disengage. In this condition, the seat's reclining function is inoperative (inability to lock the seatback in the desired angle), and the seatback can move freely within its adjusting limits. It is to be noted that the concerned seats are equipped with occupant seat belts integrated in the seat back.

Therefore on the affected vehicles, thread locker must be added and the seat recline mechanism bolts must be adequately torqued.

The work will be entirely performed by authorized USSC technicians at the customer facilities

SAFETY PRECAUTIONS

- Eye protection should always be worn when working in a shop.
- Rules for Personal Protection Equipment should always be respected. Wear your PPE including but not limited to the following:



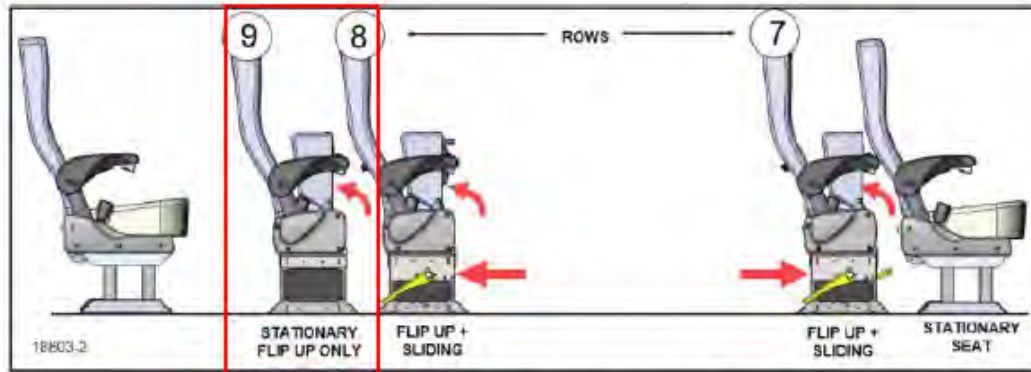
Safety First!



DANGER

Park vehicle safely, apply parking brake, stop the engine. Prior to working on the vehicle, set the ignition switch to the OFF position and trip the main circuit breakers equipped with a trip button. On Commuter type vehicles, set the battery master switch (master cut-out) to the OFF position.

Lockout & Tag out (LOTO) must be performed during set-up, maintenance or repair activities. Refer to your local procedure for detailed information regarding the control of hazardous energy.



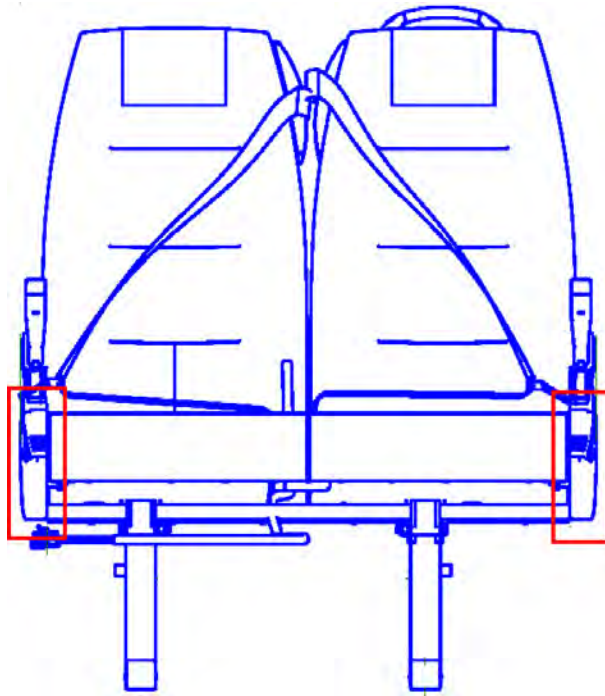
Only the stationary flip up seat (see seat #9) are concerned by this issue (distinct recline mechanism design).



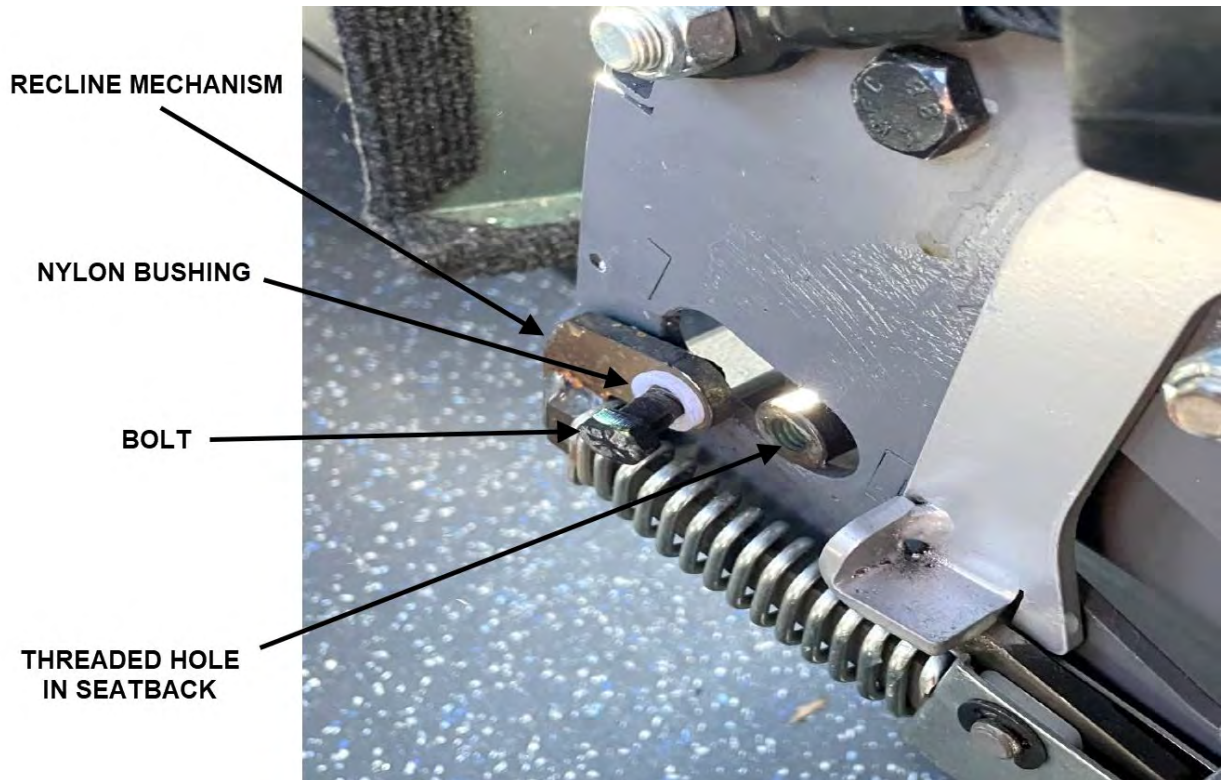
There are 4 potentially defective seats in each vehicle (stationary flip up seats – see seat #9 above).
Each seatback is secured with 1 bolt => 4 potentially concerned bolts per vehicle.

USSC SOLUTION : Add high-strength threadlocker (red) to flip-up pivot bolts.

- Remove the trim panel.
- Remove the pivot bolt.
- Add a good quality, high-strength thread-locking adhesive to the bolt threads.
- Reinstall the pivot bolt (tighten firmly).
- Reinstall the trim panel.
- Repeat for all seat bolts concerned.



Bolts on both sides are covered by trim panels



OTHER

VBC Bulletin	N/A
Fail Code	18.03-2
Defect Code	09
Syst.Cond	R
Causal Part	867942

Access all our Service Bulletins on
<http://techpub.prevostcar.com/en/>
or scan the QR-Code with your smart phone.
E-mail us at **technicalpublications_prev@volvo.com** and
type "ADD" in the subject to receive our warranty bulletins by e-
mail.





**Safety Recall
Certification Sheet
(Ref: 0BSR23-310A)**

VEHICLE SERIAL NUMBER:

PERFORMED BY		OWNER/OPERATOR	
We hereby certify that Safety Recall Instructions with regard to Safety Recall 0BSR23-310A have been performed.			
Name: _____		Name: _____	
Addr: _____		Addr: _____	
Phone: _____		Phone: _____	
Fax: _____		Fax: _____	
Signature : _____	_____	Signature : _____	_____
Date: _____	_____	Date: _____	_____

If the information mentioned above is incorrect or you are not the owner of this vehicle anymore, please fill this section and return to sender.

NEW OWNER: _____
BUSINESS: _____
ADDRESS (including County): _____

TELEPHONE: _____ **FAX:** _____

Please return this completed document with your A.F.A. form