

MAY 30, 2025

Version 4

Safety Recall: 2020-21 CR-V, CR-V Hybrid Seat Weight Sensor (DTC U3000-49)Supersedes 24-021, dated October 07, 2024, to revise the information highlighted in **yellow****APPLIES TO**

Year	Model	Trim Level	VIN Range
2020-21	CR-V	ALL	Check the iN-VIN status for eligibility.
2020-21	CR-V Hybrid	ALL	Check the iN-VIN status for eligibility.

REVISION SUMMARY

Under REPAIR PROCEDURE for Manual Seat, the torque value associated with the image in step 14 has been updated.

BACKGROUND

Affected vehicles may be equipped with seat weight sensors that are not built to proper specifications. Improperly built sensors could lead to cracking and/or a short circuit of the sensor, resulting in the illumination of the SRS warning light and the passenger airbag indicator remaining OFF. In certain collisions, these seat weight sensors may cause improper deployment of the front passenger airbags, increasing the risk of injury.

CUSTOMER NOTIFICATION

Owners of affected vehicles will be sent a notification of this safety recall.

Do an iN VIN status inquiry to verify eligibility.

Some vehicles affected by this campaign may be in your new or used vehicle inventory.

Failure to repair a vehicle subject to a recall or campaign may subject your dealership to claims or lawsuits from the customer or anyone else harmed as a result of such failure. To see if a vehicle in inventory is affected by this safety recall, do a VIN status inquiry before selling it.

CORRECTIVE ACTION

Replace the seat weight sensors.

CUSTOMER INFORMATION: The information in this bulletin is intended for use only by skilled technicians who have the proper tools, equipment, and training to correctly and safely maintain your vehicle. These procedures should not be attempted by “do-it-yourselfers,” and you should not assume this bulletin applies to your vehicle, or that your vehicle has the condition described. To determine whether this information applies, contact an authorized Honda automobile dealer.

WARRANTY CLAIM INFORMATION

For repairs on or after October 7, 2024, must use the warranty claim information in template IDs ending in D and E.

For inspection or repairs before October 7, 2024 go to page 3.

Operation Number	Description	Flat Rate Time	Defect Code	Symptom Code	Template ID	Failed Part Number
7491E4	Replace seat weight sensor - power seat (includes seat calibration & DTC clear)	0.8 hr	6XW00	KHO00	A24021D	81201-TBA-A61
7491E5	Replace seat weight sensor - manual seat (includes seat calibration & DTC clear)	0.8 hr	6XW00	KHO00	A24021E	81126-TLA-C01

Skill Level: Repair Technician

Seat Weight Sensor Kit Serial Number

Enter the Seat Weight Sensor Kit serial number from the Seat Weight Sensor Kit label into the Replacement Serial Number field of the Parts Information section of the warranty claim.

NOTE:

- The Seat Weight Sensor Kit label should be affixed to the repair order by the technician.
- The claim may reject if a valid serial number is not included.

Parts Information						
Failed Part No. •		<input type="text"/>	Failed Part Description •		<input type="text"/>	
Replacement Serial No.		<input type="text"/>				
Item	Replacement Part No. •	Quantity •	Unit Price	Unit Total	Description	
1	<input type="text"/>	<input type="text"/>	<input type="text"/>	<input type="text"/>	<input type="text"/>	Delete
2	<input type="text"/>	<input type="text"/>	<input type="text"/>	<input type="text"/>	<input type="text"/>	Delete
3	<input type="text"/>	<input type="text"/>	<input type="text"/>	<input type="text"/>	<input type="text"/>	Delete
4	<input type="text"/>	<input type="text"/>	<input type="text"/>	<input type="text"/>	<input type="text"/>	Delete
5	<input type="text"/>	<input type="text"/>	<input type="text"/>	<input type="text"/>	<input type="text"/>	Delete
<input type="button" value="More >"/>						
Materials Information						

For repairs **before October 7, 2024**, must use the warranty claim information in template IDs ending in A, B and C.

NOTE: If the INSPECTION PROCEDURE determines this Service Bulletin does not apply, use template C to submit a warranty claim for the inspection.

Operation Number	Description	Flat Rate Time	Defect Code	Symptom Code	Template ID	Failed Part Number
7491E3	Replace power seat slide (includes inspect and DTC check)	1.3 hr	6XW00	KHO00	A24021A	81201-TBA-A61
8521K5	Replace manual seat frame (includes inspect and DTC clear)	1.5 hr	6XW00	KHO00	A24021B	81126-TLA-C01
7495A1	For stored DTCs other than DTC U3000-49 and/or inspection determines this Service Bulletin does not apply.	0.3 hr	6XZ00	KIT00	A24021C	81136-T20-A61

Skill Level: Repair Technician

PARTS INFORMATION

Seat Weight Sensor Kit, P/N: 04945-TBA-A00 has been allocated to dealers in limited quantities. Honda will continue to allocate kits on a weekly basis. Refer to the Parts Information Bulletin 24-0020, *Multi-Model Seat-Weight Sensor Safety Recall Parts Availability*, for details regarding parts availability and ordering.

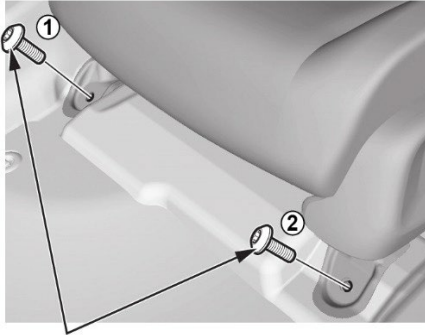
TOOL INFORMATION

NOTE: Tools will be made available and auto-shipped to all dealers at a later date.

Tool Name	Part Number	Quantity
Snap-on Torque Wrench	07AAA-TVAA400	1
Head, Box End (12mm)	07AAA-TVAA100	1
Head, Box End (14mm)	07AAA-TVAA200	1
Head, Box End (16mm)	07AAA-TG7A300	1
Fixture, SWS Guide A	07AAG-TVAA100	1

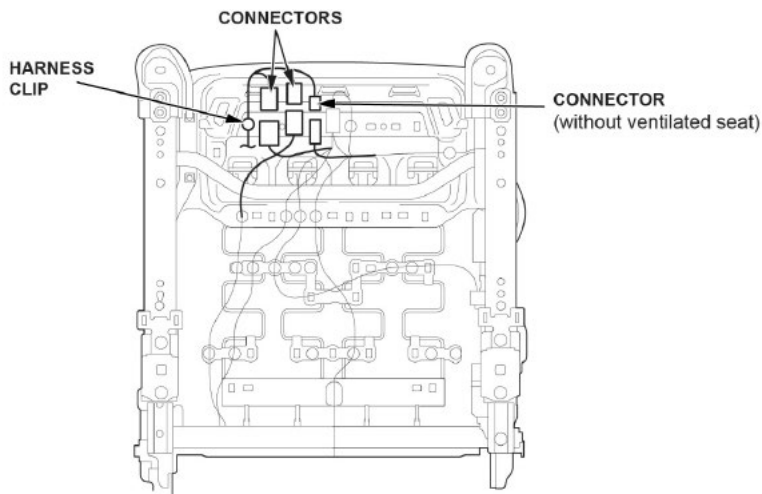
5. Slide the seat back and remove the front mounting bolts.

FRONT SIDE

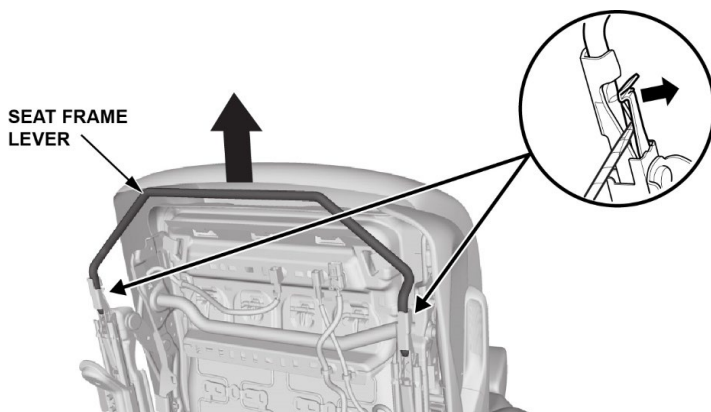


BOLTS
43 N.m
(32 lb-ft)

6. Disconnect the negative terminal of the 12-volt battery.
- CR-V ([Click Here](#))
 - CR-V Hybrid ([Click Here](#))
7. Tilt the front seat back, disconnect the connectors and detach the harness clip.



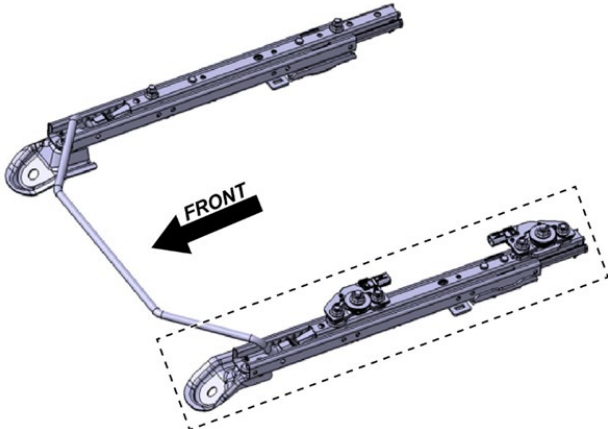
8. With the help of an assistant, carefully remove the passenger seat from the vehicle and place it on a clean, flat surface.
9. Remove the seat frame lever.



10. Mark the inner seat rail and seat frame for reference.

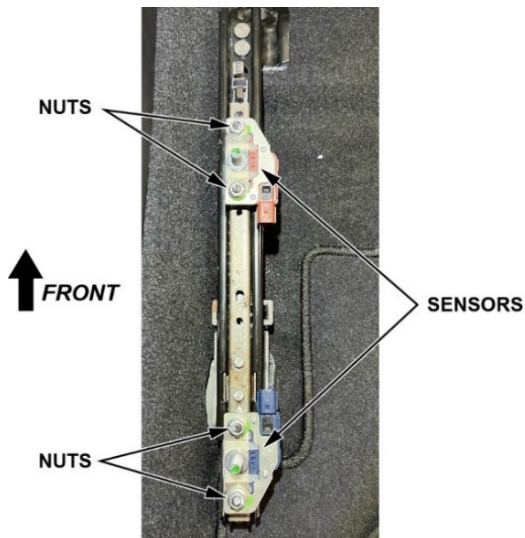


11. Remove the 2 nuts and 2 spacers that secure the inner seat rail to the seat. Save the colored bushing and collars to be reused. Discard the nuts and spacers.



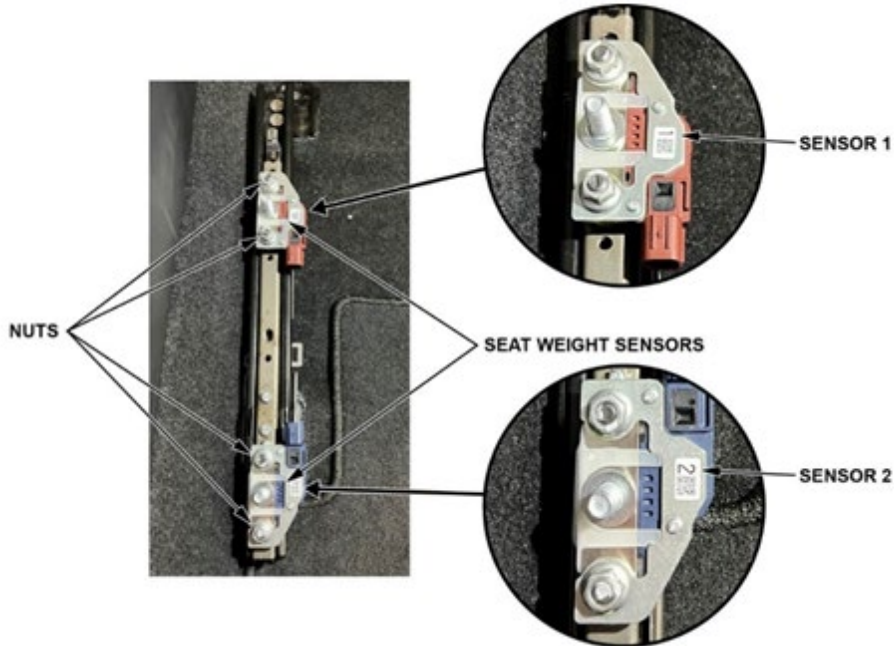
12. Install the inner seat rail into the vehicle using the seat rail mounting bolts. Tighten the bolts by hand first, then torque the bolts to the specified torque **43 N·m (32 lb-ft)**.

Remove the 4 nuts and the 2 seat weight sensors. Discard the nuts and sensors.



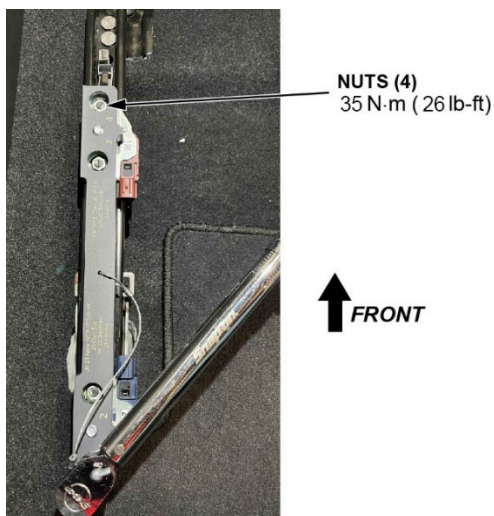
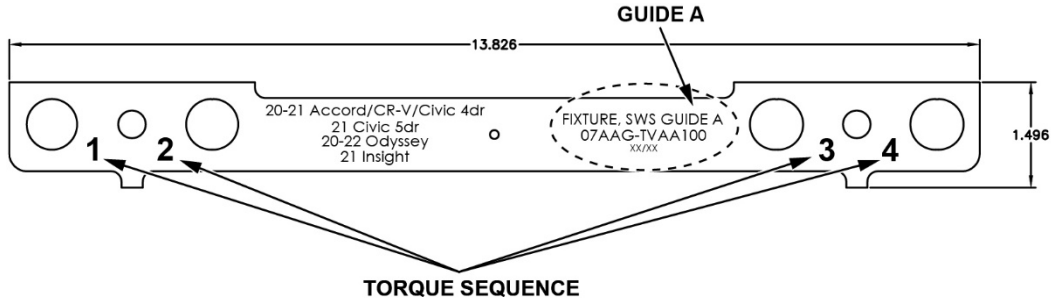
13. Loosely install the new sensors using new sensor nuts in the orientation shown.

NOTE: The new sensors have a number to install in the correct location.



14. Place the **SWS Fixture Guide A** onto the new seat weight sensors with the tabs located to the inside of the seat rail. With the guide properly seated on the sensors, **torque the nuts to 35 N·m (26 lb-ft)** in the order shown on the **SWS Fixture Guide**.

NOTE: Use the socket provided with the guide.

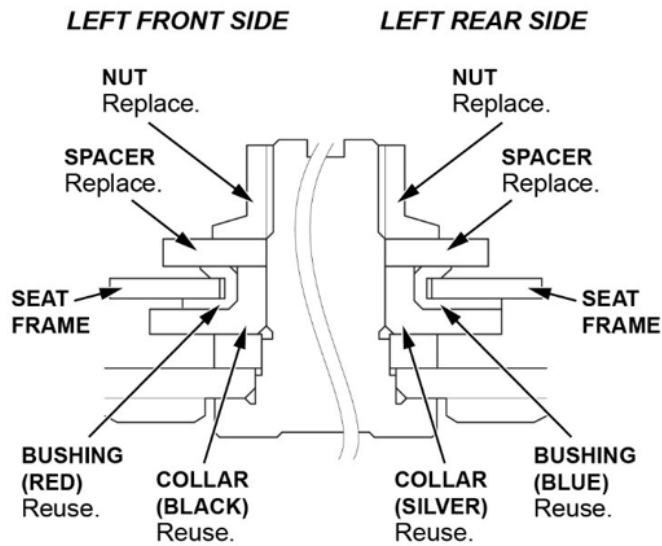


15. Remove the inner seat rail from the vehicle.

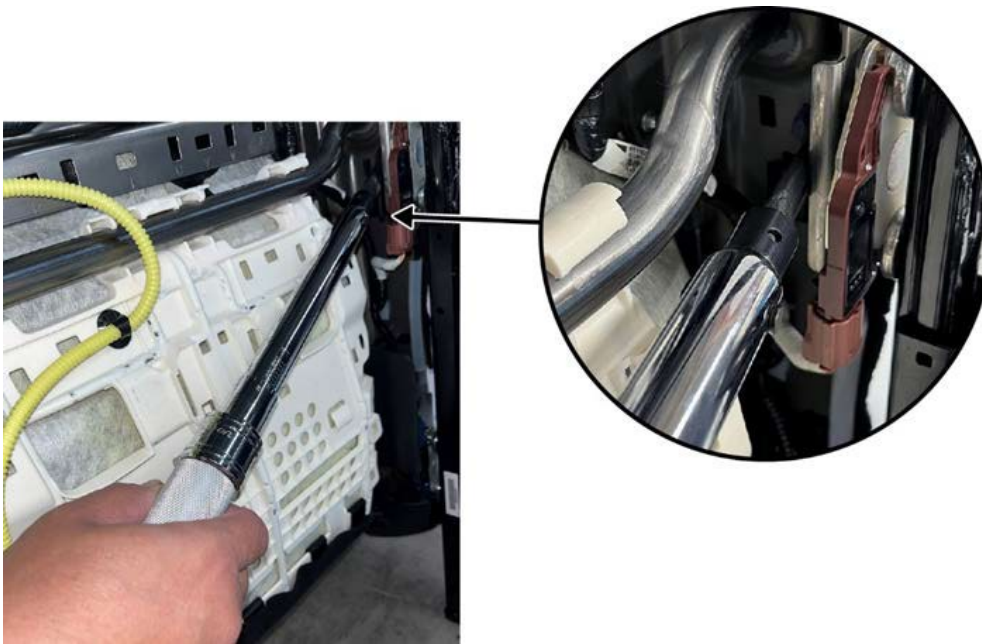
16. Reinstall the seat rail to the seat using new mounting nuts and spacers. Reuse the colored bushings and collars.

NOTE:

- Use the reference marks to align the seat rail and seat frame.
- The bushings and collars can be identified by their color.
- Make sure to install the bushing and collars as shown.



17. Use the Snap-On Torque Wrench (07AAA-TVAA400) and box-end head and torque the nuts to the specified torque **55 N·m (41 lb-ft)**.



18. Reinstall the seat frame lever.

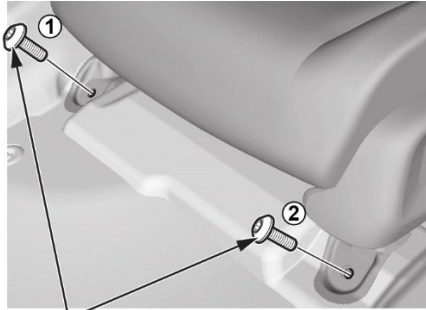
19. With the help of an assistant reinstall the seat in the vehicle.

20. Reconnect the seat connectors and secure the harness clip.

21. Install the seat rail mounting bolts to the passenger seat, tighten the bolts by hand first.

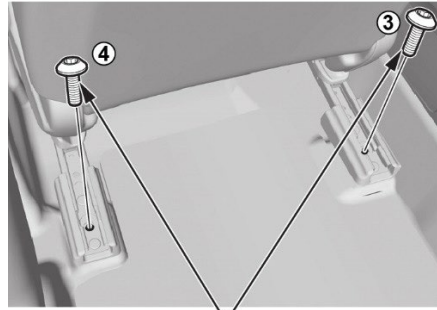
NOTE: Torque the bolts to the specified torque **43 N·m (32 lb-ft)** in the numbered sequence shown.

FRONT SIDE



BOLTS
43 N·m
(32 lb-ft)

REAR SIDE



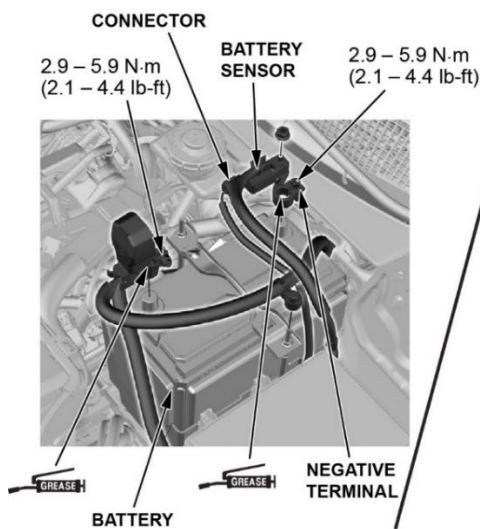
BOLTS
43 N·m
(32 lb-ft)

22. Connect the negative cable and the 12-volt battery sensor to the 12-volt battery.

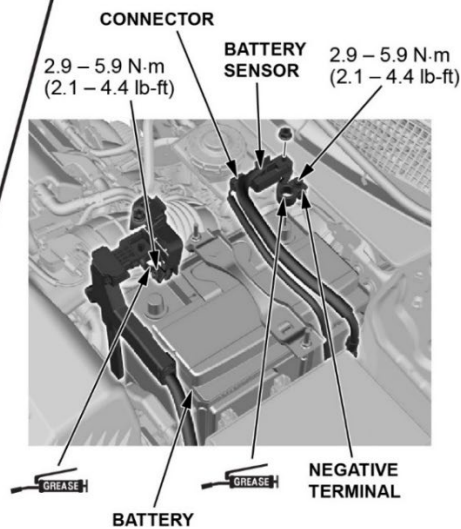
- CR-V ([Click Here](#))
- CR-V Hybrid ([Click here](#))

NOTE: To protect the 12-volt battery sensor connector from damage, do not hold it when installing the negative terminal.

TYPE A



TYPE B



23. Do the seat weight sensor initialization.

- CR-V ([Click Here](#))
- CR-V Hybrid ([Click Here](#))

24. Do the front weight sensor operation check.

- CR-V ([Click Here](#))
- CR-V Hybrid ([Click Here](#))

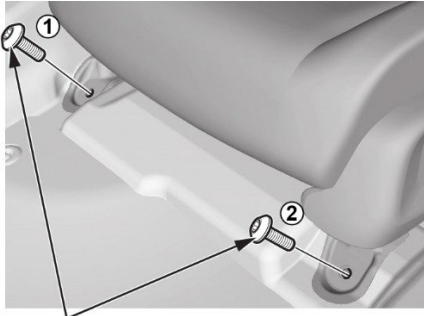
25. Confirm SRS Operation: Turn the vehicle to the ON mode, check that the SRS indicator comes on for about **6 seconds** and then goes off.

26. Do the steering neutral position learn procedure using the method with the HDS.

- CR-V ([Click Here](#))
- CR-V Hybrid ([Click Here](#))

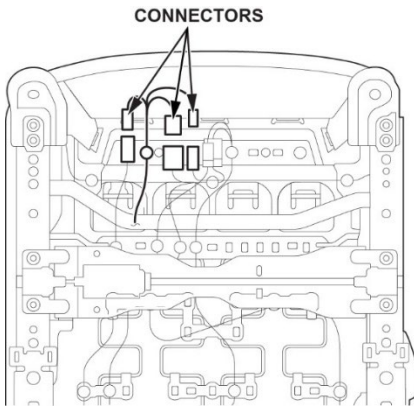
5. Slide the seat back and remove the front mounting bolts.

FRONT SIDE

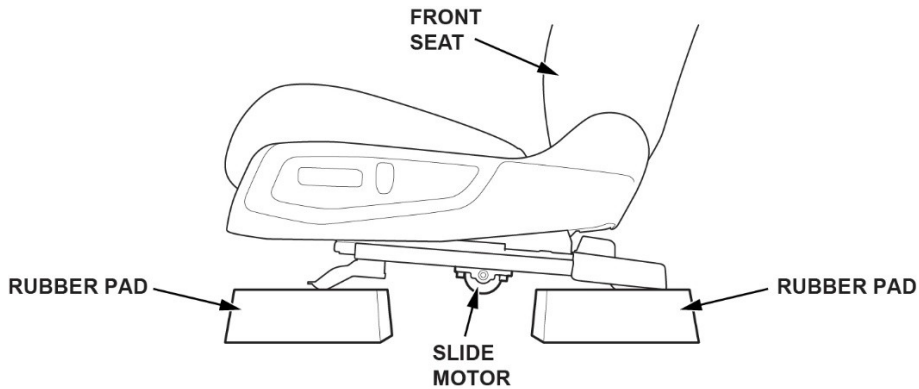


BOLTS
43 N.m
(32 lb-ft)

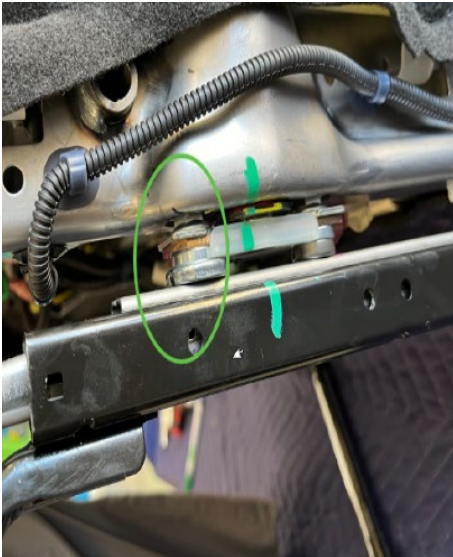
6. Disconnect the negative terminal of the 12-volt battery.
- CR-V ([Click Here](#))
 - CR-V Hybrid ([Click Here](#))
7. Lift up the front seat, disconnect the connectors and detach the harness clip.



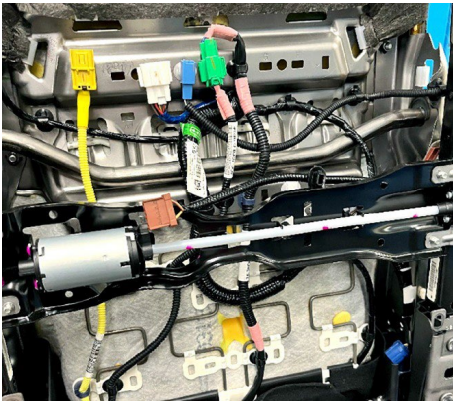
8. With the help of an assistant, carefully remove the passenger seat from the vehicle and place it on a clean, flat surface.
- NOTE:** Use the rubber pads to support the front seat, take care not to damage the slide motor.



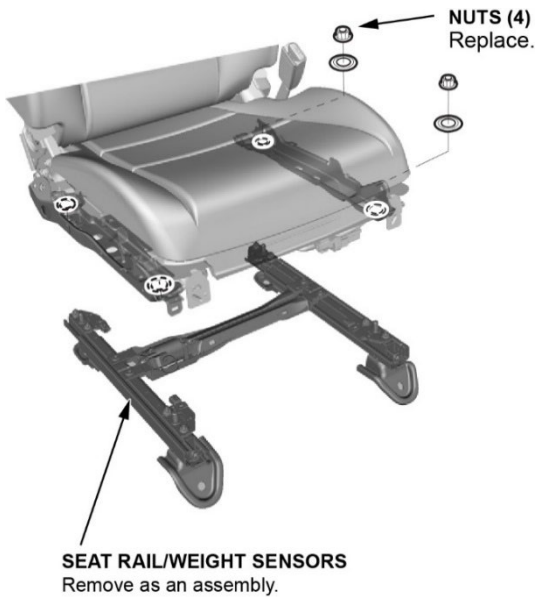
9. Mark the inner seat rail and seat frame for reference.



10. Take a photo of the harness arrangement underneath the seat for reference, before disconnecting any of the remaining connectors or harness clips.

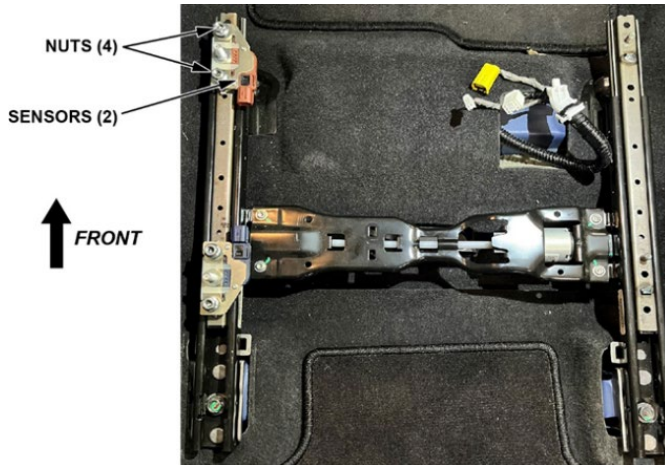


11. Remove the 4 nuts and spacers attaching the seat rail assembly to the seat frame. Remove the seat rail as an assembly. Discard the nuts and spacers.



12. Reinstall the seat rail assembly in the vehicle using the seat rail mounting bolts. Tighten the bolts by hand first, then torque the bolts to **43 N·m (32 lb-ft)**.

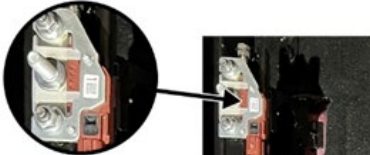
Remove the 4 sensor nuts and 2 seat weight sensors. Discard the nuts and sensors.



13. Loosely install the new sensors using new sensor nuts in the orientation shown.

NOTE: The new sensors have a number to install in the correct location.

**SENSOR POSITION 1
LEFT FRONT**



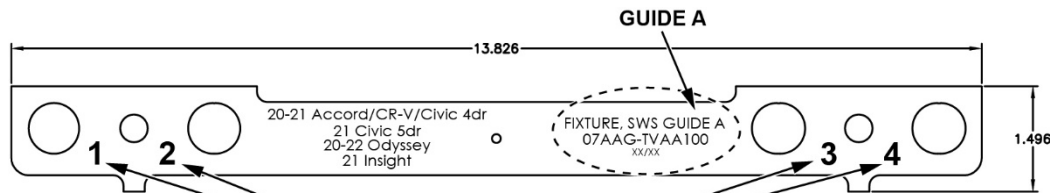
FRONT

**SENSOR POSITION 2
LEFT REAR**

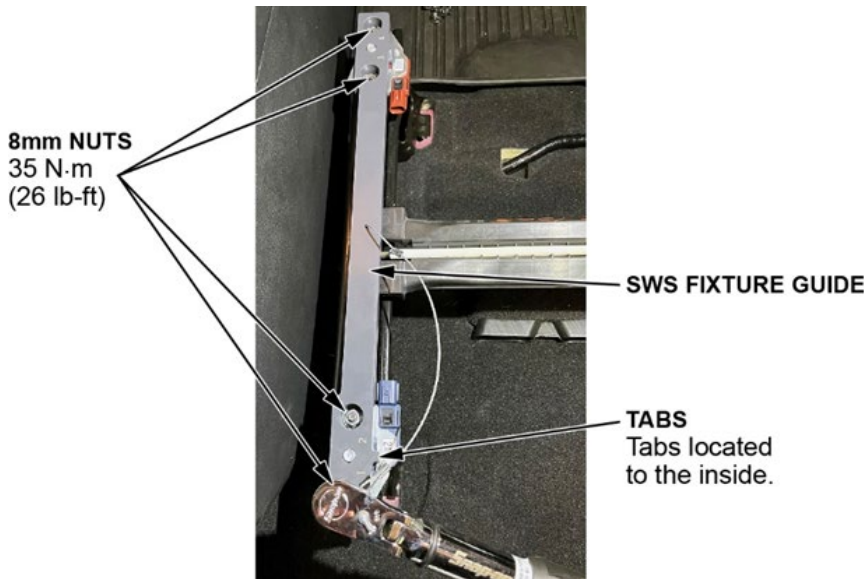


14. Place the **SWS Fixture Guide A** onto the new seat weight sensors with the tabs located to the inside of the seat track. With the guide properly seated on the sensors, **torque the nuts to 35 N·m (26 lb-ft) in the order shown on the SWS Fixture Guide**.

NOTE: Use the socket provided with the guide.



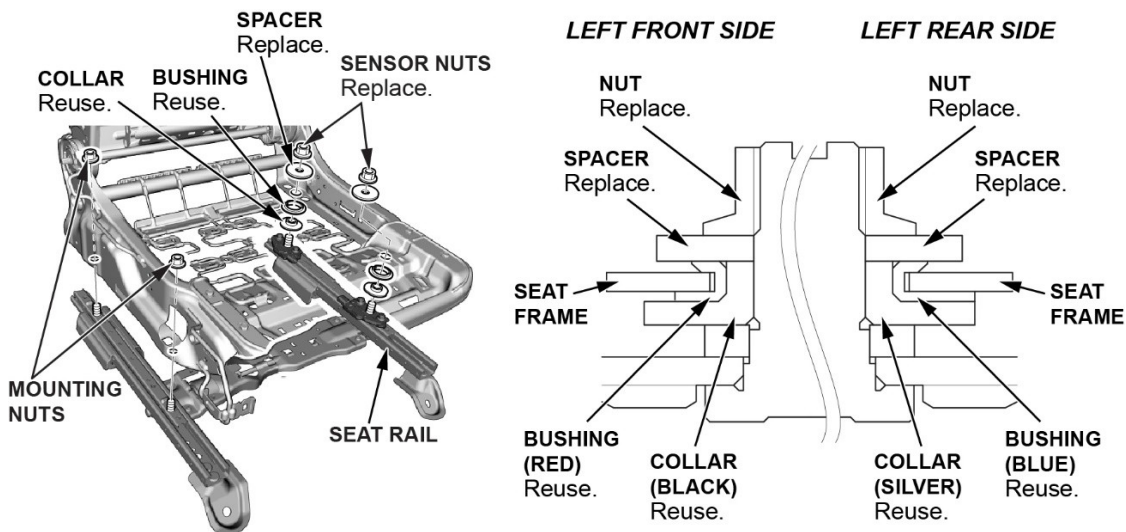
TORQUE SEQUENCE



15. Remove the seat rail assembly from the vehicle.
 16. Reinstall the seat rail assembly to the seat frame using new mounting nuts and spacers. Reuse the colored bushings and collars.

NOTE:

- Use the reference marks to align the seat rail and seat frame.
- The bushings and collars can be identified by their color.
- Make sure to install the bushing and collars as shown.



17. Use the Snap-On Torque Wrench (07AAA-TVAA400) and box-end head and torque the nuts to the specified torque **55 N·m (41 lb-ft)**.



18. Reinstall all of the remaining parts removed in the reverse order of removal.
19. With the help of an assistant, reinstall the seat in the vehicle.
20. Reconnect the seat connectors and secure the harness clips.
21. Install the seat rail mounting bolts to the passenger seat, tighten the bolts by hand first.

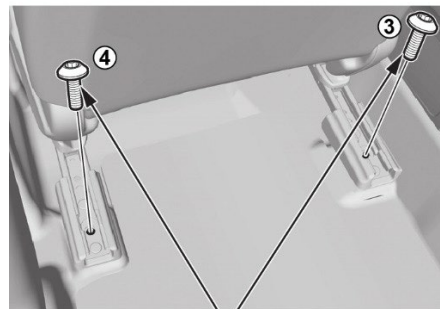
NOTE: Torque the bolts to the specified torque **43 N·m (32 lb-ft)**, and in the numbered sequence shown.

FRONT SIDE



BOLTS
43 N·m
(32 lb-ft)

REAR SIDE

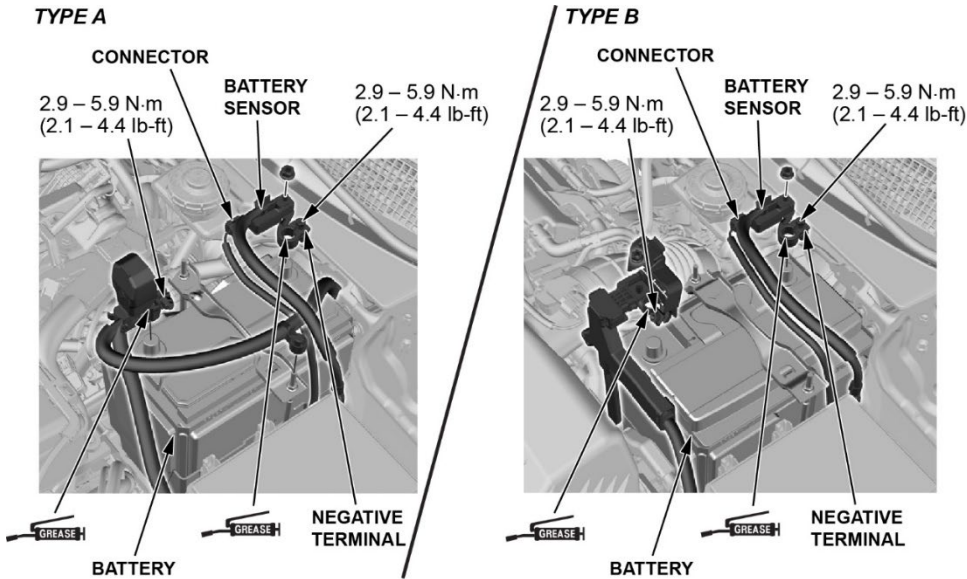


BOLTS
43 N·m
(32 lb-ft)

22. Connect the negative cable and the 12-volt battery sensor to the 12-volt battery.

- CR-V ([Click Here](#))
- CR-V Hybrid ([Click Here](#))

NOTE: To protect the 12-volt battery sensor connector from damage, do not hold it when installing the negative terminal.



23. Do the seat weight sensor initialization.

- CR-V ([Click Here](#))
- CR-V Hybrid ([Click Here](#))

24. Do the front weight sensor operation check.

- CR-V ([Click Here](#))
- CR-V Hybrid ([Click Here](#))

25. Confirm SRS Operation: Turn the vehicle to the ON mode, check that the SRS indicator comes on for about **6 seconds** and then goes off.

26. Do the steering neutral position learn procedure using the method with the HDS.

- CR-V ([Click Here](#))
- CR-V Hybrid ([Click Here](#))