



VOLUNTARY RECALL CAMPAIGN

Classification: ST23-005	Reference: NTB23-087	Date: December 21, 2023
-----------------------------	-------------------------	----------------------------

VOLUNTARY SAFETY RECALL CAMPAIGN 2024 ALTIMA; STEERING GEAR

CAMPAIGN ID #: PC997
APPLIED VEHICLES: 2024 Altima (L34)

**Check Service COMM or Dealer Business Systems (DBS)
National Service History to confirm campaign eligibility.**

INTRODUCTION

Nissan is conducting this voluntary safety recall campaign, on certain specific model year 2024 Altima vehicles, to replace the Steering Gear. This service will be performed at no charge to the customer for parts or labor.

IDENTIFICATION NUMBER

Nissan has assigned identification number PC997 to this campaign. This number must appear on all communication and documentation of any nature dealing with this campaign.

DEALER RESPONSIBILITY

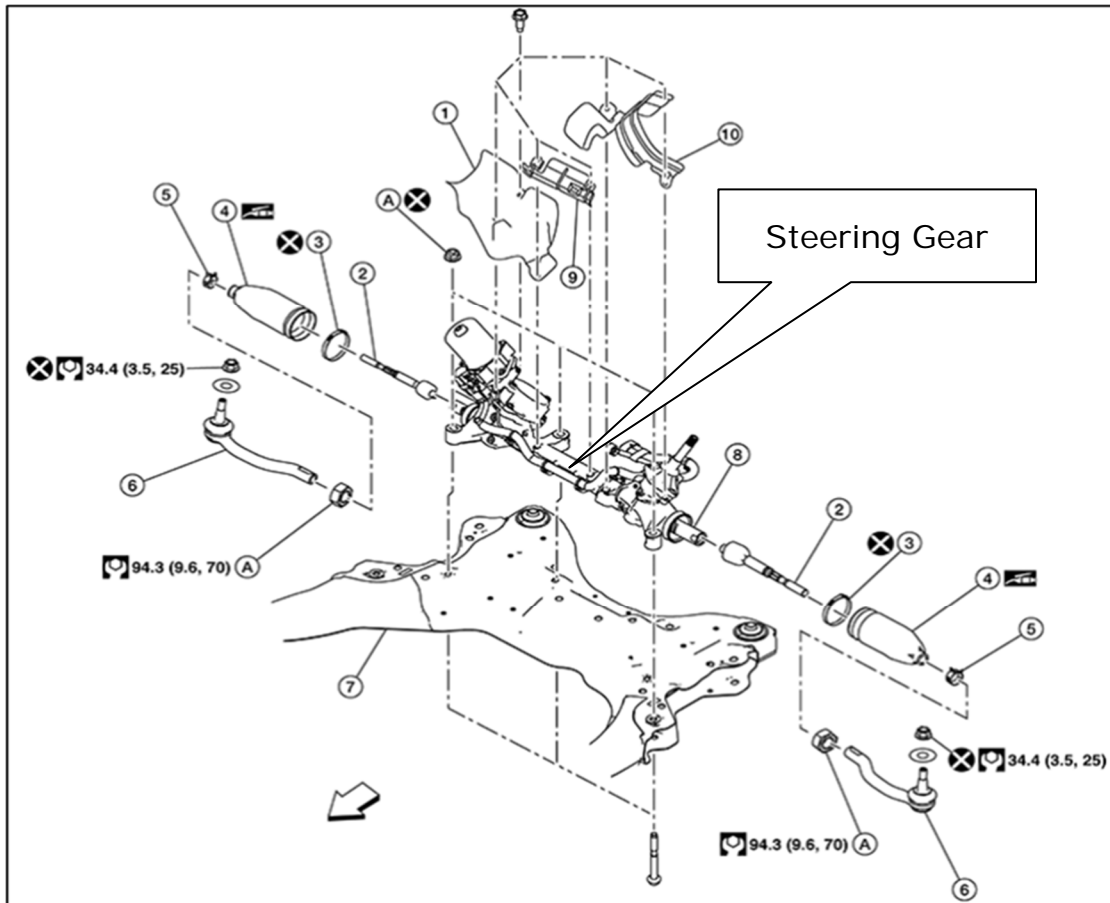
It is the dealer's responsibility to check Service COMM or Dealer Business Systems (DBS) National Service History for the campaign status on each vehicle falling within the range of this voluntary safety recall which for any reason enters the service department. This includes vehicles purchased from private parties or presented by transient (tourist) owners and vehicles in a dealer's inventory. **Federal law requires that new vehicles in dealer inventory which are the subject of a safety recall must be corrected prior to sale. Failure to do so can result in civil penalties by the National Highway Traffic Safety Administration.** While federal law applies only to new vehicles, Nissan strongly encourages dealers to correct any used vehicles in their inventory before they are retailed.

Bulletins are intended for use by qualified technicians, not 'do-it-yourselfers'. Qualified technicians are properly trained individuals who have the equipment, tools, safety instruction, and know-how to do a job properly and safely. **NOTE:** If you believe that a described condition may apply to a particular vehicle, DO NOT assume that it does. See your Nissan dealer to determine if this applies to your vehicle.

SERVICE PROCEDURE

1. Replace the Steering Gear.

- Refer to the Electronic Service Manual (ESM): **STEERING > STEERING SYSTEM > REMOVAL AND INSTALLATION > STEERING GEAR AND LINKAGE > Removal and Installation**



1.	Heat shield 1	2.	Inner socket	3.	Large boot clamp
4.	Boot	5.	Small boot clamp	6.	Outer socket
7.	Suspension member	8.	Steering gear	9.	Heat shield 2
10.	Heat shield 3				

Figure 1

⚠ WARNING

To avoid risk of injury or death from an airbag not deploying due to a broken spiral cable, secure the steering wheel during the repair.

The following one-time use nuts **MUST** be replaced and torqued to the ESM specification listed below:

- Steering Gear Nuts – 145 N•m (15 kg-m, **107 ft-lb**)
- Stabilizer Bar Connecting Rod Nut – 84 N•m (8.6 kg-m, **62 ft-lb**)
- Outer Socket Nut – 34.4 N•m (3.5 kg-m, **25 ft-lb**)
- Lower Ball Joint Nut – 97.5 N•m (9.9 kg-m, **72 ft-lb**)

- Wheel nut torque: 113 N•m (12 kg-m, **83 ft-lb**)

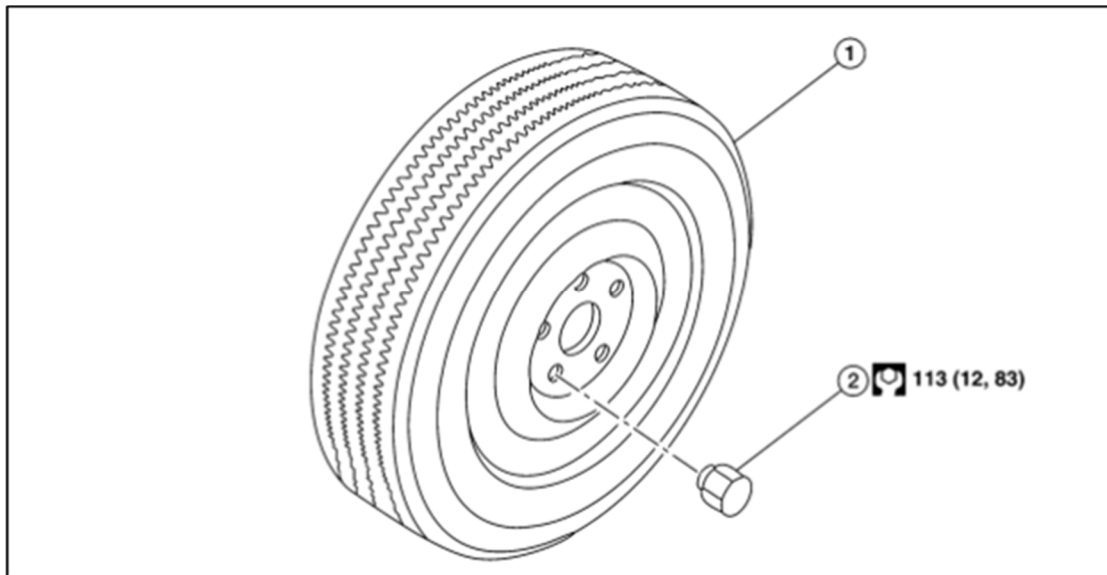


Figure 2

2. Perform "ADDITIONAL SERVICE WHEN REPLACING EPS CONTROL UNIT".
 - Refer to the ESM: **STEERING > STEERING CONTROL SYSTEM > BASIC INSPECTION > ELECTRONICALLY CONTROLLED POWER STEERING SYSTEM > ADDITIONAL SERVICE WHEN REPLACING EPS CONTROL UNIT > Work Procedure**
3. If equipped with Pro-PILOT Assist, perform "STEERING TORQUE CALIBRATION".
 - Refer to the ESM: **CRUISE CONTROL & DRIVER ASSISTANCE > DRIVER ASSISTANCE SYSTEM > DRIVER ASSISTANCE SYSTEM > BASIC INSPECTION > STEERING COLUMN > STEERING TORQUE CALIBRATION > Work Procedure**
4. Perform wheel alignment.
 - Refer to the ESM: **SUSPENSION > FRONT SUSPENSION > PERIODIC MAINTENANCE > WHEEL ALIGNMENT > Adjustment**
5. Adjust neutral position of the steering angle sensor.
 - Refer to the ESM: **BRAKES > BRAKE CONTROL SYSTEM > VDC/TCS/ABS > BASIC INSPECTION > BRAKE CONTROL SYSTEM > ADJUSTMENT OF STEERING ANGLE SENSOR NEUTRAL POSITION > Work Procedure**

PARTS INFORMATION

DESCRIPTION	PART NUMBER	QUANTITY
GEAR & LINKAGE ASSY - POWER STEERING	49001-6CA5A	1
NUT	54588-JA060	3
NUT - HEX	08912-4421A	2
NUT	01225-N2011	2

CLAIMS INFORMATION

Submit a "CM" line claim using the following claims coding:

CAMPAIGN ("CM") ID	DESCRIPTION	OP CODE	FRT
PC997	Replace Steering Gear Assembly (Power Rack & Pinion)	PC9970	2.7

AMENDMENT HISTORY

PUBLISHED DATE	REFERENCE	DESCRIPTION
December 21, 2023	NTB23-087	Original bulletin published

