

March 27, 2024

Version 2

Safety Recall: 2014–20 MDX and 2018–20 MDX Sport Hybrid Fuel Pump Motor

Supersedes 24-006 dated January 17, 2024, to revise the information highlighted in **yellow**.

AFFECTED VEHICLES

Year	Model	Trim Level	VIN Range
2014–20	MDX	ALL	Check the iN VIN status for eligibility.
2018–20	MDX Sport Hybrid	ALL	Check the iN VIN status for eligibility.

REVISION SUMMARY

- Under AFFECTED VEHICLES, the model years were expanded.
- Under BACKGROUND, the language was revised.

BACKGROUND

A certain number of 2014–20 MDX units may have been built with a fuel pump motor or may have been repaired with a fuel pump assembly service part with defective impellers.

Due to swelling of the fuel pump motor impeller, the fuel pump may seize and stop working. A defective impeller may cause the fuel pump to become inoperative, which could prevent an engine from functioning as intended. This limitation may cause a loss of motive power or a stall while being driven, increasing the risk of a crash or injury, creating a safety hazard.

If this bulletin appears during an iN VIN status inquiry, the vehicle is subject to a **safety recall**. Any affected vehicles in your dealer inventory are on **STOP SALE** until further notice. Refrain from calling Tech Line for updates.

CLIENT INFORMATION: The information in this bulletin is intended for use only by skilled technicians who have the proper tools, equipment, and training to correctly and safely maintain your vehicle. These procedures should not be attempted by “do-it-yourselfers,” and you should not assume this bulletin applies to your vehicle, or that your vehicle has the condition described. To determine whether this information applies, contact an authorized Acura automobile dealer.

CLIENT NOTIFICATION

Owners of the affected vehicles will be sent a notification of this campaign. They will be informed that due to a limited supply of parts (at this time) Acura is **prioritizing** the repair of customer vehicles experiencing symptoms related to this recall.

When **adequate replacement parts** become available, Acura will send a follow-up letter to clients instructing them to schedule an appointment for all the vehicles affected by this recall. If a client experiences the known symptoms associated with this **safety recall** (see CORRECTIVE ACTION), they are instructed to contact their local Acura dealer for the repair.

For any questions or concerns clients may have, you may have them contact Acura Client Support & Campaign Center at **1-888-234-2138**.

The following suggested text should be included on any repair order for an already sold affected vehicle that comes in for service. This information should be printed out completely any time service is conducted on an affected vehicle, and the recall repair has not yet been completed. Depending on parts availability, the normal procedures under DOM 7.2.1 will apply for this recall.

Suggested Verbiage to be Included on the Repair Order

Client was advised that:

The vehicle is subject to a recall affecting the fuel pump motor. The parts necessary to complete the recall repair are currently limited. Vehicles with eligible VINs and the following symptoms: difficulty starting, engine hesitation while driving, and/or an illuminated check engine light displayed with DTC P0087, are eligible for immediate repair. Once parts repair kits are available, if the vehicle has not been repaired, the registered owner of the vehicle will receive a notice to bring the vehicle in for a replacement of the components, regardless of symptom.

IMPORTANT NOTICE

Vehicles that are **both** shown as an eligible VIN and experiencing any of the following symptoms will be **prioritized** for repair: difficulty starting, engine hesitation while driving, and/or an illuminated check engine light displayed with DTC P0087 (Fuel Rail Pressure Too Low) stored.

CORRECTIVE ACTION

Replace the fuel pump motor.

NOTE: If the vehicle has any of the symptoms listed in BACKGROUND, you must apply this bulletin before attempting any other repairs. If the symptoms remain after the recall repair is complete, only attempt further repairs (such as replacing the high-pressure fuel pump) after authorized troubleshooting.

PARTS INFORMATION

- Due to a limited supply, parts will be allocated to your dealership **based on availability**.
- Prioritize repairing client vehicles that meet both the VIN status eligibility and exhibit a known symptom such as: difficulty starting, engine hesitation while driving, and/or an illuminated check engine light with DTC P0087 (Fuel Rail Pressure Too Low).

Part Name	Part Number	Quantity
Fuel Pump Motor Kit	06170-TZ5-305	1

For dealers experiencing a strong fuel smell from storing a fuel pump motor replaced under this service bulletin, the fuel pump motor may be disposed of immediately in accordance with local regulations. This only applies to the fuel pump motor replaced under this service bulletin. The published retention policy remains in effect for all other parts.

If you have any questions about this exception or other parts retention issues, contact the WPI Administrative Office at **937-642-2737**.

TOOL INFORMATION

Tool Name	Tool Number	Quantity
Fuel Pump Module Locknut Wrench	070AA-T0AA100	1

WARRANTY CLAIM INFORMATION

Operation Number	Description	Flat Rate Time	Defect Code	Symptom Code	Template ID	Failed Part Number
3101EH	MDX - Replace the fuel pump motor.	1.0 hr	6FE00	EGG00	B24006A	17045-TZ5-A10
	MDX Sport Hybrid - Replace the fuel pump motor.	1.2 hr			B24006B	

Skill Level: Repair Technician

REPAIR PROCEDURE

⚠ WARNING

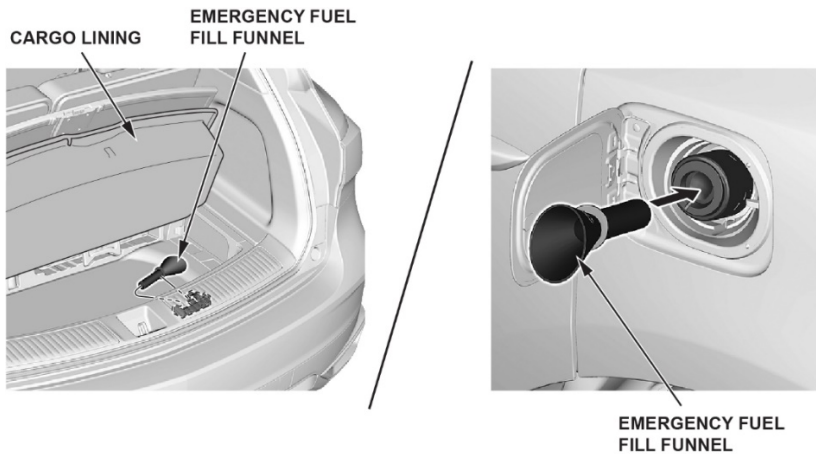
Fuel pump motor removal exposes fuel, which can ignite, causing a fire or explosion.

This can cause serious injury or death.

Always work in a well-ventilated area and keep sparks or open flames away.

1. *MDX*: Remove the fuel fill cap to relieve the pressure in the fuel tank.
2. *MDX Sport Hybrid*: Insert the emergency fuel fill funnel into the fuel filler neck to relieve the pressure in the fuel tank.

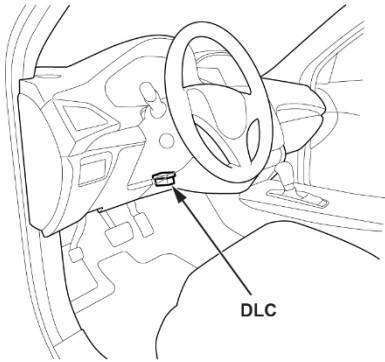
NOTE: The emergency fuel fill funnel is in the cargo area behind the cargo lining.



3. Relieve the fuel pressure.

With an i-HDS:

- Connect an i-HDS to the DLC located under the driver's side of the dashboard.

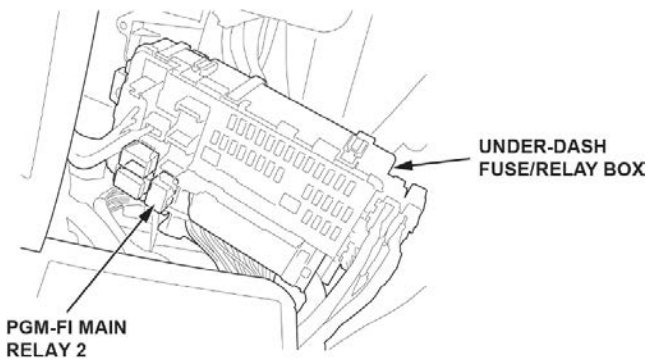


- Turn the vehicle to ON.
- Select the **PGM-FI** system on the i-HDS.
- Select **FUEL PUMP OFF** from the **Inspection menu**, then start the engine and let it idle until it stalls.

NOTE:

- Do not allow the engine to idle above 1,000 rpm or the PCM will continue to operate the fuel pump.
- A Pending or Confirmed DTC may be set during this procedure. After the repair is complete, check for DTCs, and clear them as needed.

Without an i-HDS: Remove the PGM-FI main relay 2 from the under-dash fuse/relay box.



4. *MDX Sport Hybrid:* Do the following within 60 seconds to start the engine in PGM-FI maintenance mode.

- Turn the vehicle to ON without stepping on the brake pedal.
- With the shift position in P, press the accelerator pedal to the floor twice.
- Press the brake pedal, shift the transmission to N, then press the accelerator pedal to the floor twice.
- Press the brake pedal, shift the transmission to P, then press the accelerator pedal to the floor twice. The vehicle is now in maintenance mode and **Maintenance Mode** will be displayed on the MID.

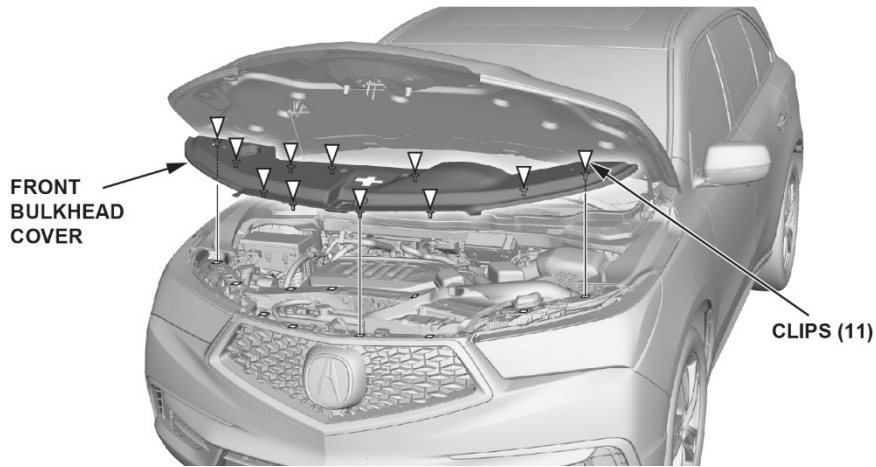
5. Start the engine, and let it idle until it stalls.

NOTE: If any DTCs are stored, clear and ignore them.

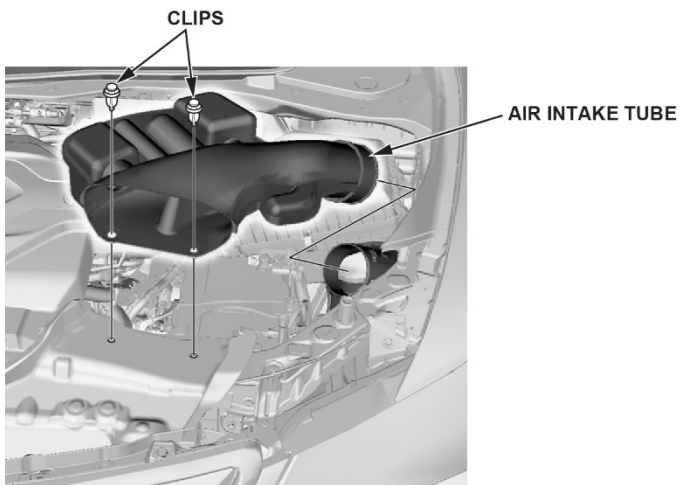
6. Turn the vehicle to OFF.

7. If the PGM-FI main relay 2 was removed in step 3, install it now.

8. Remove the front bulkhead cover.



9. Remove the air intake tube.



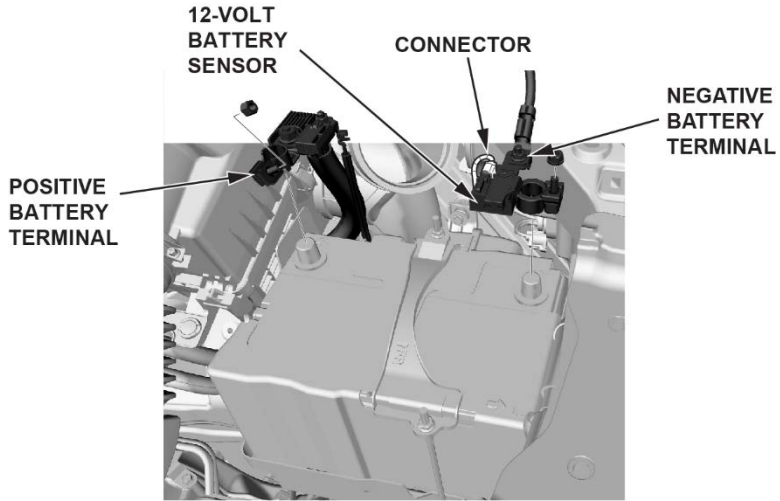
10. Disconnect both 12-volt battery terminals.

NOTICE

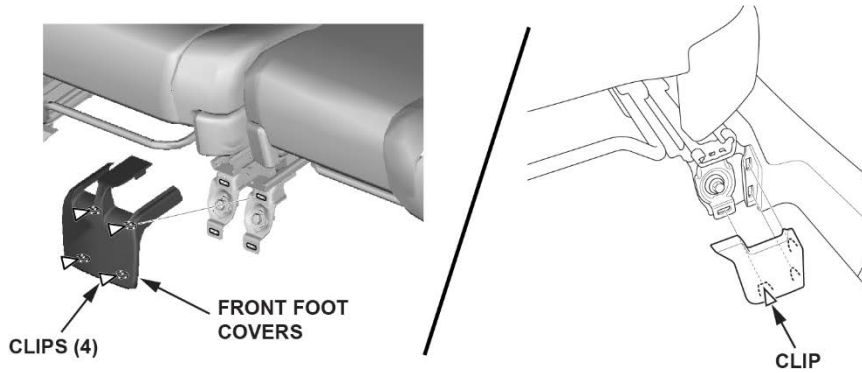
To protect the terminal connector from damage, do not hold it when removing the negative terminal.

NOTE:

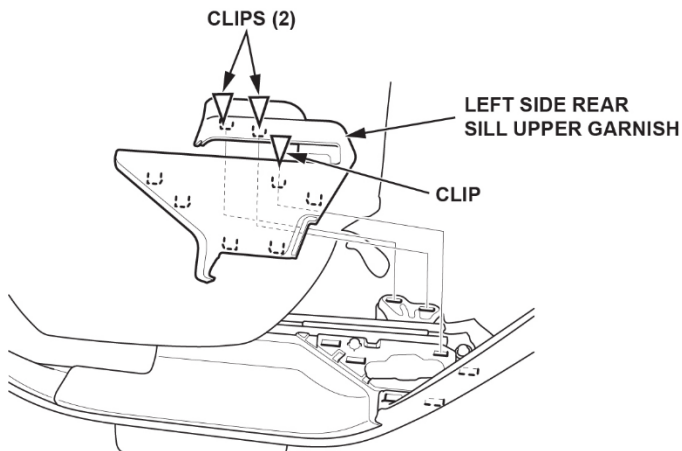
- Always disconnect the negative terminal first.
- Do not disconnect the 12-volt battery sensor from the cable.



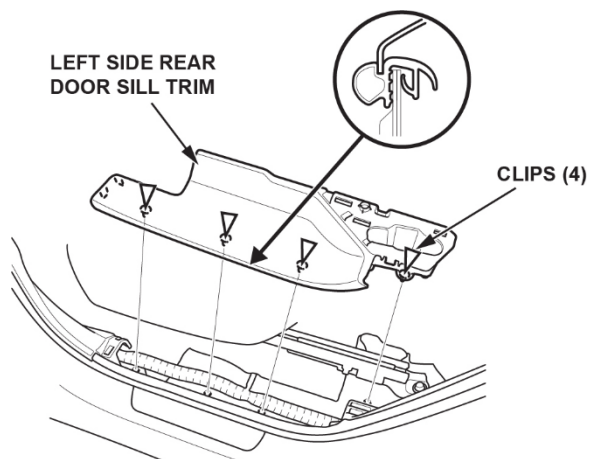
11. Remove the left side second row seat front foot covers.



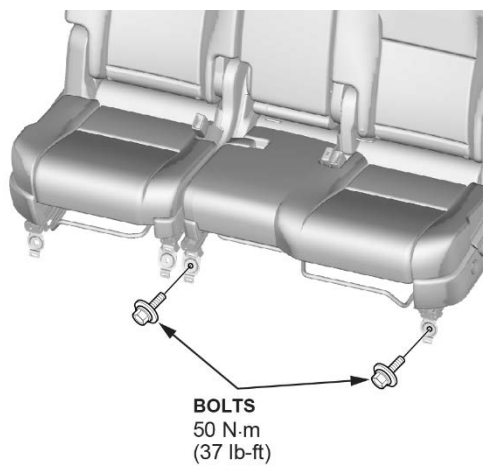
12. Remove the left side rear sill upper garnish.



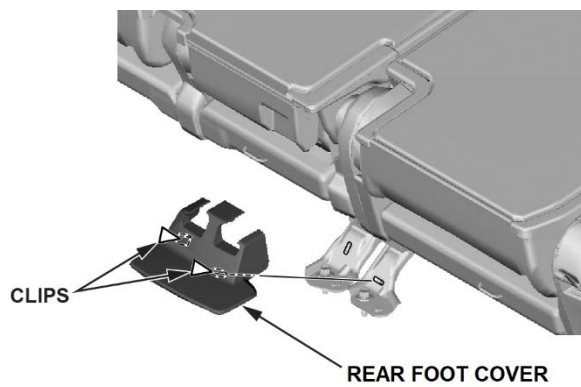
13. Remove the left side rear door sill trim.



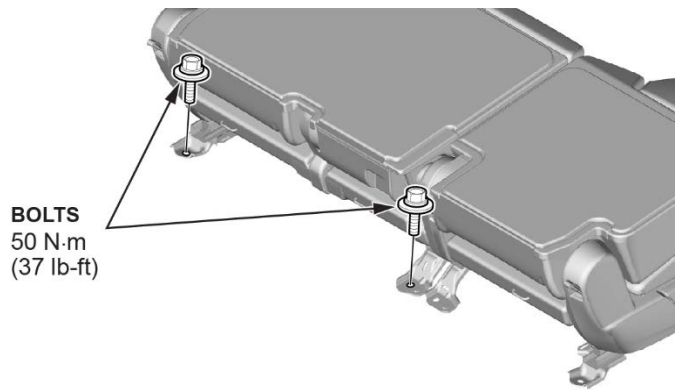
14. Remove the left side second row front seat bolts.



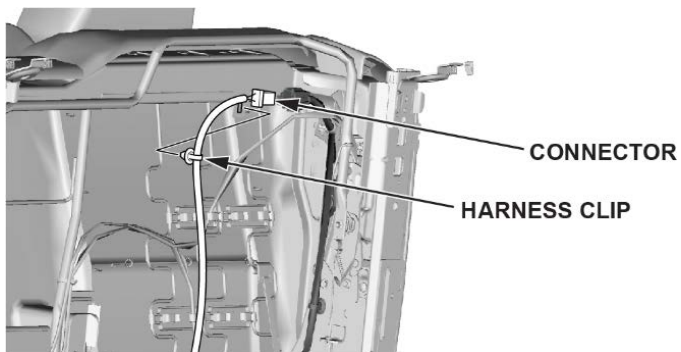
15. Remove the second row seat rear foot cover.



16. Remove the left side second row rear seat bolts.

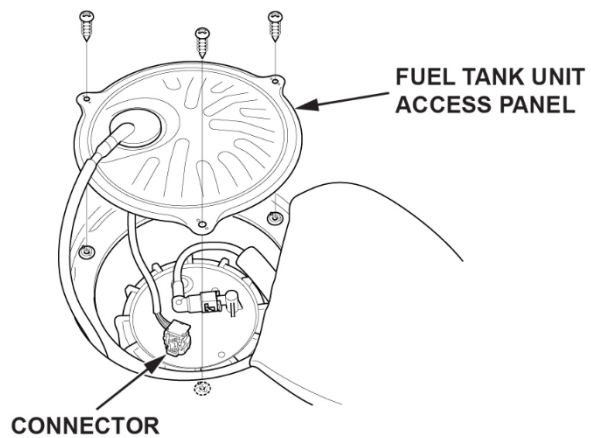


17. Lift up the left side second row seat, and then remove the harness clip and disconnect the connector.

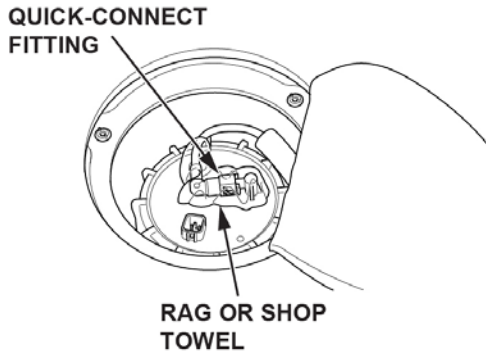


18. Remove the left side second row seat.

19. Remove the fuel tank unit access panel and disconnect the fuel tank unit connector.



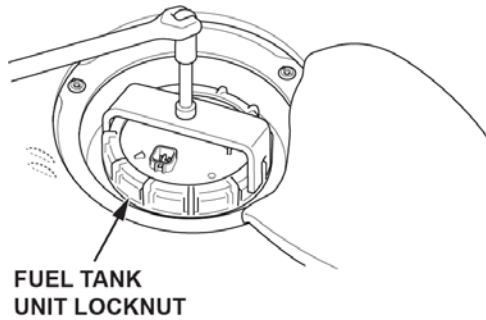
20. Place a rag or shop towel over the quick-connect fitting.



21. Disconnect the quick-connect fitting from the fuel tank unit.

22. Remove the fuel tank unit locknut using the fuel sender wrench (T/N 070AA-T0AA100) as shown.

NOTE: Keep the fuel sender wrench from floating.

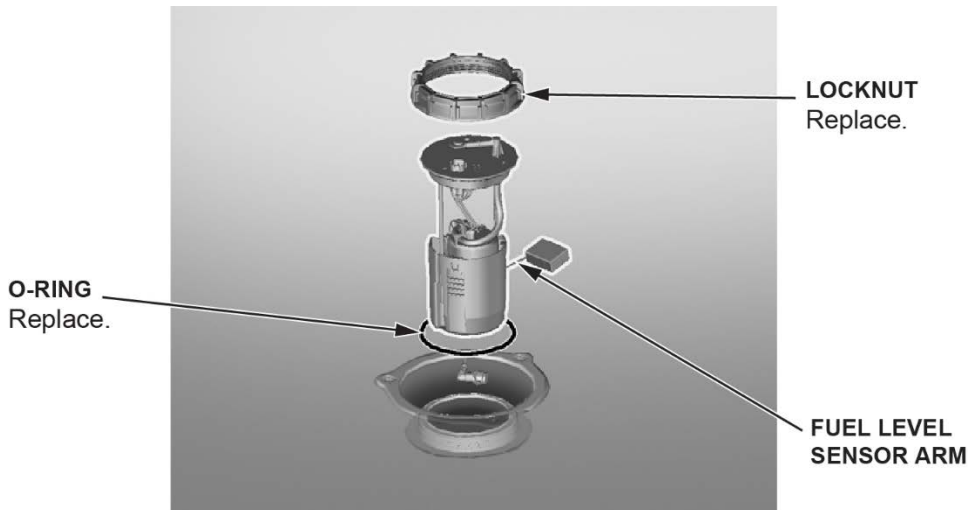


23. Remove the fuel tank unit locknut, then remove the fuel tank unit.

NOTICE

Do not to bend or twist the fuel level sensor arm excessively. This may damage the fuel level sensor or cause it to send inaccurate readings.

NOTE: After unlocking the fuel tank unit cam lock ring, clean the top of the fuel pump flange and adjacent areas to make sure it's free of dirt, dust, and debris.



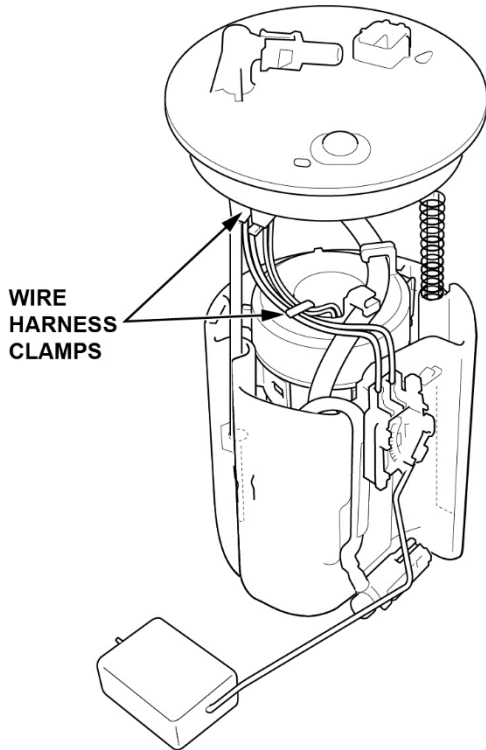
24. Prepare the fuel tank unit and parts to be replaced.

NOTE: Take a photo of the fuel tube and wire harness, and note their routing for assembly. There are various types of routing.

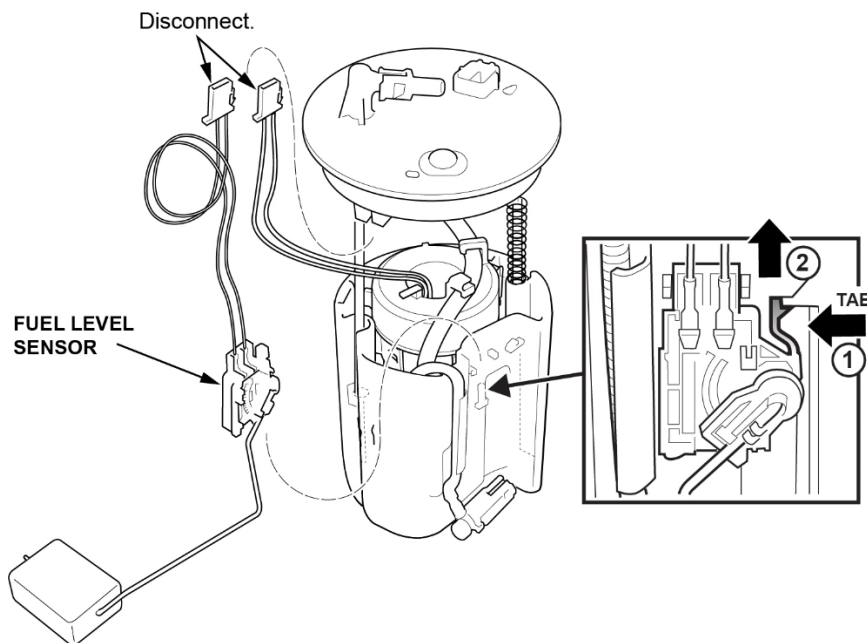
25. Spread the wire harness clamps, and remove the wire harness. Make sure not to damage the wire harness.

NOTICE

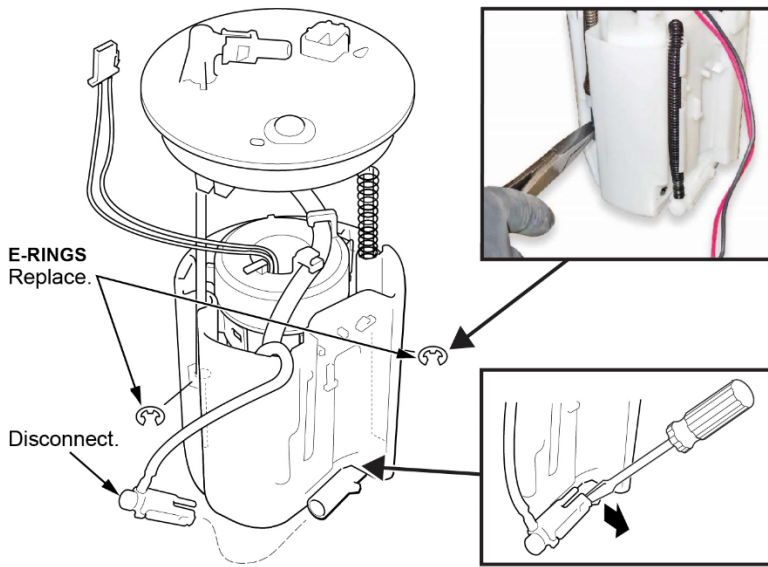
Do not spread the clamps too wide. Spreading them too wide may damage them.



26. Press the tab on the fuel level sensor to release the lock. Then, push up on the fuel level sensor.



27. Remove the E-rings and discard them.



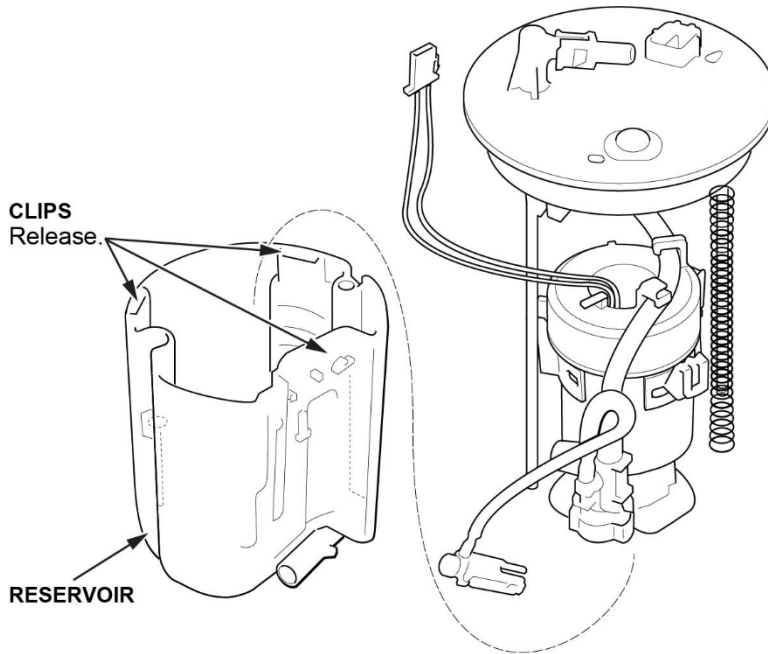
28. Disconnect the joint at the bottom of the reservoir.

29. Remove the fuel filter assembly from the reservoir by releasing the three clips.

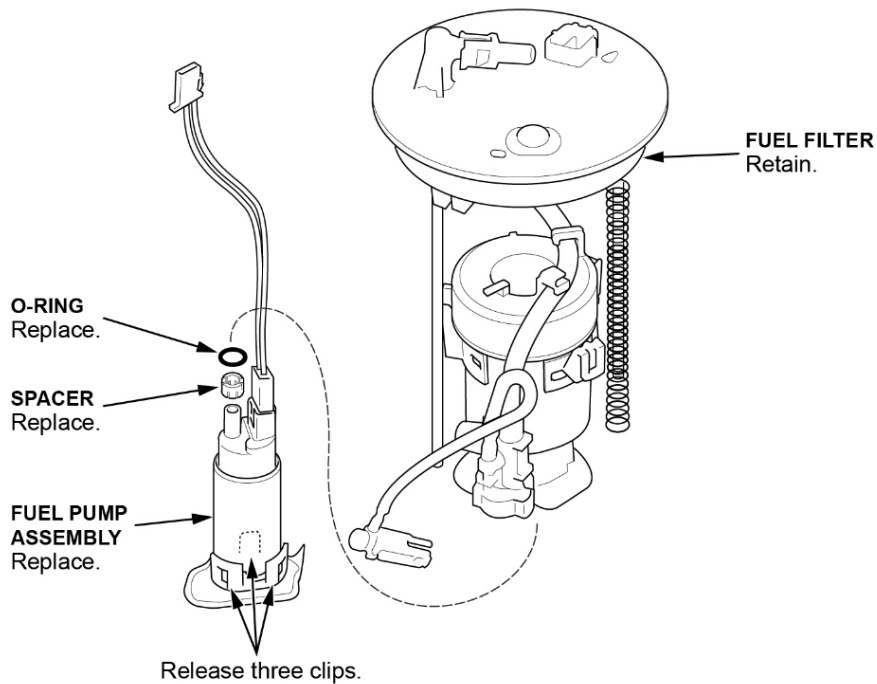
NOTICE

Do not spread the clips too wide. Spreading them too wide may damage them.

NOTE: The spring may slide off the sliding shaft. Retain this spring. It will be used during assembly.



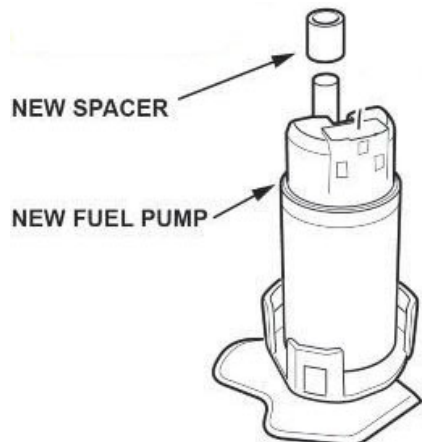
30. Release the three clips at the base of the fuel pump assembly and remove it from the fuel filter.



31. Pull the fuel pump assembly out of the fuel filter.

NOTE: If the O-ring remains on the fuel filter, use a flat-tip screwdriver wrapped in protective tape to remove it. Make sure not to damage the O-ring seat section.

32. Install the new spacer onto the new fuel pump motor.

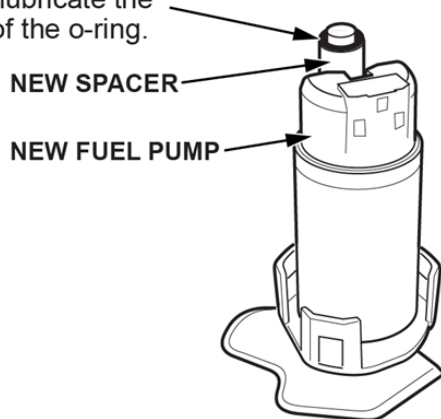


33. Install the new O-ring, then lubricate ONLY the outside edge of it, using clean engine oil.

NOTE: Do not pinch the O-ring during installation.

NEW O-RING

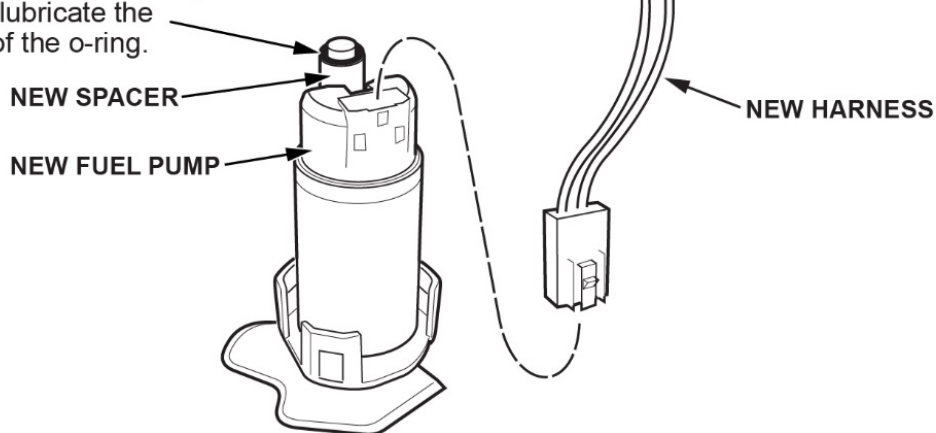
Lubricate after installing.
Do not lubricate the
inside of the o-ring.



34. Install the new harness making sure the connection is secure and the connectors are firmly locked into place.

NEW O-RING

Lubricate after installing.
Do not lubricate the
inside of the o-ring.



35. With the palm of your hands press the fuel pump into the suction fuel filter.

Click here to view the video:

[▶ PLAY VIDEO](#)

NOTICE

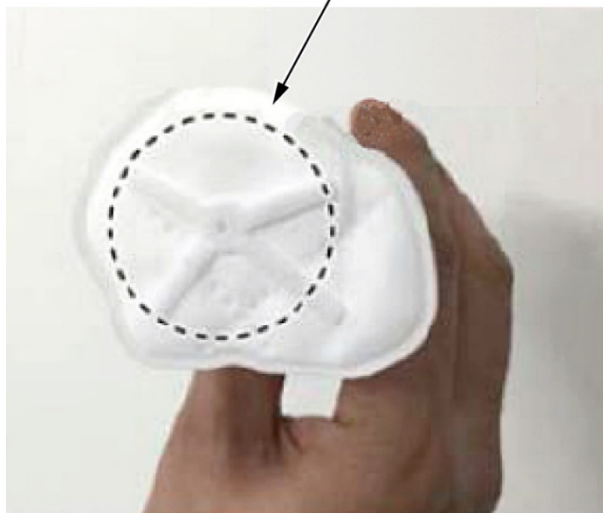
When pressing the fuel pump into the suction filter make sure you do so with a single firm push. Failure to do so may damage the O-ring. If it is seated properly, you will hear a click.

If you do not hear the click, remove all parts and inspect the O-ring for damage. If the O-ring is damaged, it must be replaced. Reassemble using the above process.

NOTE:

- When inserting the pump, be careful not to break the suction filter.
- If the O-ring is damaged; replace it with a new one.
- After installing the fuel pump to the suction filter, make sure the clips are firmly attached to the new fuel pump.

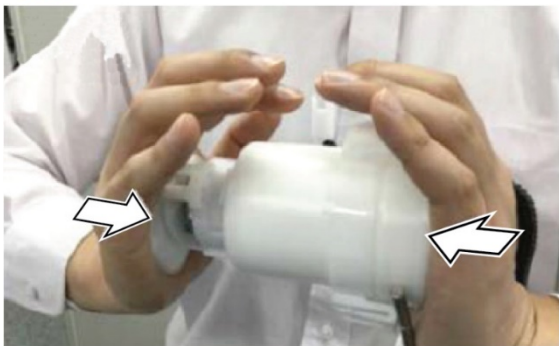
SUCTION FILTER



GOOD



NO GOOD



36. Install the fuel filter assembly to the reservoir.

NOTE:

- Coat the O-ring with clean engine oil; do not use any other oil or fluid.
- Do not pinch the O-ring during installation.
- Insert the spring into the sliding shaft, and make sure it is lined up when installing the fuel filter.
- Make sure the fuel tube is routed **exactly** as shown in the photo taken before disassembly.
- Make sure the three clips are fully engaged.

37. Install the new E-rings.

NOTE:

After installation, make sure the E-rings can be rotated with your finger. If they cannot be rotated, the E-rings may not be fully seated or may be incorrectly installed.

38. Install the fuel level sensor to the reservoir. Make sure the lock is engaged and the connection is secure.

NOTICE

Do not to bend or twist the fuel level sensor arm excessively. This may damage the fuel level sensor or cause it to send inaccurate readings.

39. Install the wiring harness to the clamps.

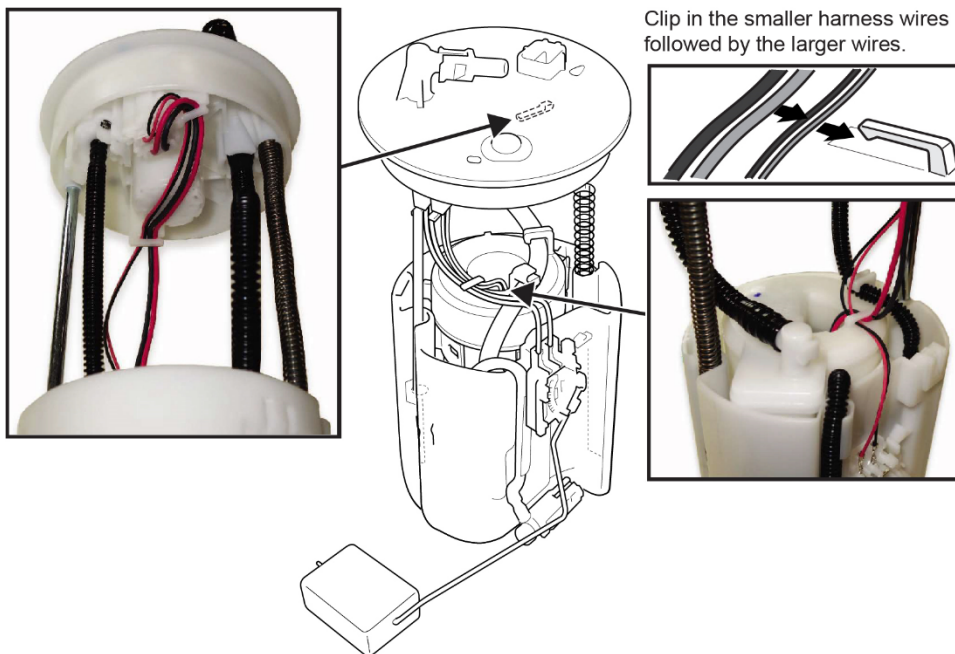
NOTICE

Do not spread the clamps too wide. Spreading them too wide may damage them.

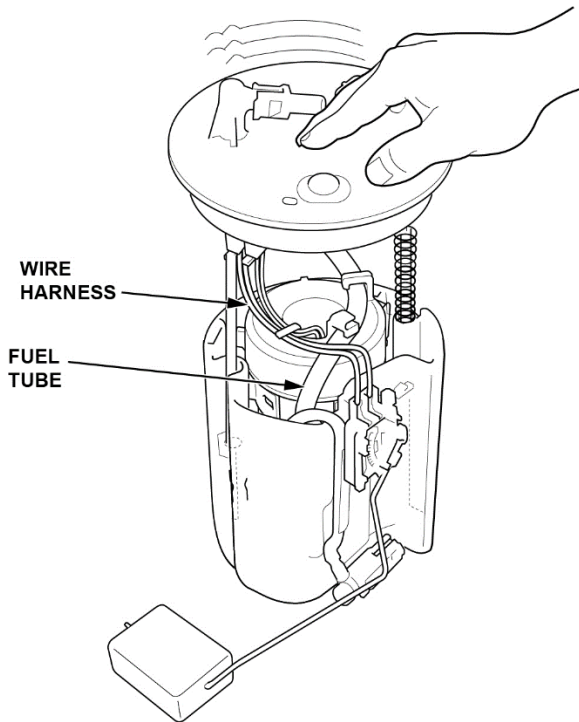
NOTE:

- Clip in the smaller harness wires followed by the larger wires.
- Make sure not to damage the wire harness.
- Make sure to route the wire harness **exactly** as shown in the photo taken before disassembly.

HARNES ROUTING:



40. While compressing the fuel tank unit, make sure the movement is smooth and the fuel tube and wiring harness do not stretch, pinch, or bind.



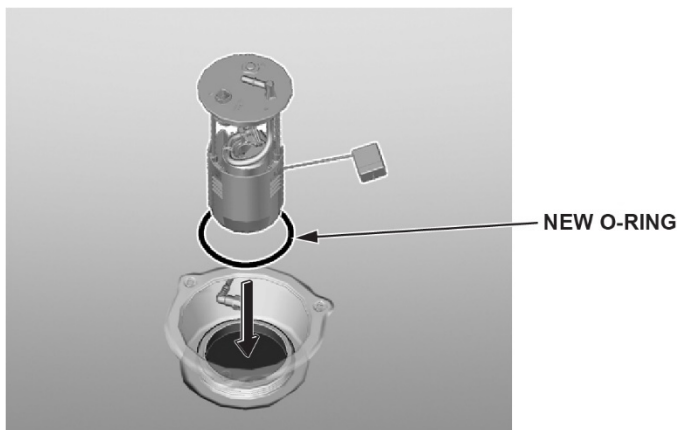
41. Insert the fuel tank unit partially into the fuel tank with a new O-ring.

NOTICE

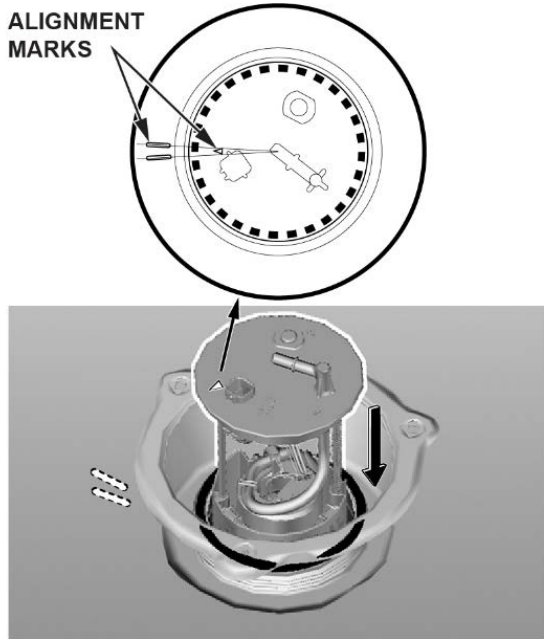
Do not to bend or twist the fuel level sensor arm excessively. This may damage the fuel level sensor or cause it to send inaccurate readings.

NOTE:

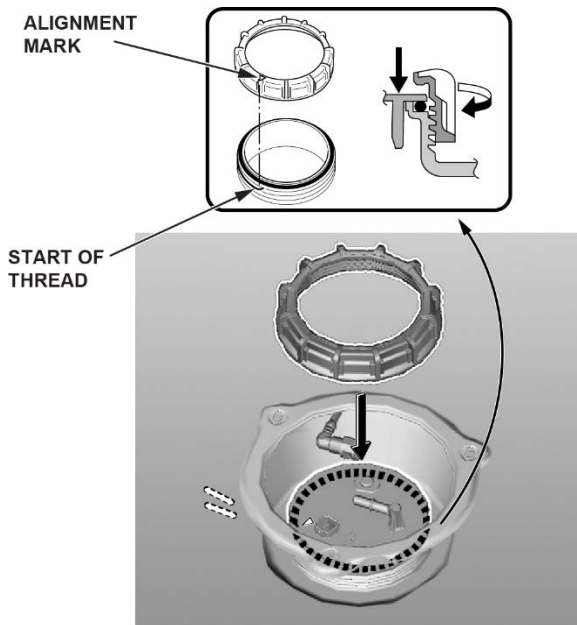
- Before installing the new O-ring, clean the fuel tank around the fuel pump opening where the O-ring will seat. The tank opening must be free of dirt, dust, and debris.
- Be careful not to damage the O-ring.
- Do not coat the O-ring with any oil.



42. Line up the mark on the fuel tank unit to the marks on the fuel tank, then insert the fuel tank unit into the fuel tank.
NOTE: To avoid any leaks, check the O-ring, either visually or by hand, to make sure it is not pinched.



43. Line up the mark on the new locknut to the start of the thread on the fuel tank.

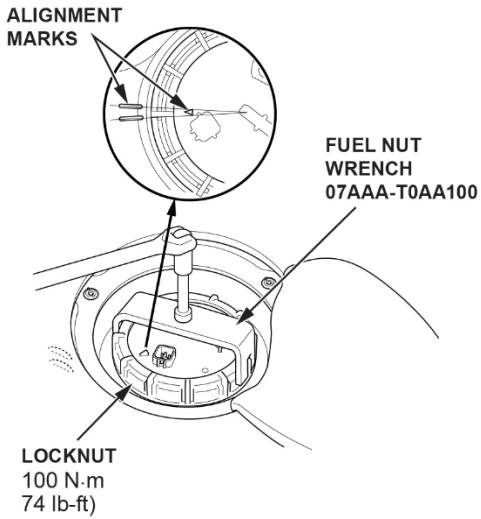


44. Press down on the fuel tank unit while turning the locknut clockwise by hand.

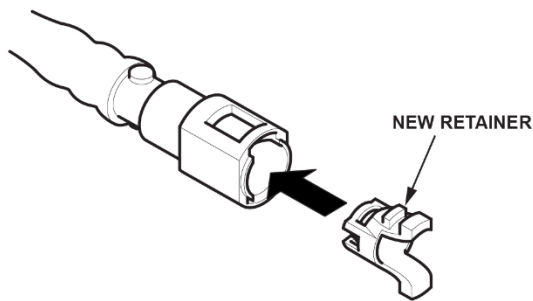
45. Using the fuel nut wrench, tighten the locknut to **100 N·m (74 lb-ft)**.

NOTE:

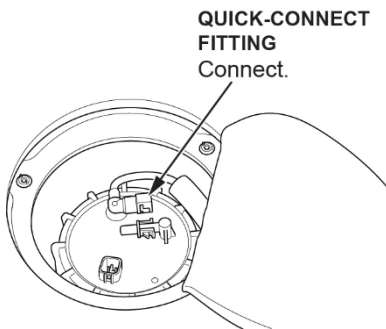
- During installation, check the O-ring, either visually or by hand, to make sure it is not pinched.
- After tightening, make sure the mark on the fuel tank unit is still lined up with the marks on the fuel tank.



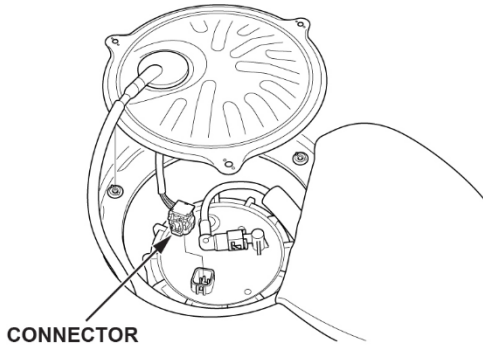
46. Remove the quick-connect fitting retainer from the fuel tank unit, then install a new retainer onto the quick-connect fitting.



47. Connect the fuel line quick-connect fitting.



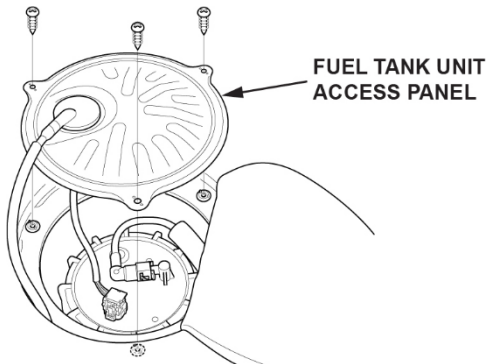
48. Connect the fuel tank unit connector.



49. Connect the 12-volt battery terminals and torque to **4.0–6.0 N·m (3.0–4.4 ft·lb)**.

50. Turn the ignition to ON, but do not turn the engine on. After the fuel pump runs for about **2 seconds**, the fuel line will be pressurized. Repeat two or three times, then make sure there is no fuel leakage.

51. Install the fuel tank unit access panel.



52. Install the remaining parts in the reverse order of removal.

53. Clear all DTCs using an i-HDS.

54. *California residents only:* Fill out a Vehicle Emissions Recall – Proof of Correction certificate, and use **EGG** as the recall number. Have the service consultant give the certificate to your client, and advise him or her to keep it as proof that the recall was completed. Your client will need to submit this certificate to the DMV only if the DMV requests it. If you need more certificates, use reorder number **Y0657**.

Vehicle Emission Recall - Proof of Correction				
License Number	Make	Year Model	Body Type	Vehicle Identification Number
				<input type="text"/>
Manufacturer _____				Recall Number <u>EGG</u>
The above described vehicle has been repaired, modified and/or equipped with _____ devices to meet applicable California Emission Control Laws.				
Dealer's Name		Address, City, State and Zip		
Date		Dealership's Authorized Signature		
		X		
Return this certificate to DMV only when required - otherwise retain for your records.				

Y0657 ACL 24832 (0212)