

September 6, 2024

Version 3

Safety Recall: 2018–19 Fit Fuel Pump Motor

Supersedes 24-023 dated August 1, 2024, to revise the information highlighted in **yellow**.

AFFECTED VEHICLES

Year	Model	Trim Level	VIN Range
2018–19	Fit	ALL	Check the iN-VIN status for eligibility.

REVISIONSUMMARY

Under CUSTOMER NOTIFICATION, CORRECTIVE ACTION, and PARTS INFORMATION, the information has been updated.

BACKGROUND

Due to swelling of the fuel pump motor impeller, the fuel pump may seize and stop working. A defective impeller may cause the fuel pump to become inoperative, which could prevent an engine from functioning as intended. This limitation may cause a loss of motive power or a stall while being driven, increasing the risk of a crash or injury, creating a safety hazard.

CUSTOMER NOTIFICATION

Owners of affected vehicles will be sent a notification of this campaign.

Do an iN VIN status inquiry to make sure the vehicle is shown as eligible.

Some vehicles affected by this campaign may be in your new or used vehicle inventory.

Failure to repair a vehicle subject to a recall or campaign may subject your dealership to claims or lawsuits from the customer or anyone else harmed as a result of such failure. To see if a vehicle in inventory is affected by this safety recall, do a VIN status inquiry before selling it.

CORRECTIVE ACTION

Replace the fuel pump motor.

PARTS INFORMATION

NOTE: Parts will be VIN controlled and can be ordered via the controlled order screen.

Part Name	Part Number	Quantity
Fuel Pump Motor Kit	06170-TBZ-305	1

For dealers experiencing a strong fuel smell from storing a fuel pump motor replaced under this service bulletin, the fuel pump motor may be disposed of immediately in accordance with local regulations. This only applies to the fuel pump motor replaced under this service bulletin. The published retention policy remains in effect for all other parts.

If you have any questions about this exception or other parts retention issues, contact the WPI Administrative Office at **937-642-2737**

CUSTOMER INFORMATION: The information in this bulletin is intended for use only by skilled technicians who have the proper tools, equipment, and training to correctly and safely maintain your vehicle. These procedures should not be attempted by “do-it-yourselfers,” and you should not assume this bulletin applies to your vehicle, or that your vehicle has the condition described. To determine whether this information applies, contact an authorized Honda automobile dealer.

TOOL INFORMATION

Tool Name	Part Number	Quantity
Fuel Nut Wrench (Fuel Sender Wrench)	07AAA-S0XA100	1
Fuel Module Separator Set	07AAF-T5RA100	1

WARRANTY CLAIM INFORMATION

Operation Number	Description	Flat Rate Time	Defect Code	Symptom Code	Template ID	Failed Part Number
3101EH	Replace the fuel pump motor.	1.1 hr	6FE00	GGT00	A24023A	17045-T5R-A00

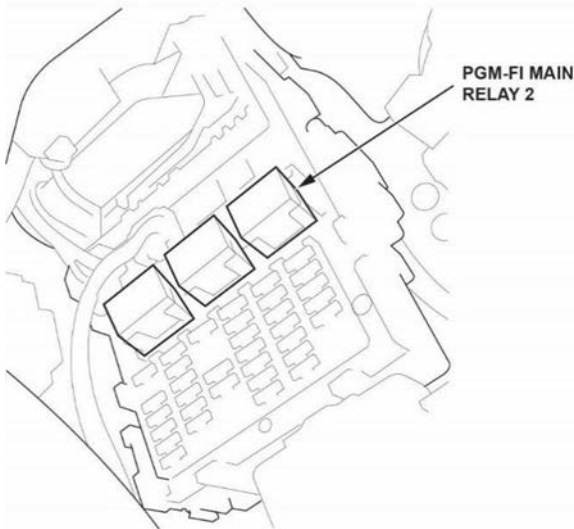
Skill Level: Repair Technician

REPAIR PROCEDURE

⚠ WARNING

Fuel pump motor removal exposes fuel, which can ignite, causing a fire or explosion. This can cause serious injury or death. Always work in a well-ventilated area and keep sparks or open flames away.

1. Remove the fuel fill cap to relieve the pressure in the fuel tank.
2. Remove the PGM-FI main relay 2 from the under-dash fuse/relay box.



3. Start the engine and let it idle until it stalls.
4. Turn the ignition to OFF.
5. Install the PGM-FI main relay 2.

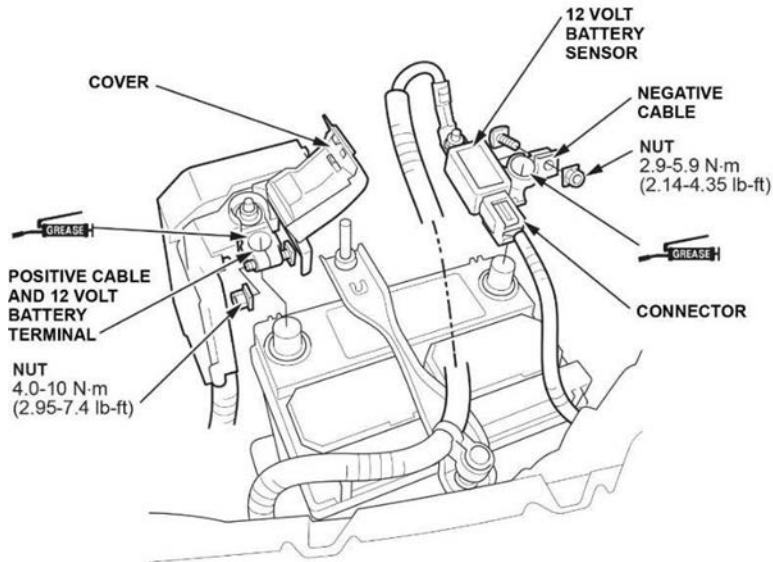
6. Disconnect both 12-volt battery terminals.

NOTICE

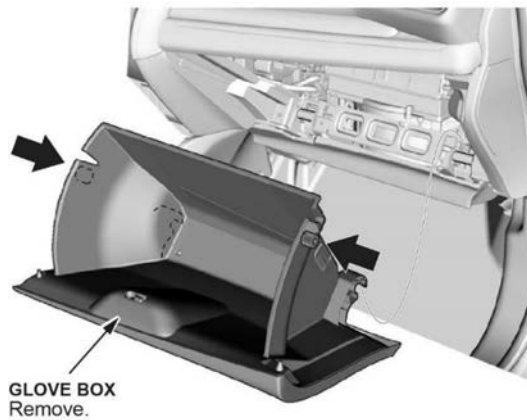
To protect the terminal connector from damage, do not hold it when removing the negative terminal.

NOTE:

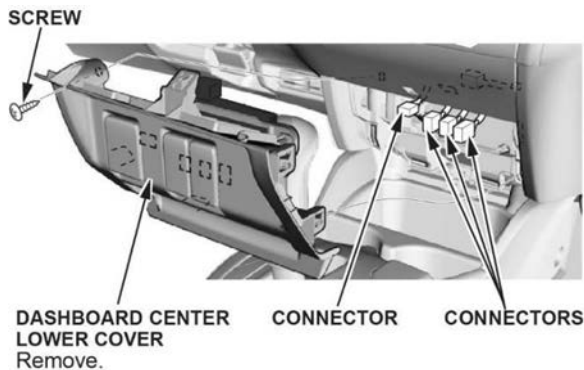
- Always disconnect the negative terminal first.
- Do not disconnect the 12-volt battery sensor from the cable.



7. Remove the glove box.



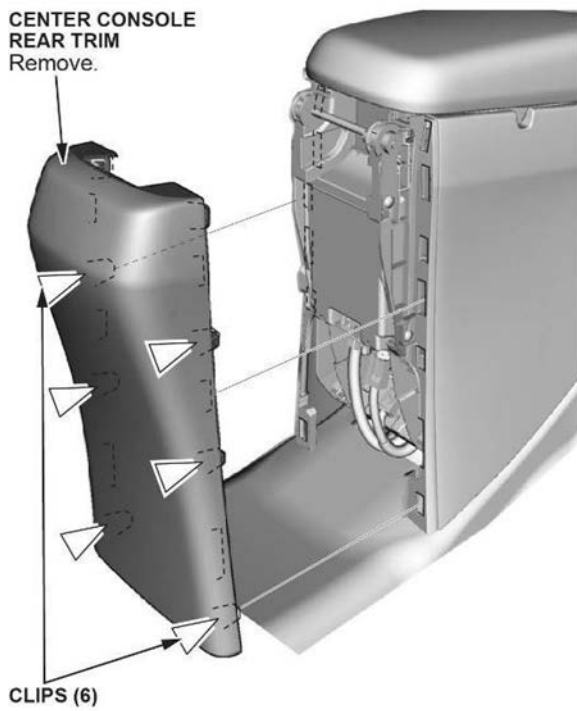
8. Remove the dashboard center lower cover.



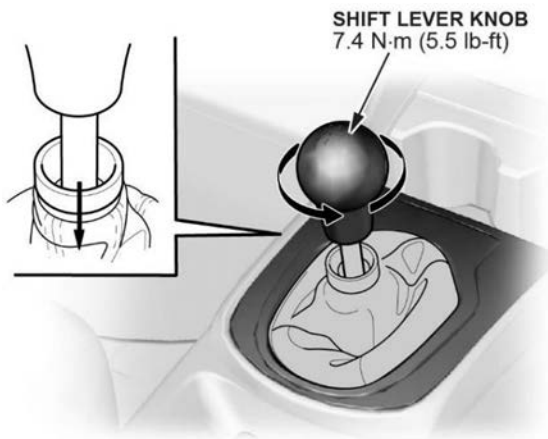
9. Push the back of the cover from the glove box opening to remove it.

10. Disconnect the connector(s) depending on the trim.

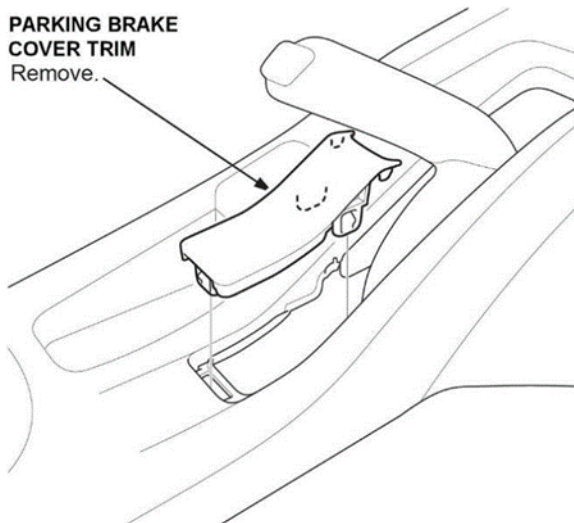
11. **With center console armrest only:** Remove the center console rear trim.



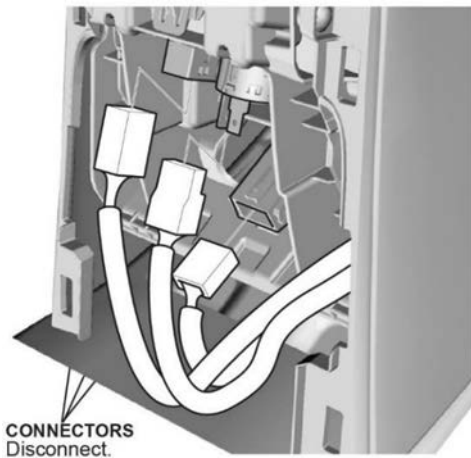
12. **Manual (M/T) only:** Remove the shift lever knob.



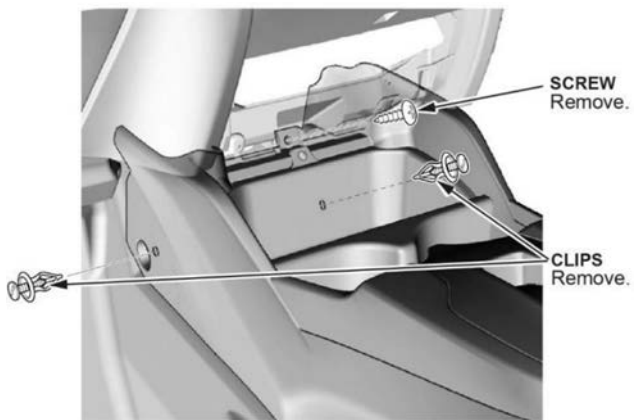
13. Remove the parking brake cover trim.



14. *With center console armrest only.* Disconnect the connectors.

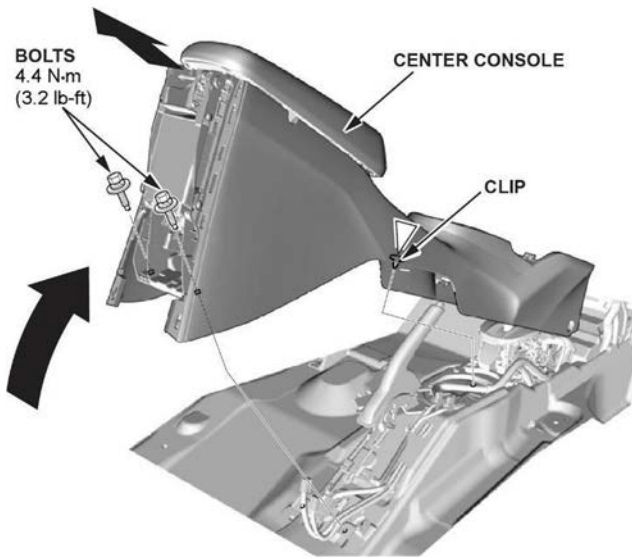


15. Remove the center console screw and clips.

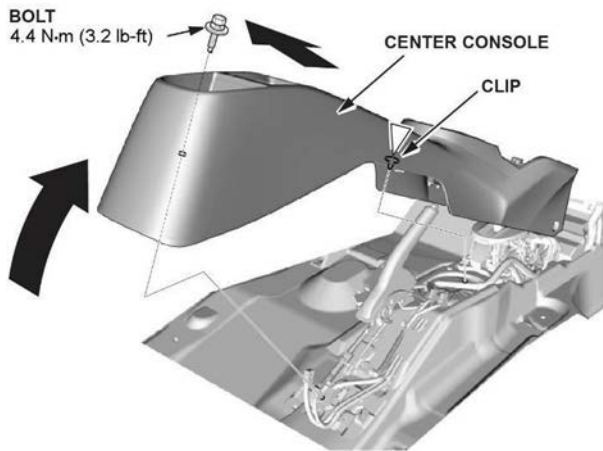


16. Remove the center console.

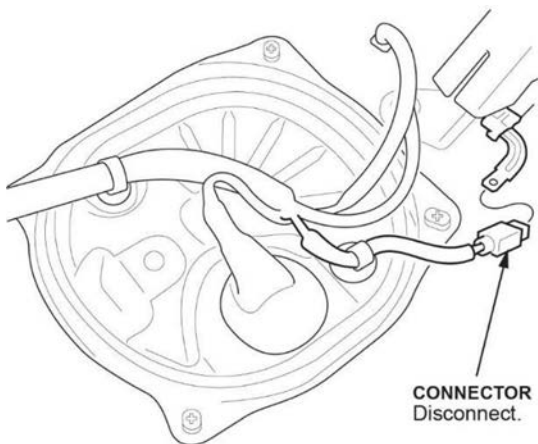
WITH ARMREST



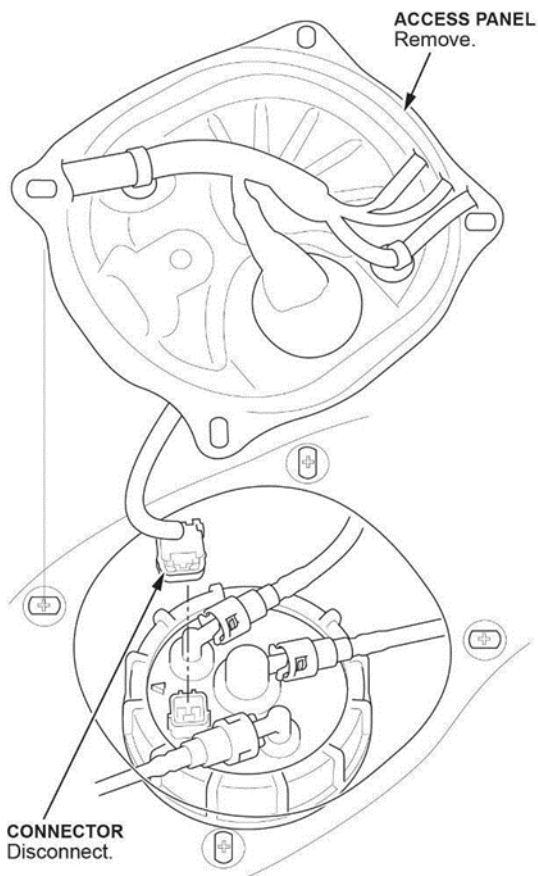
WITHOUT ARMREST



17. Remove the fuel tank unit access panel and disconnect the connector.

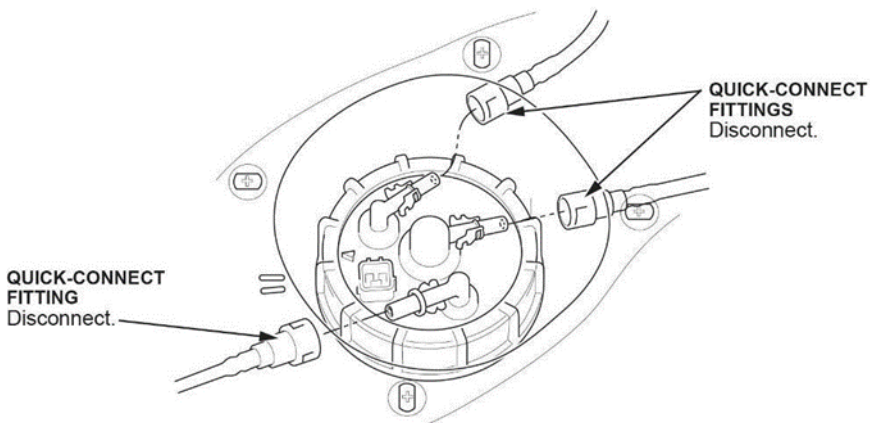


18. Remove the access panel from the floor.

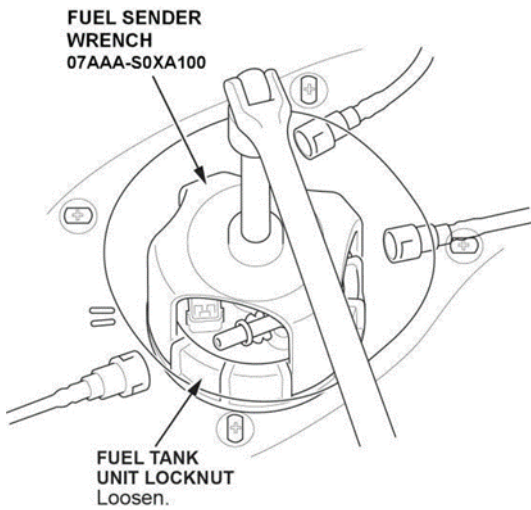


19. Disconnect the connector.

20. Place a rag or shop towel over the quick-connect fittings, and disconnect them.



21. Loosen the fuel tank unit locknut using the Fuel Sender Wrench (T/N 07AAA-S0XA100).

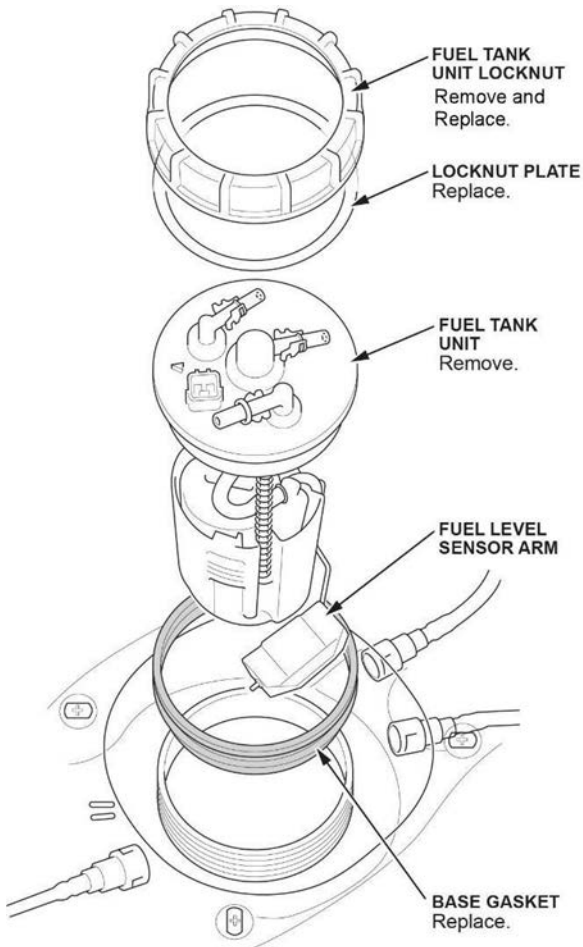


22. Remove the fuel tank unit locknut, then remove the fuel tank unit.

NOTICE

Do not bend or twist the fuel level sensor arm excessively. This may damage the fuel level sensor or cause it to send inaccurate readings.

NOTE: After unlocking the fuel tank unit cam lock ring, clean the top of the fuel pump flange and adjacent areas to make sure it's free of dirt, dust, and debris.



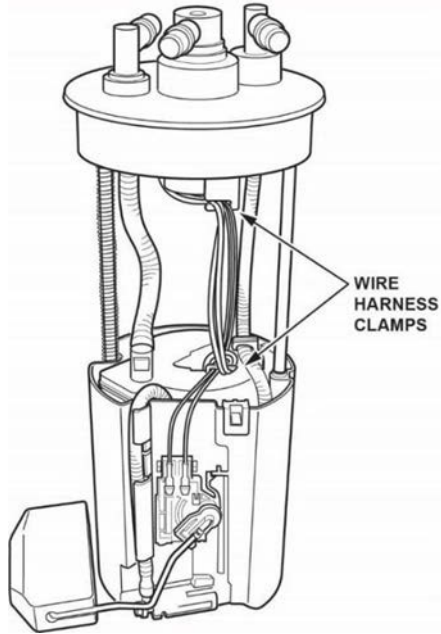
23. Prepare the fuel tank unit and parts to be replaced.

NOTE: Take a photo of the fuel tube and wire harness and note their routing for assembly. There are various types of routing.

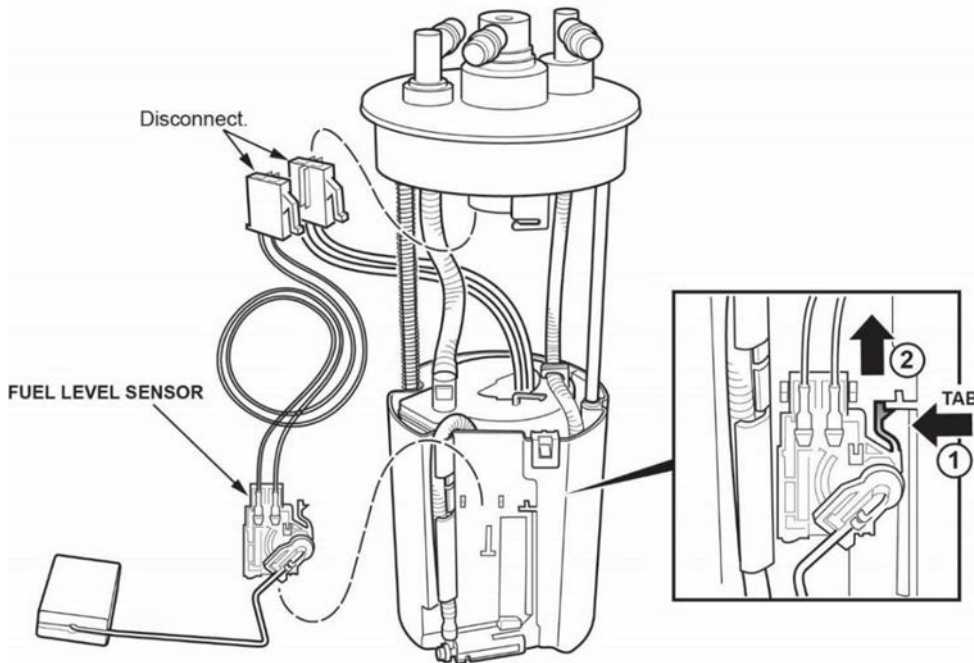
24. Spread the wire harness clamps and remove the wire harness. Make sure not to damage the wire harness.

NOTICE

Do not spread the clamps too wide. Spreading them too wide may damage them.

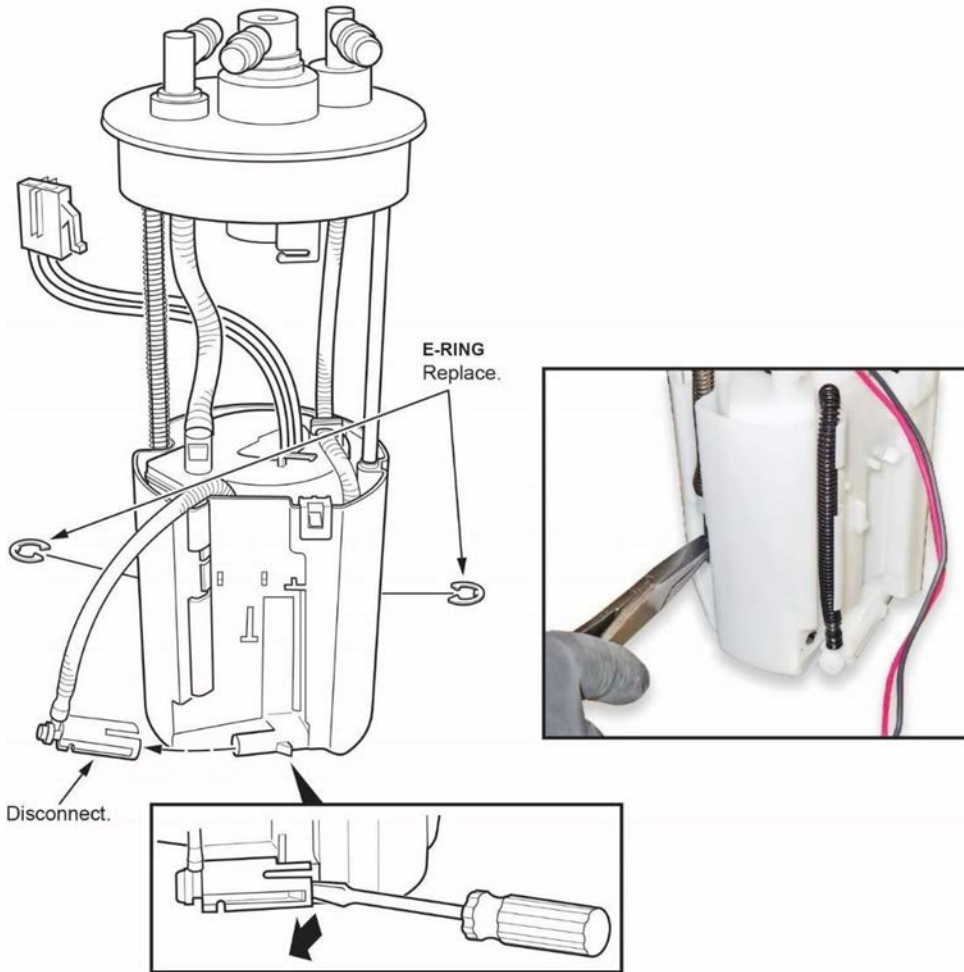


25. Press the tab on the fuel level sensor to release the lock. Then, push on the fuel level sensor.



26. Remove the fuel level sensor from the fuel tank unit.

27. Remove the E-rings and discard them.



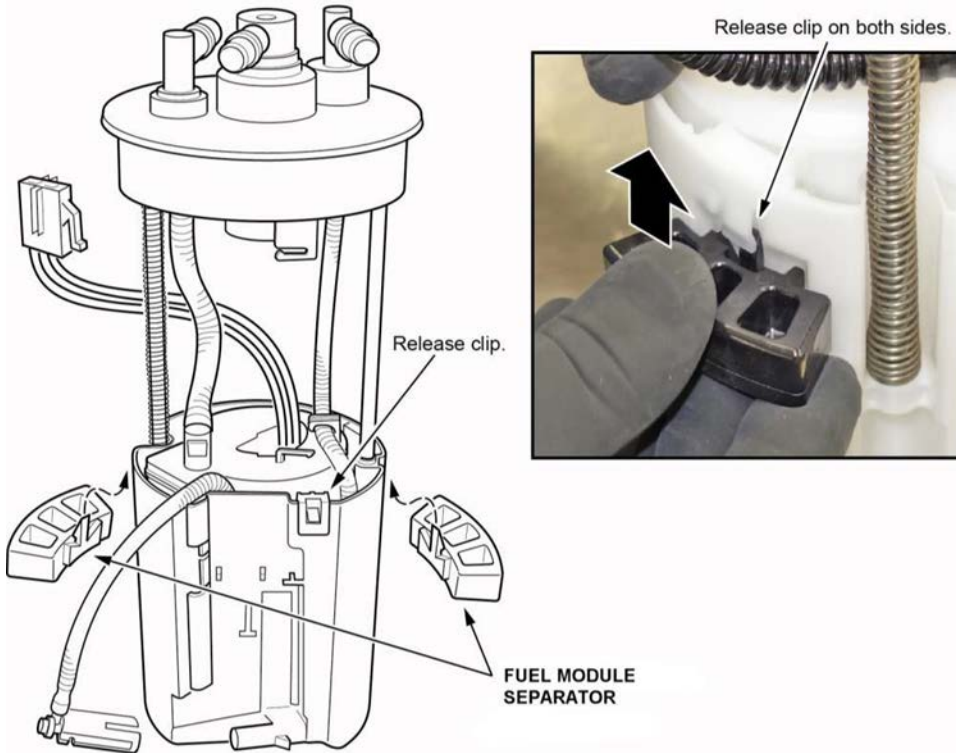
28. Disconnect the joint at the bottom of the reservoir.

29. Remove the fuel filter assembly from the reservoir by releasing the three clips.

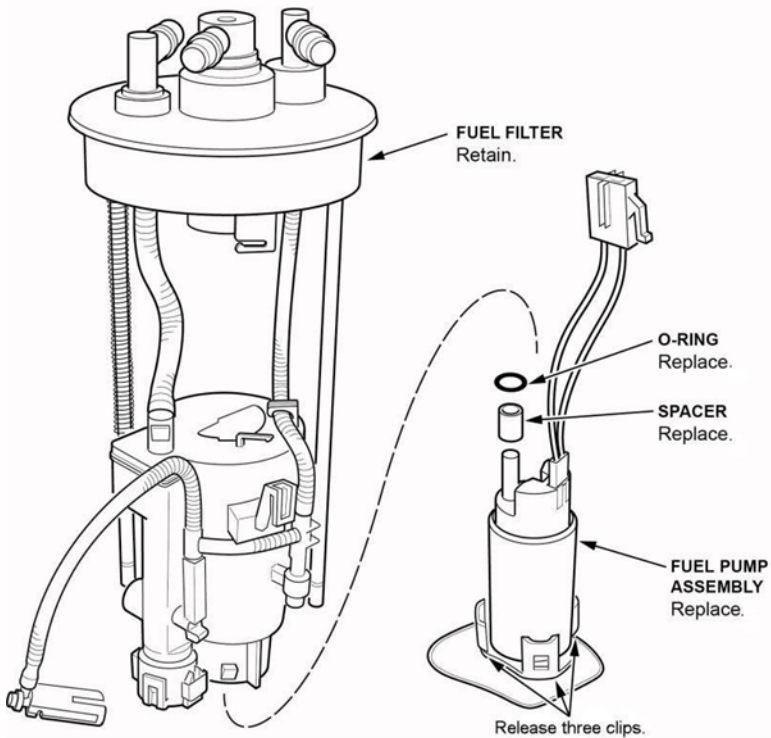
NOTICE

Do not spread the clips too wide. Spreading them too wide may damage them.

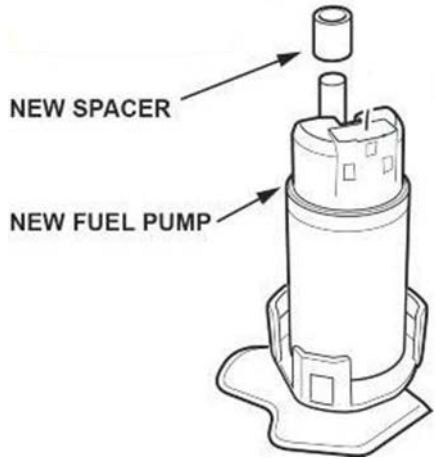
- Use the fuel module separator on two of the clips.
- The spring may slide off the sliding shaft. Retain this spring. It will be used during assembly.



30. Release the three clips at the base of the fuel pump assembly.



31. Pull the fuel pump assembly out of the fuel filter.
32. Install the new spacer on the new fuel pump motor.



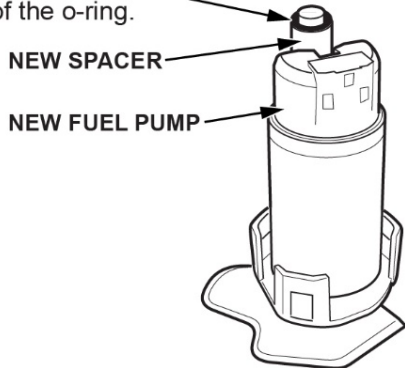
33. Install the new O-ring, then lubricate ONLY the outside edge of it, using clean engine oil.

NOTE: Do not pinch the O-ring during installation.

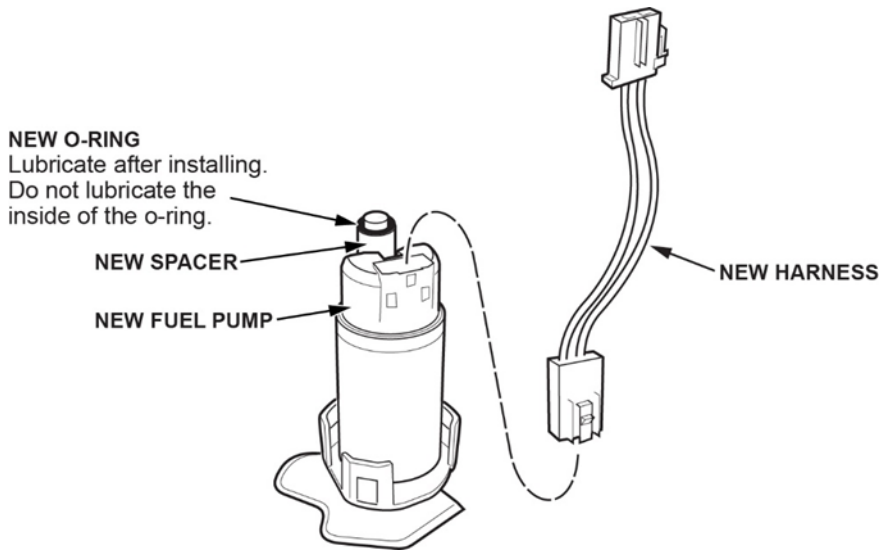
NEW O-RING

Lubricate after installing.

Do not lubricate the inside of the o-ring.



34. Install the new harness and make sure the connection is secure, and the connectors are firmly locked into place.



35. With the palm of your hand press the fuel pump into the suction fuel filter.

[▶ PLAY VIDEO](#)

Click here to view the video:

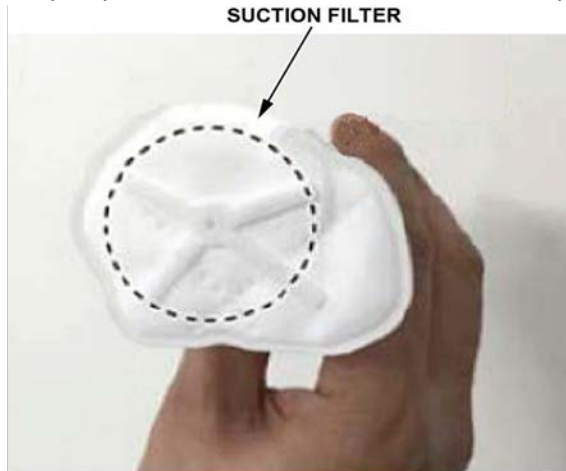
NOTICE

When pressing the fuel pump into the suction filter, make sure you do so with a single firm push. Failure to do so may damage the O-ring. If it is seated properly, you will hear a click.

If you do not hear the click, remove all parts and inspect the O-ring for damage. If the O-ring is damaged, it must be replaced. Reassemble using the above process.

NOTE:

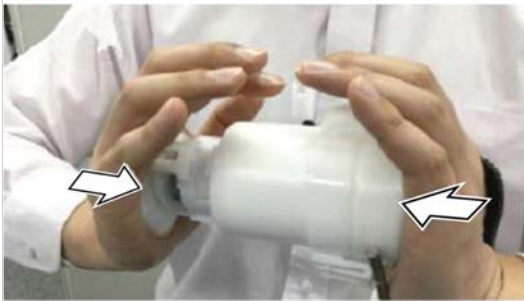
- When inserting the pump, be careful not to break the suction filter.
- If the O-ring is damaged, replace it with a new one.
- After installing the fuel pump to the suction filter, make sure the clips are firmly attached to the new fuel pump.



GOOD



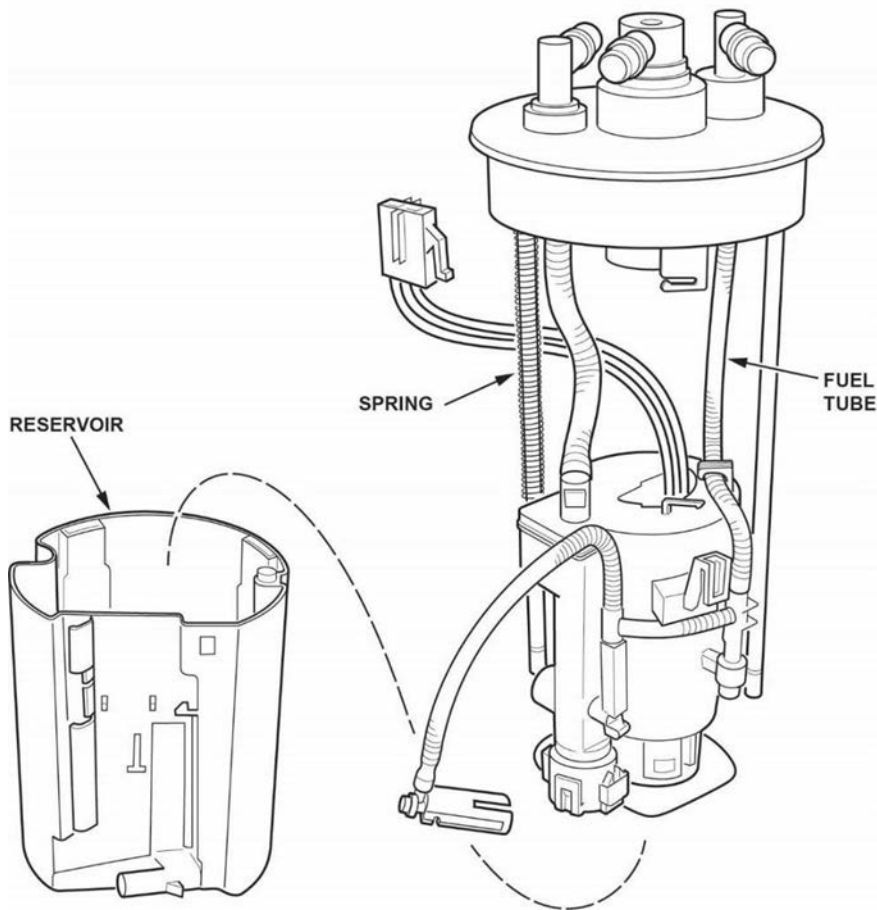
NO GOOD



36. Install the fuel filter assembly to the reservoir.

NOTE:

- Install the spring onto the sliding shaft, and make sure it is lined up when installing the fuel filter.
- Make sure the fuel tube is routed exactly as shown in the photo taken before disassembly.
- Make sure the three clips are fully engaged.



37. Install the new E-rings.

NOTE: After installation, make sure the E-rings can be rotated with your finger. If they cannot be rotated, the E-rings may not be fully seated or may be incorrectly installed.

38. Install the fuel level sensor to the reservoir. Make sure the lock is engaged and the connection is secure.

NOTICE

Do not bend or twist the fuel level sensor arm excessively. This may damage the fuel level sensor or cause it to send inaccurate readings.

39. Install the wiring harness to the clamps.

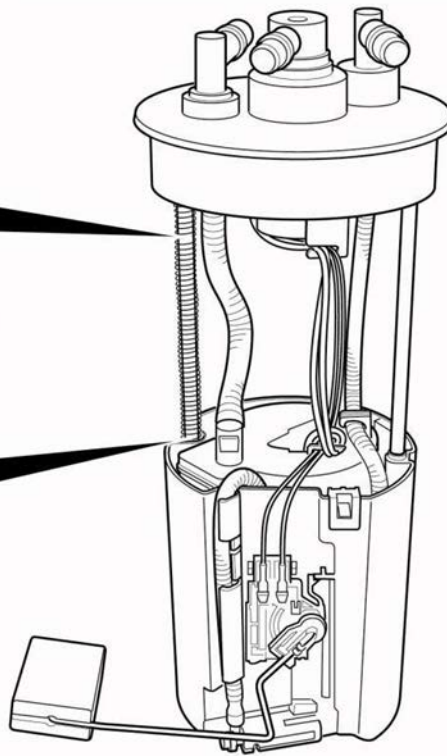
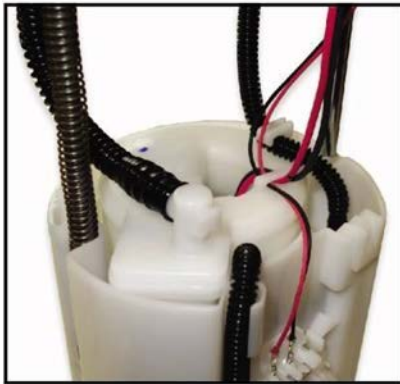
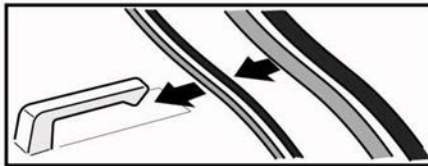
NOTICE

NOTE:

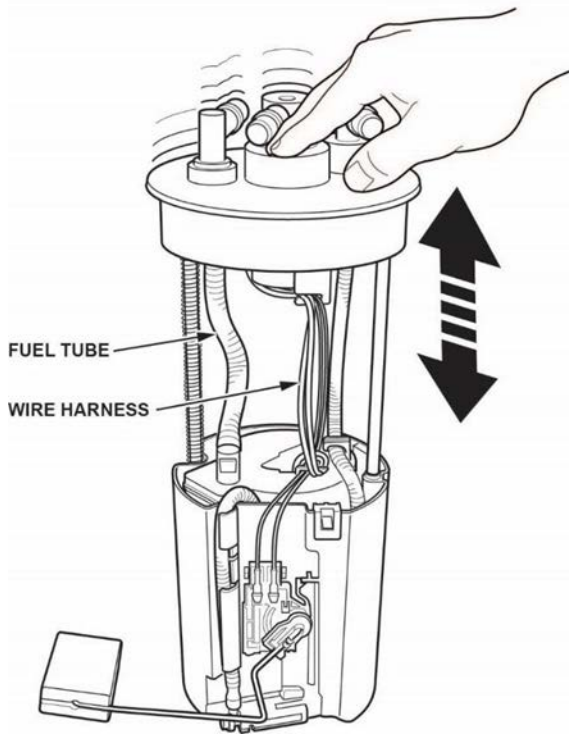
- Clip in the smaller harness wires followed by the larger wires.
- Make sure not to damage the wire harness.
- Make sure to route the wire harness exactly as shown in the photo taken before disassembly.

HARNESS ROUTING

Clip in the smaller harness wires followed by the larger wires.



40. While compressing the fuel tank unit, make sure the movement is smooth and the fuel tube and wiring harness do not stretch, pinch, or bind.



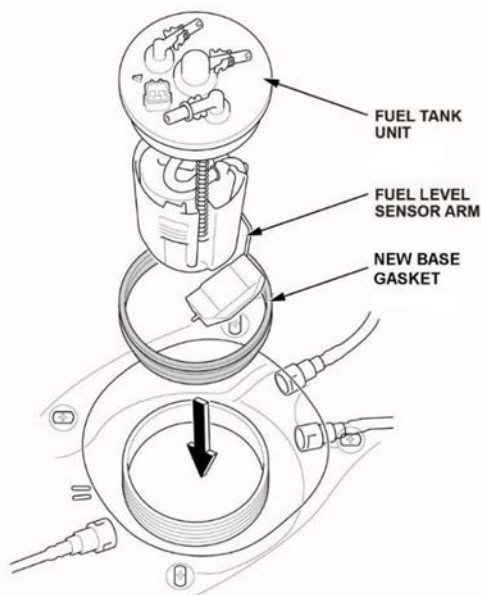
41. Partially insert the fuel tank unit into the fuel tank with a new base gasket.

NOTICE

Do not bend or twist the fuel level sensor arm excessively. This may damage the fuel level sensor or cause it to send inaccurate readings.

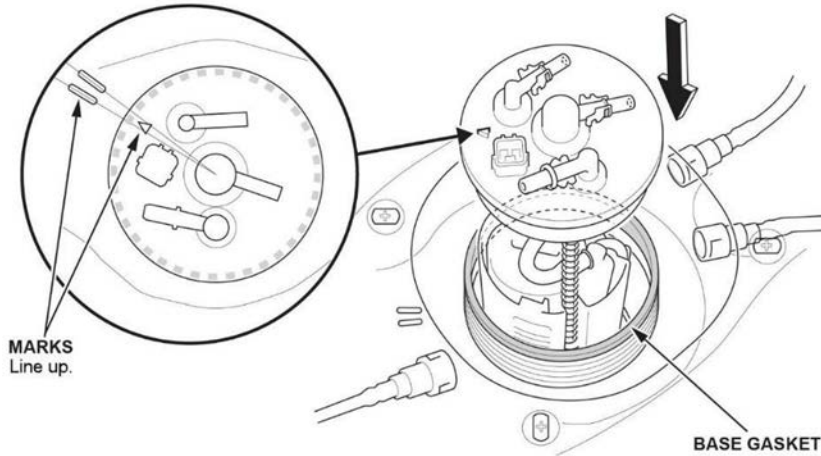
NOTE:

- Before installing the new O-ring, clean the fuel tank around the fuel pump opening where the O-ring will seat. The tank opening must be free of dirt, dust, and debris.
- Be careful not to damage the O-ring.
- Do not coat the O-ring with any oil.

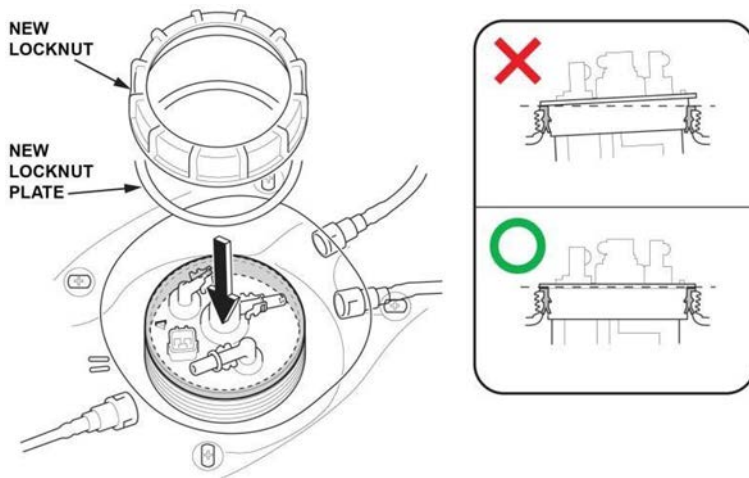


42. Line up the marks on the fuel tank and fuel tank unit as shown, then insert the fuel tank unit.

NOTE: To avoid a fuel leak, make sure the base gasket is not pinched.



43. Hold the fuel tank unit vertically and tighten the new fuel tank unit locknut with a new locknut plate by hand.



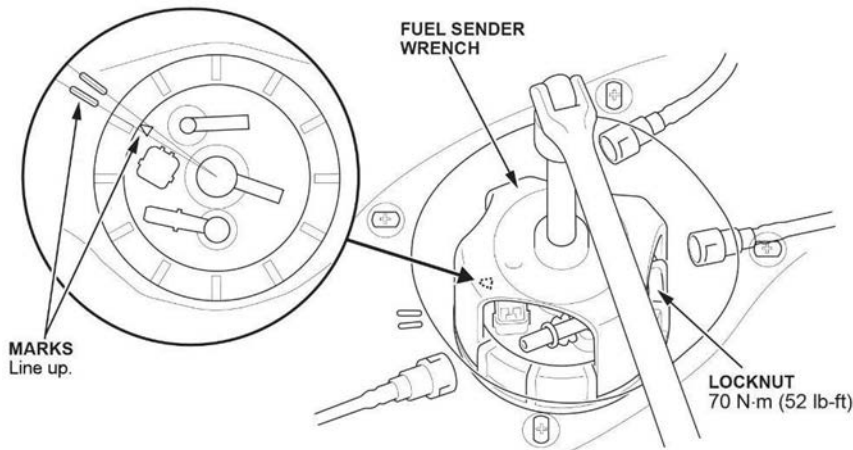
44. Tighten the fuel tank unit locknut to the specified torque using the fuel sender wrench.

NOTICE

If the locknut is not properly installed, the fuel tank can be damaged and will require replacement.

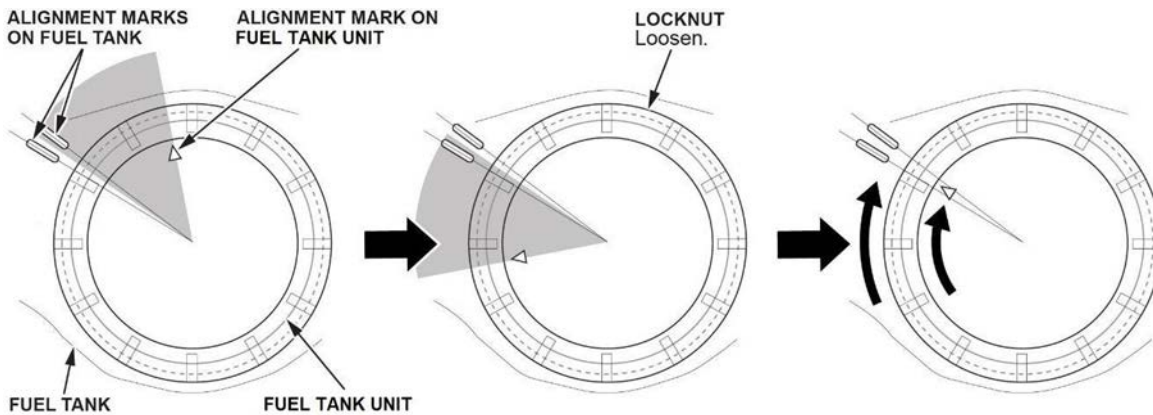
NOTE:

- After tightening, make sure the marks are still lined up.
- To avoid a fuel leak, make sure the base gasket is not pinched.

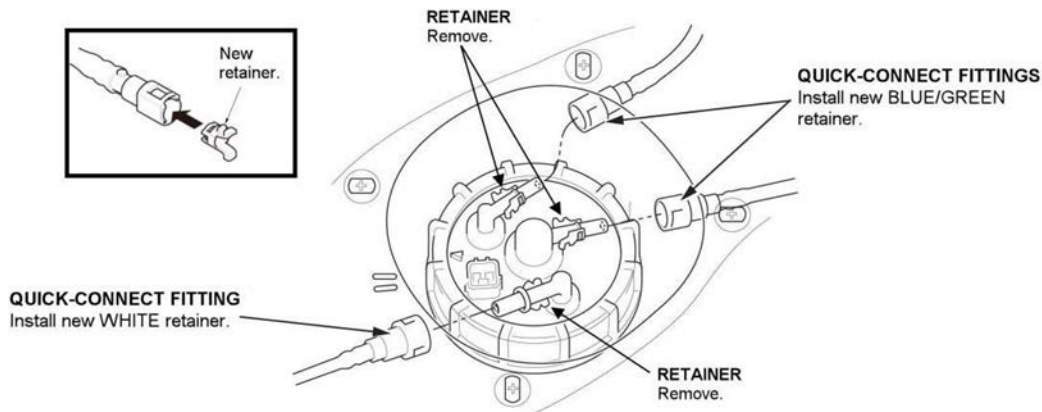


45. If the marks do not line up, friction between the fuel tank unit and the locknut may cause the fuel tank unit to turn while tightening. Observe the difference (shaded area) and loosen the locknut until the fuel tank unit can be rotated. Rotate the fuel tank unit counterclockwise by the same amount and repeat the tightening process.

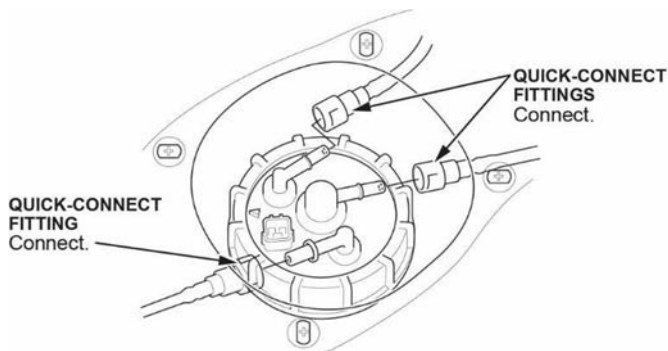
NOTE: Repeat this step as necessary until the marks are lined up when the locknut is tightened to the specified torque.



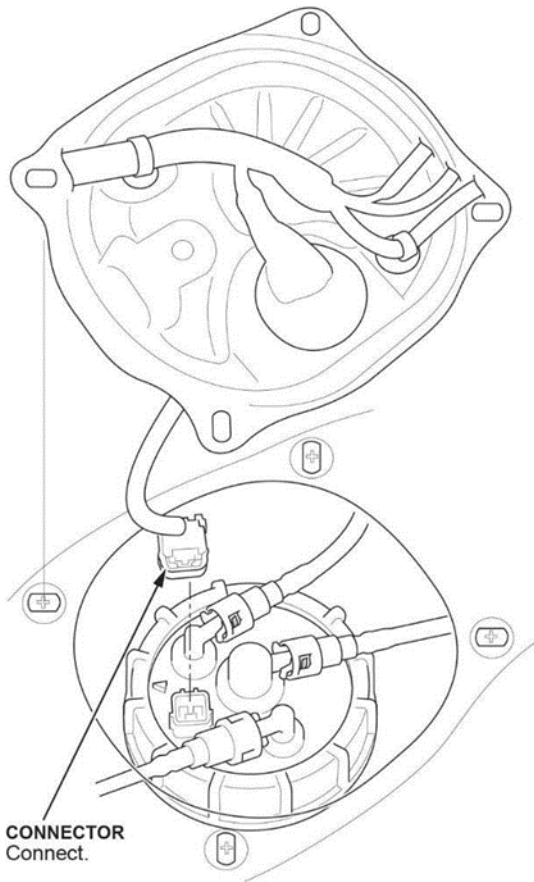
46. Remove the quick-connect fitting retainers on the fuel tank unit, then install the new retainers to the quick-connect fittings as shown.



47. Connect the quick-connect fittings to the fuel tank unit.



48. Connect the fuel tank unit connector.



49. Connect the 12-volt battery terminals **2.9–5.9 N·m (2.1–4.3 lb-ft)**.

- Clean the 12-volt battery terminals.
- Connect the positive cable and the 12-volt battery terminal to the 12-volt battery.

NOTE: Always connect the positive side first.

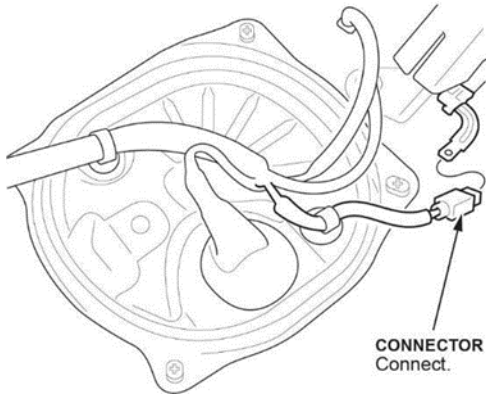
- Close the cover.
- Connect the negative cable with the 12-volt battery sensor to the 12-volt battery.

NOTE: To protect the connector from damage, do not hold it when installing the negative terminal.

- Apply multipurpose grease to the terminals to prevent corrosion.

50. Check for fuel leaks by turning the ignition to ON, but do not turn the engine on. After the fuel pump runs for about **2 seconds**, the fuel line will be pressurized. Repeat two or three times, then make sure there is no fuel leakage.

51. Install the fuel tank unit access panel and connect the connector.



- 52. Install the remaining parts in the reverse order of removal.
- 53. Clear all DTCs using an i-HDS.
- 54. *California residents only:* Fill out a Vehicle Emissions Recall – Proof of Correction certificate and use **GGT** as the recall number. Have the service consultant give the certificate to your customer and advise him or her to keep it as proof that the recall was completed. Your customer will need to submit this certificate to the DMV only if the DMV requests it. If you need more certificates, use reorder number **Y0657**.

Vehicle Emission Recall - Proof of Correction				
License Number	Make	Year Model	Body Type	Vehicle Identification Number <div style="border: 1px solid black; display: flex; justify-content: space-between; height: 20px;"> 1234567891011121314151617181920 </div>
Manufacturer _____			Recall Number GGT	
The above described vehicle has been repaired, modified and/or equipped with emission control devices to meet applicable California Emission Control Laws.				
Dealer's Name _____		Address, City, State and Zip _____		
Date _____	Dealership's Authorized Signature _____			
<div style="display: flex; justify-content: center; align-items: center; gap: 20px;"> X </div>				
Return this certificate to DMV only when required - otherwise retain for your records.				

Y0657 ACL 24832 (0212)