

August 16, 2024

Version 3

Safety Recall: 2017–20 NSX Fuel Pump Motor

Supersedes 24-010, dated July 12, 2024 to revise the information highlighted in **yellow**.

AFFECTED VEHICLES

Year	Model	Trim Level	VIN Range
2017–20	NSX	ALL	Check the iN VIN status for eligibility.

REVISION SUMMARY

Under PARTS INFORMATION, information was clarified.

BACKGROUND

On December 18, 2023, Acura notified NHTSA of its intention to initiate a **STOP SALE** and **safety recall** for a certain number of 2017–20 NSX units in order to replace the fuel pump motor manufactured with defective impellers.

Due to swelling of the fuel pump motor impeller, the fuel pump may seize and stop working. A defective impeller may cause the fuel pump to become inoperative, which could prevent an engine from functioning as intended. This limitation may cause a loss of motive power or a stall while being driven, increasing the risk of a crash or injury, creating a safety hazard.

If this bulletin appears during an iN VIN status inquiry, the vehicle is subject to a **safety recall**. Any affected vehicles in your dealer inventory are on **STOP SALE** until further notice. Refrain from calling Tech Line for updates.

CLIENT NOTIFICATION

Owners of the affected vehicles will be sent a notification of this campaign. They will be informed that due to a limited supply of parts (at this time) Acura is **prioritizing** the repair of client vehicles experiencing symptoms related to this recall.

When **adequate replacement parts** become available, Acura will send a follow-up letter to clients instructing them to schedule an appointment for all vehicles affected by this recall. If a client experiences the known symptoms associated with this **safety recall** (see CORRECTIVE ACTION), they are instructed to contact their local Acura dealer for the repair.

For any questions or concerns clients may have, you may have them contact American Honda's Customer Support & Campaign Center at **1-888-234-2138**.

The following suggested text should be included on any repair order for an already sold affected vehicle that comes in for service. This information should be printed out completely any time service is conducted on an affected vehicle, and the recall repair has not yet been completed. Depending on parts availability, the normal procedures under DOM 7.2.1 will apply for this recall.

Suggested Verbiage to be Included on the Repair Order

Client was advised that:

The vehicle is subject to a recall affecting the fuel pump motor. The parts necessary to complete the recall repair are currently limited. Vehicles with eligible VINs and the following symptoms: difficulty starting, engine hesitation while driving, and/or an illuminated check engine light displayed with DTC P0087, are eligible for immediate repair. Once parts repair kits are available, if the vehicle has not been repaired, the registered owner of the vehicle will receive a notice to bring the vehicle in for a replacement of the components, regardless of symptom.

CLIENT INFORMATION: The information in this bulletin is intended for use only by skilled technicians who have the proper tools, equipment, and training to correctly and safely maintain your vehicle. These procedures should not be attempted by "do-it-yourselfers," and you should not assume this bulletin applies to your vehicle, or that your vehicle has the condition described. To determine whether this information applies, contact an authorized Acura automobile dealer.

IMPORTANT NOTICE

Vehicles that are **both** shown as an eligible VIN and experiencing any of the following symptoms will be **prioritized** for repair: difficulty starting, engine hesitation while driving, and/or an illuminated check engine light displayed with DTC P0087 (Fuel Rail Pressure Too Low) stored.

CORRECTIVE ACTION

Do an iN VIN status inquiry to make sure the vehicle is shown as eligible. If the allocated parts are available, follow the REPAIR PROCEDURE to replace the fuel pump motor. A limited number of parts have been allocated and will continue to be allocated based on availability at this time.

In the event that parts **are not** available, the **STOP SALE** remains in effect for that vehicle. To see if a vehicle in inventory is affected by this **safety recall**, do a VIN status inquiry before selling it. Some vehicles affected by this campaign may be in your new or used vehicle inventory.

PARTS INFORMATION

NOTE:

- Refer to the Parts Information Bulletin B24-0013, *Multi-Model Fuel Pump Motor Safety Recall Parts Availability*, for details regarding parts availability and ordering.
- Prioritize repairing client vehicles that meet both the VIN status eligibility **and** exhibit a known symptom such as: difficulty starting, engine hesitation while driving, and/or an illuminated check engine light with DTC P0087 (Fuel Rail Pressure Too Low).

Part Name	Part Number	Quantity
Fuel Tank Unit Kit	06177-T6N-316	1

For dealers experiencing a strong fuel smell from storing a fuel tank unit replaced under this service bulletin, the fuel tank unit may be disposed of immediately in accordance with local regulations. This only applies to the fuel tank unit replaced under this service bulletin. The published retention policy remains in effect for all other parts.

If you have any questions about this exception or other parts retention issues, contact the WPI Administrative Office at 937-642-2737.

REQUIRED MATERIALS

Part Name	Part Number	Quantity
Acura Long-Life Antifreeze/Coolant Type 2	OL999-9011A	4
Acura Gear Oil GO-Type	08200-9018A	2

TOOL INFORMATION

Part Name	Tool Number	Quantity
Fuel Pump Module Locknut Wrench	07AAA-SNAA100 or 07AAA-SNAA101	1
Tank Removal Adapter	07AAK-T6NA300	1
Powertrain Lift Table *OTCHON52200 and OTCHON52200A requires Lift Table Spacer Set.	OTC1595 or OTCHON52200* or OTCHON52200A*	1
Lift Table Spacer Set (Only required if using Powertrain Lift table OTCHON52200A or OTCHON52200)	07AAK-T6NA210	1
Arm Holder	07AAB-T6NA400	1
Brake Disc Covers (set of 4)	07AAZ-T6NA800	1
Hose Plug Set	07AAZ-T6NA600	1
Fender Covers	07AAZ-T6NA200	1
Lug Nut Cap Removal Tool	07AAC-T6NA100	1
Wheel Stud Guide Pins (set of 2)	07AAB-T6NA200	1

WARRANTY CLAIM INFORMATION

Operation Number	Description	Flat Rate Time	Defect Code	Symptom Code	Template ID	Failed Part Number
3101EH	Replace the fuel tank module (Includes alignment).	9.5 hr	6FE00	QGP00	B24010A	17045-T6N-A01

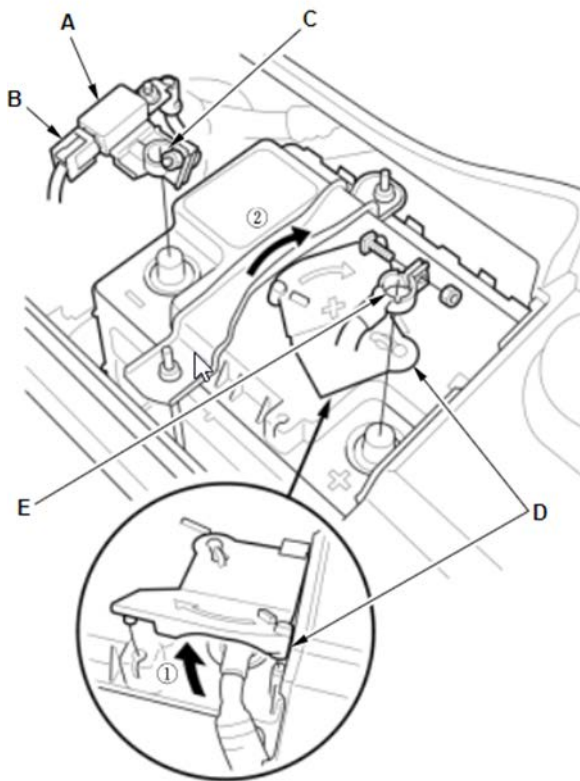
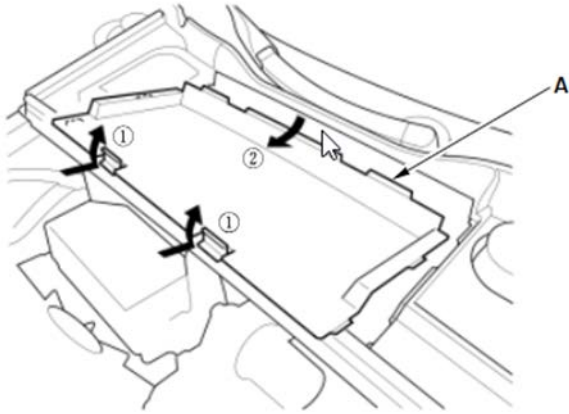
REPAIR PROCEDURE

WARNING

Fuel tank unit removal exposes fuel, which can ignite, causing a fire or explosion. This can cause serious injury or death. Always work in a well-ventilated area and keep sparks or open flames away.

1. Set the vehicle on the lift. Refer to the service information.
2. Move the driver's seat all the way forward.
3. Protect and cover the body panels surrounding the engine compartment.
4. Relieve the fuel pressure. Refer to the service information.
NOTE: Go to the procedure under Direct Injection Fuel Line and Port Injection Fuel Line.
5. Disconnect the 12-volt battery:

6. Remove the 12-volt battery access cover in the numbered sequence shown.

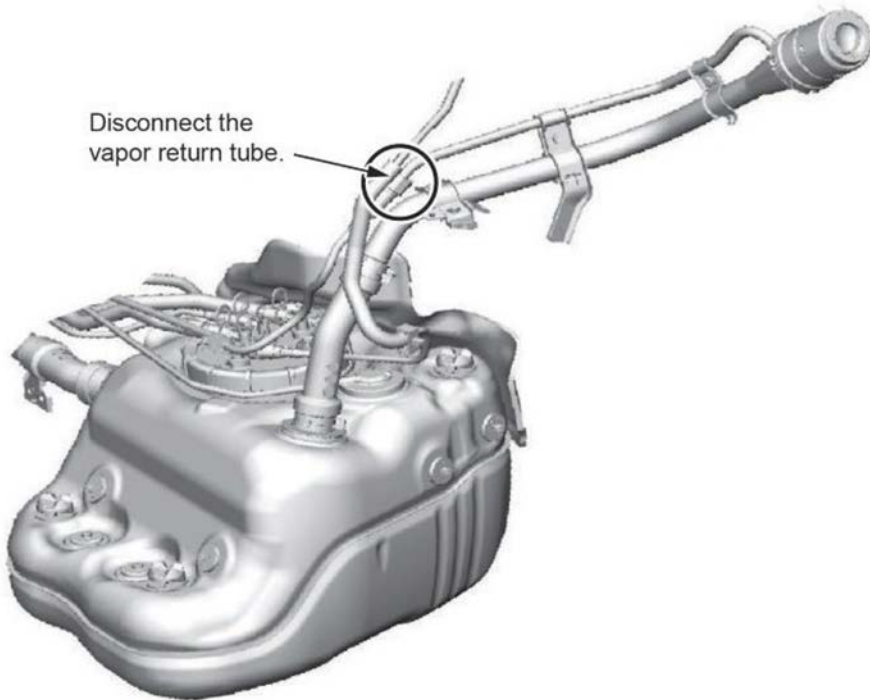


- Make sure the vehicle is in the OFF (LOCK) mode.
- Disconnect and isolate the negative cable with the 12-volt battery sensor from the 12-volt battery.

NOTE: Always disconnect the negative side first.

- To protect the connector from damage, do not hold it when removing the terminal.
- Do not disconnect the 12-volt battery sensor from the cable.
- Open the terminal cover in the numbered sequence shown.
- Disconnect the terminal from the 12-volt battery.

7. Remove the engine compartment covers. Refer to the service information.
8. Remove the driver's side air cleaner assembly. Refer to the service information.
9. Disconnect the fuel vapor return tube (located below the removed driver's air cleaner assembly).

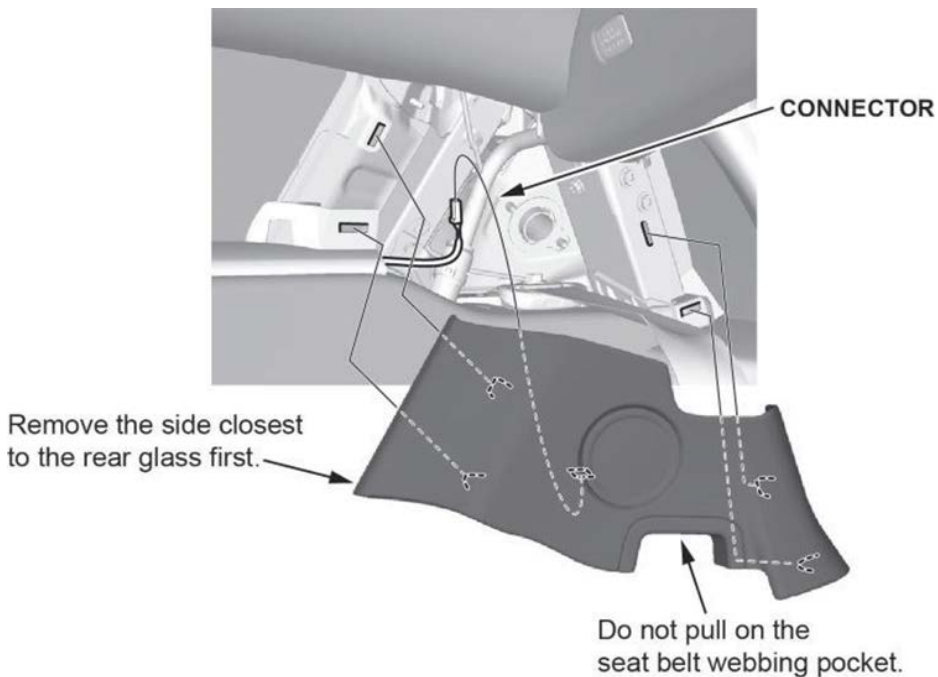


10. Turn off the service plug:
 - Remove the lower portion of the driver's door seal. Refer to the service information.

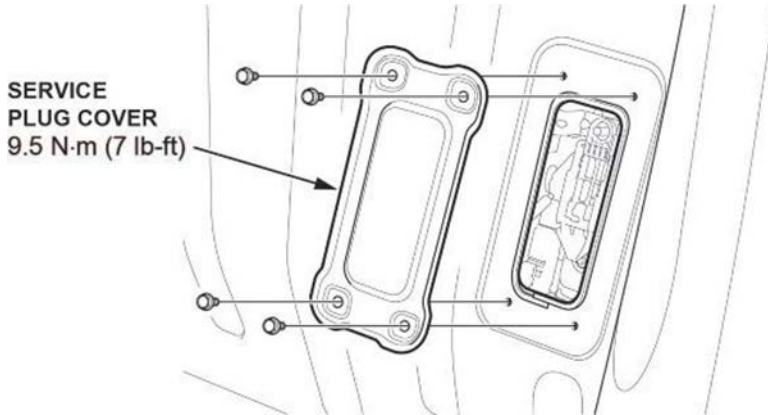
NOTE: Do not completely remove the driver's door seal.

- Remove the driver's C-pillar trim.

NOTE: To avoid damage when removing the C-pillar trim, make sure you detach it from the outer edge near the rear glass and not at the seat belt webbing pocket.



- Remove the driver's rear side trim panel. Refer to the service information.
- Pull the rear bulkhead carpet up to access and remove the service plug cover.



- Remove the service plug. Refer to the service information.

11. Raise the vehicle.

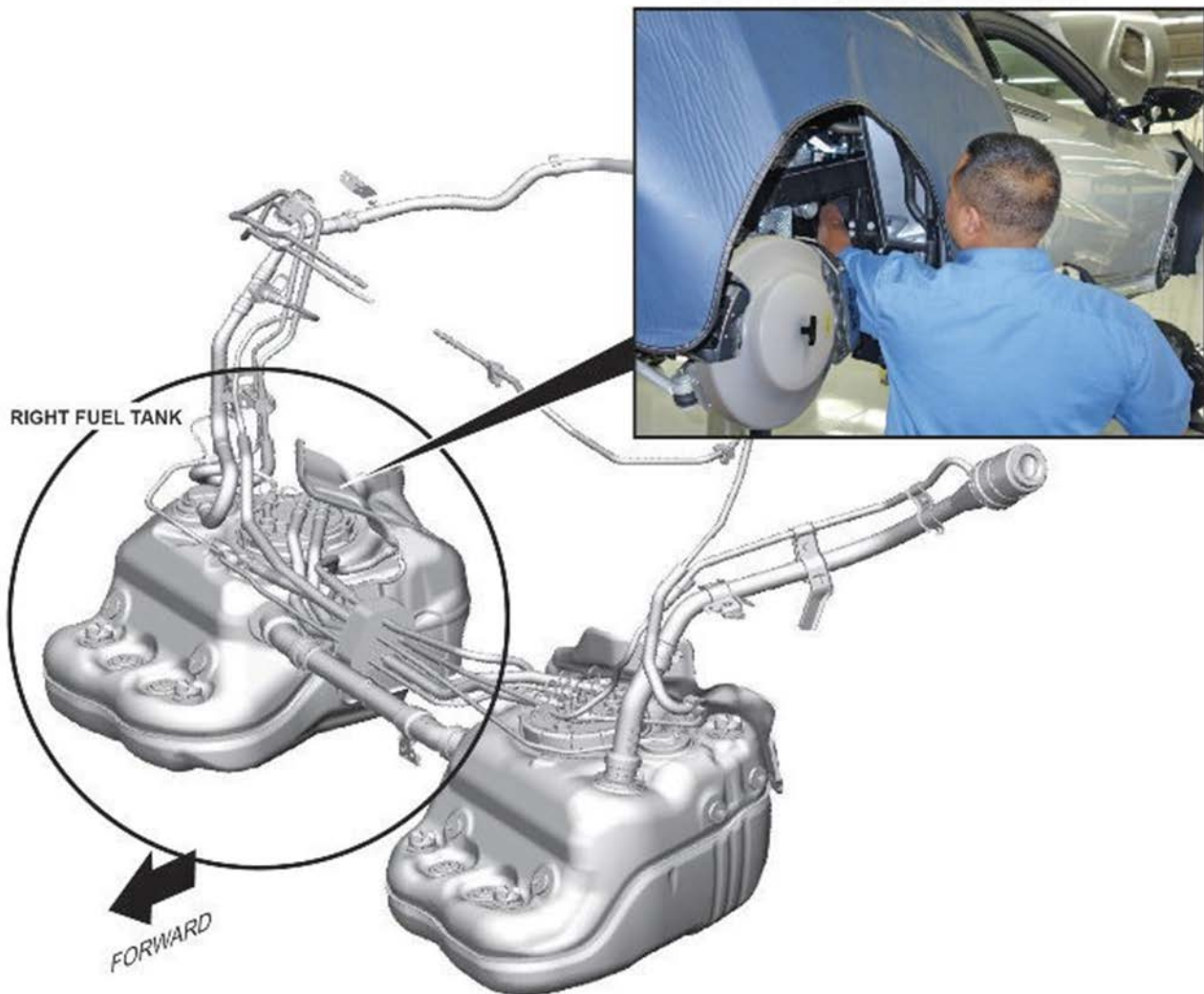
12. Remove the rear wheels and install the brake disk cover.

NOTE: Make sure the brake discs do not get damaged.

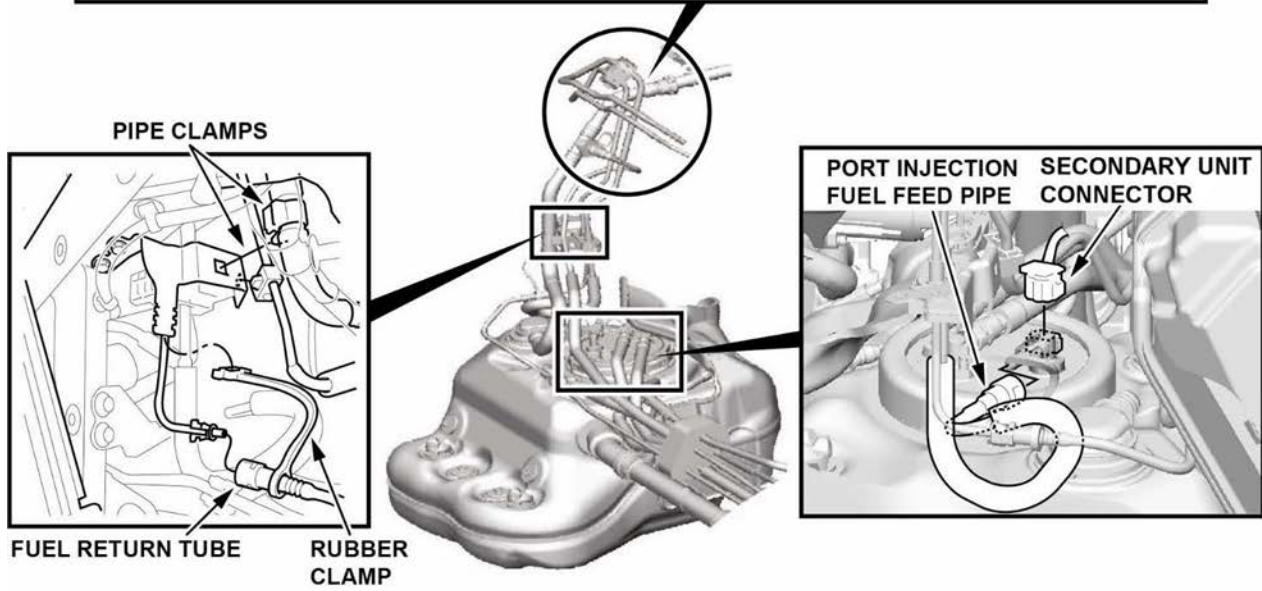
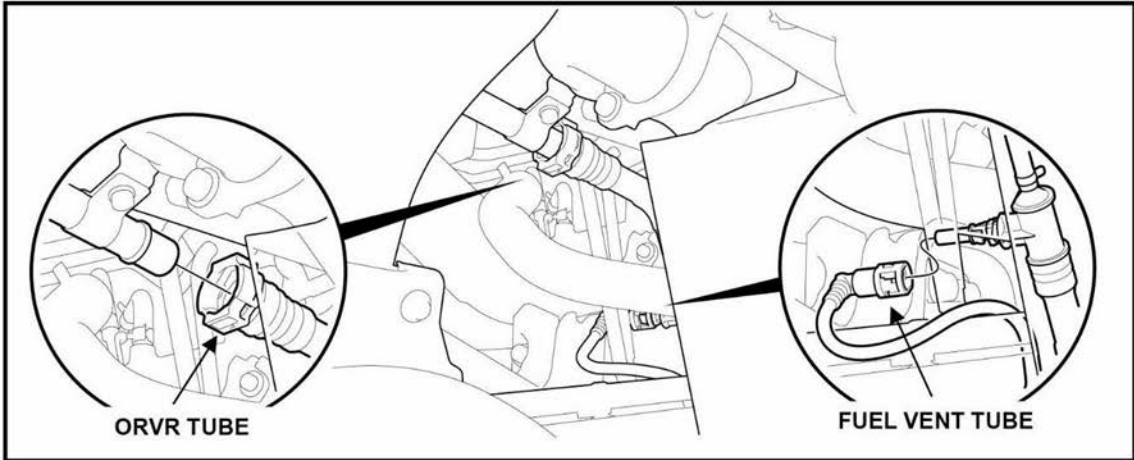
13. Remove the left and right inner fender liners. Refer to the service information.

14. On the passenger side rear wheel well, disconnect the following:

Reach through the right rear wheel well to access the right fuel tank connections.



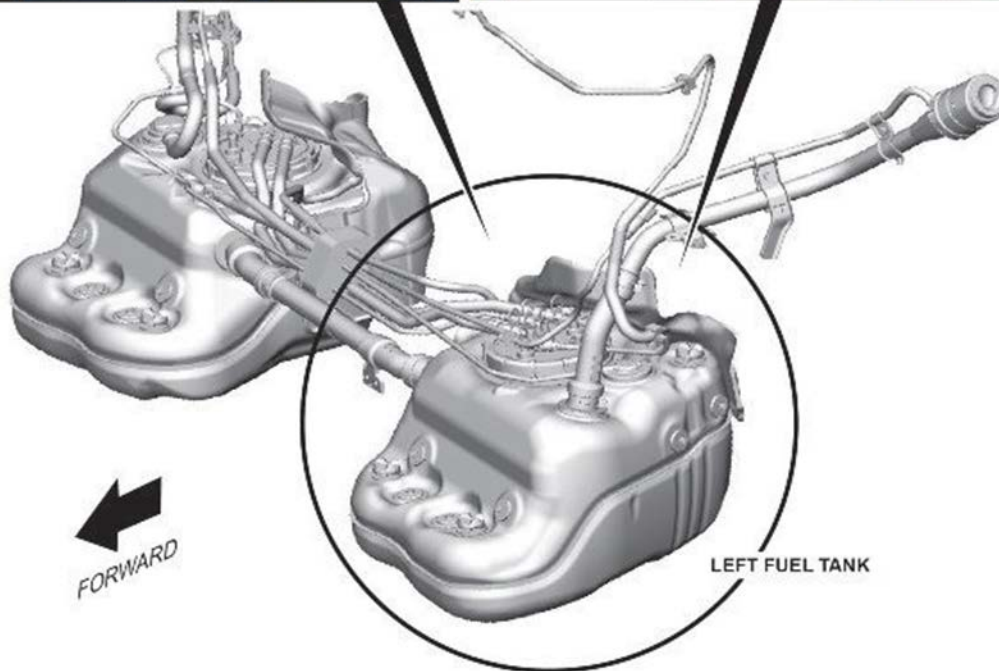
- ORVR tube
- Fuel vent tube
- Port injection fuel feed pipe
- Secondary unit connector
- Fuel return tube with rubber clamp
- Pipe clamps



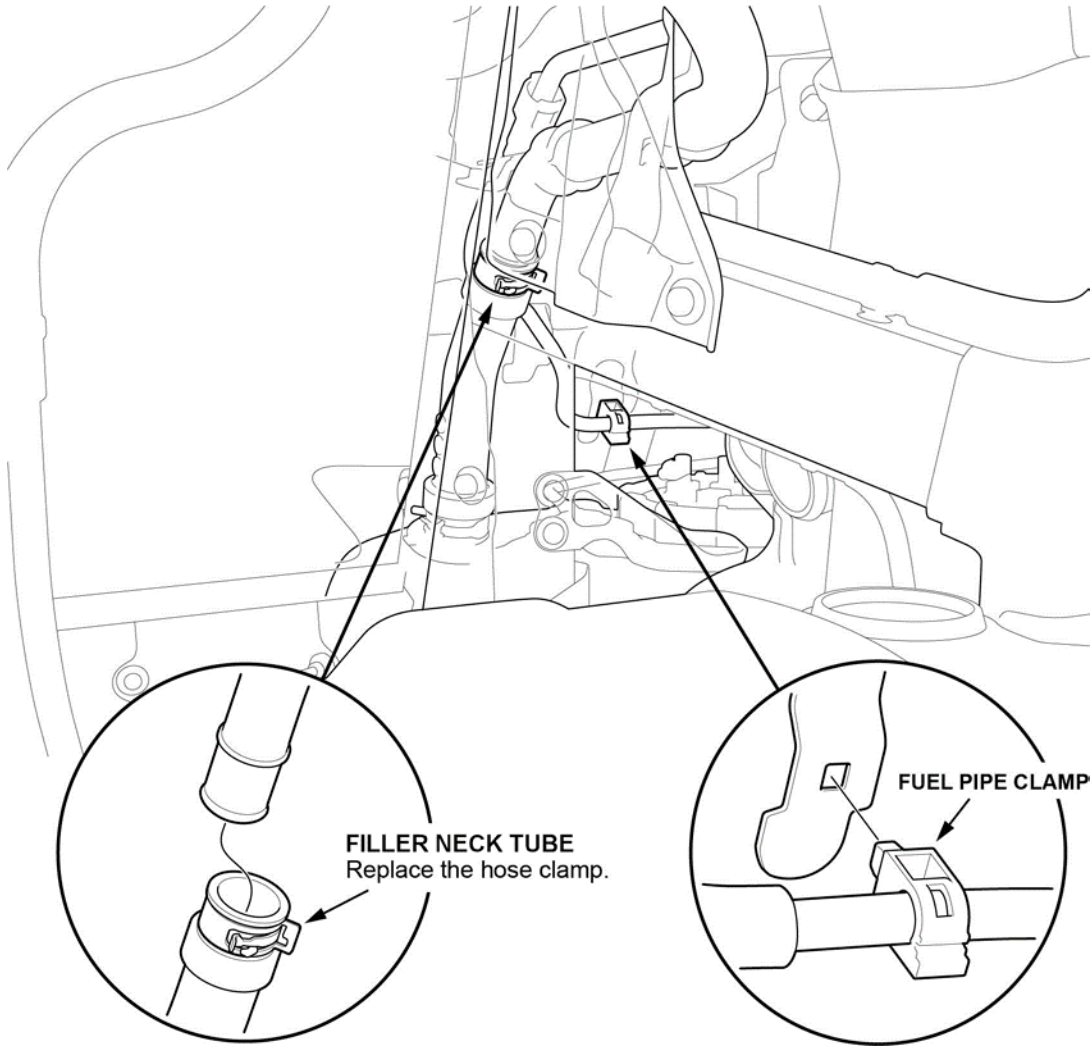
15. On the driver's side rear wheel well, do the following:

- Disconnect the fuel tank unit connectors.

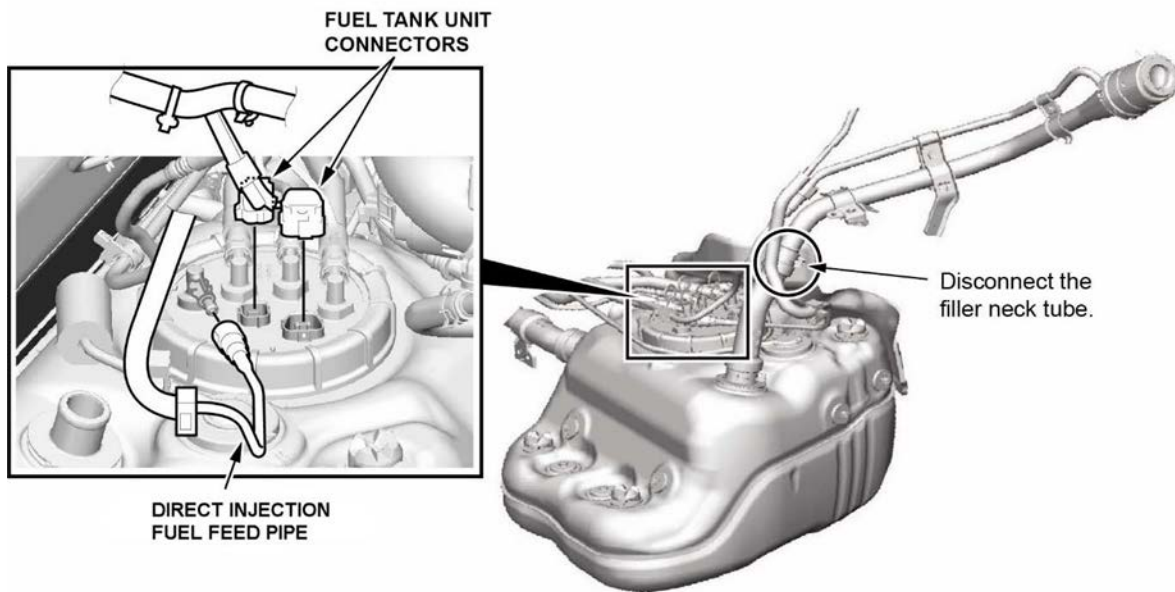
Reach through the left rear wheel well and the engine compartment to access the left fuel tank connections.



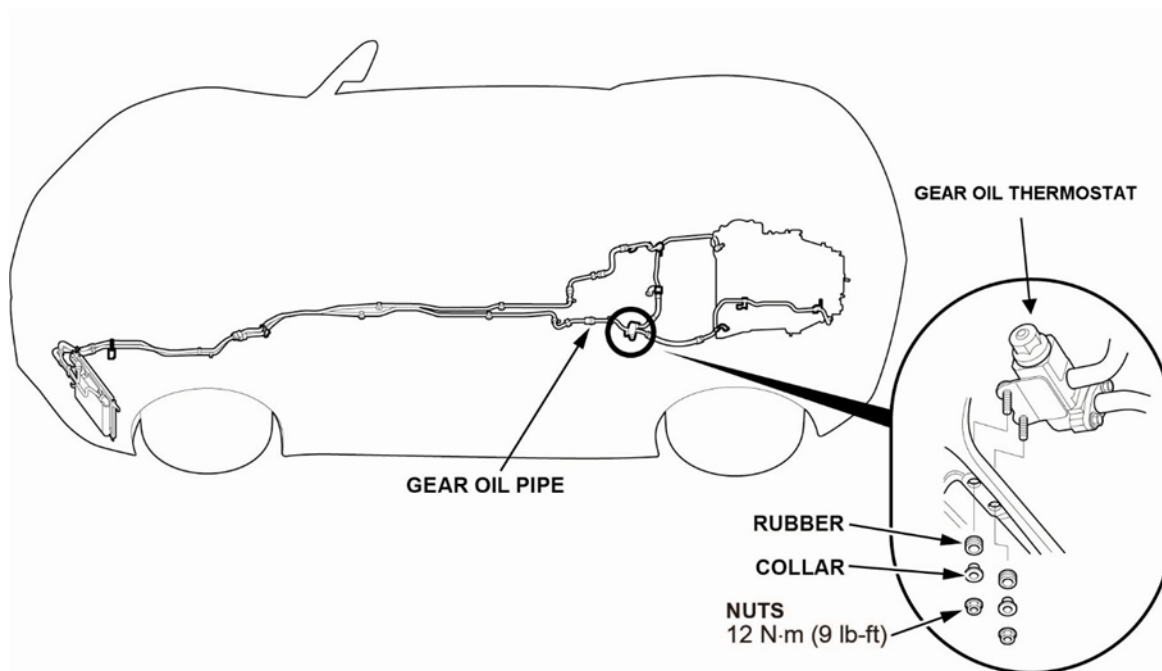
- Disconnect the filler neck tube. Replace the hose clamp during installation.
- Disconnect the fuel pipe clamp from the bracket but do not remove the clamp from the pipe.



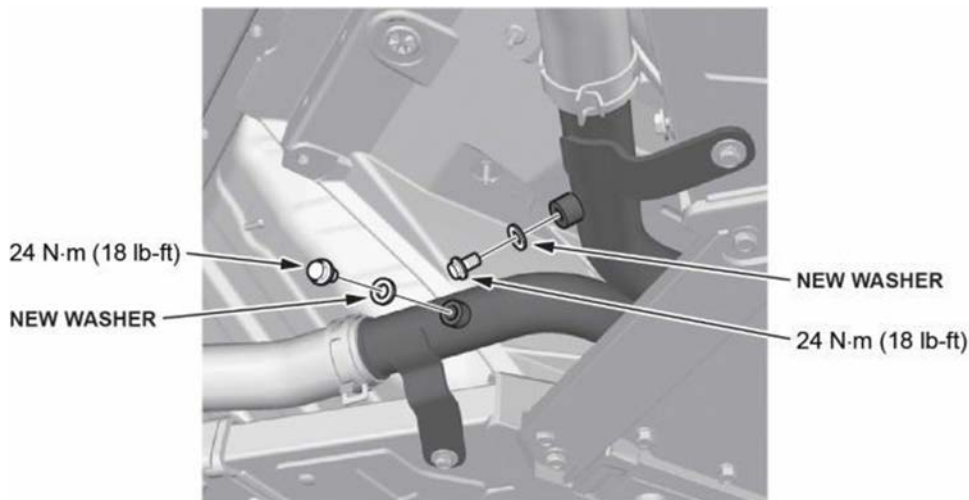
- Disconnect the direct injection fuel feed pipe to the fuel tank unit.



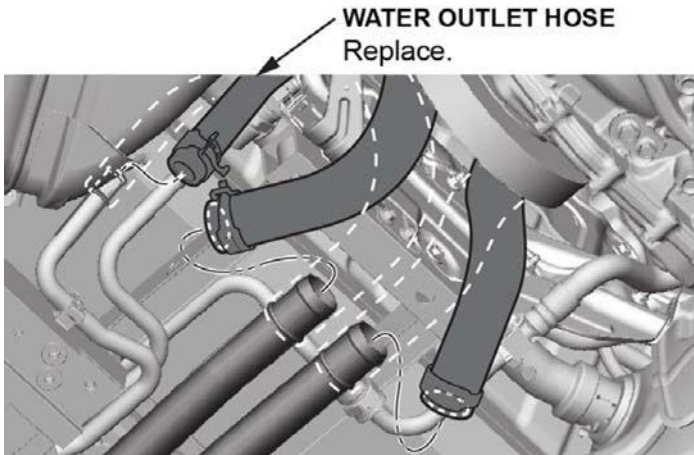
16. Remove the engine undercover. Refer to the service information.
17. Remove the (rear) center tunnel reinforcement. Refer to the service information.
18. Remove the two-gear oil thermostat housing fasteners.



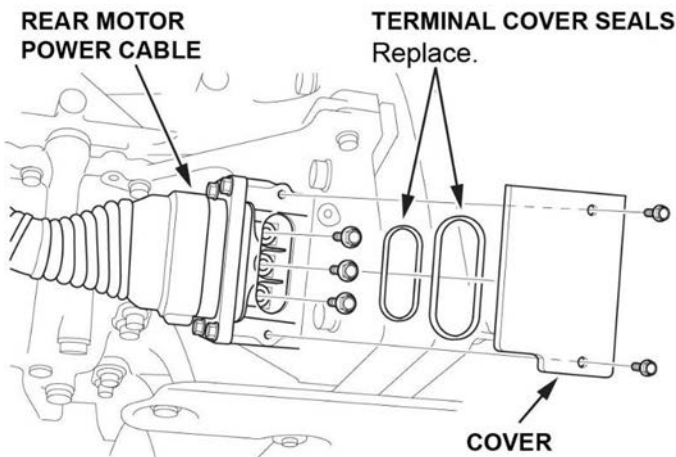
19. Remove the (front) rear subframe. Refer to the service information.
NOTE: Pay attention to the bolt length and locations.
20. Drain the engine coolant only from the water pipe underneath the vehicle.
NOTE: After the coolant has drained, install the drain bolts with new washers included in the kit.



21. Disconnect the water hoses from the center pipes, and cap off the ends. Replace the water outlet hose during installation.



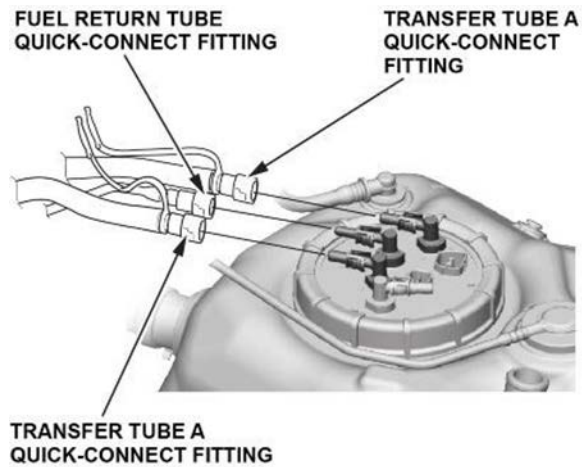
22. Disconnect the two gear oil lines in the center tunnel. Refer to the service information.
23. Disconnect the coolant heater hose, and cap it off.
24. Disconnect the rear motor power cable. Replace the terminal cover seals during installation. Refer to the service information.



25. Remove the rear bulkhead upper brace, rear bulkhead lower brace, and fuel pipe separator bracket. Refer to the service information.
26. Remove the crossover pipe bracket bolts. Refer to the service information.
27. Remove the fuel tank separator braces. Refer to the service information.
28. Place the tank removal adapter and the powertrain lift table under the fuel tank assembly. Refer to the service information.
29. Remove the fuel tank strap bolts.
30. Slightly lower the fuel tank assembly. On the passenger side tank, reach over and disconnect the fuel return tube.
31. Completely lower the fuel tank assembly, making sure none of the remaining hardlines and hoses get snagged.

32. Place a rag or shop towel over the quick-connect fittings and disconnect them.

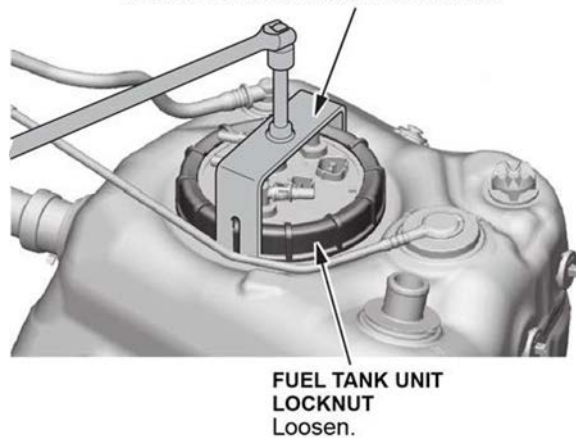
NOTE: This repair is for the fuel pump on the fuel tank unit (driver's side), not the secondary fuel gauge sending unit (passenger's side).



33. Loosen the fuel tank unit locknut using the Fuel Pump Module Locknut Wrench (T/N 07AAA-SNAA100 or 07AAA-SNAA101), then remove it.

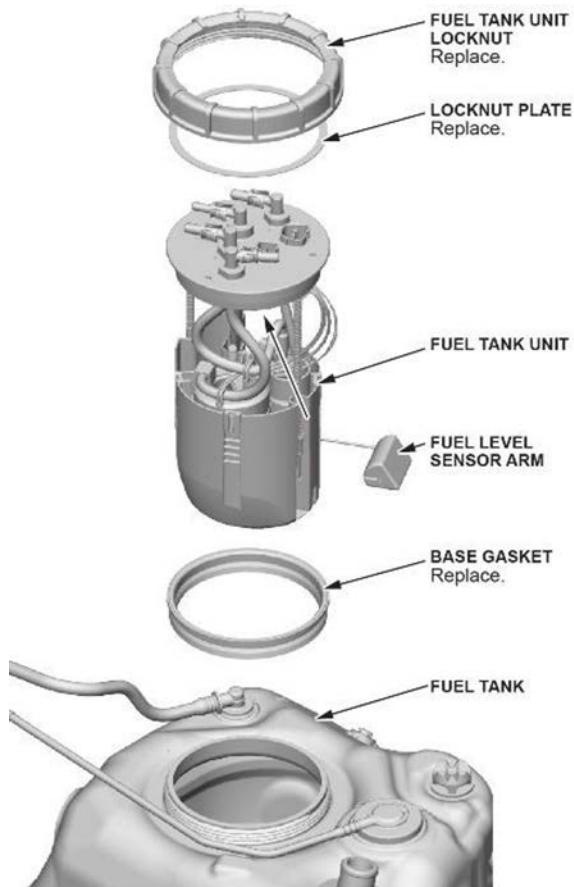
NOTE: Have an assistant help if needed.

FUEL PUMP MODULE LOCKNUT WRENCH
07AAA-SNAA100 or 07AAA-SNAA101



34. Remove the fuel tank unit.

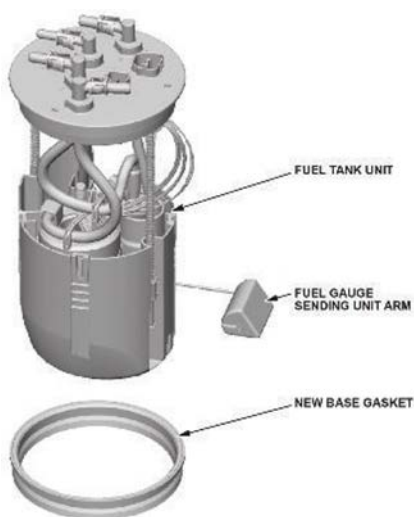
NOTE: Make sure not to bend or twist the fuel level sensor arm excessively.



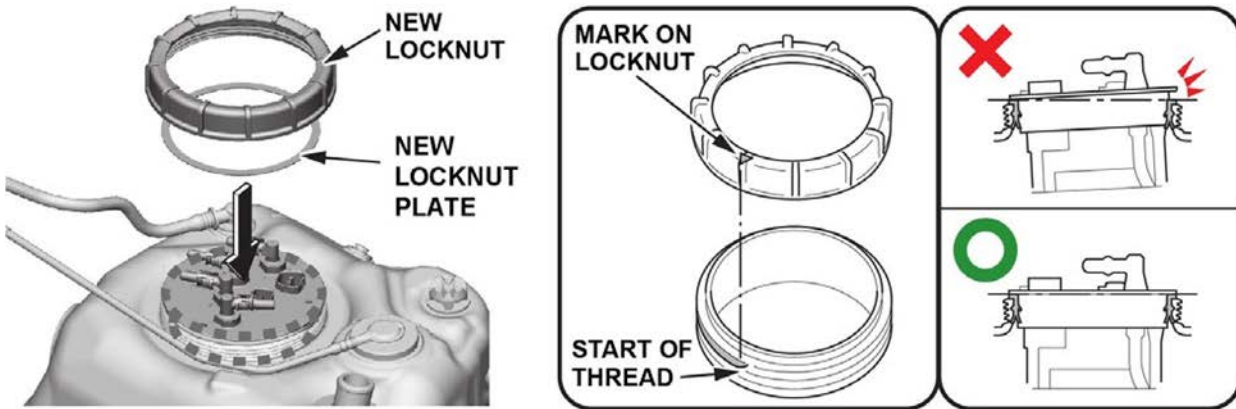
35. Partially insert the new fuel tank unit into the fuel tank with a new base gasket.

NOTE:

- Be careful not to damage the new base gasket.
- Do not coat the base gasket with any oil.
- Make sure not to bend or twist the fuel level sensor arm excessively.



36. Line up the mark on the fuel tank locknut to the start of the thread as shown. Then, partially install the fuel tank unit locknut with a new locknut plate by hand.



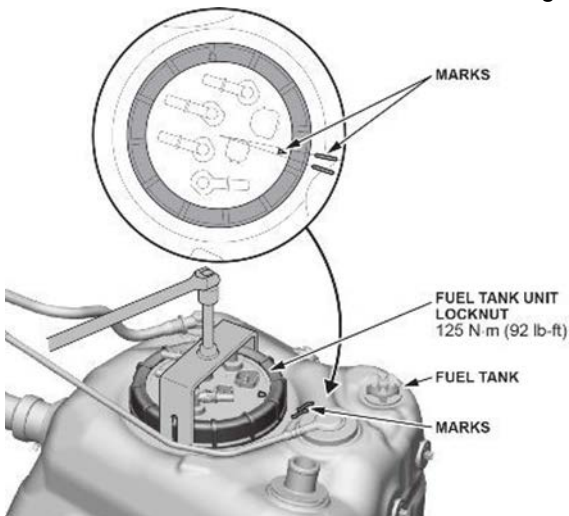
37. Tighten the fuel tank unit locknut to the specified torque.

NOTICE

If the locknut is not properly installed, the fuel tank can be damaged and will require replacement.

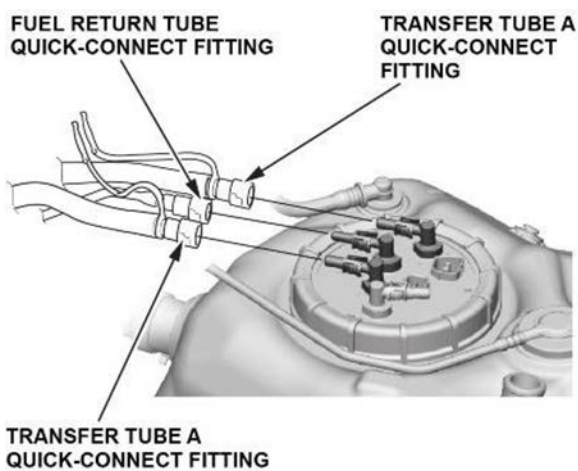
NOTE:

- Have an assistant help if needed.
- After tightening, make sure the marks are still lined up.
- To avoid a fuel leak, make sure the base gasket is not pinched.



38. Install new retainers to the fuel line quick-connect fittings.

39. Connect the fuel line quick-connect fittings.

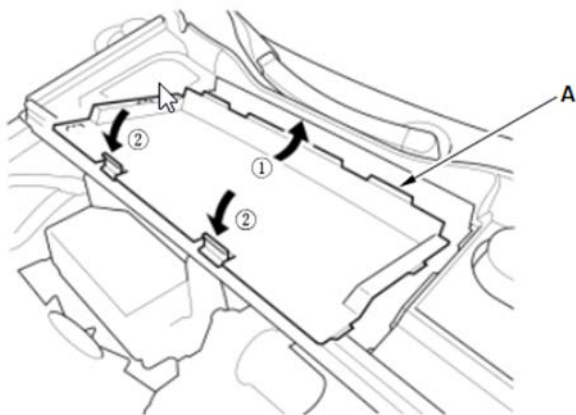


40. Install the fuel tank assembly to the vehicle and install the parts in the reverse order of removal.

41. Connect the 12V battery **4.4 N·m (3.2 lb-ft)**:

- Clean the 12-volt battery terminals.
- Connect the terminal to the 12-volt battery.
- NOTE: Always connect the positive side first.
- Connect the cable and the 12-volt battery sensor to the 12-volt battery.
- NOTE: To protect the connector from damage, do not hold it when installing the terminal.
- Apply multipurpose grease to the terminals to prevent corrosion.
- Close the terminal cover in the numbered sequence shown.

42. Install the 12-volt battery access cover in the numbered sequence shown.



NOTE: Make sure that the 12-volt battery access cover is installed correctly and fully seated. Failure to do so will affect A/C performance.

43. Top off the transmission fluid, and make sure to use a new washer on the filler plug. Refer to the service information.

44. Fill the coolant, and air bleed the system. Refer to the service information.

45. Do the Forced PI Idling Mode procedure to bleed the PI fuel line. Refer to the service information procedure How to Enter PGM-FI System Maintenance Mode.

46. *2019 and 2020 Models Only*: Do the A/F Sensor Learn procedure. Refer to the service information.

47. Do an alignment check and adjust as needed.

48. After adjusting the wheel alignment, do the VSA sensor neutral position memorization.

NOTE: The fuel tanks must be fully fueled when doing an alignment. Also, be sure to follow the pre-alignment checks. Refer to the service information.

49. California residents only: Fill out a Vehicle Emissions Recall – Proof of Correction certificate and use **QGP** as the recall number. Have the service consultant give the certificate to your client and advise him or her to keep it as proof that the recall was completed. Your client will need to submit this certificate to the DMV only if the DMV requests it. If you need more certificates, use reorder number Y0657.

Vehicle Emission Recall - Proof of Correction																								
License Number	Make	Year Model	Body Type	Vehicle Identification Number																				
				<table border="1"><tr><td></td><td></td><td></td><td></td><td></td><td></td><td></td><td></td><td></td><td></td><td></td><td></td><td></td><td></td><td></td><td></td><td></td><td></td><td></td><td></td></tr></table>																				
Manufacturer _____			Recall Number QGP																					
The above described vehicle has been repaired, modified and/or equipped with emission control devices to meet applicable California Emission Control Laws.																								
Dealer's Name _____		Address, City, State and Zip _____																						
Date _____	Dealership's Authorized Signature _____																							
Return this certificate to DMV only when required - otherwise retain for your records.																								

Y0657 ACL 24832 (0212)