



PREVOST

SAFETY RECALL

SR23-43

DATE :	January 2024	SECTION :	23 ACCESSORIES
SUBJECT:	PREVOST DRIVER ASSIST – VERIFICATION OF ACB RADAR SENSOR FRONT BUMPER TRIM		

First Release

mm-jj-aaaa

APPLICATION

NOTICE TO SERVICE CENTERS	
<i>Verify vehicle eligibility by checking warranty bulletin status with SAP or via ONLINE WARRANTY SYSTEM available on Service / Warranty tab of PrevoSt website.</i>	
Model	VIN
H3-45 coaches Model Year: 2023 - 2024	
H3-45 VIP motorhomes Model Year: 2022 - 2024	[REDACTED]
This Safety Recall does not necessarily apply to all the above-mentioned vehicles. Some vehicles may also have been modified before delivery. The owners of the vehicles affected by this recall will be advised by a letter indicating the Vehicle Identification Number (VIN) of each vehicle concerned.	

DESCRIPTION

On vehicles equipped with an ACB radar sensor (PrevoSt Driver Assist option), an incorrect front bumper trim may have been installed. If this is the case, order the appropriate front bumper trim which should include an opening for the radar sensor and install as per PART 2 of this bulletin.

MATERIAL

Part that may be required:

Part No.	Description	Qty
410025	FRONT BUMPER TRIM WITH OPENING (equipped with ACB radar sensor)	1

NOTE

Material can be obtained through regular channels.

SAFETY PRECAUTIONS

- Eye protection should always be worn when working in a shop.
- Rules for Personal Protection Equipment should always be respected. Wear your PPE including but not limited to the following:



Safety First!



PROCEDURE



DANGER

Park vehicle safely, apply parking brake, stop the engine. Prior to working on the vehicle, set the ignition switch to the OFF position and trip the main circuit breakers equipped with a trip button. On Commuter type vehicles, set the battery master switch (master cut-out) to the OFF position.

Lockout & Tag out (LOTO) must be performed during set-up, maintenance or repair activities. Refer to your local procedure for detailed information regarding the control of hazardous energy.

PART 1 – VERIFICATION

1. Vehicles equipped with the ACB radar sensor should have a cutout on the front bumper trim as seen on the image below.

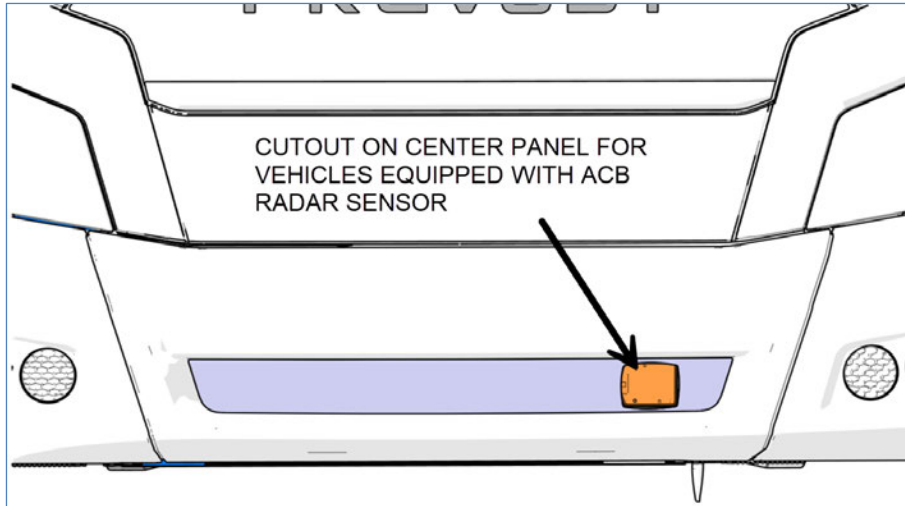


Figure 1: VEHICLE EQUIPPED WITH ACB RADAR SENSOR

2. Open the reclining bumper. Confirm your vehicle is equipped with the ACB radar sensor.

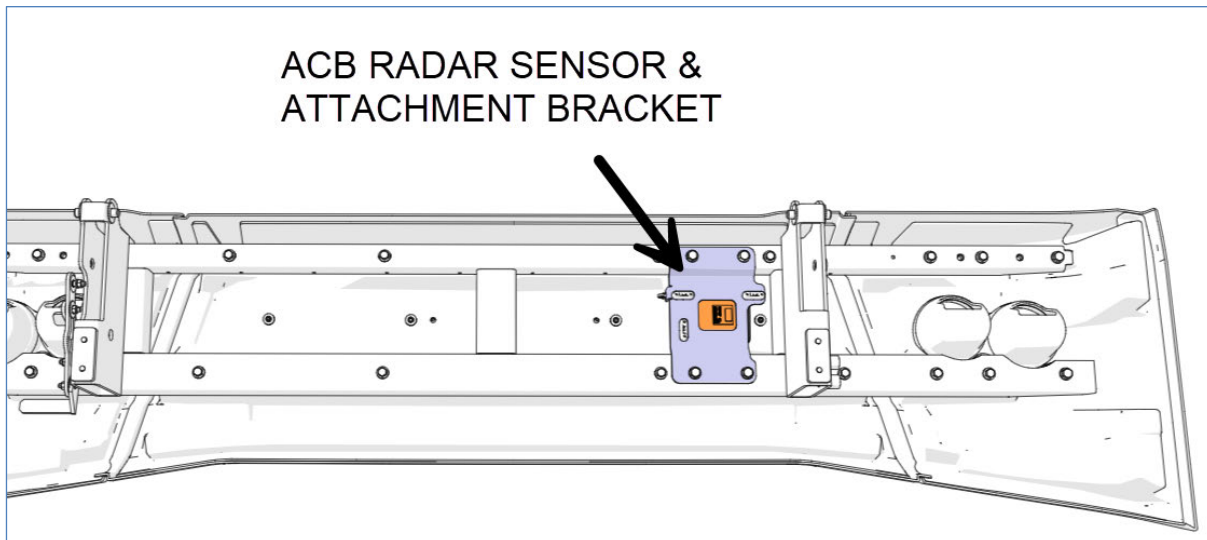


Figure 2: VEHICLE EQUIPPED WITH ACB RADAR SENSOR

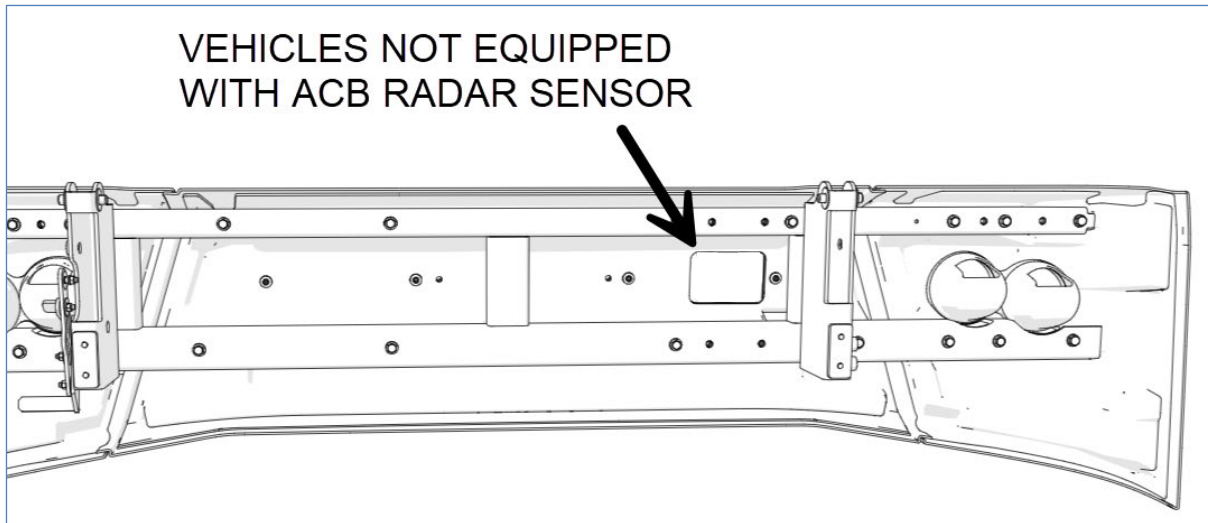



Figure 3 : VEHICLE NOT EQUIPPED WITH ACB RADAR SENSOR

3. If the front bumper trim installed on your vehicle **is** the appropriate one, no further steps are required. This completes the bulletin.
4. If the front bumper trim installed on your vehicle **is not** the appropriate one, perform PART 2 - FRONT BUMPER TRIM REPLACEMENT.

PART 2 – FRONT BUMPER TRIM REPLACEMENT

1. Order a front bumper trim fitted with a cutout for ACB radar sensor.

Part No.	Description	Qty
410025	FRONT BUMPER TRIM WITH OPENING (equipped with ACB radar sensor)	1



2. Remove the existing bumper trim. To do so, using a 10 mm hex socket, unscrew the four (4) bolts identified on the following image. Keep bolts and washers for reinstallation. Return incorrect bumper trim to Prevost.

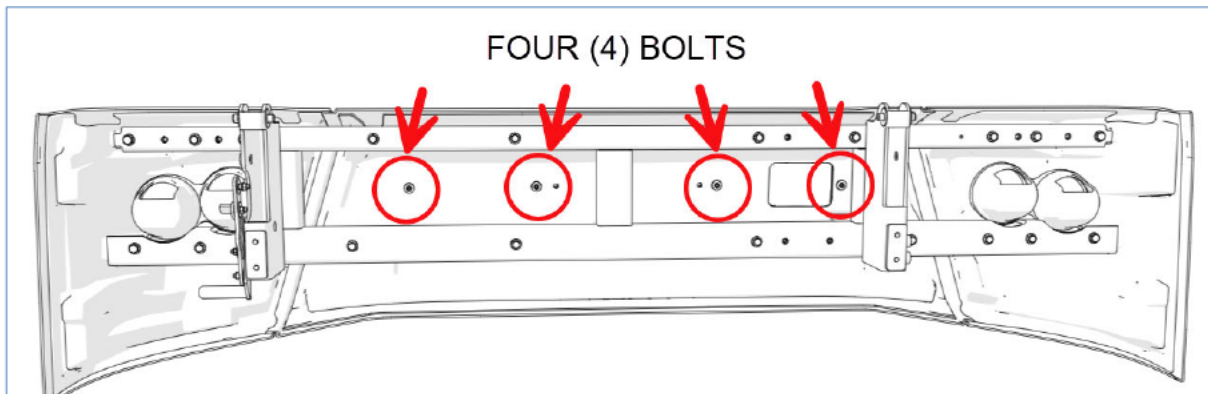


Figure 4

3. Install the new bumper trim similarly.

PARTS DISPOSITION

All replaced parts must be returned to Prevost according to the Return Shipping Instructions available on <https://www.prevostcar.com/content/warranty-documents> for full reimbursement. A copy of the warranty claim form must be enclosed with the shipment.

WARRANTY

This modification is covered by Prevost's normal warranty. We will reimburse you the part and labor upon receipt of a of a warranty claim **and the replaced bumper trim** as follows:

PART 1 VERIFICATION only

1/4 hour(s) (0.25 h) of labor for the inspection of the front bumper trim.

PART 1 & PART 2 – VERIFICATION & REPLACEMENT

The part involved and 1/2 hour(s) (0.5 h) of labor for the inspection and replacement of the front bumper trim.

Please submit claim via our Online Warranty System, available at www.prevostcar.com (under service \ warranty section). Use Claim Type: "Bulletin/Recall" and select "Safety Recall OBSR23-43".

Should you only wish to close the safety recall (without reimbursement), fill-in the "Safety Recall Certification Sheet" provided with this bulletin and return it to our warranty department by Email at prevost.warranty@volvo.com or by fax at 418-831-9301.

OTHER

VBC Bulletin	N/A
Fail Code	23.02
Defect Code	09
Syst.Cond	R
Causal Part	410025

Access all our Service Bulletins on <http://techpub.prevostcar.com/en/> or scan the QR-Code with your smart phone.
E-mail us at technicalpublications_prev@volvo.com and type "ADD" in the subject to receive our warranty bulletins by e-mail.



