



Thor Motor Coach Recall Repair Instructions

Recall #	23v-759 & 2023-621		
Description/Title:	Rize and Scope Solar Panels		
Affected Product Line(s):	Certain model year 2021 – 2024 Rize and Scope motorhomes		
Service Campaign # :	RC000298	Released Date:	1/10/2024
Repair Code:	Inspect: TMCRC80511Y Repair: TMCRC80511V	Document Date:	1/9/2024
Time Allowed:	Inspection .2 Repair .5	Document Revision:	A

Issue:

It has been discovered that on certain model year 2021 – 2024 Rize and Scope motorhomes that the solar panel mounts may fracture. The hardware used to mount the solar panel to the roof brackets may be missing the washers on the bolts at each of the four brackets.

Inspection:

1. Inspect to determine solar panel type. If the coach has a flexible adhesive mounted solar panel, stop, this recall does not apply. Apply for reimbursement of inspection only.
2. If the coach has a hard aluminum frame, inspect the solar panel bracket hardware for the existence of the washers, and to observe if the aluminum panel around the bolts show any signs of fracture. Proceed to repair instructions.

Repair:

1. If the aluminum frame does not show signs of fracture, two washers are to be installed at each of the four brackets as shown in Fig. 4-A
2. If the solar panel does show signs of fracture, replace the panel, as well as add the washers to the hardware. You will need to determine if you have a 190 watt or 200 watt solar panel and order through Thor Motor Coach’s parts department.



Thor Motor Coach Recall Repair Instructions

Tools:

7/16 open end wrench
7/16 socket wrench

Parts:

Eight ¼ inch stainless steel washers (local shop supplies)
TMC Part # 0520763 - GP-PV-200M Solar panel (if needed in step #2)
TMC Part # 0432779 - GP-PV-190M Solar panel (if needed in step #2)

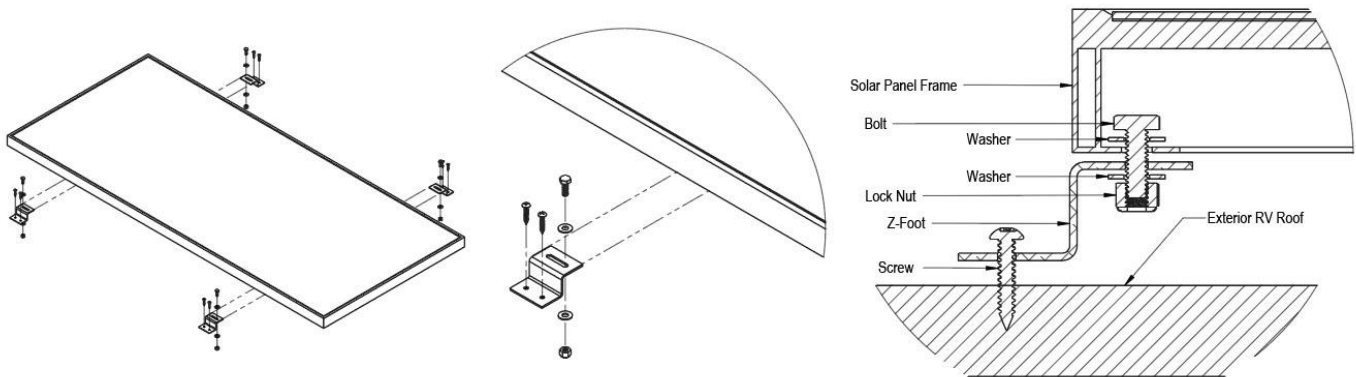


FIGURE 4-A: SOLAR PANEL INSTALLATION DETAILS

Thor Motor Coach
1-877-500-1020

NHTSA Recall # 23v-759

Transport Canada Recall # 2023-621