



**NHTSA: 23V-745**  
**Transport Canada: TC2023-598**  
**Winnebago Towable: CAM0000031**

Safety Recall:  
 MURPHY BED LATCHING MECHANISM

**Repair, Claim Preparation, and Filing Instructions**

Please submit a warranty claim pre-authorization using the following codes and labor times:

| <b>LABOR:</b> | <b>OPERATION CODE</b> | <b>LABOR ALLOWANCE</b> |
|---------------|-----------------------|------------------------|
|---------------|-----------------------|------------------------|

|                            |          |      |
|----------------------------|----------|------|
| <b>Remove and Replace:</b> | 44012201 | 0.30 |
|----------------------------|----------|------|

**PARTS:**

**281837 – Murphy Bed Latch Recall Kit**

Please follow attached repair instructions.

Submit all pre-authorizations and claims through the Dealer Portal. If there are any questions, please call our Warranty Team at 574-825-5250.

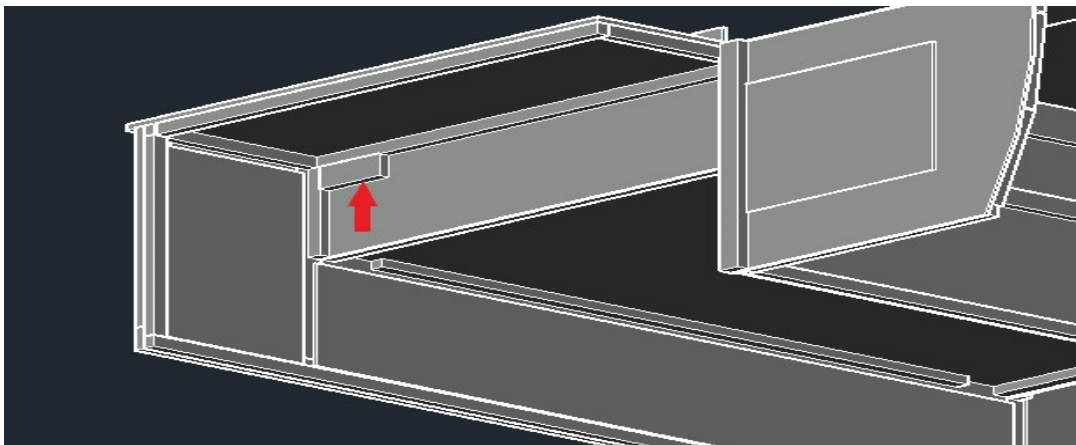
## Repair Instructions:

### MURPHY BED LATCHING MECHANISM

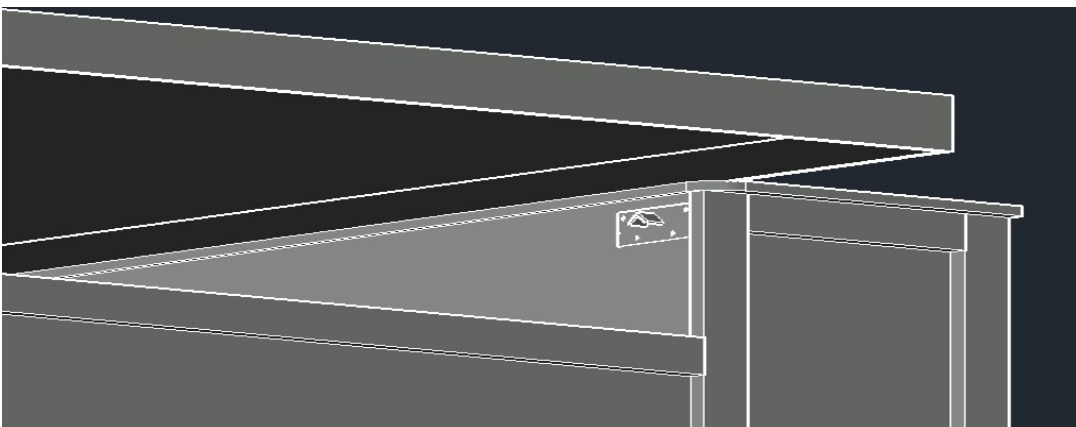
**Tools Needed: Cordless Drill, Tape Measure, Staples**

#### REPAIR INSTRUCTIONS:

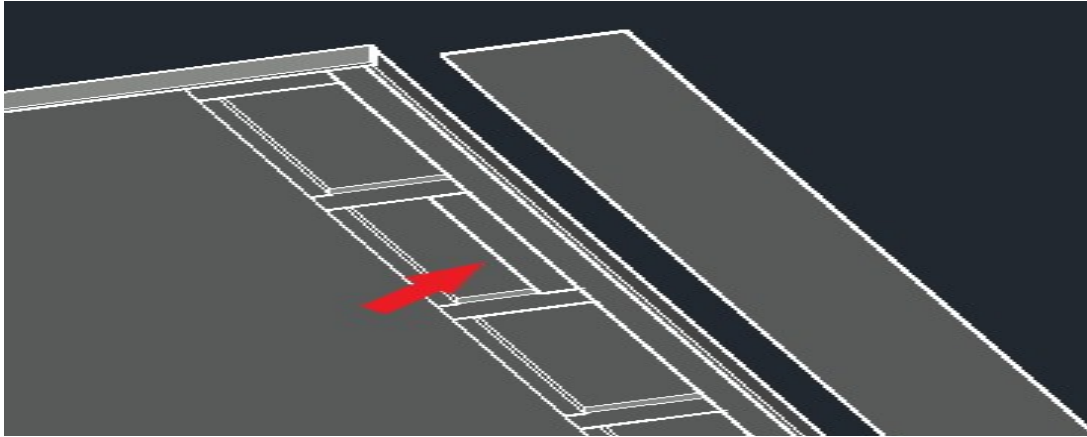
1. Remove button strap latch.
2. Affix included 2"x5" backer inside bedside cabinet, position to match diagram below.



3. Attach strike plate to backer location with included screws.



4. Remove 7" panel strip from bed platform and affix included 1 1/2"x 11 3/16" backer.



5. **Align striker side of latch to bed base and install with included screws. Staple panel back in place.**