

# R-BIKE REPLACING PLASTIC PARTS ON BICYCLE FIXING ARMS AND WHEEL FIXING STRAPS

<b>Recall Number:</b>	TBD		
<b>Product:</b>	R-Bike		
<b>Date:</b>	June 13, 2023	<b>Labor Rate:</b>	0.5 Hours

## Purpose

This document is intended to present and describe necessary modifications to be implemented on the bicycle fixing arms and wheel fixing straps used in R-Bike 81100, specifically the replacement of certain plastic components inside parts of the R-Bike bicycle rack. The aim of the material change is to improve the mechanical strength, replacing some components in red-orange PC-ABS by others made in black PA6 FV 15%.

## Safety

This document provides general instructions. Many variables can change the circumstances of any procedure, i.e. the degree of difficulty involved in the service operation and the ability level of the individual performing the operation. This document cannot begin to plot out procedures for every possibility, but will provide the general instructions for effectively installing, removing or servicing the system. In the event the skill level required is too advanced or the procedure too difficult, a certified technician should be consulted before performing the necessary operation. Failure to correctly install, remove or service the system may result in voiding the warranty, inflicting injury or even causing death.

### ⚠ WARNING

**The "WARNING" symbol above is a sign that a procedure has a safety risk involved and may cause death, serious personal injury, severe product and/or property damage if not performed safely and within the parameters set forth in this document.**

### ⚠ CAUTION

**The "CAUTION" symbol above is a sign that a procedure has a safety risk involved and may cause personal injury, product and/or property damage if not performed safely and within the parameters set forth in this document.**

## Replacement Kit Information

All necessary parts affected by the replacement will be supplied in the replacement kit and are shown in the following table.

R-Bike Replacement Kit# 2023030649		
Part Number	Description	Qty
2022012204	Short Arm (R-Brako 1)	1
2022011157	Long Arm (R-Brako 2)	1
2022012826	R-Wire 4pcs	4

## Resources Required

No additional tools are required in addition to the normal assembly procedure.

# R-BIKE REPLACING PLASTIC PARTS ON BICYCLE FIXING ARMS AND WHEEL FIXING STRAPS

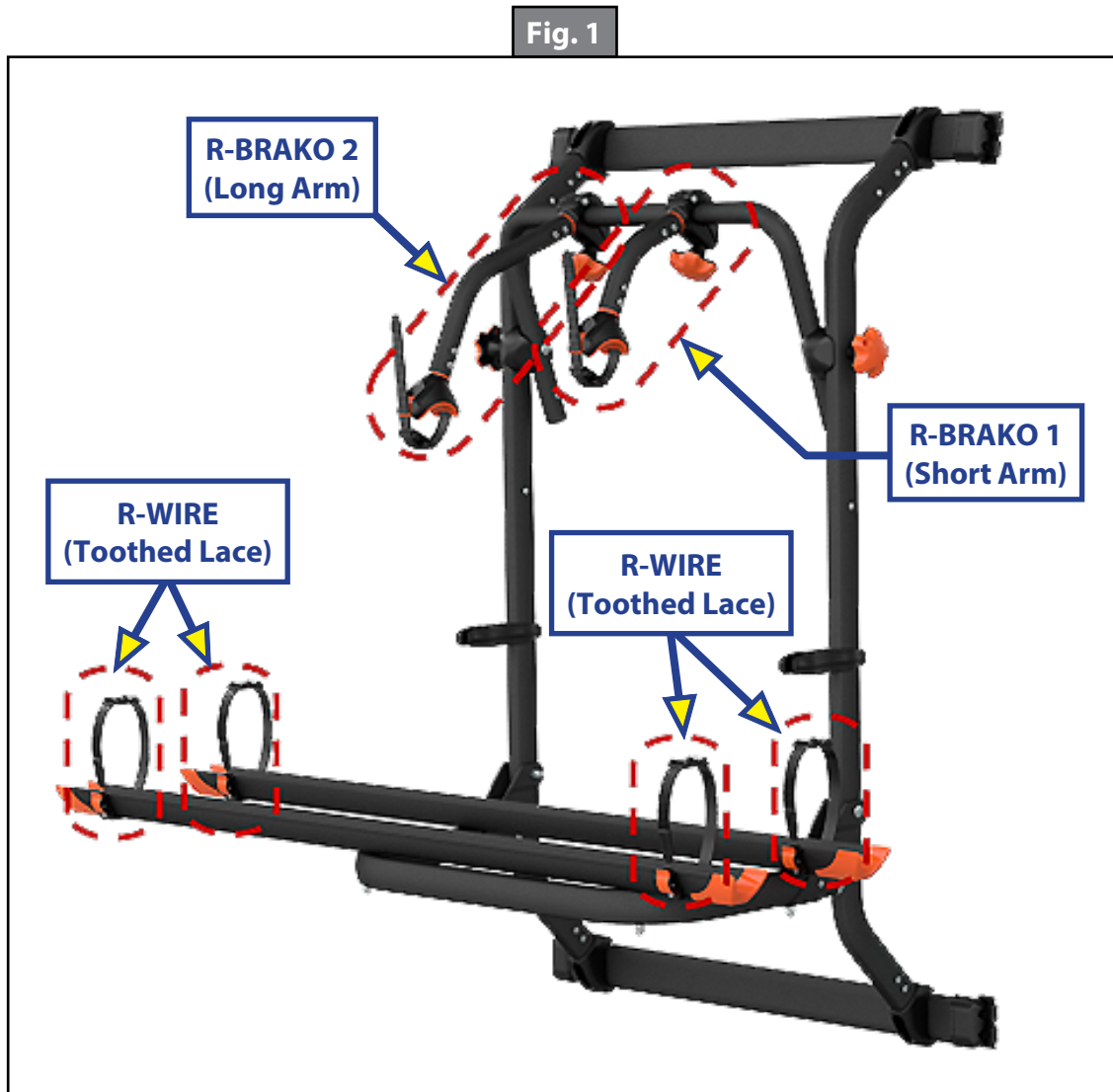
Recall Number:	TBD		
Product:	R-Bike		
Date:	June 13, 2023	Labor Rate:	0.5 Hours

## Instructions

The PC-ABS parts to be replaced are shown in the following table.

PREVIOUS VERSION		NEW VERSION	
Product Name	Material	Product Name	Material
Lever (Orange)	Red-Orange PC-ABS	Lever (Black)	Black PA6 GF 15%
Rotation Bushing (Orange)	Red-Orange PC-ABS	Rotation Bushing (Black)	Black PA6 GF 15%
Clamp Cover (Orange)	Red-Orange PC-ABS	Clamp Cover (Black)	Black PC-ABS

The components affected by the material changes are shown in figure 1.

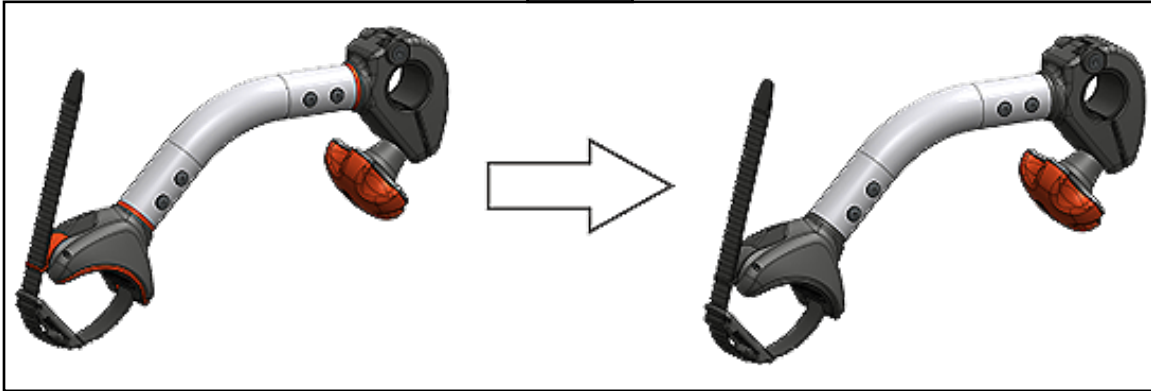


## R-BIKE REPLACING PLASTIC PARTS ON BICYCLE FIXING ARMS AND WHEEL FIXING STRAPS

<b>Recall Number:</b>	TBD		
<b>Product:</b>	R-Bike		
<b>Date:</b>	June 13, 2023	<b>Labor Rate:</b>	0.5 Hours

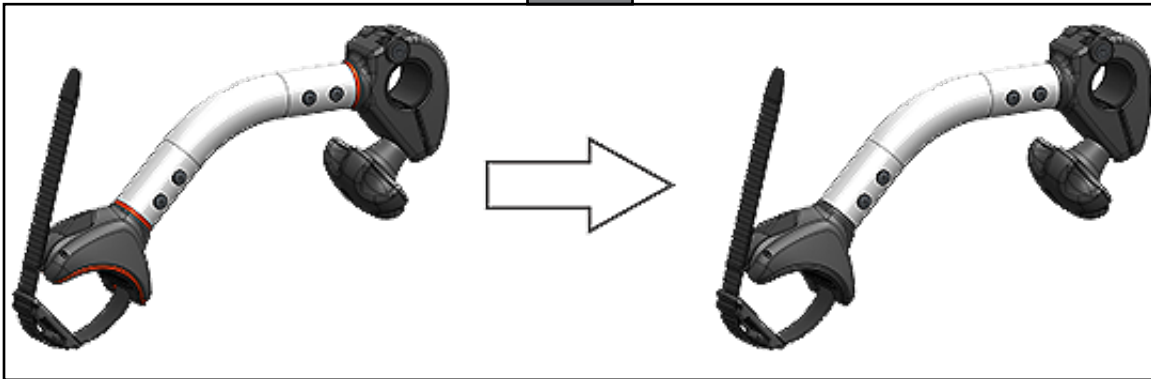
Following the replacement of the components, the new standard production colors are shown in figures 2-6.

**Fig. 2**



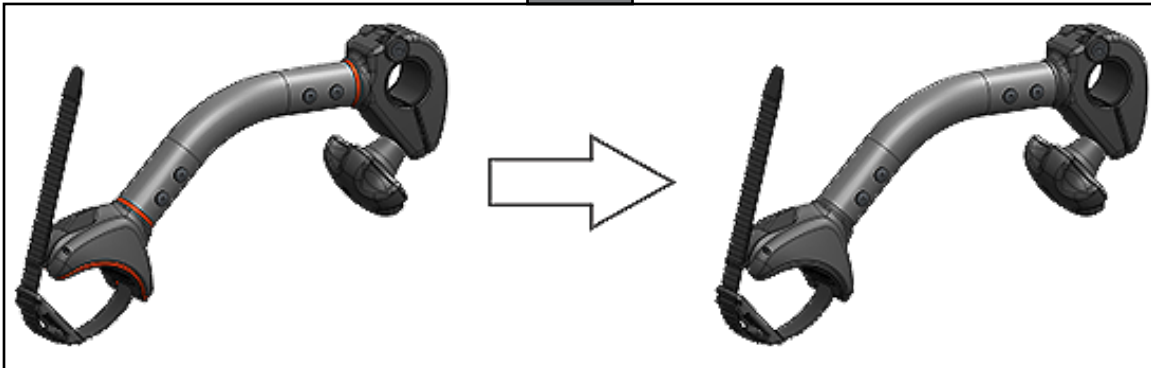
*Anodized Aluminum Version*

**Fig. 3**



*RAL 7047 White Version*

**Fig. 4**

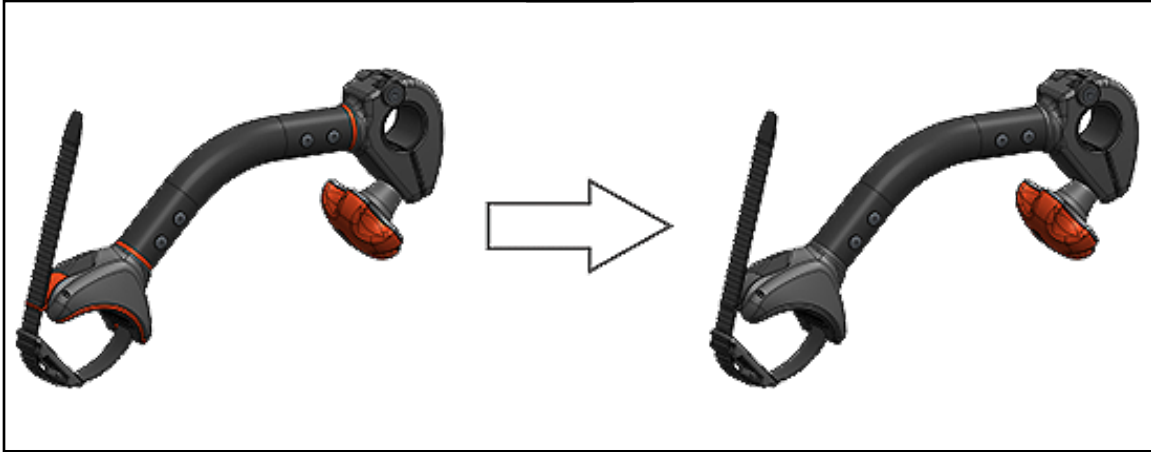


*RAL 7046 Gray Version*

# R-BIKE REPLACING PLASTIC PARTS ON BICYCLE FIXING ARMS AND WHEEL FIXING STRAPS

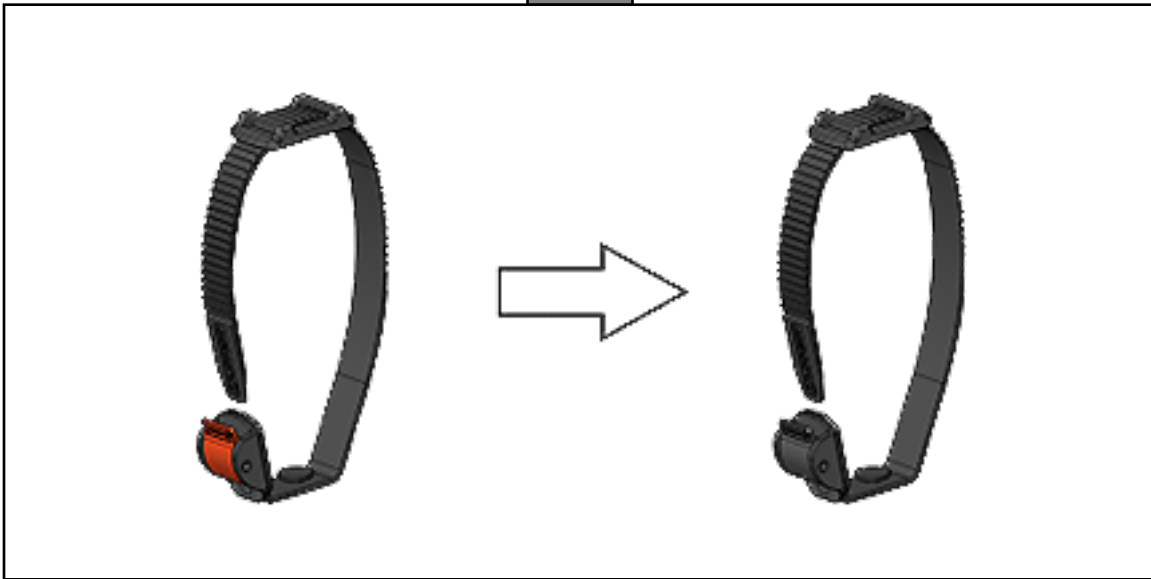
Recall Number:	TBD		
Product:	R-Bike		
Date:	June 13, 2023	Labor Rate:	0.5 Hours

**Fig. 5**



*RAL 9005 Black Version*

**Fig. 6**



*All Versions*



## R-BIKE REPLACING PLASTIC PARTS ON BICYCLE FIXING ARMS AND WHEEL FIXING STRAPS

Recall Number:	TBD		
Product:	R-Bike		
Date:	June 13, 2023	Labor Rate:	0.5 Hours

### Replacement Information

Replacement time.	30 min.	Timing includes kit unpacking, components dismounting and new kit mounting as performed by unskilled worker(s).
-------------------	---------	---

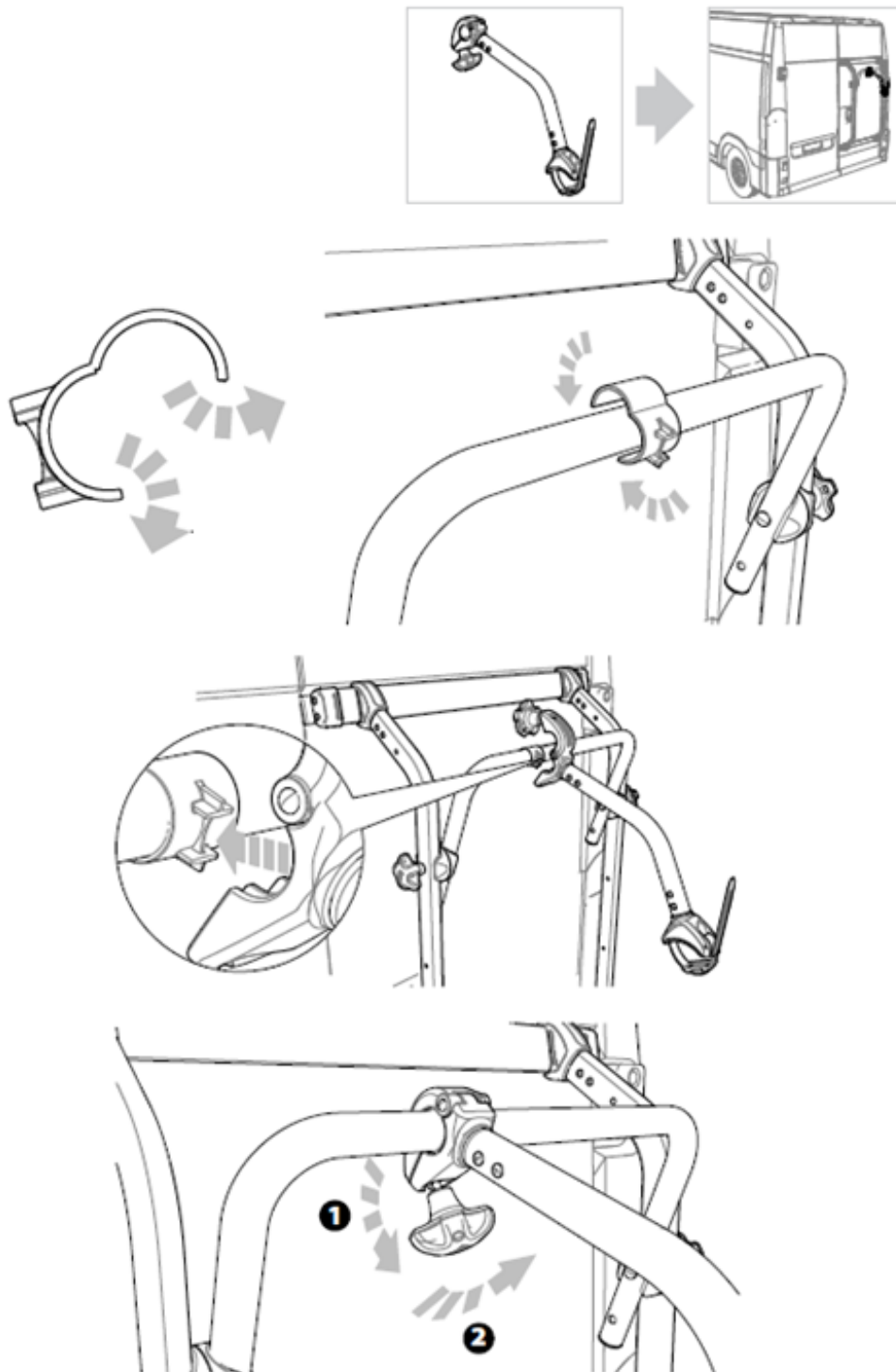
**NOTE:** The original components removed should be properly disposed of. The components do not need to be returned.

Refer to the following illustrated instructions as a guide to replacing installed components with the replacement kit parts.

# R-BIKE REPLACING PLASTIC PARTS ON BICYCLE FIXING ARMS AND WHEEL FIXING STRAPS

Recall Number:	TBD		
Product:	R-Bike		
Date:	June 13, 2023	Labor Rate:	0.5 Hours

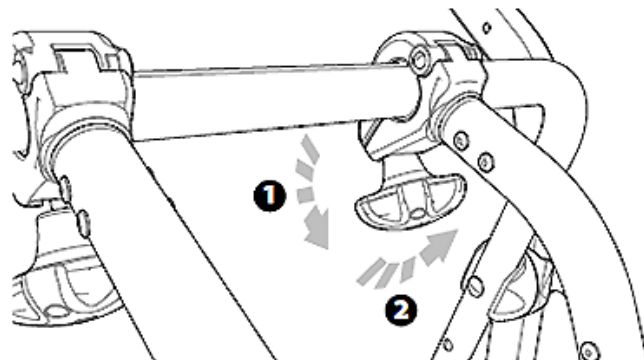
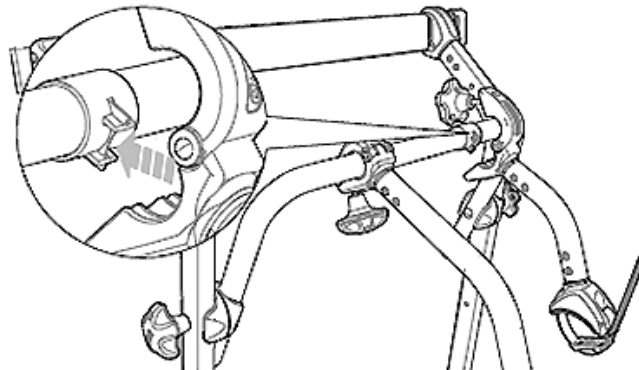
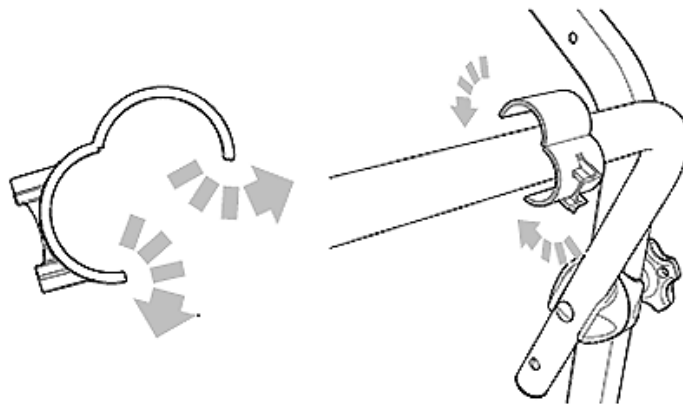
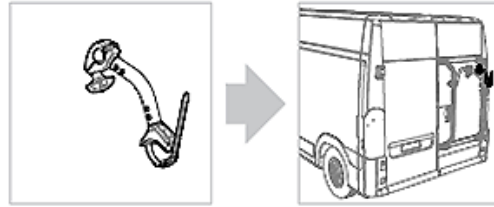
## R-BRAKO 2 (Long Arm Assembly)



# R-BIKE REPLACING PLASTIC PARTS ON BICYCLE FIXING ARMS AND WHEEL FIXING STRAPS

Recall Number:	TBD		
Product:	R-Bike		
Date:	June 13, 2023	Labor Rate:	0.5 Hours

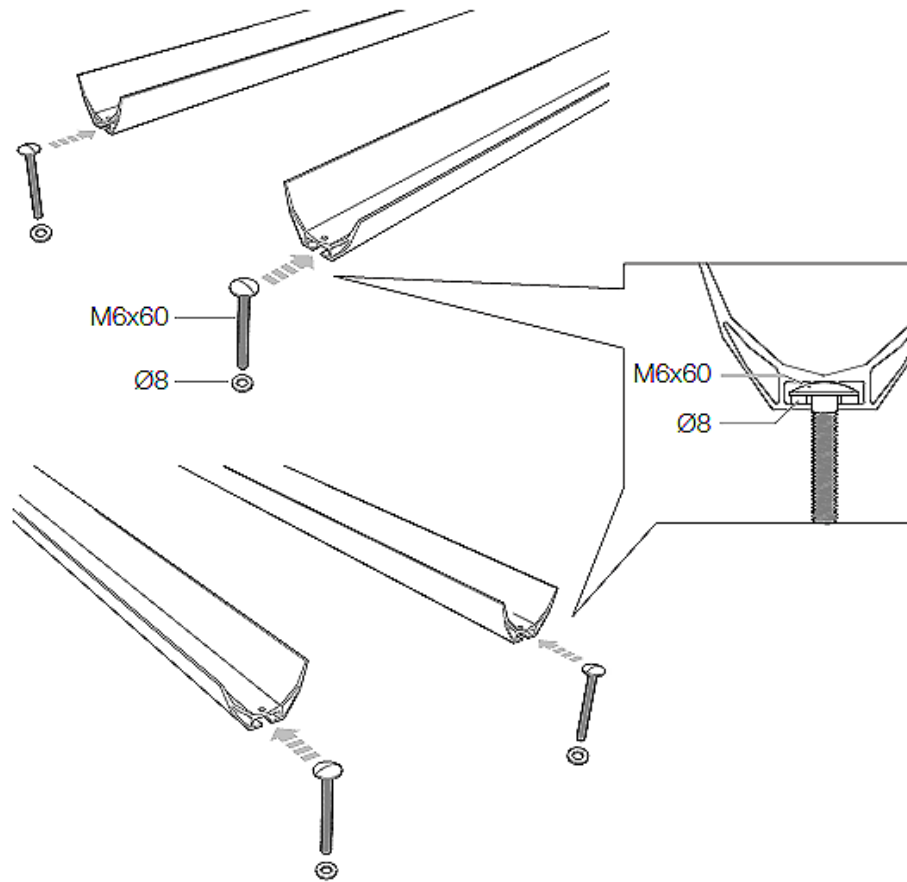
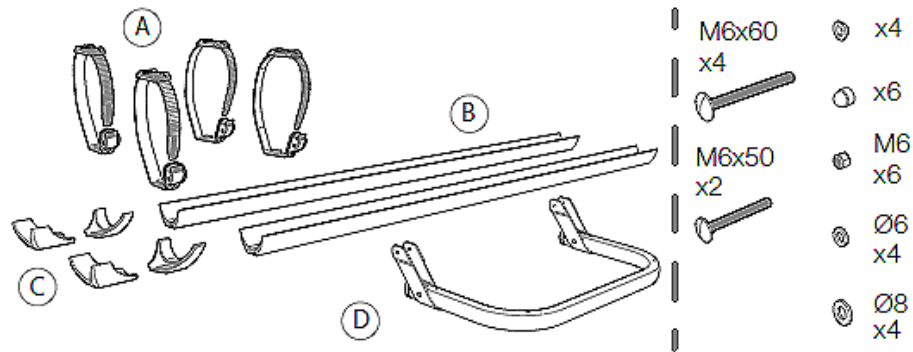
## R-BRAKO 1 (Short Arm Assembly)



# R-BIKE REPLACING PLASTIC PARTS ON BICYCLE FIXING ARMS AND WHEEL FIXING STRAPS

Recall Number:	TBD		
Product:	R-Bike		
Date:	June 13, 2023	Labor Rate:	0.5 Hours

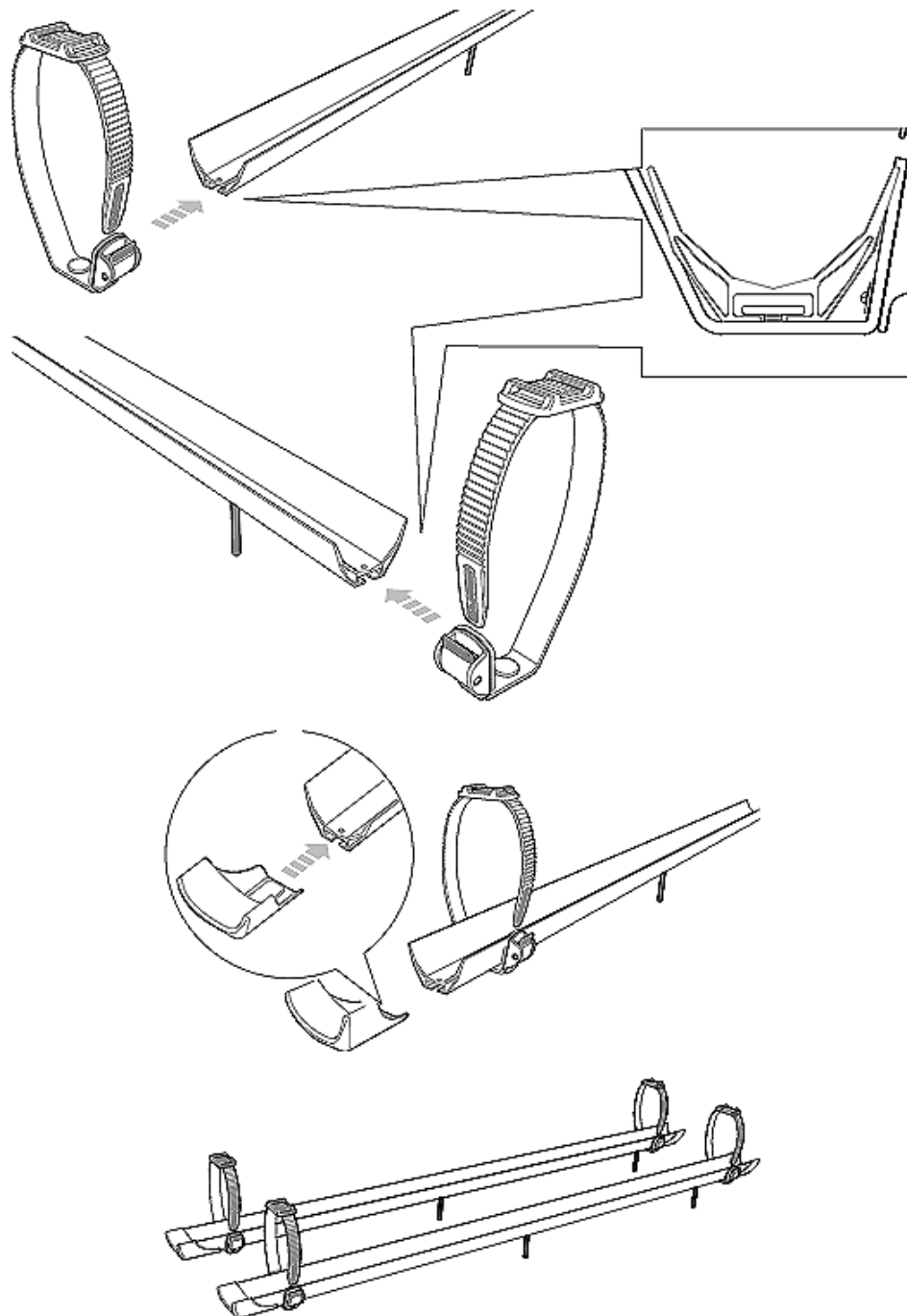
## R-WIRE (Toothed Lace Assembly)





# R-BIKE REPLACING PLASTIC PARTS ON BICYCLE FIXING ARMS AND WHEEL FIXING STRAPS

Recall Number:	TBD		
Product:	R-Bike		
Date:	June 13, 2023	Labor Rate:	0.5 Hours



As a supplier of a broad array of highly-engineered components in the recreation and transportation product markets, safety, education and customer satisfaction are our primary concerns. Should you have any questions, please do not hesitate to contact us at 432-LIPPERT (432-547-7378) or by email at [customerservice@lci1.com](mailto:customerservice@lci1.com). Self-help tips, technical documents, product videos and a training class schedule are available at [lippert.com](http://lippert.com) or by downloading the LippertNOW app.