

APA9 - Replace Screw Connection for Seat Belt Mount at Rear Left and/or Right (Stop Delivery / Recall Campaign)

Model Line: **Macan (95B)**

Model Year: **As of 2014 up to 2023**

Concerns: **Screw connection for rear seat belt mount**

Cause: **On the affected vehicles, it is possible that the screw connection of the seat belt mount to the rear left and/or right seat was not carried out in accordance with the specifications.**
 If this is the case, the correct functionality of the screw connection cannot be ensured in the event of an accident and thus loosening of the seat belt attachment cannot be ruled out.

Action: Depending on the campaign scope assigned to the respective vehicle:

- Replacing screw connection for rear left seat belt mount - **campaign scope 1**
- Replacing screw connection for rear right seat belt mount - **campaign scope 2**
- Replacing screw connection for rear left and right seat belt mount - **campaign scope 3**



Information

Every vehicle is assigned to exactly one campaign scope.

To find out which scope is assigned to the vehicle, see PCSS Vehicle Information.

Affected Vehicles: Only vehicles assigned to the campaign (see also PCSS Vehicle Information).

Required parts

Parts Info:	Scope	Part No.	Designation - Location	Number
	Scope 1	N 91209801	⇒ Fastening screw - Fastening screw, safety seat belt mount to body	1 piece

Scope 2	N 91209801	⇒ Fastening screw – Fastening screw, safety seat belt mount to body	1 piece
Scope 3	N 91209801	⇒ Fastening screw – Fastening screw, safety seat belt mount to body	2 pieces

Required tools:

- Tool:
- Torque wrench, 40-200 Nm (30-148 ftlb), e.g. **V.A.G 1332A - torque wrench, 40-200 Nm (30-148 ftlb)**

Replacing screw connection for rear seat belt mount**Information**

Replacing the screw connection is only partially shown on one side of the vehicle. Depending on the assigned campaign scope, the remedial action must be carried out as follows:

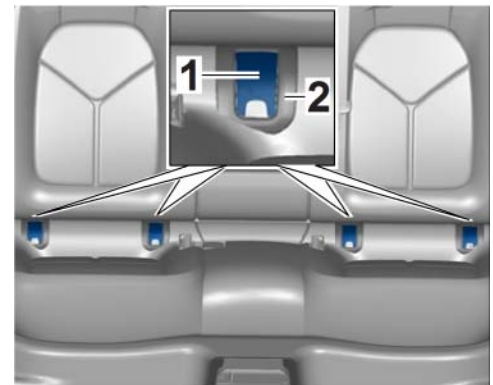
- Replacing screw connection for rear left seat belt mount - **campaign scope 1**
- Replacing screw connection for rear right seat belt mount - **campaign scope 2**
- Replacing screw connection for rear left and right seat belt mount - **campaign scope 3**

Work Procedure: 1 Move the front seat to the front end stop on the left and right.

2 Remove the ISOFIX/ LATCH covers on the rear seat.

2.1 Pull ISOFIX/ LATCH trims ⇒ *ISOFIX/ LATCH cover -1-* up and remove them.

2.2 Press ISOFIX/ LATCH cover ⇒ *ISOFIX/ LATCH cover -2-* down and pull it forward out of the ISOFIX/ LATCH bracket.



ISOFIX/ LATCH cover

3 Pull up entire surface of rear seat ⇒ *Rear seat -1-* at the front ⇒ *Rear seat -Arrows-*.

4 Thread belt buckles ⇒ *Rear seat -2-* towards the holes in the rear seat and carefully tilt the rear seat forward.

The electrical plug connections do not need to be disconnected to replace the screw connection of the seat belt mount!

5 Cover C-pillar trim panel with a clean cloth to prevent damage to the C-pillar trim panel during disassembly and assembly of the screw connection on the seat belt mount.

6 Unscrew fastening screw ⇒ *Seat belt mount on body -1-* for the seat belt mount ⇒ *Seat belt mount on body -2-* on the body.



Information

Observe correct installation position for seat belt mount:

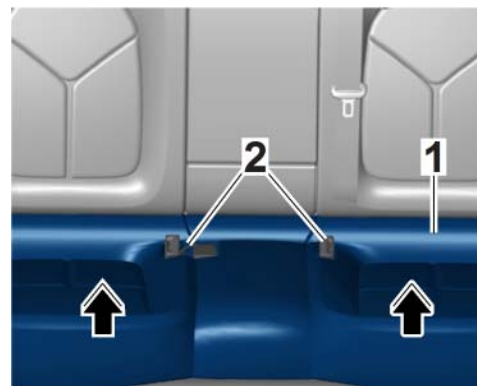
- Do not install belt twisted.
- Twist lock must engage fully in the recess in the bodyshell before being screwed in.
- Belt must be facing the center of the vehicle.

7 Tighten the **new** fastening screw to the body ⇒ *Seat belt mount on body -1-* with **tightening torque 50 Nm (36.9 ftlb.)**.

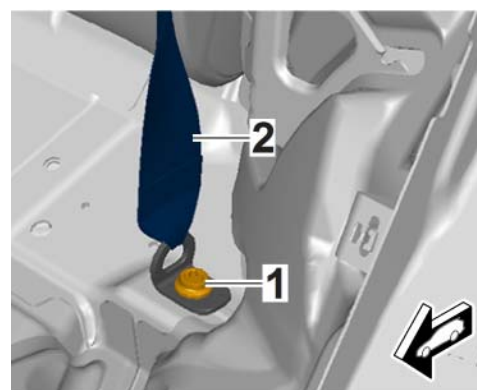
8 Remove the cloth from the C-pillar trim panel.

9 Pull seat-belt buckles ⇒ *Rear seat -1-* through the openings in the rear seat ⇒ *Rear seat -2-*.

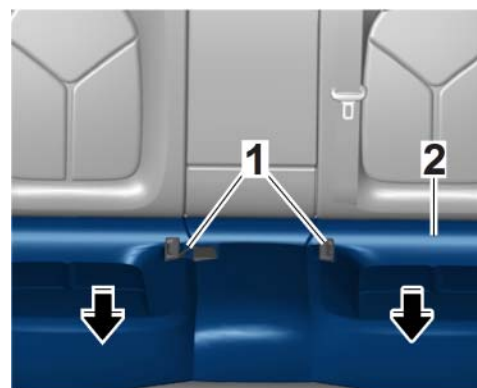
10 Align rear seat mounting with the appropriate holders on the body and press down firmly ⇒ *Rear seat -Arrows-*.



Rear seat

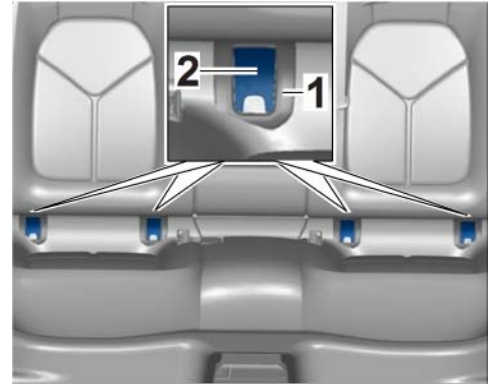


Seat belt mount on body



Rear seat

- 11 Install ISOFIX/ LATCH covers.
- 11.1 Install ISOFIX/ LATCH covers ⇒ *ISOFIX/ LATCH covers -1-* and lock them by pushing them upwards.
- 11.2 Install ISOFIX/ LATCH trims ⇒ *ISOFIX/ LATCH covers -2-*.
- 12 Enter the campaign in the Warranty and Maintenance logbook for the vehicle.



ISOFIX/ LATCH covers

Warranty processing

Scope 1: Replacing screw connection for rear left seat belt mount

Labor time:

Replacing screw connection for rear left seat belt mount

Labor time: **45 TU**

Includes: Removing and installing the folding rear seat
Remove and install ISOFIX/ LATCH trims
Covering C-pillar trim

Required parts:

N 91209801	Fastening screw	1 piece
------------	-----------------	---------

⇒ Damage number **APA9 099 000 2**

Scope 2: Replacing screw connection for rear right seat belt mount

Labor time:

Replacing screw connection for rear right seat belt mount

Labor time: **45 TU**

Includes: Removing and installing the folding rear seat
Remove and install ISOFIX/ LATCH trims
Covering C-pillar trim

Required parts:

N 91209801	Fastening screw	1 piece
------------	-----------------	---------

⇒ Damage number **APA9 099 000 2**

Scope 3: **Replacing screw connection for rear left and right seat belt mount**

Labor time:

Replacing screw connection for rear left and right seat belt mount Labor time: **48 TU**

Includes: Removing and installing the folding rear seat
Remove and install ISOFIX/ LATCH trims
Covering C-pillar trim

Required parts:

N 91209801 Fastening screw 2 pieces

⇒ **Damage number APA9 099 000 2**

Important Notice: Technical Bulletins issued by Porsche Cars North America, Inc. are intended only for use by professional automotive technicians who have attended Porsche service training courses. They are written to inform those technicians of conditions that may occur on some Porsche vehicles, or to provide information that could assist in the proper servicing of a vehicle. Porsche special tools may be necessary in order to perform certain operations identified in these bulletins. Use of tools and procedures other than those Porsche recommends in these bulletins may be detrimental to the safe operation of your vehicle, and may endanger the people working on it. Properly trained Porsche technicians have the equipment, tools, safety instructions, and know-how to do the job properly and safely. Part numbers listed in these bulletins are for reference only. The work procedures updated electronically in the Porsche PIWIS diagnostic and testing device take precedence and, in the event of a discrepancy, the work procedures in the PIWIS Tester are the ones that must be followed.

© 2023 Porsche Cars North America, Inc.