

## Field campaign

<b>Topic</b>	Bentley Bentayga - Rear seat runner/rail incorrectly locked - Recall Campaign (RE23/17)
<b>Market area</b>	Australia E04 Bentley rest Asia and Australia (6E04), China 796 VW Import Comp. Ltd (Vico), Beijing (6796), Germany E02 Bentley rest Europe (6E02), Japan E03 Bentley Japan (6E03), Korea, (South) E08 Bentley South Korea (6E08), United Arab Emirates E06 Bentley Middle East and Africa (6E06), United Kingdom E01 Bentley UK (6E01), United States E05 Bentley USA and rest America (6E05)
<b>Brand</b>	Bentley
<b>Transaction No.</b>	2070605/2
<b>Campaign number</b>	RC82
<b>Note</b>	
<b>Type</b>	
<b>US code</b>	

## Vehicle data

### Bentayga 5 seat variant

#### Sales types

Type	MY	Brand	Designation	Engine code	Gearbox code	Final drive code
4V1*	2022	E		*	*	*
4V1*	2023	E		*	*	*
ZV1*	2023	E		*	*	*

#### Chassis numbers

Manufacturer	Filler	Type	Filler	MY	Factory	From	To	Prod from	Prod to
SJA	*	*	*	N	C	011489	017239		
SJA	*	*	*	P	C	017238	018185		

## Documents

Document name
master.xml
re2317vinlist.pdf

## Notes



### Technical background

During routine quality testing, Bentley discovered the following:

- The right and left hand rear (2nd row) seat runners may not be correctly aligned/locked to the seat frame rails
- The right and left hand inner and/or outer (2nd row) seat travel stops may not have been fitted during the production process

### Remedy

- The right and left hand inner and/or outer travel stops may not have been fitted, a visual check is required to confirm if the inner and outer travel stops have been fitted or not (*Fitment instructions are provided within the Work section if not fitted*)



The Operative should familiarise themselves with the following prior to conducting the instructions within the Work section

#### Right and Left hand outer travel stop fitment checks

- A mandatory visual check is required to confirm that (x2) travel stops have been fitted on the right and left hand outer rear seat frame rail at the locations shown in Figures 1 and 2



**IMPORTANT:** If not present the travel stops must be fitted as detailed within the Work section

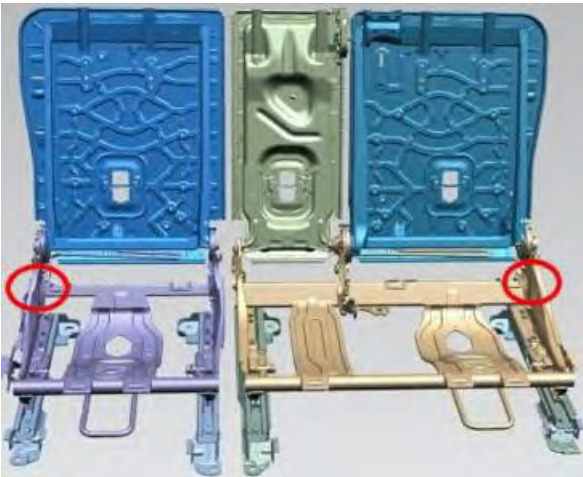


Figure 1

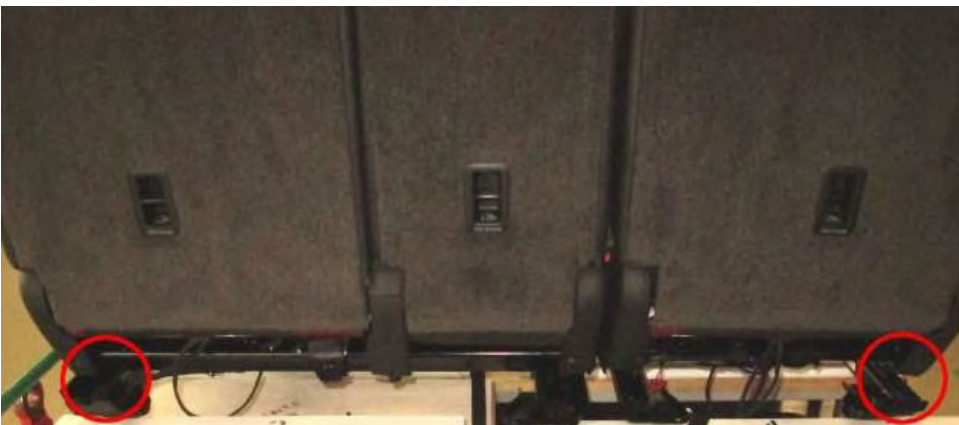


Figure 2

### Right and Left hand inner travel stop fitment

- The right and left hand inner seat frame travel stops may not have been fitted on the right and left hand inner seat frame rail at the locations shown in Figures 3 and 4 therefore (x2) travel stops MUST be fitted in the event that one or both are missing

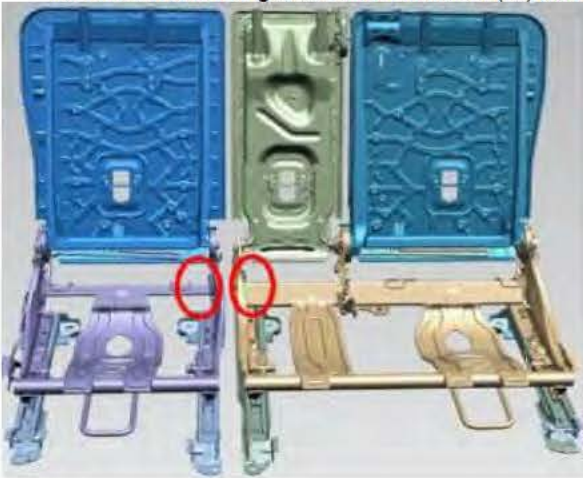


Figure 3



Figure 4



**IMPORTANT:** The travel stops must be fitted as detailed within the Work section

### Customer notification

Customers of affected vehicles will be notified in writing by their Bentley retailer to arrange an appointment, make a note of the required action on the workshop order before it is signed by the customer

If it is omitted to perform the work required during a workshop visit, the customer should be notified immediately

You should also pass on this information to your new and used car sales departments so that affected vehicles are checked and repaired immediately

### Warranty accounting instructions

Warranty type 710 or 790

Damage service number RC82

Damage code 00 99

Criteria 01

### Labour

#### All models

Labour operation code 72 55 42 00

Time 40 TU

## Extended Wheel Base Only

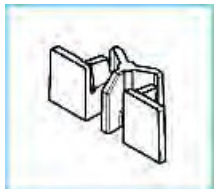
### Time to conduct Steps 5 - 6 and steps 16 - 17

Labour operation code 72 55 55 70 (Use 99 index until 29.06.23)

Time 10 TU

## Genuine parts

Part Number	Description	Quantity
36A 885 529A	Travel stop	As required (Depending on the initial check)



**NOTE:** The following parts are only required if the parts were damaged during removal

Refer to ETKA	Grommet (Secures the seat cushions to the seat frame)	As required
Refer to ETKA	Seat frame cover cap left	As required
Refer to ETKA	Seat frame cover cap right	As required
Refer to ETKA	Seat frame cover cap central	As required

## Parts supply

The required replacement parts should be ordered from Bentley Motors Limited Crewe or through your regional Bentley parts distribution centre

## Parts despatch control

Not applicable

## Questions and answers

### What is the specific issue with the affected vehicles?

During testing, Bentley has discovered that the 2<sup>nd</sup> row seats may not be correctly aligned and locked on all seat rails. This follows Production being unaware of published supplier assembly and installation instructions.

### What repercussions does the fault have?

It is possible that if one of the seat rails is not correctly locked, it could move in the event of a crash, compromising occupant safety. For information, it is not possible on either the 60% seat or 40% seat for both seat rails to be unlocked.

### Which vehicles are affected?

Bentayga 5-seat vehicles built between 8<sup>th</sup> June 2020 and 17<sup>th</sup> December 2022.

### Are all models affected by the fault?

No, Bentayga vehicles produced prior to 21MY and 2<sup>nd</sup> row seats on all 7-seat vehicles are not affected, as they utilise a different locking mechanism.

### Can customers continue to drive the cars?

Yes, however, we encourage customers to arrange an appointment with their retailer as soon as possible.

### What is the fix?

Bentley authorised retailers will check and re-set the relative 2<sup>nd</sup> row seat rail positions to ensure proper engagement of the seat rail runners. This will take under one hour to complete.

### Do I have to make an appointment?

Yes, that's important. Please contact your retailer immediately

# Repair instructions

## Technical background

During routine quality testing, Bentley discovered the following:

- The right and left hand rear (2nd row) seat runners may not be correctly aligned/locked to the seat frame rails
- The right and left hand inner and/or outer (2nd row) seat travel stops may not have been fitted during the production process

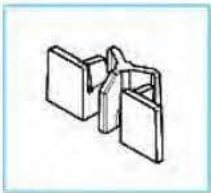
## Check

If the vehicle is not already listed as repaired in the 'Repair history' section of Elsa Pro, check for the presence of the Recall campaign 'Identification' mark (Refer to the Identification section)

In the event that the Recall campaign has not been applied, please carry out the required work in accordance with these instructions

## Genuine parts

Part Number	Description	Quantity
36A 885 529A	Travel stop	As required (Depending on the initial check)



**NOTE:** The following parts are only required if the parts were damaged during removal

Refer to ETKA	Grommet (Secures the seat cushions to the seat frame)	As required
Refer to ETKA	Seat frame cover cap left	As required
Refer to ETKA	Seat frame cover cap right	As required
Refer to ETKA	Seat frame cover cap central	As required

## Work



**CAUTION:** The Operative **MUST** ensure that all interior/exterior trim assemblies are suitably protected

Warranty payments will not be considered for damage to trim and/or surrounding components

### CAUTION

CAUTION: When removing the rear seat cushions the operative **MUST** take care as the grommets which hold the rear seat cushions to the frame and the seat frame cover caps can be damaged if the process within Rep.Gr 72 is not followed

### NOTICE

IMPORTANT: All steps must be followed to completion regardless of model (Standard Wheel Base or Extended Wheel Base)

However

There are separate steps which must only be conducted on Extended Wheel Base models as detailed in steps 5 - 6 and steps 16 - 17 and 20

### All models (Standard Wheel Base and Extended Wheel Base)

- 1) Referring to Rep.Gr 72 - Remove the rear seat cushions



**VERY IMPORTANT:** The process is the same on the right and left hand side, the process should be followed as detailed within the onward instructions, the operative should conduct the rework on the right hand side 2<sup>nd</sup> row seat and then repeat the procedure on the left hand side 2<sup>nd</sup> row seat

**Right hand 2<sup>nd</sup> row inner and outer travel stop visual check (fitment required if missing)**

2) Conduct a visual check to confirm the fitment of the inner and outer seat rail travel stops as follows:

The travel stop should already be fitted/located as shown (Figure 5) TIP: Note the correct position/orientation of the travel stop when fitted

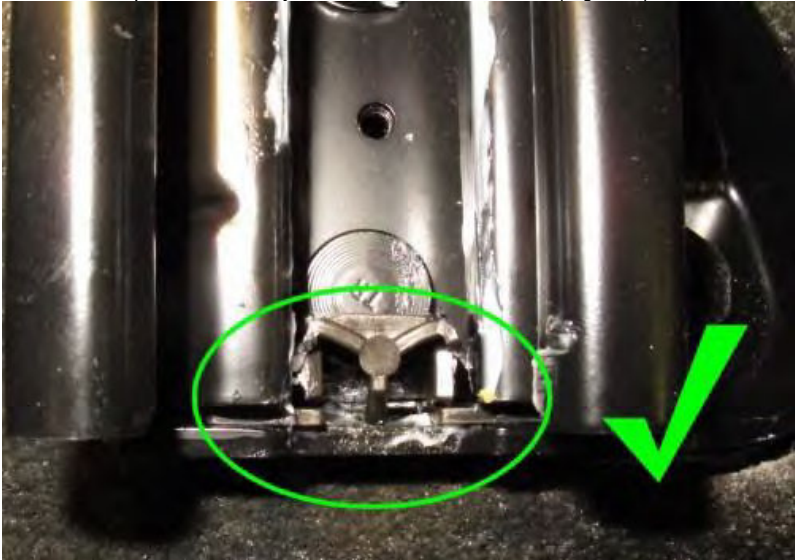


Figure 5

However

In the event the right and left hand inner and outer travel stops are not fitted/located the operative should conduct step 3 before conducting the remaining instructions

**3) Right and left hand inner and outer travel stop fitment instructions**

Referring to Figure 6 - The correct orientation/fitment of the travel stop is the same regardless of location (Inner or Outer) refer to the onward instructions

- The correct orientation of the travel stop should be as shown at (Point A)
- The travel stop tangs should be positioned into the seat frame as shown at (Point B)

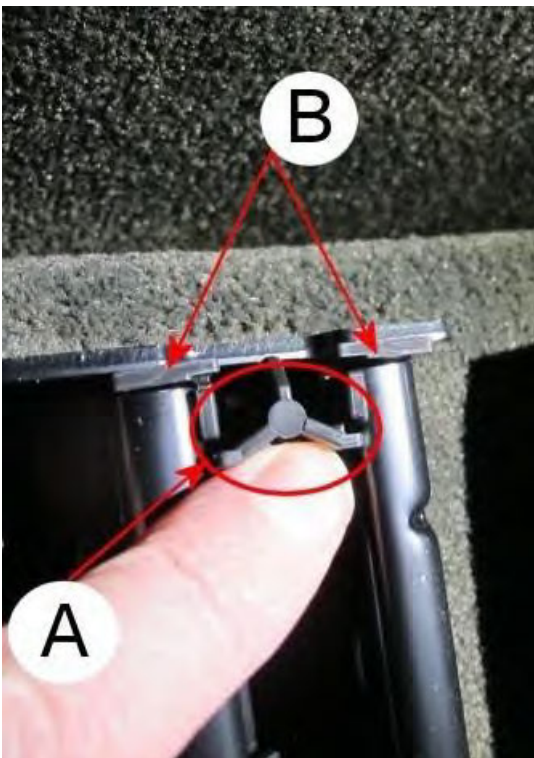


Figure 6

- Using a suitable tool for example a rubber mallet or non-metallic wedge - Insert/locate the travel stop into the seat frame

4) Repeat Step 3 and fit (x1) travel stop to the inner or outer seat rail as shown in Figure 7



Figure 7

**CAUTION**

BEFORE PROCEEDING THE OPERATIVE MUST ENSURE THE TRAVEL STOPS ARE FITTED AT THE LOCATIONS DETAILED BELOW

- **Figure 1 - (x2) outer travel stops**
- **Figure 3 - (x2) Inner travel stops**

**NOTICE**

Once confirmed the outer and inner travel stops are fitted please continue with the onward instructions

4) Referring to Figure 8 - Slacken the right hand seat fixings (x4) in the order shown

- To gain access to the front seat frame fixings the seat frame cover caps must be removed



**DO NOT FULLY REMOVE THE FIXINGS THE REAR FIXING BOLTS AND FRONT FIXING NUTS SHOULD BE SLACKENED NO MORE THAN (x4) REVOLUTIONS**

HINT: The forward/rearward adjustment handle is located at (Point A)

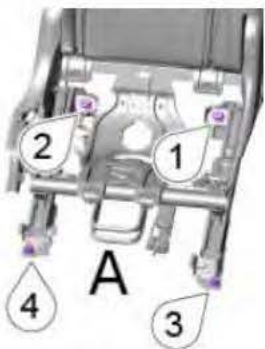


Figure 8



Standard Wheel Base - Go to Step 7

Or

Extended Wheel Base - Go to step 5 - 6 and then proceed to step 7

Extended Wheel Base models only



Steps 5 and 6 **MUST** be conducted before proceeding to Step 7

Right hand side

5) Referring to Figure 9 - Remove the right hand side track stopper fixing (A)

- Remove the right hand track stopper (B)



Figure 9

**CAUTION**

In the event that the right hand track stopper and fixing is missing the operative **MUST** raise a Technical DISS query and await feedback before conducting any further work

Left hand side

6) Referring to Figure 10 - Remove the left hand side track stopper fixing (A)

- Remove the left hand track stopper (B)

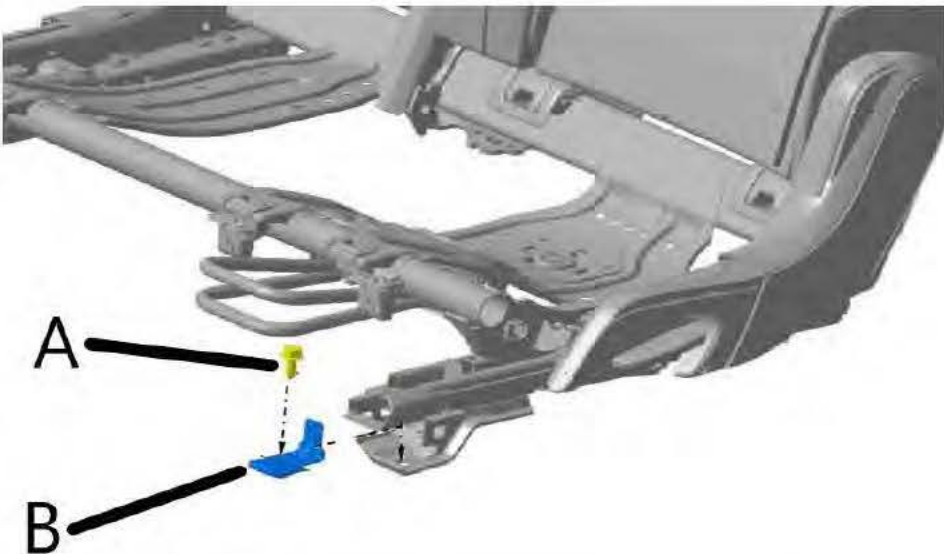


Figure 10

**CAUTION**

In the event that the left hand track stopper and fixing is missing the operative **MUST** raise a Technical DISS query and await feedback before conducting any further work

All models continued (Standard Wheel Base and Extended Wheel base)

7) Using the forward/rearward adjustment handle - Slowly move the seat fully forwards until the seat stops and cannot travel any further

forwards (Figure 11)



Figure 11

8) Slowly move the seat fully rearwards until the seat stops and cannot travel any further rearwards (Figure 12)

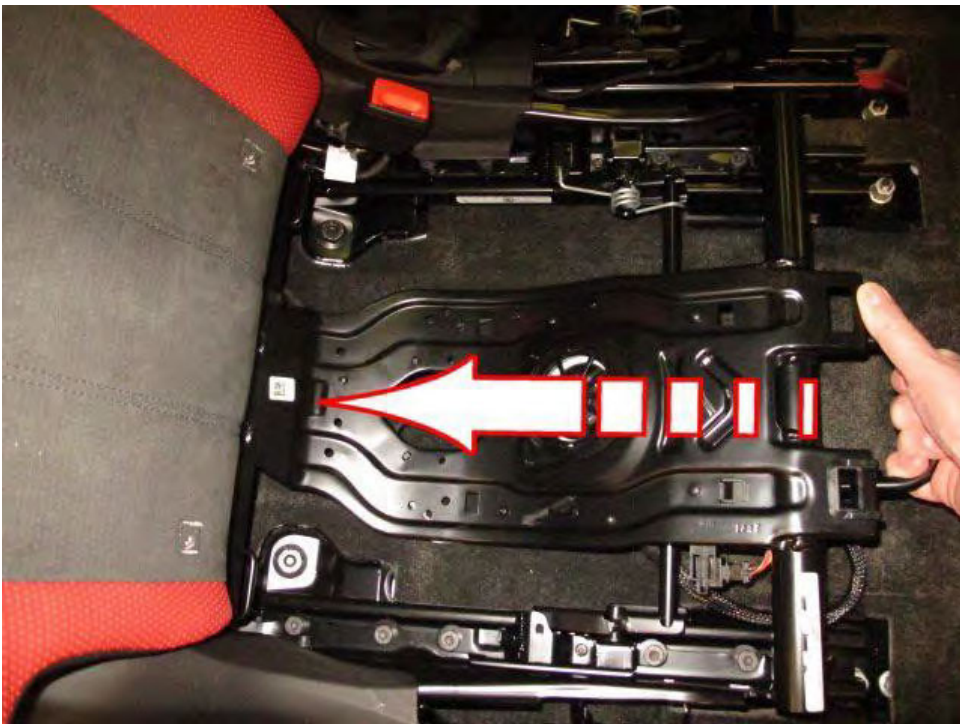


Figure 12

9) Once the seat has been moved fully rearwards, the operative should release/let go of the handle (Figure 13)

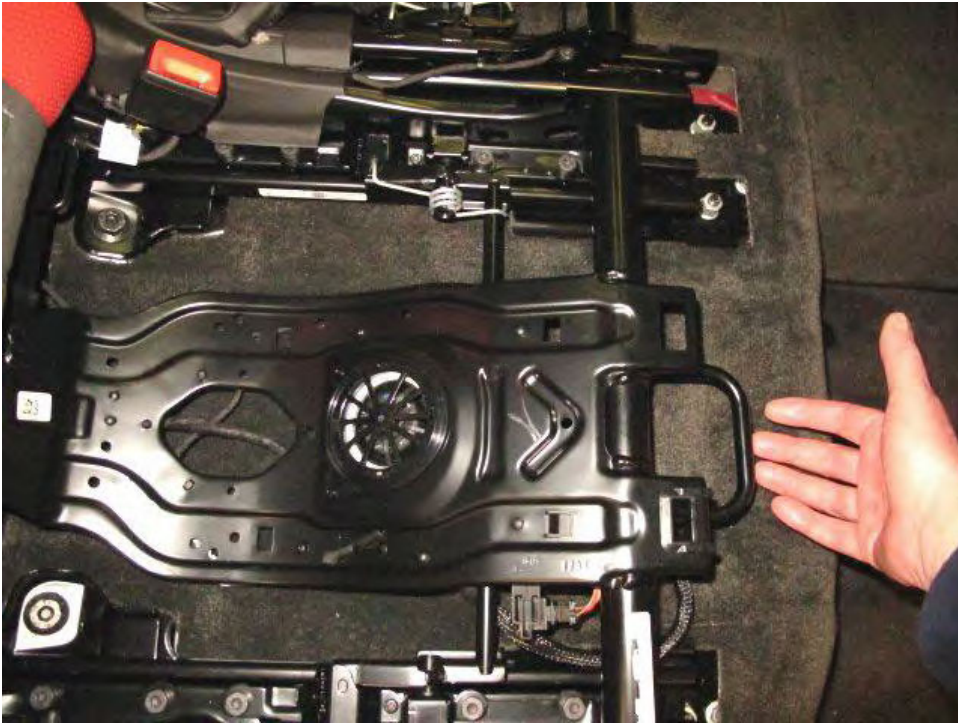


Figure 13

10) Referring to Figure 14 - To lock the seat runner in place - The operative should grab/hold of the seat frame in the locations shown, the frame should be gently pulled forwards (ARROWS) until an 'audible click' is heard



**VERY IMPORTANT:** The 'audible click' confirms the seat rail is locked in the required position



Figure 14



**VERY IMPORTANT:** The audible click confirms the seat rail is locked in place correctly, once the seat frame is locked **DO NOT** move the seat in any direction until instructed

11) Referring to Rep.Gr 72 - Torque tighten the seat fixings (x4) in the sequence shown in Figure 8

12) With the seat at the rearmost 'locked' position conduct the following:

- Using a tape measure or steel rule, the operative should take measurements at the following locations

Figure 15 - Outer seat runner/rail

NOTE: The measurement from the front edge of the outer seat runner to the front edge of the outer seat rail should be 52.5mm +/- 2mm

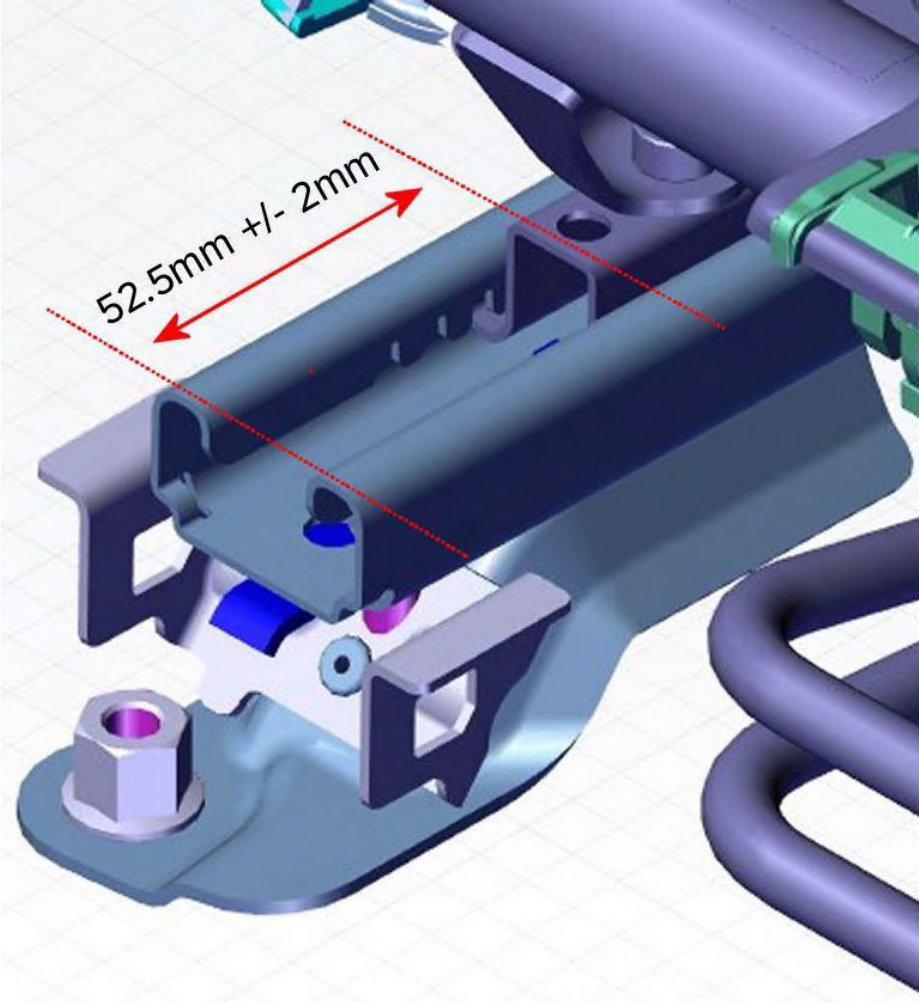


Figure 15

Figure 16 - Inner seat runner/rail

NOTE: The measurement from the front edge of the Inner seat runner to the front edge of the Inner seat rail should be 76.5mm +/- 2mm

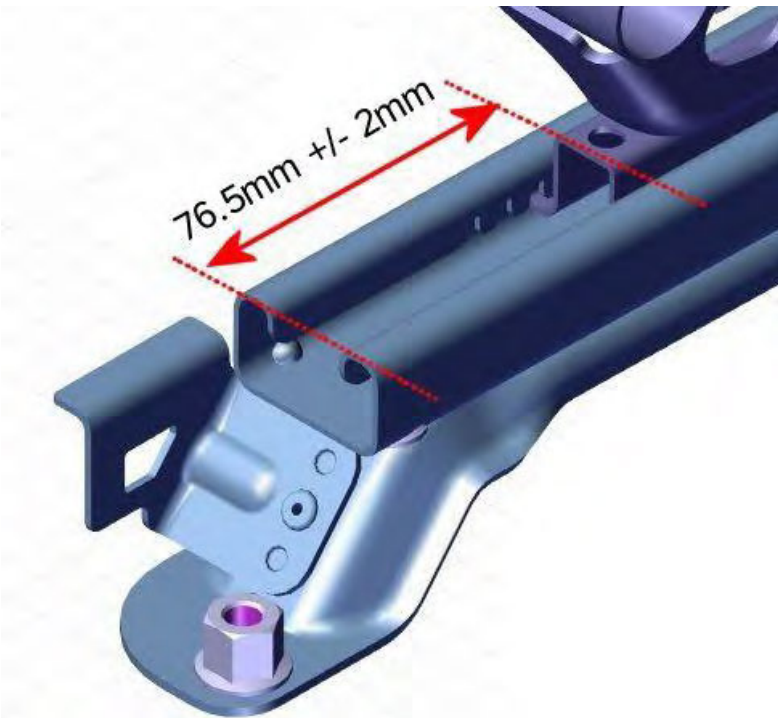


Figure 16

13) Using the adjustment handle - With care/slowly move the seat fully forward - Checking the following:

- The seat frame can be moved forwards freely
- There is no noise or chaffing during the operation

14) Using the adjustment handle - With care/slowly move the seat fully rearwards checking for the following:

- Check the seat frame can be moved rearwards freely
- Check there is no noise or chaffing during the operation

15) Repeat steps 2 through to 14 on the left hand side rear seat



**Standard Wheel Base vehicles - Go to step 18**

**Or**

**Extended Wheel Base - Go to step 16 - 17 and then proceed to step 18**

[Extended Wheel Base vehicles only](#)



**Steps 16 and 17 MUST be conducted before proceeding to step 18**

**Right hand side**

16) Referring to Figure 17 - Refit the right hand side track stopper (A)

- Refit the right hand track stopper fixing (B)

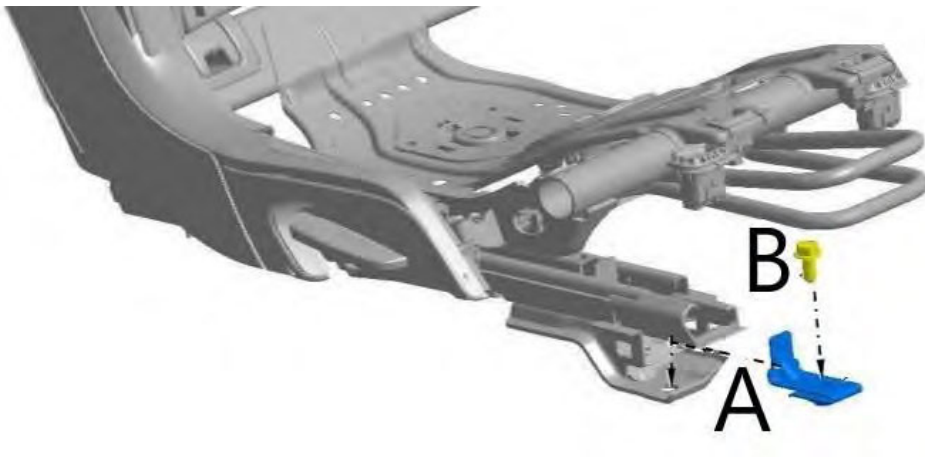


Figure 17

- Referring to Figure 18 - Push the track stopper fully rearwards before securing the fixing
- With the track stopper pushed fully rearwards - Torque the fixing to 20 Nm



Figure 18

- Take a photograph of the right hand track stopper (fitted and secured)

**NOTICE**  
 VERY IMPORTANT: The right and left hand track stoppers must always be refitted and never removed

**Left hand**

17) Referring to Figure 19 - Refit the left hand side track stopper (A)

- Refit the left hand track stopper fixing (B)

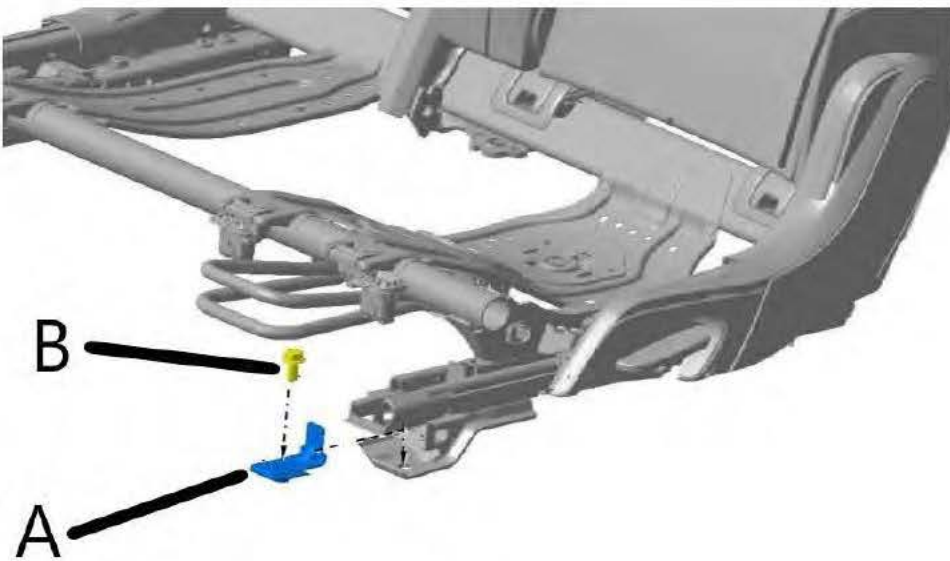


Figure 19

- Referring to Figure 20 - Push the track stopper rearwards before securing the fixing
- With the track stopper pushed fully rearwards - Torque the fixing to 20 Nm



Figure 20

- Take a photograph of the left hand track stopper (fitted and secured)

**NOTICE**

VERY IMPORTANT: The right and left hand track stoppers must always be refitted and never removed

All Models continued

18) On completion of the right and left hand side seat rail rework instructions - Refit the seat frame cover caps

- Referring to Rep.Gr 72 - Refit the rear seat cushions

19) Apply a yellow paint completion mark as shown within the Identification section (Figure 21)



VERY IMPORTANT: The yellow paint clarification mark confirms the instructions have been conducted as instructed regardless of vehicle specification (Standard Wheel Base and Extended Wheel Base models)

For Extended Wheel Base only please also conduct Step 20 to completion

Extended Wheel Base only

20) Raise a non technical DISS query titled RE23/17 stating the following:

- All instructions within RE23/17 were successfully conducted to completion including the fitment of the right and left hand track stoppers
- Attach photographs of the right and left hand track stoppers (fitted and secured)

**NOTICE**

VERY IMPORTANT: The right and left hand track stoppers must always be refitted and never removed

## Identification

Yellow paint completion mark on the right hand 2<sup>nd</sup> row seat frame (Figure 21)



Figure 21

▲ Repair instructions ▲ Notes

SJAAM2ZV9NC	SJAA514V6NC	SJAAM2ZV6NC	SJAAN14V3NC	SJAAR2ZV5NC
SJAAR2ZV7NC	SJAAL1ZVXNC	SJAAL14V4NC	SJAAM14V1NC	SJAAL1ZV4NC
SJAAM2ZV9NC	SJAAL14V3NC	SJAAD14VXNC	SJAAN14V9NC	SJAAM14V0NC
SJAAR2ZV2NC	SJAAL14V5NC	SJAA414V6NC	SJAAD14V7NC	SJAAN14V6NC
SJAAR2ZV2NC	SJAAD14V0NC	SJAAL14V4NC	SJAAM2ZV2NC	SJAAL14V0NC
SJAAR2ZV0NC	SJAAD14V2NC	SJAAD14VXNC	SJAAD14V9NC	SJAAL1ZV1NC
SJAAM2ZV6NC	SJAAL1ZVXNC	SJAAN1ZV4NC	SJAAL1ZV8NC	SJAAD14V8NC
SJAAR2ZV5NC	SJAAN1ZV9NC	SJAAM2ZV5NC	SJAAR2ZV4NC	SJAAM14V1NC
SJAAM2ZV3NC	SJAAM2ZVXN	SJAAR2ZV5NC	SJAAM2ZV8NC	SJAAD14VXNC
SJAAL1ZV9NC	SJAAD14VXNC	SJAAD14V7NC	SJAAL1ZV3NC	SJAA514V5NC
SJAAM2ZV9NC	SJAAD14V1NC	SJAAR2ZV9NC	SJAAD14V1NC	SJAA514V7NC
SJAAM2ZV7NC	SJAAL1ZV9NC	SJAAL1ZV8NC	SJAA514V7NC	SJAA514V0NC
SJAA414V7NC	SJAA514V3NC	SJAAL14V7NC	SJAA414VXNC	SJAAL14V7NC
SJAAD14V2NC	SJAAL14V8NC	SJAAL14V9NC	SJAAM2ZV5NC	SJAAR2ZV2NC
SJAAL14V2NC	SJAAM14V3N	SJAAL14V0NC	SJAA514V9NC	SJAAD14V4NC
SJAAL1ZVXNC	SJAAK14V8NC	SJAAD14V6NC	SJAA414V7NC	SJAAL14V9NC
SJAAL1ZV1NC	SJAAL1ZV2NC	SJAA514V1NC	SJAAD14V9NC	SJAAL1ZVXNC
SJAAL14VXNC	SJAAD14V0NC	SJAA514V3NC	SJAAD14V0NC	SJAAD14V6NC
SJAAD14V3NC	SJAA514V6NC	SJAAN14V5NC	SJAAL1ZV8NC	SJAAM2ZVXNC
SJAAN14V0NC	SJAAD14V4NC	SJAAD14V5NC	SJAA414V4NC	SJAA414VXNC
SJAAL14VXNC	SJAAL14V9NC	SJAAD14V1NC	SJAAM2ZV8NC	SJAAM2ZV3NC
SJAAD14VXNC	SJAAD14V4NC	SJAAD14V3NC	SJAAR2ZV2NC	SJAAR2ZV3NC
SJAAK14VXNC	SJAAD14V6NC	SJAA414V5NC	SJAA414V6NC	SJAA514V9NC
SJAAL14VXNC	SJAAM2ZVXN	SJAAM2ZV9NC	SJAA514V1NC	SJAAK14VXNC
SJAAD14V1NC	SJAAL14V6NC	SJAA514V2NC	SJAAL1ZV5NC	SJAA514V7NC
SJAAM14V3NC	SJAAM2ZV5N	SJAAD14V0NC	SJAA414V3NC	SJAA414V7NC
SJAAD14V5NC	SJAAN1ZV8N	SJAAM14V2NC	SJAAM2ZV7NC	SJAAD14V9NC
SJAAD14V9NC	SJAAD14V7NC	SJAAL14V2NC	SJAAM2ZV9NC	SJAAL14V7NC
SJAAM14V2NC	SJAAD14V5NC	SJAAL14V4NC	SJAAL1ZV4NC	SJAAL1ZV8NC
SJAAL1ZVXNC	SJAAM2ZV9N	SJAA414V0NC	SJAA514V0NC	SJAA414V6NC
SJAAL14V2NC	SJAAM2ZV0N	SJAAL1ZV8NC	SJAAL14V5NC	SJAAL1ZV3NC
SJAAM2ZV4N	SJAAR2ZV0NC	SJAAD14V6NC	SJAAD14V0NC	SJAAR2ZVXNC
SJAAL14V0NC	SJAAM2ZV4N	SJAA514V1NC	SJAAM14V4NC	SJAAD14V6NC
SJAAM14V6NC	SJAAD14V4NC	SJAA514V5NC	SJAAL1ZV1NC	SJAAD14V8NC
SJAAD14V8NC	SJAAL14V4NC	SJAA514V7NC	SJAAN1ZV0NC	SJAAM2ZV1NC
SJAAD14VXNC	SJAA514V3NC	SJAAD14V5NC	SJAAD14V4NC	SJAAR2ZV1NC
SJAAL14V8NC	SJAAL14V8NC	SJAAL1ZV2NC	SJAAL1ZV1NC	SJAAD14V3NC
SJAA414V3NC	SJAAL14V4NC	SJAAL1ZV9NC	SJAAN1ZV0NC	SJAAM14V5NC
SJAAM14V5NC	SJAAD14VXNC	SJAA414V5NC	SJAAM2ZV3NC	SJAA514V0NC
SJAAD14V7NC	SJAAD14V1NC	SJAAM2ZV9NC	SJAAD14V3NC	SJAAL14V5NC
SJAAK14V1NC	SJAAM14V3N	SJAAL1ZV4NC	SJAAL14V3NC	SJAAM2ZV2NC
SJAAD14V5NC	SJAAM2ZV9N	SJAA514V4NC	SJAAD14V9NC	SJAAL1ZV8NC
SJAAN14V0NC	SJAA514V2NC	SJAAL14V9NC	SJAAM14V0NC	SJAAN14V2NC
SJAAM14V9NC	SJAA514V4NC	SJAA514V8NC	SJAA414V7NC	SJAAL14V7NC
SJAAL14V7NC	SJAA414V2NC	SJAAD14V6NC	SJAAR2ZV9NC	SJAAL1ZV8NC
SJAAD14V2NC	SJAAN1ZV3N	SJAAL1ZV3NC	SJAAL1ZV6NC	SJAAD14V4NC
SJAAD14V4NC	SJAAL1ZV8NC	SJAAK14V2NC	SJAAL1ZV8NC	SJAA514VXNC
SJAAM2ZV8N	SJAA414V4NC	SJAAL14V2NC	SJAAL1ZVXNC	SJAAM2ZVXNC
SJAAN1ZV0NC	SJAAL1ZV3NC	SJAA414VXNC	SJAA514VXNC	SJAAL14V6NC
SJAAL1ZV5NC	SJAAL14V6NC	SJAA514V7NC	SJAAD14VXNC	SJAAL14V8NC
SJAAD14V1NC	SJAAL1ZV7NC	SJAA514V9NC	SJAAL1ZV7NC	SJAA514V7NC
SJAAL1ZV3NC	SJAA414V3NC	SJAAM14V7NC	SJAAL1ZV9NC	SJAAL1ZV0NC
SJAA414VXNC	SJAAM2ZV7N	SJAA414V9NC	SJAAD14VXNC	SJAAM2ZVXNC
SJAAM2ZV3NC	SJAAM2ZV9N	SJAAD14V0NC	SJAAM14V1NC	SJAA414VXNC
SJAAD14V3NC	SJAAM2ZV5N	SJAAR2ZV9NC	SJAAM2ZVXNC	SJAA514V7NC
SJAA514V9NC	SJAAL14V3NC	SJAAL1ZV6NC	SJAAD14VXNC	SJAA514V9NC
SJAA514V0NC	SJAAM2ZV0N	SJAA514V8NC	SJAAD14V3NC	SJAAL14V3NC
SJAAL14V5NC	SJAAD14V0NC	SJAAD14V6NC	SJAA414V5NC	SJAAL1ZV4NC
SJAAM14V0NC	SJAA414V2NC	SJAAL1ZV3NC	SJAAM2ZV0NC	SJAAR2ZV0NC

SJAAD14V4NC  
SJAA514V4NC  
SJAAL1ZV8NC  
SJAAL14V0NC  
SJAAM2ZV8N  
SJAAD14V8NC  
SJAAL14V6NC  
SJAAL1ZV7NC  
SJAAL1ZV9NC  
SJAAM2ZV7N  
SJAA514V0NC  
SJAAL14VXNC  
SJAAD14V7NC  
SJAAL14V5NC  
SJAAL14V7NC  
SJAAL1ZV8NC  
SJAAM14V4N  
SJAAM2ZV8N  
SJAA514V3NC  
SJAAD14V6NC  
SJAAN1ZV0N  
SJAAD14VXNC  
SJAAD14V1NC  
SJAA414V3NC  
SJAAM2ZV7N  
SJAAD14V7NC  
SJAAL1ZV4NC  
SJAAL14V9NC  
SJAAM2ZV0N  
SJAAD14V0NC  
SJAA514V6NC  
SJAAL1ZVXNC  
SJAAM2ZV8N  
SJAAD14V8NC  
SJAAS14V3NC  
SJAAS14V7NC  
SJAAL1ZV0NC  
SJAAL14V8NC  
SJAAL1ZV1NC  
SJAAL1ZV3NC  
SJAAM2ZV6N  
SJAAL1ZV1NC  
SJAA514V1NC  
SJAAS14V3NC  
SJAAM2ZV3N  
SJAAD14V3NC  
SJAAM2ZV7N  
SJAAM2ZV9N  
SJAAM14V9N  
SJAAD14V0NC  
SJAAM2ZV9N  
SJAAD14V9NC  
SJAAD14V0NC  
SJAAD14V2NC  
SJAAL1ZVXNC  
SJAAD14V6NC  
SJAA514V1NC  
SJAAS14V5NC  
SJAAL1ZV9NC

SJAAD14VXNC  
SJAA414V1NC  
SJAAD14V5NC  
SJAAM2ZV9NC  
SJAAL14V5NC  
SJAAM2ZV2NC  
SJAAR2ZV2NC  
SJAAL1ZVXNC  
SJAAD14V2NC  
SJAA514V8NC  
SJAAM2ZV8NC  
SJAAM2ZVXNC  
SJAAM2ZV3NC  
SJAAD14V3NC  
SJAAL14V1NC  
SJAA414V7NC  
SJAAM2ZV0NC  
SJAAD14V1NC  
SJAA514V7NC  
SJAAL1ZV0NC  
SJAAD14V7NC  
SJAAD14V9NC  
SJAAD14V0NC  
SJAAN1ZV5NC  
SJAA414V4NC  
SJAAM2ZV8NC  
SJAAL14V4NC  
SJAAL14V0NC  
SJAAL14V2NC  
SJAA514V1NC  
SJAA414VXNC  
SJAAS14V5NC  
SJAAL14VXNC  
SJAA414V7NC  
SJAAD14V9NC  
SJAAM2ZV2NC  
SJAAN1ZVXNC  
SJAAM2ZV0NC  
SJAAD14V0NC  
SJAAL1ZV8NC  
SJAAL1ZV1NC  
SJAAD14V8NC  
SJAAD14VXNC  
SJAAD14V1NC  
SJAAN1ZV2NC  
SJAAL14V8NC  
SJAA514V7NC  
SJAAM2ZV9NC  
SJAA514V2NC  
SJAAL14V7NC  
SJAAS14V6NC  
SJAAR2ZV4NC  
SJAAL14V2NC  
SJAA414V2NC  
SJAAD14V4NC  
SJAAM2ZV8NC  
SJAAR2ZVXNC  
SJAA414V1NC  
SJAAL14V1NC

SJAAD14V7NC  
SJAAL1ZV4NC  
SJAAL14V3NC  
SJAAR2ZV9NC  
SJAAL1ZV8NC  
SJAA414V4NC  
SJAAD14V6NC  
SJAA414VXNC  
SJAAD14V1NC  
SJAAD14V8NC  
SJAAM2ZV1N  
SJAAD14V1NC  
SJAAD14V3NC  
SJAAM2ZV7N  
SJAAD14V9NC  
SJAA514V4NC  
SJAA414V2NC  
SJAAN14V8NC  
SJAAM14V0N  
SJAA414V2NC  
SJAAD14V4NC  
SJAAN14VXN  
SJAAM14V8N  
SJAAD14VXNC  
SJAAR2ZV1NC  
SJAAL14VXNC  
SJAAM14V5N  
SJAAD14V7NC  
SJAA414V5NC  
SJAAL14V3NC  
SJAAM14V9N  
SJAA414V2NC  
SJAAL1ZVXNC  
SJAAM14V6N  
SJAAD14V8NC  
SJAAD14VXNC  
SJAAL14V2NC  
SJAAD14V8NC  
SJAAM2ZV1N  
SJAAD14V1NC  
SJAAN1ZV6N  
SJAA414V5NC  
SJAAM2ZV0N  
SJAAD14V0NC  
SJAAL14V9NC  
SJAA414V5NC  
SJAAN1ZV1N  
SJAAD14V0NC  
SJAA514V8NC  
SJAAN1ZV9N  
SJAAM2ZVXN  
SJAAD14VXNC  
SJAAL1ZV3NC  
SJAAD14VXNC  
SJAA414V5NC  
SJAAM14V7N  
SJAAL14V5NC  
SJAAD14V0NC  
SJAA514V6NC

SJAA514V8NC  
SJAAD14V0NC  
SJAAM2ZV4N  
SJAAD14V4NC  
SJAAD14V6NC  
SJAAD14V8NC  
SJAAD14VXNC  
SJAA414V1NC  
SJAA514V7NC  
SJAAR2ZV5NC  
SJAA414V7NC  
SJAAD14V3NC  
SJAA514V9NC  
SJAA414V7NC  
SJAAD14V8NC  
SJAAD14VXNC  
SJAAL1ZV7NC  
SJAA414V3NC  
SJAAL1ZV0NC  
SJAAL14V3NC  
SJAAD14V9NC  
SJAA414V0NC  
SJAAL14V5NC  
SJAAD14V0NC  
SJAA414V2NC  
SJAAL1ZVXNC  
SJAAD14V8NC  
SJAAR2ZVXN  
SJAAM2ZV3N  
SJAAD14V3NC  
SJAAM2ZV7N  
SJAA414V1NC  
SJAA514V7NC  
SJAAM2ZV7N  
SJAA514V0NC  
SJAAD14V9NC  
SJAAD14V0NC  
SJAAD14V4NC  
SJAAD14V6NC  
SJAAD14V8NC  
SJAAM2ZV6N  
SJAAM2ZV8N  
SJAAN14V1NC  
SJAAL1ZV5NC  
SJAAN14V5NC  
SJAA414V3NC  
SJAAD14V5NC  
SJAAL1ZV2NC  
SJAAD14V9NC  
SJAAM2ZV2N  
SJAAD14V7NC  
SJAA414V9NC  
SJAAD14V0NC  
SJAAD14V2NC  
SJAAD14V4NC  
SJAAL1ZV1NC  
SJAAR2ZV8NC  
SJAAM2ZV1N  
SJAAM2ZV5N

SJAAD14VXNC  
SJAAM2ZV3NC  
SJAAL1ZV9NC  
SJAAD14V5NC  
SJAA414V7NC  
SJAAD14V9NC  
SJAAD14V0NC  
SJAAD14V2NC  
SJAAR2ZV4NC  
SJAA414V6NC  
SJAAM2ZV2NC  
SJAAM2ZV4NC  
SJAAL14V0NC  
SJAAM2ZV8NC  
SJAA414V8NC  
SJAAM2ZV1NC  
SJAAM14V1NC  
SJAAN1ZV8NC  
SJAAD14V1NC  
SJAAM2ZV5NC  
SJAA514V9NC  
SJAAD14V7NC  
SJAAR2ZV9NC  
SJAAD14V0NC  
SJAAD14V4NC  
SJAAD14V6NC  
SJAAD14V8NC  
SJAAL14V0NC  
SJAA414V6NC  
SJAA514V1NC  
SJAAD14V1NC  
SJAAD14V3NC  
SJAAM2ZV7NC  
SJAAM14V9NC  
SJAAR2ZV7NC  
SJAA514V2NC  
SJAAD14V0NC  
SJAAD14V2NC  
SJAAM2ZV8NC  
SJAAM2ZVXNC  
SJAA514V3NC  
SJAAM2ZV3NC  
SJAAD14V3NC  
SJAAL14V9NC  
SJAAM14V9NC  
SJAAD14V2NC  
SJAA414V4NC  
SJAAR2ZV6NC  
SJAAM14V2NC  
SJAA514V8NC  
SJAA414V6NC  
SJAAD14V8NC  
SJAA514V3NC  
SJAAM14V1NC  
SJAAL1ZV9NC

SJAAM2ZV7NC  
SJAAM2ZV9NC  
SJAAM2ZV0NC  
SJAAD14V5NC  
SJAAD14V7NC  
SJAAM14V9NC  
SJAAD14V0NC  
SJAA514V6NC  
SJAA414V4NC  
SJAAD14V8NC  
SJAAD14VXNC  
SJAAM14V1NC  
SJAAD14V8NC  
SJAAD14VXNC  
SJAA414V1NC  
SJAAM2ZV5NC  
SJAA514V9NC  
SJAAM2ZV9NC  
SJAAM14V9NC  
SJAAD14V0NC  
SJAAM2ZV4NC  
SJAAD14V4NC  
SJAAD14V0NC  
SJAAM14V2NC  
SJAAM2ZV6NC  
SJAAD14V8NC  
SJAAD14VXNC  
SJAAD14V3NC  
SJAAD14V5NC  
SJAA414V7NC  
SJAAD14V3NC  
SJAAM2ZV7NC  
SJAAL1ZV2NC  
SJAAD14V0NC  
SJAAD14V2NC  
SJAAM2ZV6NC  
SJAAL1ZV1NC  
SJAAD14V8NC  
SJAAD14VXNC  
SJAAM14V2NC  
SJAA414V4NC  
SJAAM2ZV8NC  
SJAAD14V8NC  
SJAAD14VXNC  
SJAAM14V1NC  
SJAAL1ZV9NC  
SJAA414V5NC  
SJAAD14V7NC  
SJAAL1ZV4NC  
SJAAM2ZV9NC  
SJAAD14V9NC  
SJAAD14V0NC  
SJAAD14V2NC  
SJAAD14V4NC  
SJAAM14V6NC  
SJAAM2ZVXNC  
SJAA414VXNC  
SJAAD14V1NC  
SJAAM2ZVXNC

SJAA414VXNC  
SJAAR2ZV1NC  
SJAAD14V3NC  
SJAAL1ZV0NC  
SJAAM2ZV9N  
SJAAL14V5NC  
SJAAL1ZV6NC  
SJAAR2ZV2NC  
SJAAD14V0NC  
SJAAM2ZV6NC  
SJAAM2ZV8N  
SJAAM2ZVXN  
SJAAM2ZV1N  
SJAAR2ZV1NC  
SJAA514V7NC  
SJAAM14V5NC  
SJAAM2ZV9N  
SJAAD14V3NC  
SJAAM2ZV7N  
SJAAM2ZV9N  
SJAAR2ZV9NC  
SJAAD14V0NC  
SJAAM2ZV4N  
SJAAD14V4NC  
SJAAD14V8NC  
SJAAM2ZV1N  
SJAAM2ZV8N  
SJAAD14V8NC  
SJAAM2ZV1N  
SJAAM2ZV3N  
SJAA514V7NC  
SJAAD14V5NC  
SJAAM2ZV9N  
SJAAD14V9NC  
SJAA414V0NC  
SJAAD14V2NC  
SJAAD14V9NC  
SJAAM2ZV2N  
SJAA414V2NC  
SJAAM2ZV6N  
SJAAD14V6NC  
SJAA414V8NC  
SJAAM2ZV3NC  
SJAA514V3NC  
SJAAN1ZV4NC  
SJAA514V7NC  
SJAAD14V1NC  
SJAAD14V3NC  
SJAAL1ZV0NC  
SJAAM2ZV9N  
SJAAD14V9NC  
SJAAD14V0NC  
SJAAN1ZV5NC  
SJAAD14V4NC  
SJAAL14V4NC  
SJAAD14V4NC  
SJAAM2ZV6NC  
SJAAD14V4NC  
SJAAM2ZV6NC  
SJAAD14V8NC  
SJAAD14V1NC  
SJAAD14V8NC  
SJAAD14V1NC

SJAAM2ZV5NC  
SJAAM14V5NC  
SJAA414V7NC  
SJAAM2ZV0NC  
SJAAD14V0NC  
SJAAL1ZV4NC  
SJAAN1ZV3NC  
SJAA414V2NC  
SJAA514V8NC  
SJAAM2ZVXNC  
SJAAM2ZV1NC  
SJAAM2ZV3NC  
SJAAM2ZV5NC  
SJAA514VXNC  
SJAA514V1NC  
SJAA514V3NC  
SJAAL14V8NC  
SJAAL1ZV9NC  
SJAAD14V5NC  
SJAAL1ZV2NC  
SJAAM2ZV0NC  
SJAA414V0NC  
SJAAL1ZV8NC  
SJAAM2ZV0NC  
SJAAR2ZV0NC  
SJAA414V2NC  
SJAAL1ZVXNC  
SJAAK14V9NC  
SJAAL1ZV3NC  
SJAA414VXNC  
SJAAL1ZV7NC  
SJAAM2ZV5NC  
SJAAM14V1NC  
SJAA414V3NC  
SJAAR2ZV5NC  
SJAAM2ZV9NC  
SJAA514V4NC  
SJAA514V6NC  
SJAA514V8NC  
SJAAM2ZV8NC  
SJAA514V1NC  
SJAAM2ZV6NC  
SJAAM2ZV8NC  
SJAAM2ZV1NC  
SJAAL14V6NC  
SJAA414V1NC  
SJAAL1ZV9NC  
SJAAL14V1NC  
SJAAD14V7NC  
SJAAL1ZV4NC  
SJAAR2ZV7NC  
SJAAM14V9NC  
SJAA514V4NC  
SJAA514V6NC  
SJAAD14V6NC  
SJAAD14V8NC  
SJAA514V3NC  
SJAAM2ZV3NC  
SJAAM14V3NC

SJAA414VXNC  
SJAAD14V1NC  
SJAAM2ZV5N  
SJAAM2ZV7N  
SJAAL1ZV2NC  
SJAAD14V9NC  
SJAAM2ZV2N  
SJAAD14V2NC  
SJAAM2ZV6N  
SJAA514VXNC  
SJAA514V6NC  
SJAA514V8NC  
SJAAD14V8NC  
SJAAM2ZV1N  
SJAAR2ZV1NC  
SJAAD14V3NC  
SJAA514V9NC  
SJAAD14V7NC  
SJAA414V9NC  
SJAAD14V5NC  
SJAAL1ZV2NC  
SJAAD14V0NC  
SJAAN1ZV5NC  
SJAAM2ZV6N  
SJAAD14V6NC  
SJAAM2ZVXN  
SJAA514V3NC  
SJAA514V5NC  
SJAAM2ZVXN  
SJAAR2ZVXNC  
SJAAL14V8NC  
SJAAD14V3NC  
SJAAL14V1NC  
SJAAD14V7NC  
SJAA514V2NC  
SJAA514V6NC  
SJAA514V8NC  
SJAAL14V7NC  
SJAAL1ZVXNC  
SJAAD14V6NC  
SJAAD14V8NC  
SJAAD14V1NC  
SJAAM2ZV7NC  
SJAAD14V7NC  
SJAAR2ZV5NC  
SJAA514V0NC  
SJAAR2ZV0NC  
SJAAL14V9NC  
SJAAN14V8NC  
SJAAR2ZV2NC  
SJAA514V8NC  
SJAAM2ZV8N  
SJAAL14V6NC  
SJAAM14V1NC  
SJAAL1ZV9NC  
SJAAM2ZV7N  
SJAAL1ZV2NC

SJAA514V7NC  
SJAAM2ZV9N  
SJAAL14V5NC  
SJAAL1ZV6NC  
SJAA514V8NC  
SJAA514V1NC  
SJAAL14V6NC  
SJAAR2ZV6NC  
SJAAM14V8N  
SJAAR2ZVXN  
SJAAD14V1NC  
SJAA514V7NC  
SJAA514V9NC  
SJAAM14V7N  
SJAAD14V9NC  
SJAA514V4NC  
SJAAL14V5NC  
SJAAD14V0NC  
SJAAD14V2NC  
SJAAM2ZV6N  
SJAA514VXNC  
SJAAD14VXN  
SJAA514V5NC  
SJAAD14V3NC  
SJAAL1ZV0NC  
SJAAD14V1NC  
SJAAL1ZV9NC  
SJAAD14V5NC  
SJAA414V9NC  
SJAA514V4NC  
SJAAK14V5NC  
SJAAL1ZVXNC  
SJAAL1ZV1NC  
SJAAL1ZV3NC  
SJAAD14V4NC  
SJAA514V1NC  
SJAAM2ZV1N  
SJAAM14V1N  
SJAAL14V1NC  
SJAAL14V3NC  
SJAAM2ZV0N  
SJAAM2ZV9N  
SJAA514VXNC  
SJAAM2ZVXN  
SJAAK14V2NC  
SJAAL1ZV7NC  
SJAAL14VXNC  
SJAAN1ZV2N  
SJAA514V5NC  
SJAAD14V3NC  
SJAAR2ZV5NC  
SJAAM2ZV9N  
SJAAM2ZV0N  
SJAAL14V7NC  
SJAAM2ZV4N  
SJAA514V8NC  
SJAAM2ZV8N  
SJAAD14V2NC  
SJAAM14V4N

INTERNAL

SJAA514V1NC  
SJAA514V3NC  
SJAAL1ZV7N  
SJAAM14V3N  
SJAAD14V5N  
SJAA514V0NC  
SJAAL1ZV4N  
SJAAL1ZV7N  
SJAAM2ZV5N  
SJAAM2ZV9N  
SJAAM2ZV0N  
SJAAM14V0N  
SJAAL1ZV8N  
SJAAM2ZV6N  
SJAAD14V6N  
SJAAD14V8N  
SJAAM2ZV6N  
SJAAD14V6N  
SJAAD14V8N  
SJAAM2ZV1N  
SJAAD14V1N  
SJAAL14VXN  
SJAA514V9NC  
SJAAM14V7N  
SJAAL1ZV4N  
SJAA514V4NC  
SJAAM2ZV9N  
SJAAL14V5NC  
SJAAD14V0N  
SJAAM14V2N  
SJAAL14V2NC  
SJAAL14V4NC  
SJAAL1ZV5N  
SJAAR2ZV1N  
SJAAL14VXN  
SJAAM2ZV1N  
SJAA514V5NC  
SJAAM2ZV7N  
SJAAM14V7N  
SJAA514V2NC  
SJAAL1ZV6N  
SJAAM2ZV4N  
SJAAD14V4N  
SJAAN14VXN  
SJAAM2ZV4N  
SJAAM2ZV6N  
SJAA514VXNC  
SJAA514V3NC  
SJAAD14V1N  
SJAAD14V3N  
SJAAD14V5N  
SJAAM2ZV9N  
SJAAM14V9N  
SJAAD14V5N  
SJAAL14V3NC  
SJAAM2ZV0N  
SJAAD14V0N  
SJAAM14V2N  
SJAAD14V4N

SJAAD14V6NC  
SJAAD14V8NC  
SJAAD14VXNC  
SJAA514V5NC  
SJAAM2ZVXN  
SJAA514V3NC  
SJAAR2ZV1NC  
SJAAD14V3NC  
SJAA514V0NC  
SJAA514V4NC  
SJAAD14V2NC  
SJAAM2ZV6N  
SJAAD14V0NC  
SJAAD14V2NC  
SJAAD14V4NC  
SJAAR2ZVXNC  
SJAAD14V1NC  
SJAAD14V3NC  
SJAAL14V1NC  
SJAAM14V3NC  
SJAAL14V1NC  
SJAAD14V7NC  
SJAAL14V5NC  
SJAAL14V9NC  
SJAAD14V4NC  
SJAAL14V2NC  
SJAAM14V8NC  
SJAAD14VXNC  
SJAAM2ZVXN  
SJAA514V3NC  
SJAAL14VXNC  
SJAA514V9NC  
SJAAM2ZV6N  
SJAAL14V5NC  
SJAAL14V9NC  
SJAAM2ZV6N  
SJAAL14V5NC  
SJAAL14V9NC  
SJAAL1ZV2NC  
SJAAL14V5NC  
SJAAM2ZV6N  
SJAAD14V6NC  
SJAAM2ZVXN  
SJAAR2ZVXNC  
SJAAD14V8NC  
SJAAL14V6NC  
SJAAD14V3NC  
SJAAD14V5NC  
SJAAD14V7NC  
SJAAD14V9NC  
SJAAL14V7NC  
SJAAD14V9NC  
SJAAL14V7NC  
SJAAD14V2NC  
SJAAD14V4NC  
SJAAD14V0NC  
SJAAD14V2NC  
SJAAM2ZV9N  
SJAAM14V9N  
SJAAD14V5N  
SJAAL14V3NC  
SJAAM2ZV0N  
SJAAD14V0N  
SJAAM14V2N  
SJAAR2ZV7NC

SJAAD14V3NC  
SJAAM2ZV7N  
SJAAD14V7NC  
SJAA514V2NC  
SJAAM2ZV2N  
SJAAM2ZV6N  
SJAAM2ZV8N  
SJAAD14V8NC  
SJAAM14VXN  
SJAAR2ZV6NC  
SJAAL14V4NC  
SJAAD14VXNC  
SJAAD14V1NC  
SJAAL14VXNC  
SJAAM14V7N  
SJAAM2ZV0N  
SJAAD14V0NC  
SJAAD14V2NC  
SJAA514V2NC  
SJAAL14V9NC  
SJAAM2ZV6N  
SJAAM2ZV6N  
SJAAL1ZV3NC  
SJAAD14VXNC  
SJAAL14V8NC  
SJAA514V9NC  
SJAAM2ZV3N  
SJAAD14V3NC  
SJAA514V9NC  
SJAA514V0NC  
SJAAR2ZV9NC  
SJAAD14V0NC  
SJAAM2ZV6N  
SJAAM2ZV6N  
SJAAD14V4NC  
SJAAD14V4NC  
SJAAD14V6NC  
SJAAL14V6NC  
SJAAR2ZV1NC  
SJAAD14V3NC  
SJAAM2ZV7N  
SJAAD14V7NC  
SJAAD14V9NC  
SJAAD14V0NC  
SJAA514V0NC  
SJAAD14V9NC  
SJAAL14V7NC  
SJAA514V6NC  
SJAAL14V2NC  
SJAAD14V8NC  
SJAAN1ZV2N  
SJAAD14V3NC  
SJAAD14VXNC  
SJAAD14V1NC  
SJAAM2ZV5N  
SJAAL1ZV2NC  
SJAA514V2NC  
SJAAM2ZV2N  
SJAAD14V2NC  
SJAAM2ZV2N

SJAAL1ZV1NC  
SJAAD14V9NC  
SJAAN1ZV3NC  
SJAAD14V2NC  
SJAAD14V4NC  
SJAA514VXNC  
SJAAL14V4NC  
SJAAL14V6NC  
SJAAL1ZV7NC  
SJAAL14VXNC  
SJAAD14V5NC  
SJAA514V5NC  
SJAAD14V3NC  
SJAAL14V1NC  
SJAAD14V7NC  
SJAAD14V9NC  
SJAA514V4NC  
SJAAD14V2NC  
SJAAD14V6NC  
SJAAD14V8NC  
SJAAD14V4NC  
SJAAD14V4NC  
SJAA514VXNC  
SJAAL14V4NC  
SJAAL14V6NC  
SJAAL14V8NC  
SJAAD14V5NC  
SJAA514V0NC  
SJAAL14V5NC  
SJAAM2ZV2N  
SJAAN1ZVXNC  
SJAAM2ZV0N  
SJAAD14V2NC  
SJAAD14V4NC  
SJAAD14V6NC  
SJAAD14V8NC  
SJAAD14VXNC  
SJAAD14V1NC  
SJAAM2ZV5N  
SJAA514V3NC  
SJAAD14V3NC  
SJAAL14V1NC  
SJAA514V0NC  
SJAA514V4NC  
SJAAM2ZV4N  
SJAAD14V4NC  
SJAAD14V6NC  
SJAA514V6NC  
SJAAD14V4NC  
SJAA514VXNC  
SJAAM2ZVXN  
SJAAL14V6NC  
SJAAM2ZV3N  
SJAAD14V3NC  
SJAAM14V5NC  
SJAAD14V7NC  
SJAA514V2NC  
SJAAL1ZV0NC  
SJAAD14V7NC  
SJAAD14V9NC

SJAA514V4NC  
SJAAM2ZV4N  
SJAAN1ZV7N  
SJAAL1ZV1NC  
SJAA514V1NC  
SJAA514V3NC  
SJAAM2ZV3N  
SJAAL14V4NC  
SJAAD14VXN  
SJAAR2ZV1NC  
SJAA514V7NC  
SJAAL14V1NC  
SJAAR2ZV7NC  
SJAAD14V9NC  
SJAAD14V0NC  
SJAAL1ZV8NC  
SJAA514V8NC  
SJAA514V4NC  
SJAAL1ZV8NC  
SJAAD14V4NC  
SJAAN14VXN  
SJAAD14V8NC  
SJAAM2ZV1N  
SJAAD14V1NC  
SJAAM2ZV5N  
SJAA514V9NC  
SJAA514V0NC  
SJAAD14V3NC  
SJAAL14V1NC  
SJAAR2ZV7NC  
SJAAD14V9NC  
SJAAL1ZV6NC  
SJAA514V6NC  
SJAAL14V0NC  
SJAAD14V6NC  
SJAAL14V0NC  
SJAAM24V2N  
SJAAM2ZV4N  
SJAA514V8NC  
SJAAD14V6NC  
SJAAL14V1NC  
SJAA414VXNC  
SJAAL1ZV7NC  
SJAAD14V3NC  
SJAA414V5NC  
SJAAD14V7NC  
SJAAD14V7NC  
SJAAD14V2NC  
SJAAL14V5NC  
SJAAD14V7NC  
SJAAL1ZV7NC  
SJAAD14V3NC  
SJAA414V5NC  
SJAAD14V7NC  
SJAAL1ZV7NC  
SJAAD14V3NC  
SJAAM2ZV4N  
SJAAL1ZVXNC  
SJAAM2ZVXN  
SJAAM2ZVXN  
SJAAL1ZV0NC  
SJAAD14V7NC  
SJAAR2ZV8NC  
SJAAL1ZV5NC

SJAA414V1NC	SJAA414V3NC	SJAAM2ZV5NC	SJAAD14V7NC	SJAAL1ZV8NC
SJAAD14V3N	SJAA514V9NC	SJAA514V0NC	SJAAD14V9NC	SJAAR2ZV4NC
SJAAL14V1NC	SJAA514V0NC	SJAAD14V9NC	SJAA414V0NC	SJAAM2ZV8N
SJAA414V7NC	SJAAD14V9N	SJAAM14V0NC	SJAAM2ZV4N	SJAA414V8NC
SJAAL1ZV4N	SJAA414V0NC	SJAA414V4NC	SJAAL14V0NC	SJAAD14V4NC
SJAA514V4NC	SJAAL14V3NC	SJAAM2ZV8NC	SJAA414V6NC	SJAAD14V6NC
SJAA414V2NC	SJAA414V0NC	SJAAL1ZV8NC	SJAAL14V6NC	SJAAD14V8NC
SJAAD14V4N	SJAAL1ZV8N	SJAAM2ZV6NC	SJAA414V1NC	SJAAL14V6NC
SJAA514V4NC	SJAAR2ZV4N	SJAAL1ZV1NC	SJAAD14V8NC	SJAAD14V1NC
SJAAN1ZV7N	SJAA414V6NC	SJAAL1ZV3NC	SJAA414V1NC	SJAA514V7NC
SJAAL1ZV1N	SJAAD14V8N	SJAA414VXNC	SJAAN1ZV6N	SJAAL14V1NC
SJAA414V8NC	SJAAM2ZV1N	SJAA514V5NC	SJAAM2ZV7N	SJAAM2ZV9N
SJAAL1ZV5N	SJAA414V1NC	SJAAL14VXNC	SJAA414V7NC	SJAA514V4NC
SJAAM2ZV3N	SJAAD14V3N	SJAAM2ZV9NC	SJAAL14V5NC	SJAA514V9NC
SJAAM2ZV7N	SJAAD14V8N	SJAAD14V9NC	SJAAM14V0N	SJAAD14V7NC
SJAAD14V7N	SJAAL1ZV5N	SJAAM2ZV0NC	SJAAD14V2NC	SJAAL1ZV4NC
SJAA414V3NC	SJAA414V1NC	SJAAM2ZV4NC	SJAAD14V0NC	SJAAD14V0NC
SJAA514V9NC	SJAAM2ZV5N	SJAAM2ZV8NC	SJAAM2ZV4N	SJAAM2ZV4N
SJAA514V0NC	SJAA514V9NC	SJAA414V8NC	SJAAM2ZV6N	SJAAM2ZV6N
SJAA414V9NC	SJAA414V7NC	SJAAM2ZV1NC	SJAA414V6NC	SJAA414V8NC
SJAAD14V0N	SJAAM2ZV0N	SJAAM14V1NC	SJAAD14V8NC	SJAAN1ZV2NC
SJAAD14V2N	SJAAD14V0N	SJAA514V3NC	SJAAM2ZV1N	SJAAM2ZV8N
SJAA414V4NC	SJAA514V6NC	SJAAD14V1NC	SJAA514V5NC	SJAA414V8NC
SJAAM2ZV8N	SJAA514V2NC	SJAAM2ZV5NC	SJAAD14V3NC	SJAAM14VXN
SJAAD14V8N	SJAA414V0NC	SJAA414V5NC	SJAAM2ZV7N	SJAAD14V3NC
SJAA414VXNC	SJAAR2ZV4N	SJAAM2ZV9NC	SJAAM2ZV9N	SJAAM2ZV7N
SJAAM2ZV8N	SJAAM14V6N	SJAAM2ZV0NC	SJAA414V3NC	SJAA414V7NC
SJAAD14V8N	SJAAD14V8N	SJAA514V4NC	SJAAD14V5NC	SJAAM14V9NC
SJAA414VXNC	SJAAM2ZV1N	SJAAM2ZV4NC	SJAAL14V3NC	SJAAD14V0NC
SJAAM2ZV3N	SJAAD14V1N	SJAAM2ZV6NC	SJAAD14V9NC	SJAAD14V2NC
SJAAM2ZV5N	SJAAD14V3N	SJAAM2ZV2NC	SJAA414V0NC	SJAA414V9NC
SJAA414V5NC	SJAA414V1NC	SJAA514V6NC	SJAAL14V9NC	SJAAM2ZV2N
SJAAD14V7N	SJAAM2ZV5N	SJAAD14V6NC	SJAAM2ZV6N	SJAAL1ZV8NC
SJAA414V0NC	SJAAD14V5N	SJAAM2ZVXNC	SJAA414V6NC	SJAAD14V4NC
SJAAL1ZV8N	SJAAD14V7N	SJAA514V3NC	SJAAD14V8NC	SJAAM2ZV8N
SJAAM2ZV0N	SJAA514V2NC	SJAAN1ZV4NC	SJAAM2ZV1N	SJAA414V8NC
SJAA414V0NC	SJAAL1ZV6N	SJAA414V3NC	SJAAM14V6N	SJAA514V5NC
SJAAL14V9NC	SJAA514V6NC	SJAAR2ZV5NC	SJAA514V1NC	SJAA414V3NC
SJAAM2ZV6N	SJAA514V8NC	SJAA514V0NC	SJAAD14VXN	SJAA514V9NC
SJAA414V6NC	SJAA414V6NC	SJAAR2ZVXNC	SJAAR2ZV1NC	SJAAD14V1NC
SJAAM2ZVXN	SJAAL14V4NC	SJAA414V1NC	SJAAM2ZV5N	SJAAD14V3NC
SJAAD14VXN	SJAAM14V4N	SJAAD14V3NC	SJAA414V7NC	SJAAD14V5NC
SJAAL1ZV9N	SJAAM2ZV8N	SJAAM24V8NC	SJAAM2ZV0N	SJAAM2ZV9N
SJAAL1ZV0N	SJAAD14V8N	SJAA414V7NC	SJAAD14V0NC	SJAAL14V5NC
SJAA414V1NC	SJAAM2ZV1N	SJAAR2ZV9NC	SJAA514V2NC	SJAAD14V0NC
SJAAD14V3N	SJAAM2ZV3N	SJAAL14V7NC	SJAAD14V0NC	SJAAD14V2NC
SJAA514V9NC	SJAAL14VXN	SJAA414V2NC	SJAA414V2NC	SJAAD14V6NC
SJAA414V7NC	SJAAM2ZV9N	SJAA514V8NC	SJAAR2ZV4NC	SJAAD14V8NC
SJAAL14V5NC	SJAAD14V9N	SJAAM2ZV8NC	SJAAM2ZV8N	SJAAD14V4NC
SJAAD14V0N	SJAAM2ZV2N	SJAA514V6NC	SJAAM2ZVXN	SJAAM2ZV8N
SJAA414V2NC	SJAA514V0NC	SJAA414V4NC	SJAA414VXNC	SJAAD14V8NC
SJAA514V8NC	SJAA414V0NC	SJAAM2ZV8NC	SJAAM2ZV5N	SJAAM2ZV1N
SJAAD14V6N	SJAAL1ZV8N	SJAAM2ZVXNC	SJAAD14V5NC	SJAA414V1NC
SJAA414V8NC	SJAAD14V4N	SJAA414VXNC	SJAA414V1NC	SJAAM2ZV5N
SJAA514V8NC	SJAA514V1NC	SJAAL14V8NC	SJAAM2ZV5N	SJAAM14V7NC
SJAA514VXNC	SJAAD14VXN	SJAAM2ZV5NC	SJAAM2ZV7N	SJAAM2ZV0N
SJAA414V8NC	SJAA514V7NC	SJAA414V7NC	SJAAD14V7NC	SJAAD14V0NC
SJAA514V3NC	SJAAR2ZVXN	SJAAM2ZV0NC	SJAA414V9NC	SJAAD14V9NC
SJAAM2ZV3N	SJAAD14V1N	SJAAD14V5NC	SJAAD14V0NC	SJAAD14V0NC

SJAA514V6NC  
SJAAM2ZV6N  
SJAAM14V6N  
SJAAN14V1NC  
SJAAM2ZV1N  
SJAAM2ZV3N  
SJAAM2ZV5N  
SJAAM2ZV1N  
SJAAL1ZV9NC  
SJAAL1ZV0NC  
SJAAD14V7NC  
SJAAM2ZV0N  
SJAA414V0NC  
SJAAS14V8NC  
SJAAM2ZV8N  
SJAAS14V2NC  
SJAAL14V0NC  
SJAAM2ZV8N  
SJAAL1ZV3NC  
SJAAL14V6NC  
SJAA414V3NC  
SJAAD14V5NC  
SJAAD14V9NC  
SJAAS14V5NC  
SJAAM14V7N  
SJAAN1ZV1N  
SJAAS14V4NC  
SJAAS14V2NC  
SJAAD14V4NC  
SJAAS14VXNC  
SJAAD14V8NC  
SJAAD14VXNC  
SJAAD14V1NC  
SJAAD14V8NC  
SJAAM2ZV1N  
SJAAD14V1NC  
SJAAM2ZV5N  
SJAAM2ZV7N  
SJAAM2ZV9N  
SJAAM2ZV0N  
SJAAD14V0NC  
SJAAR2ZV2NC  
SJAAD14V7NC  
SJAAM2ZV2N  
SJAAD14V2NC  
SJAAD14V6NC  
SJAAD14VXNC  
SJAAL14V8NC  
SJAAS14V3NC  
SJAAS14V3NC  
SJAAM2ZV3N  
SJAAS14V3NC  
SJAAM2ZV7N  
SJAAM2ZV9N  
SJAAR2ZV9NC  
SJAAL14V9NC  
SJAAD14V4NC  
SJAAD14V6NC  
SJAAS14V6NC

SJAAM2ZV6NC  
SJAAS14V8NC  
SJAAM2ZV1NC  
SJAAS14V5NC  
SJAAS14V3NC  
SJAAM14V5NC  
SJAAN1ZVXNC  
SJAAS14V2NC  
SJAAM2ZV7NC  
SJAAD14V7NC  
SJAAL1ZV4NC  
SJAAS14V4NC  
SJAAS14V2NC  
SJAAD14V4NC  
SJAAS14VXNC  
SJAAD14V8NC  
SJAAD14VXNC  
SJAAM2ZV3NC  
SJAAS14V1NC  
SJAAL1ZV5NC  
SJAAM2ZV3NC  
SJAAL1ZV9NC  
SJAAD14V5NC  
SJAAR2ZV7NC  
SJAAS14V2NC  
SJAAM2ZV2NC  
SJAAD14V2NC  
SJAAS14V4NC  
SJAAD14V0NC  
SJAAL1ZV8NC  
SJAAD14V4NC  
SJAAM2ZV8NC  
SJAAD14V8NC  
SJAAS14VXNC  
SJAAS14V7NC  
SJAAM2ZV7NC  
SJAAM2ZV9NC  
SJAAS14V9NC  
SJAAD14V9NC  
SJAAM2ZV4NC  
SJAAD14V4NC  
SJAAM2ZV8NC  
SJAAS14V3NC  
SJAAD14V6NC  
SJAAD14V8NC  
SJAAS14V5NC  
SJAAD14V3NC  
SJAAD14V5NC  
SJAAD14V7NC  
SJAAS14V2NC  
SJAAD14V0NC  
SJAAM2ZV4NC  
SJAAD14V9NC  
SJAAM2ZV2NC  
SJAAL1ZV8NC  
SJAAD14V4NC  
SJAAL14V2NC  
SJAAS14V1NC  
SJAAS14V3NC

SJAAM2ZV3NC  
SJAAM2ZV5NC  
SJAAS14V5NC  
SJAAS14V5NC  
SJAAL14V1NC  
SJAAM2ZV9NC  
SJAAD14V9NC  
SJAAS14V4NC  
SJAAD14V2NC  
SJAAS14V4NC  
SJAAM2ZV8NC  
SJAAL14V4NC  
SJAAD14V0NC  
SJAAS14V2NC  
SJAAM2ZV6NC  
SJAAL14V2NC  
SJAAD14VXNC  
SJAAD14V1NC  
SJAAD14V3NC  
SJAAL1ZV2NC  
SJAAM2ZV5NC  
SJAAD14V5NC  
SJAAD14V7NC  
SJAAD14V9NC  
SJAAM2ZV2NC  
SJAAD14V2NC  
SJAAD14V4NC  
SJAAD14V6NC  
SJAAM2ZV1NC  
SJAAD14V6NC  
SJAAM2ZVXNC  
SJAAS14VXNC  
SJAAM2ZV3NC  
SJAAL14VXNC  
SJAAS14V9NC  
SJAAS14V7NC  
SJAAS14V2NC  
SJAAL1ZV6NC  
SJAAL1ZV8NC  
SJAAS14V9NC  
SJAAD14V0NC  
SJAAM2ZV4NC  
SJAAM2ZV6NC  
SJAAL1ZV1NC  
SJAAM2ZVXNC  
SJAAS14V3NC  
SJAAM2ZV5NC  
SJAAM2ZV7NC  
SJAAL14V8NC  
SJAAS14V5NC  
SJAAM2ZV9NC  
SJAAS14V0NC  
SJAAM14V2NC  
SJAAM2ZV6NC  
SJAAK14V9NC  
SJAAS14V8NC  
SJAAL1ZVXNC  
SJAAD14V6NC  
SJAAD14V8NC

SJAAS14VXNC  
SJAAM2ZV3N  
SJAAM2ZV5N  
SJAAL1ZV0NC  
SJAAL14V3NC  
SJAAM2ZV0N  
SJAAM2ZV9N  
SJAAM2ZV0N  
SJAAM2ZV2N  
SJAAS14V6NC  
SJAAS14V4NC  
SJAAS14VXNC  
SJAAM2ZVXN  
SJAAD14VXNC  
SJAAS14V7NC  
SJAAM2ZV1N  
SJAAM2ZV3N  
SJAAM2ZV5N  
SJAAM2ZV7N  
SJAAD14V7NC  
SJAAS14V9NC  
SJAAD14V2NC  
SJAAD14V4NC  
SJAAM2ZV8N  
SJAAD14V2NC  
SJAAM2ZV6N  
SJAAL1ZV1NC  
SJAAS14V1NC  
SJAAM2ZV1N  
SJAAD14V1NC  
SJAAS14V3NC  
SJAAD14V5NC  
SJAAM2ZV9N  
SJAAM2ZV0N  
SJAAD14V5NC  
SJAAD14V7NC  
SJAAS14V2NC  
SJAAL1ZV6NC  
SJAAM2ZV4N  
SJAAD14V6NC  
SJAAM2ZVXN  
SJAAL1ZV7NC  
SJAAS14V2NC  
SJAAL1ZV7NC  
SJAAL14V7NC  
SJAAN14VXN  
SJAAM2ZVXN  
SJAAM2ZV1N  
SJAAL14V8NC  
SJAAN1ZV6N  
SJAAL14V1NC  
SJAAL14V3NC  
SJAAD14V9NC  
SJAAD14V5NC  
SJAAD14V7NC  
SJAAD14V9NC  
SJAAD14V0NC  
SJAAM2ZV4N  
SJAAS14V4NC  
SJAAS14V1NC

SJAAL14V6NC  
SJAAD14V1NC  
SJAAD14V8NC  
SJAAM2ZV3N  
SJAAM2ZV5N  
SJAAD14V7NC  
SJAAS14V3NC  
SJAAD14V4NC  
SJAAD14V0NC  
SJAAS14V8NC  
SJAAL14V2NC  
SJAAM2ZV1N  
SJAAD14V1NC  
SJAAS14V9NC  
SJAAS14V0NC  
SJAAS14V9NC  
SJAAM2ZV9N  
SJAAM14V0NC  
SJAAS14V6NC  
SJAAL1ZVXNC  
SJAAM2ZV8N  
SJAAD14V8NC  
SJAAD14V6NC  
SJAAL1ZV5NC  
SJAAD14V3NC  
SJAAM2ZV7N  
SJAAS14V0NC  
SJAAD14V0NC  
SJAAN1ZV5NC  
SJAAD14V9NC  
SJAAS14V3NC  
SJAAS14V6NC  
SJAAM2ZV6N  
SJAAM2ZV8N  
SJAAS14V1NC  
SJAAM2ZV3N  
SJAAS14V7NC  
SJAAM2ZV7N  
SJAAL14V8NC  
SJAAM2ZV5N  
SJAAD14V5NC  
SJAAM2ZV9N  
SJAAD14V9NC  
SJAAM14V2NC  
SJAAD14V4NC  
SJAAM2ZV8N  
SJAAM2ZVXN  
SJAAS14V7NC  
SJAAD14V8NC  
SJAAL14V6NC  
SJAAS14V5NC  
SJAAD14V3NC  
SJAAM14V5NC  
SJAAD14V7NC  
SJAAL1ZV4NC  
SJAAM2ZV2N  
SJAAL14V3NC  
SJAAM2ZV2N  
SJAAD14V2NC

SJAAL14V0NC  
SJAAS14V1NC  
SJAAD14VXN  
SJAAD14V3N  
SJAAM2ZV8N  
SJAAM14V8N  
SJAAD14VXN  
SJAAD14V1N  
SJAAM2ZV5N  
SJAAD14V5N  
SJAAS14V0NC  
SJAAL14V5NC  
SJAAN14V6N  
SJAAS14V2NC  
SJAAM2ZV4N  
SJAAD14V6N  
SJAAM2ZVXN  
SJAAD14VXN  
SJAAM14V1N  
SJAAD14V3N  
SJAAM2ZV7N  
SJAAS14V5NC  
SJAAM2ZV5N  
SJAAN14V9N  
SJAAM2ZV9N  
SJAAS14V2NC  
SJAAS14V0NC  
SJAAD14V2N  
SJAAD14V4N  
SJAAM24V9N  
SJAAM2ZVXN  
SJAAM2ZV6N  
SJAAS14V1NC  
SJAAM2ZV1N  
SJAAD14V1N  
SJAAM14V5N  
SJAAS14V0NC  
SJAAM2ZV0N  
SJAAD14V0N  
SJAAD14V7N  
SJAAS14V2NC  
SJAAD14V0N  
SJAAD14V4N  
SJAAD14V6N  
SJAAM2ZV1N  
SJAAD14V1N  
SJAAD14V3N  
SJAAN1ZV4N  
SJAAD14V3N  
SJAAS14V9NC  
SJAAL14V3NC  
SJAAD14V9N  
SJAAM2ZV2N  
SJAAM14V2N  
SJAAD14V4N  
SJAAD14V6N  
SJAAD14VXN

SJAA514V5NC  
SJAAD14V3NC  
SJAAD14V5NC  
SJAAD14V7NC  
SJAAD14V9NC  
SJAAD14V5NC  
SJAAD14V7NC  
SJAAS14V2NC  
SJAAD14V0NC  
SJAAD14V4NC  
SJAAM2ZVXN  
SJAAM2ZV1N  
SJAAM2ZV3N  
SJAAM2ZVXN  
SJAAS14V3NC  
SJAAD14V3NC  
SJAAM2ZV7N  
SJAAS14V0NC  
SJAAD14V9NC  
SJAAD14V0NC  
SJAAM2ZV4N  
SJAAN14V8NC  
SJAAS14V4NC  
SJAAD14V4NC  
SJAAS14VXNC  
SJAAS14V1NC  
SJAAS14V5NC  
SJAAL1ZV9NC  
SJAAM2ZV7N  
SJAAS14V0NC  
SJAAM2ZV1N  
SJAAM2ZV3N  
SJAAS14V6NC  
SJAAS14V5NC  
SJAAM2ZV9N  
SJAAM2ZV0N  
SJAAL14V7NC  
SJAAM2ZV4N  
SJAAM2ZV6N  
SJAAM2ZV8N  
SJAAM2ZV4N  
SJAAM2ZV8N  
SJAAD14V8NC  
SJAAM2ZV1N  
SJAAM2ZV3N  
SJAAM2ZV5N  
SJAAL14V1NC  
SJAAM2ZV9N  
SJAAD14V9NC  
SJAAM2ZV9N  
SJAAM2ZV0N  
SJAAL14V7NC  
SJAAM2ZV4N  
SJAAM2ZV6N  
SJAAM2ZV8N  
SJAAM2ZV4N  
SJAAD14V8NC  
SJAAM2ZV1N  
SJAAR2ZV1NC  
SJAAD14V8NC  
SJAAM14V1N  
SJAAM2ZV5N

SJAAM2ZV7NC  
SJAAM2ZV9NC  
SJAAL14V5NC  
SJAAM14V0NC  
SJAAS14V6NC  
SJAAM2ZV6NC  
SJAAR2ZV0NC  
SJAAM2ZV4NC  
SJAAM14V4NC  
SJAAM2ZVXNC  
SJAAM2ZV1NC  
SJAAM2ZV3NC  
SJAAM2ZV5NC  
SJAAN1ZV8NC  
SJAAS14V0NC  
SJAAM2ZV5NC  
SJAAM2ZV7NC  
SJAAS14V0NC  
SJAAS14V9NC  
SJAAM2ZV4NC  
SJAAM14V4NC  
SJAAS14V6NC  
SJAAM2ZVXNC  
SJAAM2ZV1NC  
SJAAM2ZV8NC  
SJAAM2ZVXNC  
SJAAL1ZV5NC  
SJAAR2ZV1NC  
SJAAM2ZV5NC  
SJAAS14V5NC  
SJAAD14V9NC  
SJAAS14V4NC  
SJAAM2ZV4NC  
SJAAS14V9NC  
SJAAM2ZV2NC  
SJAAS14V6NC  
SJAAM2ZV6NC  
SJAAS14V6NC  
SJAAM14V8NC  
SJAAS14V3NC  
SJAAS14V5NC  
SJAAM2ZV5NC  
SJAAS14V9NC  
SJAAS14V1NC  
SJAAS14V7NC  
SJAAM2ZV7NC  
SJAAM2ZV0NC  
SJAAS14V0NC  
SJAAM2ZV4NC  
SJAAL14V0NC  
SJAAM2ZV8NC  
SJAAS14V8NC  
SJAAS14VXNC  
SJAAD14V8NC  
SJAAN14V3NC  
SJAAM2ZV3NC  
SJAAD14V3NC  
SJAAD14V7NC  
SJAAM2ZV0NC

SJAAM2ZV2NC  
SJAAM2ZV5NC  
SJAAM14V5NC  
SJAAS14V7NC  
SJAAR2ZV9NC  
SJAAM2ZV2NC  
SJAAD14V2NC  
SJAAS14V8NC  
SJAAS14VXNC  
SJAAL14V6NC  
SJAAM2ZV8NC  
SJAAR2ZV8NC  
SJAAD14VXNC  
SJAAR2ZV1NC  
SJAAM2ZV5NC  
SJAAM2ZV7NC  
SJAAD14V7NC  
SJAAM2ZV0NC  
SJAAM2ZV2NC  
SJAAM2ZV4NC  
SJAAM2ZV0NC  
SJAAL1ZV6NC  
SJAAD14V2NC  
SJAAM2ZV6NC  
SJAAM14V6NC  
SJAAS14V1NC  
SJAAM2ZV1NC  
SJAAR2ZV1NC  
SJAAS14V7NC  
SJAAS14V9NC  
SJAAM2ZV3NC  
SJAAM2ZV5NC  
SJAAD14V5NC  
SJAAM2ZV9NC  
SJAAM14V9NC  
SJAAR2ZV0NC  
SJAAS14V6NC  
SJAAM2ZV6NC  
SJAAD14V6NC  
SJAAM2ZVXNC  
SJAAM2ZV6NC  
SJAAM14V6NC  
SJAAS14V1NC  
SJAAS14V3NC  
SJAAR2ZV1NC  
SJAAM2ZV5NC  
SJAAM14V5NC  
SJAAD14V9NC  
SJAAX14V1NC  
SJAAS14V0NC  
SJAAN14V4NC  
SJAAM2ZV4NC  
SJAAM2ZV6NC  
SJAAM2ZV8NC  
SJAAM2ZVXNC  
SJAAM2ZV3NC  
SJAAD14V3NC  
SJAAS14V1NC  
SJAAL1ZV0NC

SJAAL14V3NC  
SJAAD14V9NC  
SJAAD14V2NC  
SJAAD14V6NC  
SJAAD14V2NC  
SJAAS14VXNC  
SJAAL1ZV3NC  
SJAAL1ZV5NC  
SJAAD14V1NC  
SJAAM2ZV5N  
SJAAL14V3NC  
SJAAD14V9NC  
SJAAM2ZV7N  
SJAAN14V0NC  
SJAAS14V2NC  
SJAAS14V4NC  
SJAAS14V2NC  
SJAAS14V8NC  
SJAAS14VXNC  
SJAAD14V8NC  
SJAAS14VXNC  
SJAAS14V5NC  
SJAAS14V3NC  
SJAAS14V1NC  
SJAAM14V3N  
SJAAR2ZV5NC  
SJAAM2ZV9N  
SJAAM2ZV2N  
SJAAM14V2N  
SJAAS14V8NC  
SJAAM2ZV9N  
SJAAS14V2NC  
SJAAN14V4NC  
SJAAM14V2N  
SJAAM2ZV6N  
SJAAS14V6NC  
SJAAL1ZV5NC  
SJAAS14V7NC  
SJAAD14V1NC  
SJAAM2ZV5N  
SJAAD14V7NC  
SJAAD14V0NC  
SJAAN1ZV5N  
SJAAS14V8NC  
SJAAM2ZV8N  
SJAAM14V2N  
SJAAM2ZV6N  
SJAAD14V6NC  
SJAAS14V1NC  
SJAAS14V3NC  
SJAAD14V1NC  
SJAAD14V3NC  
SJAAS14V7NC  
SJAAD14V9NC  
SJAAS14V9NC  
SJAAD14V7NC  
SJAAM2ZV2N  
SJAAD14V2NC  
SJAAL1ZVXNC

SJAAR2ZV6NC	SJAA514V9NC	SJAAD14V2NC	SJAAD14V0NC	SJAA514V7NC
SJAAL14V4NC	SJAAD14V7NC	SJAA514V8NC	SJAA514V6NC	SJAA414V5NC
SJAA514V5NC	SJAAD14V9NC	SJAAM2ZV8N	SJAA414V4NC	SJAAD14V1NC
SJAAM2ZVXN	SJAAN1ZV3N	SJAAD14V8NC	SJAAM2ZV8N	SJAAD14V3NC
SJAAN1ZV2NC	SJAAD14V2NC	SJAAD14V1NC	SJAAM2ZVXN	SJAAM2ZV7N
SJAAD14V1NC	SJAAL14V0NC	SJAAD14V3NC	SJAAM2ZV1N	SJAA514V0NC
SJAAD14V5NC	SJAAM2ZV8N	SJAA514V9NC	SJAA514V5NC	SJAAD14V9NC
SJAAD14V9NC	SJAAD14V8NC	SJAAD14V7NC	SJAAM2ZVXN	SJAA514V4NC
SJAAD14V0NC	SJAAD14V6NC	SJAAM2ZV0N	SJAA514V3NC	SJAAD14V4NC
SJAAD14V2NC	SJAAM2ZVXN	SJAA514V9NC	SJAAM2ZV3N	SJAAL14V4NC
SJAAL1ZVXNC	SJAAM2ZV1N	SJAAD14V7NC	SJAAM2ZV5N	SJAAM2ZV8N
SJAA414V0NC	SJAA414V1NC	SJAAD14V9NC	SJAAR2ZV5NC	SJAAL14V4NC
SJAAD14V2NC	SJAAD14V5NC	SJAA514V4NC	SJAAM2ZV0N	SJAA514V3NC
SJAAD14V4NC	SJAAD14V7NC	SJAAD14V2NC	SJAAD14V0NC	SJAA414V5NC
SJAAM2ZV8N	SJAA414V9NC	SJAAD14V4NC	SJAAL14V9NC	SJAAL1ZV2NC
SJAAR2ZV8NC	SJAAM2ZV2N	SJAAM2ZV8N	SJAA514V8NC	SJAAL14V7NC
SJAAD14VXNC	SJAAD14V2NC	SJAA414V8NC	SJAAL1ZV6NC	SJAAD14V8NC
SJAAD14V3NC	SJAAM2ZV0N	SJAAM2ZV1N	SJAAD14V4NC	SJAA514V5NC
SJAA514V0NC	SJAAD14V2NC	SJAAR2ZV1NC	SJAA514VXNC	SJAAD14V3NC
SJAAD14V3NC	SJAAM2ZV6N	SJAA414V4NC	SJAAD14V8NC	SJAA414V5NC
SJAA414V5NC	SJAAD14V6NC	SJAAD14V6NC	SJAA414VXNC	SJAA514V0NC
SJAAL1ZV2NC	SJAAD14V8NC	SJAAD14V8NC	SJAAD14V3NC	SJAA514V2NC
SJAAM2ZV2N	SJAAM2ZV1N	SJAA414VXNC	SJAAD14V5NC	SJAAD14V1NC
SJAAR2ZV2NC	SJAAD14V1NC	SJAAX14V2NC	SJAAM2ZV9N	SJAAD14V5NC
SJAAD14V6NC	SJAAD14V3NC	SJAA514V7NC	SJAA514V7NC	SJAA414V7NC
SJAAM2ZVXN	SJAAD14V5NC	SJAAM2ZV7N	SJAAD14V5NC	SJAAR2ZV0NC
SJAAR2ZVXNC	SJAAD14V3NC	SJAAD14V7NC	SJAAD14V7NC	SJAAD14V2NC
SJAAR2ZV8NC	SJAAD14V5NC	SJAAL14V7NC	SJAAR2ZV9NC	SJAA414V4NC
SJAAD14VXNC	SJAAL1ZV2NC	SJAA514V0NC	SJAAL1ZV6NC	SJAAD14V6NC
SJAAD14V1NC	SJAA514V2NC	SJAAD14V9NC	SJAAD14V2NC	SJAAR2ZV8NC
SJAAD14V3NC	SJAAM2ZV2N	SJAA514V4NC	SJAA514V8NC	SJAAM2ZV6N
SJAAD14V5NC	SJAAM2ZV4N	SJAAD14V4NC	SJAAD14V8NC	SJAA414V6NC
SJAAM14V7NC	SJAAD14V4NC	SJAAD14V6NC	SJAAD14VXNC	SJAAD14V8NC
SJAA514V4NC	SJAA414V6NC	SJAAD14V8NC	SJAAD14V6NC	SJAA514V3NC
SJAAD14V2NC	SJAAM2ZV8N	SJAAM2ZV1N	SJAAD14V8NC	SJAAD14V1NC
SJAA514V2NC	SJAA514V1NC	SJAA514V5NC	SJAAD14VXNC	SJAA514V7NC
SJAAD14V0NC	SJAAM2ZV1N	SJAAM2ZV5N	SJAA414V1NC	SJAA514V9NC
SJAAD14V2NC	SJAAL1ZV7NC	SJAAR2ZVXNC	SJAAD14V3NC	SJAA414V9NC
SJAA514V8NC	SJAAR2ZV3NC	SJAAD14V1NC	SJAAM2ZV9N	SJAA514V4NC
SJAAL14V2NC	SJAA514V9NC	SJAAL14VXNC	SJAAM2ZV0N	SJAAD14V7NC
SJAA414V8NC	SJAA514V0NC	SJAA514V0NC	SJAAM2ZV2N	SJAAM2ZV2N
SJAAD14V1NC	SJAAM2ZV0N	SJAAD14V9NC	SJAAD14V2NC	SJAAD14V2NC
SJAAL14V1NC	SJAA514V4NC	SJAA514V4NC	SJAAM2ZV0N	SJAAD14V4NC
SJAA514V7NC	SJAA514V0NC	SJAAM14V2NC	SJAAM2ZV2N	SJAAM2ZV8N
SJAAD14V7NC	SJAAM2ZV0N	SJAAM2ZV6N	SJAA514V6NC	SJAA514V1NC
SJAAD14V0NC	SJAAR2ZV0NC	SJAAD14V6NC	SJAAD14V4NC	SJAAD14VXN
SJAAD14V2NC	SJAAD14V2NC	SJAA514V6NC	SJAAD14V6NC	SJAAD14V1NC
SJAAM2ZV6N	SJAA414V6NC	SJAA514V8NC	SJAA414V8NC	SJAAM2ZV5N
SJAAL14V2NC	SJAAD14V8NC	SJAAM2ZV8N	SJAAD14VXNC	SJAAD14VXN
SJAAD14V0NC	SJAAD14VXNC	SJAAD14V8NC	SJAAD14V3NC	SJAA514V5NC
SJAA514V6NC	SJAAD14V3NC	SJAAM2ZV1N	SJAAD14V5NC	SJAAM2ZV5N
SJAAN14V8NC	SJAA514V3NC	SJAAD14V1NC	SJAAM2ZVXN	SJAAK14V8NC
SJAAD14V6NC	SJAA514V5NC	SJAAD14V3NC	SJAAD14VXNC	SJAA414V7NC
SJAAD14V8NC	SJAA414V3NC	SJAAD14V5NC	SJAAD14V1NC	SJAAM2ZV0N
SJAA514V3NC	SJAAM2ZV9N	SJAAM2ZV9N	SJAA414V3NC	SJAAD14V0NC
SJAAM2ZV5N	SJAA414V0NC	SJAAM2ZV0N	SJAA514V9NC	SJAAM2ZV4N
SJAAD14V5NC	SJAA514V6NC	SJAAD14V5NC	SJAAD14V7NC	SJAAM2ZV6N
SJAAD14V7NC	SJAAM14V4N	SJAAD14V7NC	SJAAM2ZV0N	SJAA514VXNC
SJAAL1ZV9NC	SJAAM2ZV8N	SJAA514V2NC	SJAAD14V0NC	SJAAL1ZV8NC

SJAAD14V4NC  
SJAAL14V2NC  
SJAAM2ZV1N  
SJAAD14V1NC  
SJAAD14V3NC  
SJAAD14V5NC  
SJAAM2ZV9N  
SJAA514V2NC  
SJAAD14V7NC  
SJAA514V4NC  
SJAAD14V2NC  
SJAA414V4NC  
SJAAS14V1NC  
SJAAD14VXNC  
SJAAM2ZV3N  
SJAAS14V1NC  
SJAAD14V1NC  
SJAAS14V7NC  
SJAAS14V9NC  
SJAAS14V0NC  
SJAAD14V9NC  
SJAAD14V0NC  
SJAAS14V4NC  
SJAAD14V2NC  
SJAAR2ZV4NC  
SJAAD14V6NC  
SJAAM2ZVXN  
SJAAS14V3NC  
SJAAD14V1NC  
SJAAS14V7NC  
SJAAD14V5NC  
SJAAD14V7NC  
SJAAS14V7NC  
SJAAS14V9NC  
SJAAS14V0NC  
SJAAD14V9NC  
SJAAL1ZV6NC  
SJAAR2ZV4NC  
SJAAD14V6NC  
SJAAD14V8NC  
SJAAD14V6NC  
SJAAS14V1NC  
SJAAS14VXNC  
SJAAD14V3NC  
SJAAL1ZV0NC  
SJAAD14V7NC  
SJAAD14V9NC  
SJAAM2ZV4N  
SJAAS14V7NC  
SJAAD14V9NC  
SJAAM2ZV2N  
SJAAD14V4NC  
SJAAS14VXNC  
SJAAM2ZVXN  
SJAAD14VXNC  
SJAAS14V5NC  
SJAAD14V8NC  
SJAAM14VXN  
SJAAD14V1NC

SJAAD14V3NC  
SJAAD14V5NC  
SJAAD14V7NC  
SJAAM14V9N  
SJAAM2ZV2N  
SJAAL1ZV8NC  
SJAAM2ZV6N  
SJAAM14V2N  
SJAAS14V8NC  
SJAAS14VXNC  
SJAAS14V1NC  
SJAAD14VXNC  
SJAAM2ZV3N  
SJAAS14V7NC  
SJAAD14V5NC  
SJAAD14V7NC  
SJAAS14V7NC  
SJAAS14V9NC  
SJAAS14V0NC  
SJAAD14V9NC  
SJAAL14V7NC  
SJAAD14V2NC  
SJAAD14V4NC  
SJAAS14V6NC  
SJAAS14V1NC  
SJAAD14VXNC  
SJAAD14V6NC  
SJAAD14V8NC  
SJAAS14V5NC  
SJAAL14VXNC  
SJAAM2ZV7N  
SJAAL14V5NC  
SJAAD14V0NC  
SJAAM2ZV4N  
SJAAL14V5NC  
SJAAS14V4NC  
SJAAS14V6NC  
SJAAM2ZV8N  
SJAAM2ZVXN  
SJAAM2ZV1N  
SJAAD14V1NC  
SJAAM2ZV5N  
SJAAS14V5NC  
SJAAM2ZV5N  
SJAAM2ZV7N  
SJAAL14V5NC  
SJAAD14V0NC  
SJAAM2ZV4N  
SJAAL14V5NC  
SJAAS14V4NC  
SJAAS14V6NC  
SJAAM2ZV8N  
SJAAM2ZVXN  
SJAAM2ZV1N  
SJAAD14V1NC  
SJAAM2ZV5N  
SJAAS14V5NC  
SJAAM2ZV5N  
SJAAM2ZV7N  
SJAAD14V7NC  
SJAAD14V9NC  
SJAAD14V9NC  
SJAAS14V0NC  
SJAAL14V9NC  
SJAAS14V8NC  
SJAAM14V6N  
SJAAD14V1NC  
SJAAM2ZV5N  
SJAAS14V5NC  
SJAAM2ZV5N  
SJAAM2ZV7N  
SJAAD14V7NC  
SJAAD14V9NC  
SJAAD14V9NC  
SJAAS14V0NC  
SJAAL14V9NC  
SJAAS14V8NC  
SJAAM14V6N  
SJAAD14V8NC  
SJAAN1ZV7N  
SJAAS14VXNC  
SJAAM14V8N  
SJAAL1ZV5NC  
SJAAS14V1NC  
SJAAS14V9NC  
SJAAD14V7NC

SJAA414V9NC  
SJAAD14V0NC  
SJAAM2ZV9N  
SJAAL14V5NC  
SJAA514V4NC  
SJAAM2ZV4N  
SJAAD14V4NC  
SJAAD14V6NC  
SJAA514V1NC  
SJAA514V3NC  
SJAAD14V3NC  
SJAAD14VXNC  
SJAA514V5NC  
SJAAM2ZV5N  
SJAAD14V5NC  
SJAAM2ZV9N  
SJAAD14V2NC  
SJAAD14V4NC  
SJAAM2ZV8N  
SJAAD14V9NC  
SJAA514V4NC  
SJAAM2ZV4N  
SJAAD14V4NC  
SJAAD14V6NC  
SJAAD14V8NC  
SJAAM14VXN  
SJAAD14V1NC  
SJAAM2ZV5N  
SJAAM2ZV1N  
SJAAD14V3NC  
SJAAD14V5NC  
SJAAM14V7N  
SJAA414V9NC  
SJAAM2ZV2N  
SJAAD14V2NC  
SJAAM14V4N  
SJAAR2ZV6NC  
SJAA514V6NC  
SJAAS14V8NC  
SJAAM14V6N  
SJAAL14V6NC  
SJAAM2ZV3N  
SJAAS14V7NC  
SJAAD14V5NC  
SJAAD14V7NC  
SJAAM14V9N  
SJAA514V9NC  
SJAAM2ZV9N  
SJAAS14V0NC  
SJAA514V6NC  
SJAA414V4NC  
SJAAL14V2NC  
SJAAL14V4NC  
SJAA414VXNC  
SJAAL1ZV7NC  
SJAA514V1NC  
SJAA514V3NC  
SJAA514V5NC  
SJAAD14V3NC

SJAAD14V5NC  
SJAAM2ZV9N  
SJAA414V9NC  
SJAAD14V0NC  
SJAA514V6NC  
SJAAL14V7NC  
SJAAM2ZV6N  
SJAA414V6NC  
SJAAM2ZVXN  
SJAAM2ZV1N  
SJAAL14V8NC  
SJAAM2ZV5N  
SJAAL1ZV0NC  
SJAAD14V7NC  
SJAAM2ZV5N  
SJAA414V7NC  
SJAA514V4NC  
SJAAM14V2NC  
SJAAL14V0NC  
SJAAS14VXNC  
SJAAM14VXN  
SJAAM2ZV8N  
SJAAM2ZVXN  
SJAAS14VXNC  
SJAAM14V3NC  
SJAAM2ZV7N  
SJAAS14V0NC  
SJAAM2ZV2N  
SJAAM2ZV4N  
SJAAM14V0NC  
SJAAD14V2NC  
SJAAM2ZV6N  
SJAAM2ZV8N  
SJAAL1ZV7NC  
SJAAM14V5NC  
SJAAM2ZV3N  
SJAAM2ZV7N  
SJAAM2ZV9N  
SJAAS14V2NC  
SJAAS14V4NC  
SJAAS14V2NC  
SJAAM14V4NC  
SJAAM2ZV8N  
SJAAD14V8NC  
SJAAS14V6NC  
SJAAL14V0NC  
SJAAS14VXNC  
SJAAD14V8NC  
SJAAL1ZV7NC  
SJAAM2ZV5N  
SJAAS14V9NC  
SJAAM2ZV9N  
SJAAL1ZV9NC  
SJAAM2ZV7N  
SJAAS14V0NC  
SJAAM2ZV0N  
SJAAS14V4NC  
SJAAS14V2NC  
SJAAM2ZV6N

SJAAM2ZV8NC  
SJAAD14V8NC  
SJAA414VXNC  
SJAAM2ZV8NC  
SJAAL14V6NC  
SJAAM14V4NC  
SJAAL14VXNC  
SJAAM2ZV9NC  
SJAAM2ZV2NC  
SJAAM2ZV4NC  
SJAAM14V9NC  
SJAA414V0NC  
SJAAM2ZV4NC  
SJAAM2ZV6NC  
SJAAM2ZVXNC  
SJAA414VXNC  
SJAAM2ZV3NC  
SJAAD14V3NC  
SJAAL14V1NC  
SJAAL1ZV7NC  
SJAAD14V3NC  
SJAAM2ZV7NC  
SJAAD14V7NC  
SJAAR2ZV9NC  
SJAAM2ZV2NC  
SJAAM2ZV4NC  
SJAAN1ZV7NC  
SJAAD14V6NC  
SJAAD14V8NC  
SJAAD14VXNC  
SJAAD14V1NC  
SJAAD14V3NC  
SJAAS14V9NC  
SJAAM2ZV9NC  
SJAAM2ZV0NC  
SJAAM2ZV2NC  
SJAAM2ZV9NC  
SJAAM2ZV0NC  
SJAAS14V0NC  
SJAAL1ZV8NC  
SJAAS14V8NC  
SJAAS14V8NC  
SJAAM2ZV1NC  
SJAAS14V5NC  
SJAAS14V7NC  
SJAAM2ZV1NC  
SJAAN1ZV4NC  
SJAAM2ZV5NC  
SJAAM2ZV7NC  
SJAAM2ZV9NC  
SJAAM14V9NC  
SJAAD14V0NC  
SJAAD14V2NC  
SJAAL14V0NC  
SJAAL14V2NC  
SJAAL14V9NC

INTERNAL

SJAA414V4NC  
SJAA514V1NC  
SJAA414VXNC  
SJAA514V5NC  
SJAAL14VXN  
SJAA414V5NC  
SJAAL14V3NC  
SJAA514V2NC  
SJAAX14V8NC  
SJAAM2ZV2N  
SJAAM2ZV4N  
SJAAD14V4N  
SJAAD14V8N  
SJAA414VXNC  
SJAAM2ZV6N  
SJAAD14V8N  
SJAAL1ZV7N  
SJAAL1ZV9N  
SJAAD14V5N  
SJAAM2ZV0N  
SJAAD14V7N  
SJAAM2ZV0N  
SJAAL1ZV6N  
SJAAM2ZV4N  
SJAAD14V6N  
SJAAR2ZV8N  
SJAAD14VXN  
SJAA414V3NC  
SJAAD14V1N  
SJAA414V3NC  
SJAAM2ZV9N  
SJAAR2ZV9N  
SJAAD14V0N  
SJAAM2ZV4N  
SJAAM2ZV8N  
SJAAM2ZV4N  
SJAAL1ZVXN  
SJAAM2ZV8N  
SJAAM14V8N  
SJAAN14V3N  
SJAAD14V1N  
SJAA514V7NC  
SJAAL1ZV0N  
SJAAD14V7N  
SJAAM2ZV0N  
SJAAD14V5N  
SJAAD14V7N  
SJAAM2ZV0N  
SJAAR2ZV0N  
SJAAL1ZV8N  
SJAAD14V4N  
SJAAM2ZV8N  
SJAAD14V8N  
SJAAM2ZV1N  
SJAAD14V1N  
SJAAM2ZVXN  
SJAAM2ZV1N  
SJAAM2ZV3N  
SJAAL14VXN

SJAAM2ZV7N  
SJAA514V0NC  
SJAAD14V9NC  
SJAAM2ZV2N  
SJAA514V6NC  
SJAAL14V0NC  
SJAAL14V7NC  
SJAAL14V0NC  
SJAA414V6NC  
SJAAL14V6NC  
SJAAL14V1NC  
SJAAL14VXNC  
SJAA514V9NC  
SJAAL14V3NC  
SJAAL14VXNC  
SJAAL14V3NC  
SJAAM2ZV2N  
SJAAM2ZV6N  
SJAAL1ZV1NC  
SJAAD14V8NC  
SJAAL1ZV5NC  
SJAAD14V6NC  
SJAAM2ZVXN  
SJAAD14VXNC  
SJAAM2ZV5N  
SJAAM2ZV7N  
SJAAD14V9NC  
SJAAM2ZV2N  
SJAAM2ZV6N  
SJAAD14V6NC  
SJAAM2ZVXN  
SJAAD14VXNC  
SJAAL1ZV7NC  
SJAAM2ZV7N  
SJAAM2ZVXN  
SJAAM2ZV3NC  
SJAAL1ZV7NC  
SJAAD14V3NC  
SJAA514V9NC  
SJAA414V7NC  
SJAAM2ZV0N  
SJAAM2ZV2N  
SJAAR2ZV4NC  
SJAAD14V0NC  
SJAA514V6NC  
SJAAM2ZV6N  
SJAAD14V6NC  
SJAAM2ZVXN  
SJAAM2ZV1N  
SJAAM2ZV3N  
SJAAM2ZV5N  
SJAAM2ZV7N  
SJAAN1ZVXNC  
SJAA414V3NC  
SJAAM2ZV7N  
SJAAR2ZV7NC

SJAAD14V0N  
SJAAM2ZV4N  
SJAAM2ZV8N  
SJAAL1ZV3N  
SJAAM2ZV1N  
SJAAN1ZV9N  
SJAAM2ZVXN  
SJAAN1ZV2N  
SJAAM14V1N  
SJAA414V3N  
SJAA514V9N  
SJAAD14V7N  
SJAAL14V5N  
SJAA414V2N  
SJAAL14V5N  
SJAA414V2N  
SJAAL1ZVXN  
SJAAL14V4N  
SJAAM2ZV1N  
SJAAM2ZV3N  
SJAAM2ZV5N  
SJAAN14V9N  
SJAAL1ZV7N  
SJAAL1ZV9N  
SJAAD14V5N  
SJAA414V9N  
SJAAD14V0N  
SJAAM2ZV4N  
SJAAM2ZV6N  
SJAAD14V8N  
SJAAD14V4N  
SJAAD14V8N  
SJAA414VXN  
SJAAM2ZV3N  
SJAAM2ZV5N  
SJAA514V9N  
SJAAM2ZV9N  
SJAAR2ZV9N  
SJAAM2ZV2N  
SJAA514V0N  
SJAAL1ZV4N  
SJAAM14V0N  
SJAA514V6N  
SJAAD14V4N  
SJAAM2ZV8N  
SJAAM2ZVXN  
SJAAM2ZV3N  
SJAAM2ZV5N  
SJAAM2ZV1N  
SJAAM2ZV3N  
SJAA414V3N  
SJAAM2ZV7N  
SJAA514V4N  
SJAAM2ZV6N  
SJAAL1ZV8N  
SJAAM2ZV6N  
SJAAM14V6N  
SJAAD14V8N  
SJAAM2ZV1N

SJAAM2ZV3N  
SJAAD14V3NC  
SJAA414V5NC  
SJAAD14V7NC  
SJAAM2ZV0N  
SJAAM2ZV3N  
SJAAD14V3NC  
SJAAL1ZV0NC  
SJAAM2ZV9N  
SJAAR2ZV9NC  
SJAA514V4NC  
SJAAM14V4NC  
SJAAM2ZV8N  
SJAAM2ZVXN  
SJAAD14V4NC  
SJAAN1ZV9NC  
SJAAM14V8NC  
SJAAM2ZV1N  
SJAAM2ZV3N  
SJAA414V3NC  
SJAAM14V5NC  
SJAAM2ZV9N  
SJAAM2ZV0N  
SJAAD14V0NC  
SJAA514V0NC  
SJAA414V9NC  
SJAAM2ZV2N  
SJAAD14V2NC  
SJAA414V4NC  
SJAAD14V6NC  
SJAAL14V6NC  
SJAAL14V8NC  
SJAAM2ZV5N  
SJAAD14VXNC  
SJAAM2ZV3N  
SJAAD14V3NC  
SJAAM2ZV7N  
SJAAL14V5NC  
SJAAM2ZV2N  
SJAAR2ZV2NC  
SJAAL1ZVXNC  
SJAAM2ZV8N  
SJAAM2ZV4N  
SJAAD14V4NC  
SJAAM2ZV8N  
SJAAM2ZVXN  
SJAAD14VXNC  
SJAAM2ZV3N  
SJAAM2ZV5N  
SJAAL14VXNC  
SJAAM2ZV7N  
SJAA414V7NC  
SJAAD14V5NC  
SJAAM2ZV9N  
SJAA514V2NC  
SJAAM2ZV2N  
SJAAM2ZV4N  
SJAAM2ZV6N  
SJAAM2ZVXN  
SJAA414VXNC

SJAAL1ZV7NC  
SJAAM2ZVXN  
SJAAM2ZV1N  
SJAAD14V1NC  
SJAAL1ZV9NC  
SJAAL1ZV0NC  
SJAAM2ZV0N  
SJAAD14V0NC  
SJAAM14V2N  
SJAA514V8NC  
SJAAL14V7NC  
SJAA514V6NC  
SJAA414V4NC  
SJAAL14V2NC  
SJAAM2ZV6N  
SJAAM2ZV2N  
SJAAL14V8NC  
SJAAL14V8NC  
SJAAM2ZV1N  
SJAAM2ZV3N  
SJAAL14VXNC  
SJAAD14V5NC  
SJAAM2ZV9N  
SJAAL14V5NC  
SJAAM2ZV4NC  
SJAAM2ZV0NC  
SJAAL14V0NC  
SJAAM2ZVXN  
SJAAM2ZV5N  
SJAAL14V0NC  
SJAAM2ZVXN  
SJAAM2ZV1N  
SJAAM2ZV3N  
SJAAM2ZV7N  
SJAAM2ZV0N  
SJAAM2ZV2N  
SJAAM2ZV4NC  
SJAAM2ZV8N  
SJAAM2ZV8N  
SJAAM2ZVXN  
SJAAL14V6NC  
SJAAL14V8NC  
SJAAM2ZVXN  
SJAAR2ZVXN  
SJAAM2ZV3N  
SJAAM2ZV7N  
SJAAM2ZV0N  
SJAAM2ZV9N  
SJAAM2ZV0N  
SJAAM2ZV2N  
SJAAM2ZV4N  
SJAAD14V4NC  
SJAAM2ZV2N  
SJAAM2ZV4N

SJAA514V8NC  
SJAAM2ZVXN  
SJAAD14VXNC  
SJAAD14V1NC  
SJAAM2ZV5N  
SJAAM2ZV7N  
SJAAD14V3NC  
SJAAM2ZV7N  
SJAAM2ZV9N  
SJAAM2ZV0N  
SJAAM2ZV2N  
SJAAL14V9NC  
SJAAM2ZV6N  
SJAAM2ZV8N  
SJAAM2ZVXN  
SJAAM2ZV1N  
SJAAS14VXNC  
SJAAL1ZV3NC  
SJAAM2ZV1N  
SJAAS14V1NC  
SJAAN1ZV6N  
SJAAL1ZV0NC  
SJAAM2ZV9N  
SJAAS14V9NC  
SJAAL14V9NC  
SJAAL14V7NC  
SJAAM14V2N  
SJAAN14V2NC  
SJAAM2ZV4N  
SJAAM2ZV6N  
SJAAL1ZV1NC  
SJAAS14V5NC  
SJAAM2ZV5N  
SJAAM2ZV7N  
SJAAM14V1N  
SJAAM2ZV5N  
SJAAL1ZV0NC  
SJAAR2ZV7NC  
SJAAS14V9NC  
SJAAM2ZV2N  
SJAAM2ZV4N  
SJAAM2ZV6N  
SJAAM2ZV8N  
SJAAM2ZVXN  
SJAAM2ZV6N  
SJAAM2ZV8N  
SJAAD14V8NC  
SJAAM2ZV3N  
SJAAN1ZV6N  
SJAAM14V5N  
SJAAD14V7NC  
SJAAM2ZV0N  
SJAAM2ZV9N  
SJAAM2ZV0N  
SJAAM2ZV2N  
SJAAL14V0NC  
SJAAL1ZV1NC  
SJAAM2ZVXN  
SJAAM2ZV1N  
SJAAM2ZV3N

SJAAM2ZV5NC  
SJAAL1ZV5NC  
SJAAS14V1NC  
SJAAD14V3NC  
SJAAS14V0NC  
SJAAM2ZV2NC  
SJAAM2ZV4NC  
SJAAL14V0NC  
SJAAS14VXNC  
SJAAM2ZV0NC  
SJAAR2ZV0NC  
SJAAM2ZV4NC  
SJAAM2ZV8NC  
SJAAL1ZV3NC  
SJAAM2ZV1NC  
SJAAM2ZV3NC  
SJAAM2ZV5NC  
SJAAM2ZV7NC  
SJAAR2ZV1NC  
SJAAD14V3NC  
SJAAS14V9NC  
SJAAM2ZV9NC  
SJAAM2ZV0NC  
SJAAM2ZV4NC  
SJAAS14VXNC  
SJAAS14V1NC  
SJAAS14V4NC  
SJAAD14V6NC  
SJAAD14V8NC  
SJAAM2ZV1NC  
SJAAD14V1NC  
SJAAS14V5NC  
SJAAS14V0NC  
SJAAM2ZV0NC  
SJAAS14V0NC  
SJAAS14V0NC  
SJAAL14V7NC  
SJAAM2ZV4NC  
SJAAS14V4NC  
SJAAM2ZV8NC  
SJAAL14V4NC  
SJAAM2ZV8NC  
SJAAL14V4NC  
SJAAM2ZV1NC  
SJAAM2ZV3NC  
SJAAM2ZV5NC  
SJAAS14VXNC  
SJAAD14V3NC  
SJAAS14V9NC  
SJAAS14V7NC  
SJAAL14V5NC  
SJAAM2ZV2NC  
SJAAM2ZV6NC  
SJAAS14V6NC  
SJAAM2ZV4NC  
SJAAL14V0NC  
SJAAM2ZV8NC  
SJAAM14V8NC  
SJAAM2ZV3NC  
SJAAL14VXNC

SJAAD14V5NC  
SJAAS14V0NC  
SJAAL14V5NC  
SJAAL1ZV0NC  
SJAAS14V0NC  
SJAAM2ZV0N  
SJAAL1ZV6NC  
SJAAS14V2NC  
SJAAL14V0NC  
SJAAM2ZV8N  
SJAAL14V4NC  
SJAAS14VXNC  
SJAAL14V8NC  
SJAAL14V4NC  
SJAAL1ZV5NC  
SJAAL1ZV7NC  
SJAAM2ZV5N  
SJAAL14V3NC  
SJAAN14V2NC  
SJAAS14V4NC  
SJAAS14V2NC  
SJAAL1ZVXNC  
SJAAM2ZV2N  
SJAAM14V2NC  
SJAAM2ZV8N  
SJAAS14V1NC  
SJAAS14V3NC  
SJAAL14VXNC  
SJAAS14V9NC  
SJAAS14V7NC  
SJAAN14V9NC  
SJAAS14V7NC  
SJAAS14V1NC  
SJAAL1ZV6NC  
SJAAS14V4NC  
SJAAS14V1NC  
SJAAL14V6NC  
SJAAM2ZV4N  
SJAAL14V0NC  
SJAAM2ZV8N  
SJAAM2ZVXN  
SJAAL1ZV5NC  
SJAAM2ZV3N  
SJAAM2ZV5N  
SJAAM2ZV7N  
SJAAM2ZV9N  
SJAAD14V9NC  
SJAAS14V9NC  
SJAAM2ZV9N  
SJAAM14V9NC  
SJAAS14V4NC  
SJAAD14V2NC  
SJAAM2ZV6N  
SJAAM2ZV8N  
SJAAL1ZV3NC  
SJAAL14V6NC  
SJAAM2ZV3N  
SJAAM14V8NC  
SJAAN14V5NC

SJAAS14V7NC  
SJAAM14V5N  
SJAAD14V7NC  
SJAAL1ZV4NC  
SJAAS14V0NC  
SJAAS14V6NC  
SJAAM14V4N  
SJAAD14V0NC  
SJAAN14V6NC  
SJAAD14V4NC  
SJAAM2ZV8N  
SJAAL1ZV3NC  
SJAAD14VXNC  
SJAAD14V1NC  
SJAAM2ZV5N  
SJAAL1ZV0NC  
SJAAD14V7NC  
SJAAM14V5N  
SJAAM2ZV9N  
SJAAS14V2NC  
SJAAS14V6NC  
SJAAL1ZVXNC  
SJAAN1ZV9N  
SJAAM2ZVXN  
SJAAR2ZVXN  
SJAAL1ZV1NC  
SJAAR2ZV8NC  
SJAAM2ZV0N  
SJAAM2ZV2N  
SJAAL1ZV8NC  
SJAAL14V5NC  
SJAAL1ZV6NC  
SJAAN14V6NC  
SJAAS14VXNC  
SJAAS14V8NC  
SJAAL14V6NC  
SJAAD14V1NC  
SJAAM2ZV5N  
SJAAS14V5NC  
SJAAL14V8NC  
SJAAS14V7NC  
SJAAM2ZV7N  
SJAAS14V7NC  
SJAAM14V9N  
SJAAL14V7NC  
SJAAL1ZV8NC  
SJAAL1ZVXNC  
SJAAS14VXNC  
SJAAM2ZVXN  
SJAAL1ZVXNC  
SJAAS14V6NC  
SJAAM2ZV1N  
SJAAL14V8NC  
SJAAL14VXNC  
SJAAM2ZV7N  
SJAAM2ZV9N  
SJAAM2ZV0N  
SJAAL1ZV6NC  
SJAAM14V7N

SJAAS14V2NC  
SJAAL1ZV6NC  
SJAAS14V4NC  
SJAAM2ZV8N  
SJAAM2ZVXN  
SJAAS14VXNC  
SJAAS14V5NC  
SJAAM2ZV5N  
SJAAL1ZV1NC  
SJAAL14V6NC  
SJAAM2ZV3N  
SJAAL1ZV9NC  
SJAAS14V7NC  
SJAAM2ZV0N  
SJAAS14V4NC  
SJAAM2ZV0N  
SJAAM2ZV2N  
SJAAS14V2NC  
SJAAS14VXNC  
SJAAS14V8NC  
SJAAM2ZV1N  
SJAAM2ZV3N  
SJAAM14V3N  
SJAAM2ZV7N  
SJAAL1ZV7NC  
SJAAS14V7NC  
SJAAS14V5NC  
SJAAS14V0NC  
SJAAL1ZV4NC  
SJAAS14V0NC  
SJAAM2ZV6N  
SJAAN1ZV9N  
SJAAL1ZV3NC  
SJAAN1ZV7N  
SJAAS14V6NC  
SJAAS14V1NC  
SJAAS14V5NC  
SJAAL1ZV9NC  
SJAAS14V5NC  
SJAAD14V7NC  
SJAAM2ZV0N  
SJAAS14V0NC  
SJAAM2ZV9N  
SJAAR2ZV9NC  
SJAAS14V0NC  
SJAAM2ZV4N  
SJAAM2ZV6N  
SJAAM2ZV8N  
SJAAM2ZVXN  
SJAAL14V6NC  
SJAAM2ZV3N  
SJAAL14VXNC  
SJAAD14VXN  
SJAAL1ZV7NC  
SJAAL1ZV9NC  
SJAAS14V9NC  
SJAAS14V7NC  
SJAAL1ZV4NC  
SJAAM14V0N

## INTERNAL

SJAAM2ZV4N	SJAA514V0NC	SJAAL 14V0NC	SJAAM2ZV8NC	SJAAM2ZV9NC
SJAAM2ZV6N	SJAAM2ZV0N	SJAAM2ZV8N	SJAHT2ZV4PC	SJAAM2ZV0NC
SJAAL 1ZV1NC	SJAAM2ZV2N	SJAAR2ZV4NC	SJAAD14VXNC	SJAAL 14V9NC
SJAAM2ZV4N	SJAA414V4NC	SJAA514VXNC	SJAAM2ZV3NC	SJAAM2ZV8NC
SJAAL 1ZVXNC	SJAAL 1ZV1NC	SJAA514V1NC	SJAAD14V8NC	SJAAM2ZV1NC
SJAA514VXNC	SJAAM2ZVXN	SJAAD14VXNC	SJAAM2ZV1NC	SJAA514VXNC
SJAAL 1ZV3NC	SJAAM2ZV1N	SJAAM2ZV3N	SJAAM2ZV3NC	SJAAR2ZV8NC
SJAAR2ZV1NC	SJAA514V5NC	SJAA414V3NC	SJAAM2ZV7NC	SJAAD14V1NC
SJAA514V7NC	SJAA414V8NC	SJAAD14V5NC	SJAA414V7NC	SJAAM2ZV5NC
SJAAL 1ZV0NC	SJAA514V5NC	SJAAM2ZV9N	SJAAD14V9NC	SJAAL 14V1NC
SJAA414V7NC	SJAAD14V3NC	SJAAD14V9NC	SJAAL 1ZV6NC	SJAHT2ZV3PC
SJAAR2ZV9NC	SJAAN14V9NC	SJAAL 1ZV7NC	SJAHT2ZV9PC	SJAAL 14V5NC
SJAAM2ZV7N	SJAAM2ZV0N	SJAAL 1ZV9NC	SJAAD14V4NC	SJAAL 1ZV4NC
SJAAM2ZV9N	SJAAM2ZV2N	SJAAM2ZV7N	SJAA414V0NC	SJAAM14V2NC
SJAAM2ZV0N	SJAA514V8NC	SJAAL 1ZV2NC	SJAAM2ZV4NC	SJAAD14V4NC
SJAAM2ZV2N	SJAA414V2NC	SJAAL 1ZV6NC	SJAA514V8NC	SJAHT2ZV2PC
SJAAM2ZV4N	SJAAM2ZV6N	SJAAL 1ZVXNC	SJAAK14V9NC	SJAAD14V8NC
SJAAM2ZV6N	SJAA514VXNC	SJAAD14V8NC	SJAAD14V8NC	SJAHT2ZV6PC
SJAA414V6NC	SJAAL 1ZV3NC	SJAAM2ZV6N	SJAAL 14V8NC	SJAA514V5NC
SJAA514V1NC	SJAAL 1ZV5NC	SJAAD14V6NC	SJAA414V3NC	SJAHT2ZVXPC
SJAAM2ZV1N	SJAAL 1ZV7NC	SJAAM2ZVXN	SJAA514V9NC	SJAAD14V5NC
SJAAL 1ZV7NC	SJAAL 1ZV9NC	SJAAM2ZV1N	SJAAM2ZV5NC	SJAAM2ZV5NC
SJAA514V1NC	SJAAM2ZV7N	SJAA514V5NC	SJAAM2ZV7NC	SJAA514V0NC
SJAAM2ZV1N	SJAAD14V7NC	SJAAD14V3NC	SJAAM2ZV9NC	SJAAN14V4NC
SJAAN1ZV4NC	SJAA514V7NC	SJAAD14V5NC	SJAAM2ZV4NC	SJAA414V2NC
SJAA514V7NC	SJAA414V5NC	SJAAL 1ZV2NC	SJAAL 1ZV1NC	SJAAL 1ZVXNC
SJAAN1ZV8NC	SJAAD14V7NC	SJAAD14V9NC	SJAAM2ZVXNC	SJAAD14V8NC
SJAA514V0NC	SJAA514V2NC	SJAAM2ZV2N	SJAAD14V6NC	SJAA414V4NC
SJAA514V2NC	SJAAM2ZV2N	SJAAN14V0NC	SJAA514V3NC	SJAAL 1ZV1NC
SJAAL 1ZV6NC	SJAAM2ZV4N	SJAAL 1ZV4NC	SJAAL 14V8NC	SJAAR2ZVXNC
SJAAL 1ZV8NC	SJAA514V8NC	SJAHT2ZV9PC	SJAAK14V8NC	SJAAL 1ZV7NC
SJAAL 14V0NC	SJAAM2ZV8N	SJAA514V8NC	SJAAD14V7NC	SJAA414V3NC
SJAAD14V0NC	SJAA514V1NC	SJAA414V6NC	SJAAL 1ZV4NC	SJAAN1ZV8NC
SJAAL 14V9NC	SJAAL 1ZV1NC	SJAAM2ZVXN	SJAHT2ZV7PC	SJAA514V2NC
SJAAD14V4NC	SJAHT2ZV4PC	SJAAL 14V8NC	SJAAR2ZV2NC	SJAAD14V7NC
SJAAL 1ZV1NC	SJAAL 1ZV5NC	SJAA414V3NC	SJAAM2ZV7NC	SJAA514V4NC
SJAAL 1ZV3NC	SJAA514V5NC	SJAAL 1ZV5NC	SJAAL 1ZV2NC	SJAAR2ZV4NC
SJAA414VXNC	SJAAL 14VXNC	SJAAL 1ZV7NC	SJAAL 1ZV6NC	SJAAM2ZVXNC
SJAAM2ZV3N	SJAAL 1ZV0NC	SJAAM2ZV5N	SJAAN1ZV5NC	SJAAL 1ZV7NC
SJAA514V7NC	SJAA514V0NC	SJAAL 14V1NC	SJAAL 1ZVXNC	SJAAN14V3NC
SJAAM2ZV9N	SJAAM2ZV0N	SJAA514V0NC	SJAAD14V6NC	SJAA514V5NC
SJAAL 14V6NC	SJAAM2ZV2N	SJAAM2ZV0N	SJAAD14VXNC	SJAAM2ZV5NC
SJAA514V5NC	SJAAM2ZV4N	SJAA414V2NC	SJAAD14V1NC	SJAHT2ZV1PC
SJAAR2ZV5NC	SJAA414V0NC	SJAA514V8NC	SJAAD14V8NC	SJAAD14V7NC
SJAAM2ZV9N	SJAAM2ZV4N	SJAAL 1ZV1NC	SJAAD14VXNC	SJAHT2ZV5PC
SJAAD14V9NC	SJAA514V8NC	SJAAM2ZV4N	SJAAM2ZV5NC	SJAA514V4NC
SJAAL 14V9NC	SJAAM2ZV8N	SJAAL 14V2NC	SJAAM2ZV7NC	SJAA514V8NC
SJAAM2ZV6N	SJAA514V1NC	SJAAR2ZV8NC	SJAAM2ZV9NC	SJAHT2ZV2PC
SJAAL 14V2NC	SJAAD14VXNC	SJAAL 1ZV5NC	SJAA514V2NC	SJAA514V6NC
SJAAM2ZV4N	SJAA414V1NC	SJAA414V1NC	SJAAL 14V9NC	SJAA414V4NC
SJAAM2ZV8N	SJAAM2ZV5N	SJAAM2ZV5N	SJAA514V8NC	SJAAM2ZV8NC
SJAAM2ZVXN	SJAAD14V5NC	SJAAK14V8NC	SJAAM2ZV2NC	SJAAR2ZVXNC
SJAAL 14V6NC	SJAAD14V1NC	SJAAM2ZV9N	SJAAR2ZV4NC	SJAHT2ZV8PC
SJAA414V1NC	SJAAM2ZV5N	SJAA514V2NC	SJAAM2ZVXNC	SJAAM2ZV5NC
SJAAL 1ZV9NC	SJAA414V5NC	SJAAM2ZV7N	SJAAM2ZV5NC	SJAAD14V1NC
SJAA514V9NC	SJAAM2ZV9N	SJAAM2ZV9N	SJAAM2ZV7NC	SJAAM2ZV7NC
SJAAM2ZV9N	SJAA514V2NC	SJAA414V9NC	SJAAD14V7NC	SJAAD14V7NC
SJAA414V9NC	SJAHT2ZV7PC	SJAA514V4NC	SJAAD14V3NC	SJAAL 14V7NC
SJAAL 14V1NC	SJAAD14V2NC	SJAAM2ZV6N	SJAA414V5NC	SJAAM2ZV4NC

