



INSTRUCTIONS TO PERFORM REMEDY FOR RECALL 175

Models Affected:

Model	Model Year		Build Date	
	Start	End	Start	End
Winnebago Vista	2022	2023	8/30/2021	5/12/2023
Itasca Sunstar	2022	2023	8/28/2021	5/16/2023
Winnebago Adventurer	2022	2023	8/27/2021	5/17/2023
Winnebago Forza	2022	2023	8/27/2021	5/16/2023
Winnebago Journey	2022	2023	1/13/2022	5/11/2023
Winnebago Inspire	2021	2023	8/26/2021	3/20/2023
Shell Shell	2020	2023	8/27/2021	5/17/2023

Tools Required:

- Flat blade screwdriver or pry tool.
- ft/lb. torque wrench
- 3/4" socket.

Parts Required:

- Orange torque paint

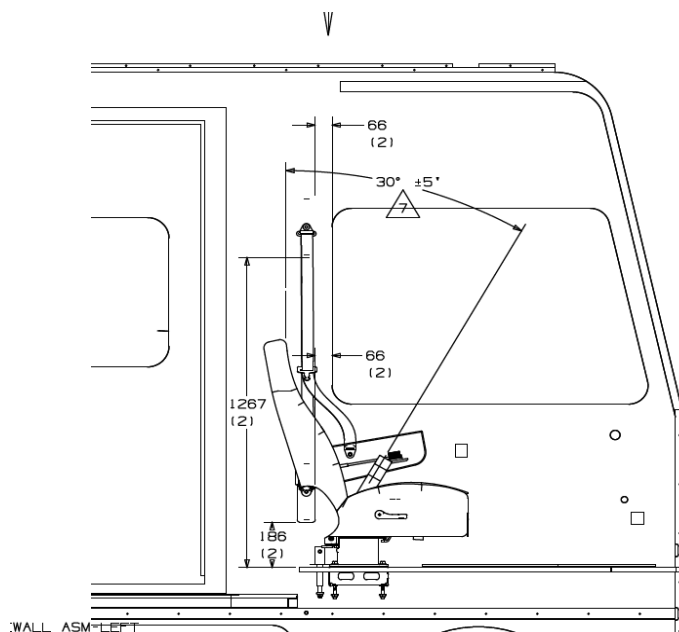
INSTRUCTIONS TO PERFORM REMEDY FOR RECALL 175

Procedure:

1. Remove caps from two inner seatbelt buckles attached to front seat pedestals with flat blade screwdriver or pry tool.

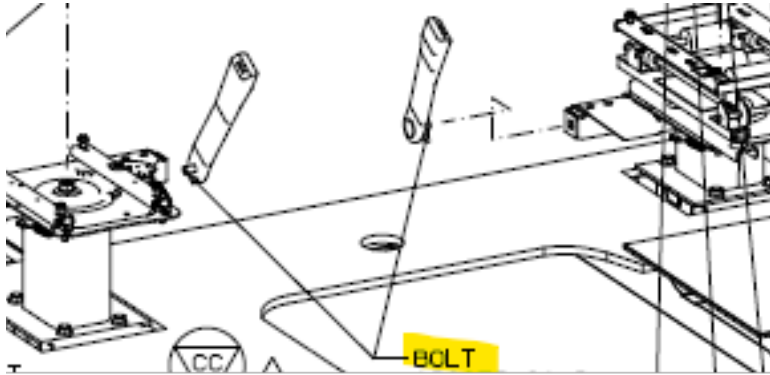


2. Ensure 30-degree angle for each seat belt buckle is met. Loosen bolt under cap and correct angle if required.



INSTRUCTIONS TO PERFORM REMEDY FOR RECALL 175

3. Torque bolt under each cap to 45+/-3.5 Nm (33+/-3 ft-lb)



INSTRUCTIONS TO PERFORM REMEDY FOR RECALL 175

4. Apply torque paint to bolt across connection point.



(Illustrative photo)

5. Reinstall caps.

