

# SAFETY RECALL

**Mack Trucks Inc.**  
Greensboro, NC USA



---

Date	Number	Release	Page
06.2023	<b>SC0443</b>	<b>01</b>	<b>1(15)</b>

## **Mack LR DSNY Horn Inoperative LR**

### **RECALL INFORMATION**

(June 2023)

Mack Trucks has determined that certain 2024 model year LR vehicles have an in-operative horn button on the steering wheel. The steering wheel mounted horn will not operate as intended without a warning to the driver. A new wiring harness has been developed to correct this issue.

Mack Trucks has not received any complaints or reports of vehicle crashes because of this safety issue; therefore, Mack considers this as a proactive measure to protect the public and Mack's customers from the potential risk associated with this defect.

To ensure that these vehicles meet Mack's stringent quality requirements, follow the instructions outlined below to replace the horn wiring harness in the driver's steering column.

### **VEHICLES AFFECTED**

Certain Mack LR Battery Electric Vehicles manufactured between March 9, 2023, and March 21, 2023.

### **VEHICLE QUANTITY**

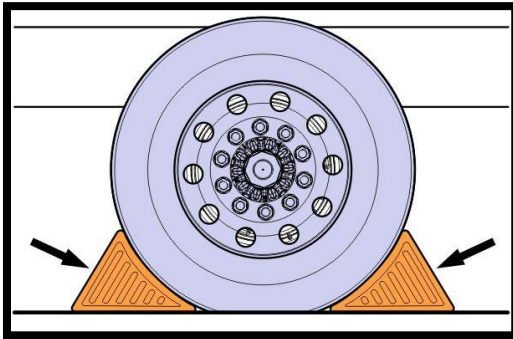
There are 5 vehicles affected by this recall. (5 US, 0 CAN)

## Parts

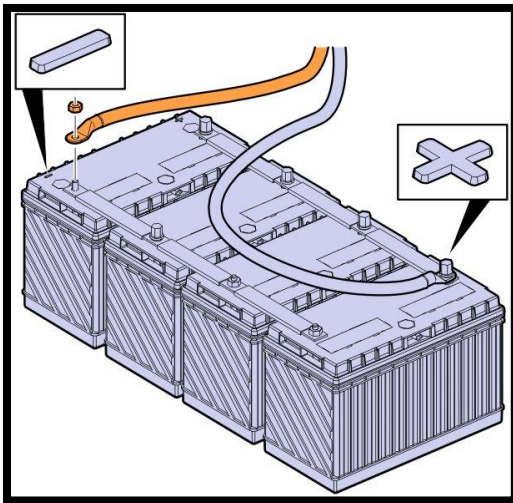
Part Number	Part Description	Quantity
24078162	Steering column harness	1

## Repair Instructions

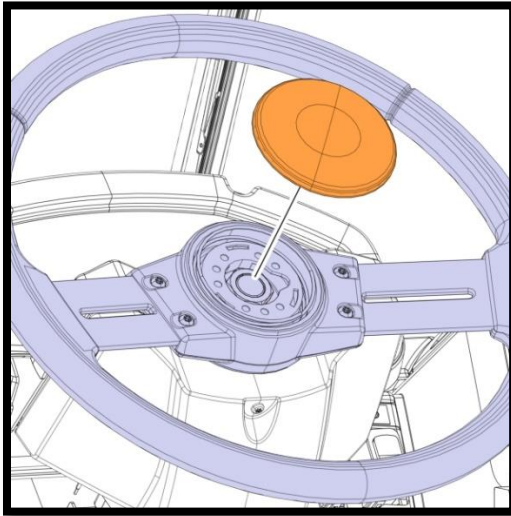
1. Secure Vehicle for Service.
2. Apply the parking brake.
3. Place the transmission in neutral or park.
4. Install the wheel chocks.



5. Disconnect the cable from the battery's negative terminal.

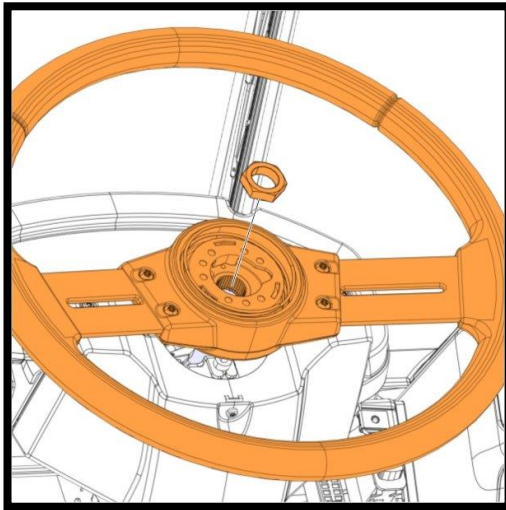


6. Remove the button (left side).
7. Disconnect the connector.

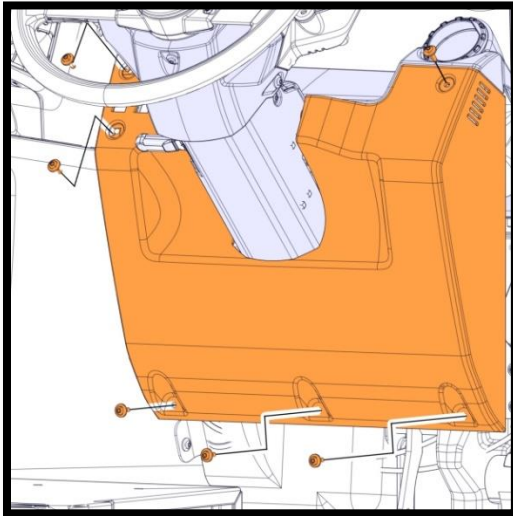


- 8. Remove the steering wheel nut (left Side).
- 9. Remove the steering wheel (left side).

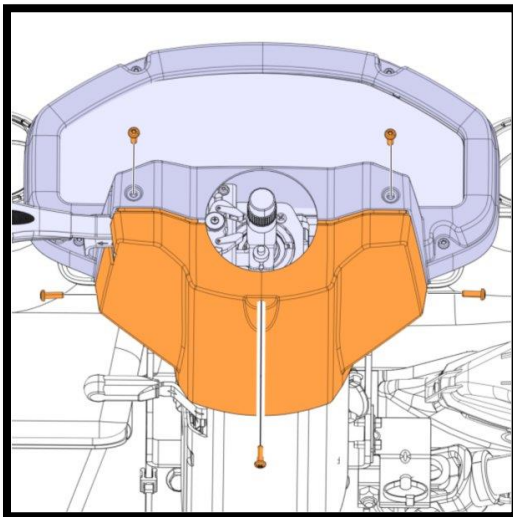
Required material	
Puller	9996519



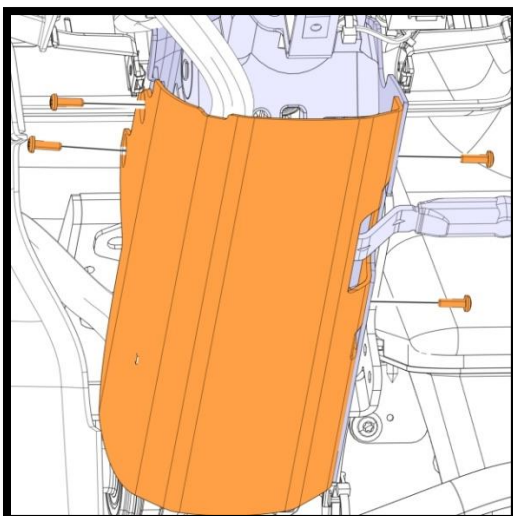
- 10. Remove the panel. (Both sides)



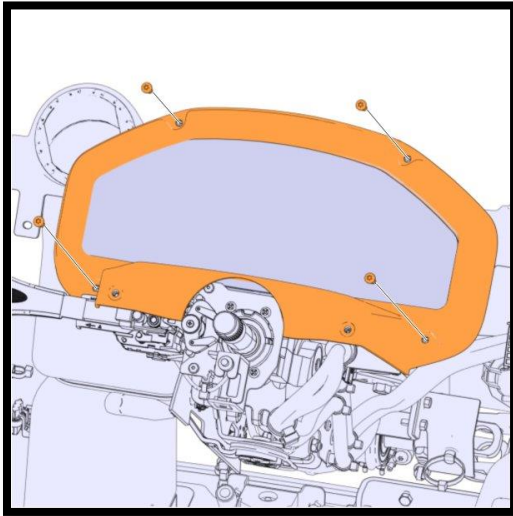
11. Remove the panel. (Left side)



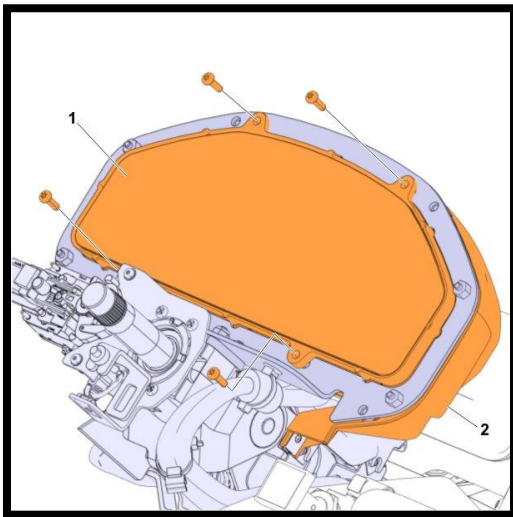
12. Remove the cover. (Left side)



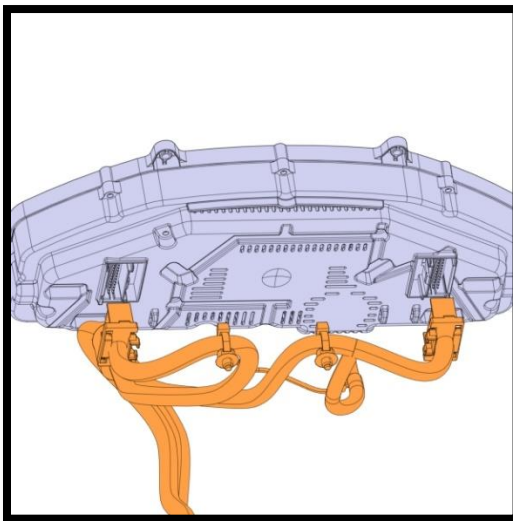
13. Remove the instrument cluster bezel. (Left side)



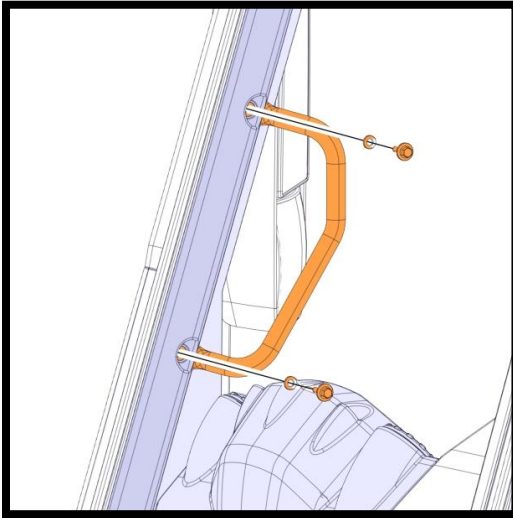
14. Remove the cluster (1) and the cover (2). (Left side)



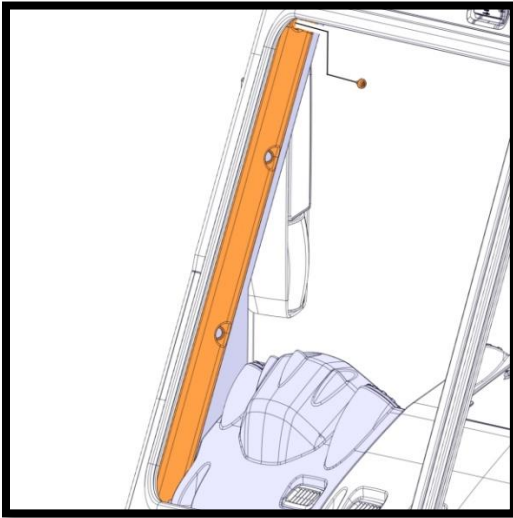
15. Disconnect the connectors.



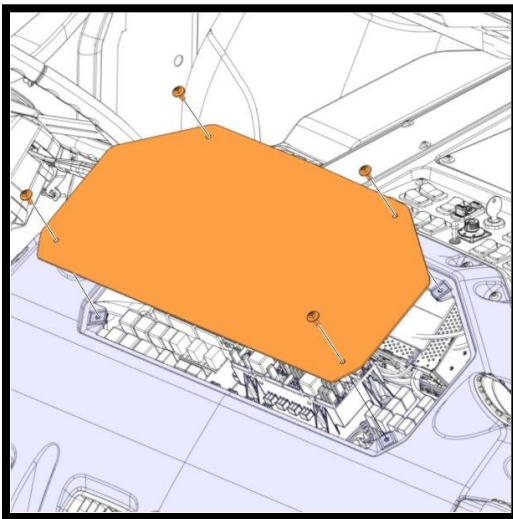
16. Remove the grab handles. (Both sides)



17. Remove the trim panels (both sides).



18. Remove the panel.

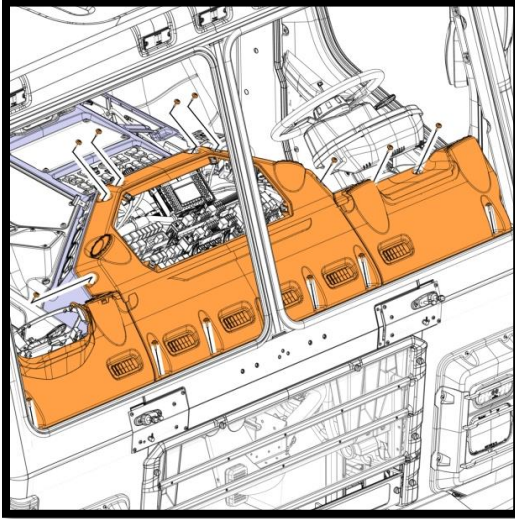




**Warning !!**

Heavy component. Exercise caution when moving the component. Assistance may be required.

19. Remove the panel.

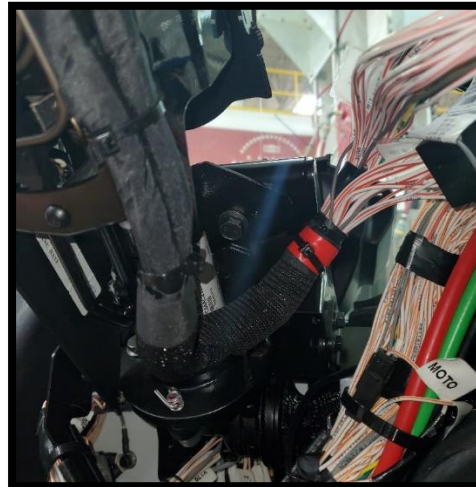
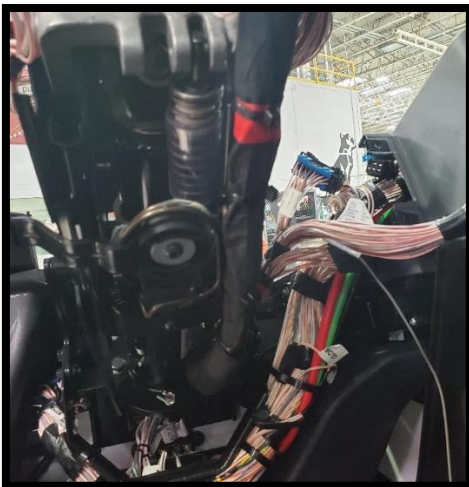


20. Disconnect all connectors for the column harness, take note how the harness is routed.

21. Remove the left side column harness.

22. Install the new column wiring harness **24078162** following the original routing.

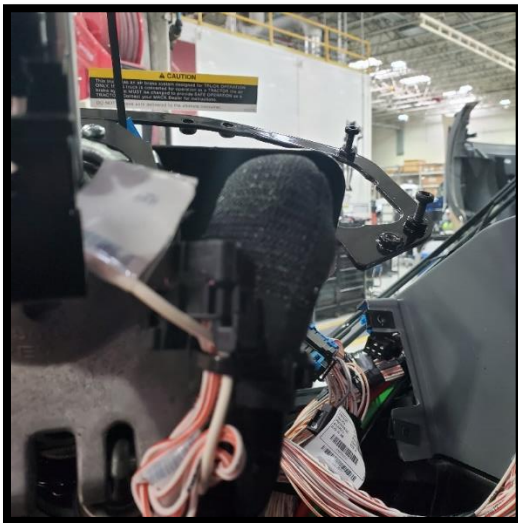
23. The new harness has several areas with red tape marks, use these marks when securing the new harness with tie straps.



24. Install the horn button.

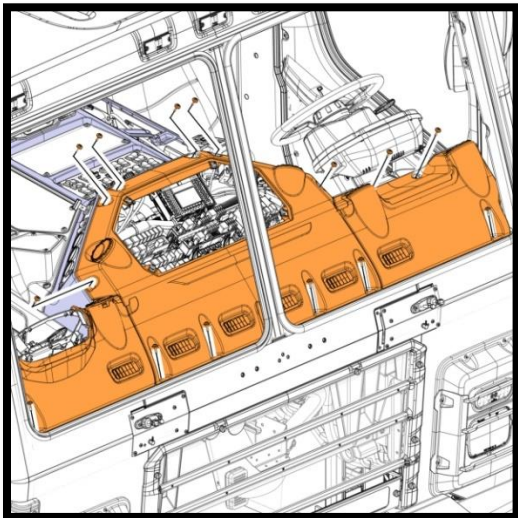


25. Secure the steering angle sensor connector to the harness as it is not used.



26. Install the panel.

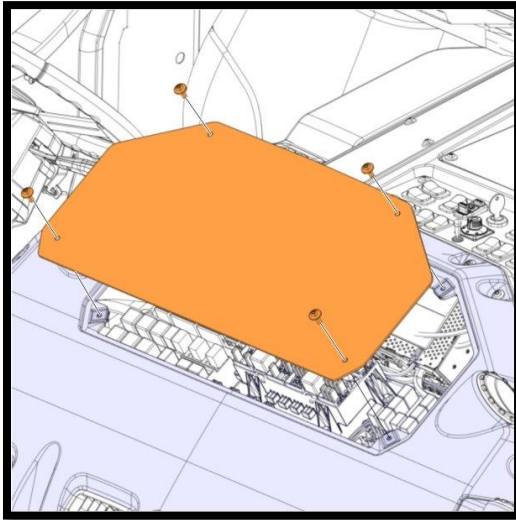
27. Install the fasteners.





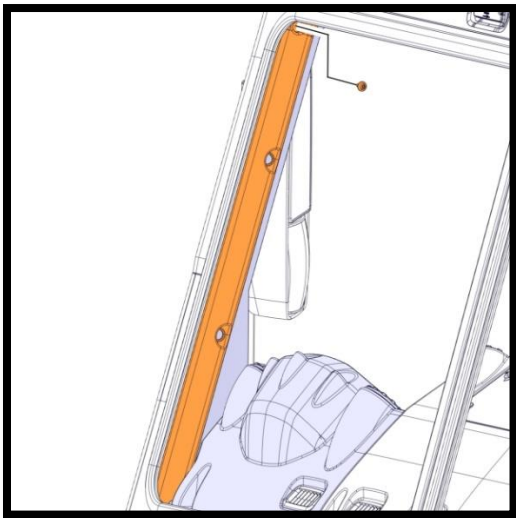
Tightening torque	
Interior panel, screw	3.4 ±0.6 Nm (30 ±5 lb <sub>f</sub> ·in)

28. Install the cover.



Tightening torque	
Interior panel, screw	3.4 ±0.6 Nm (30 ±5 lb <sub>f</sub> ·in)

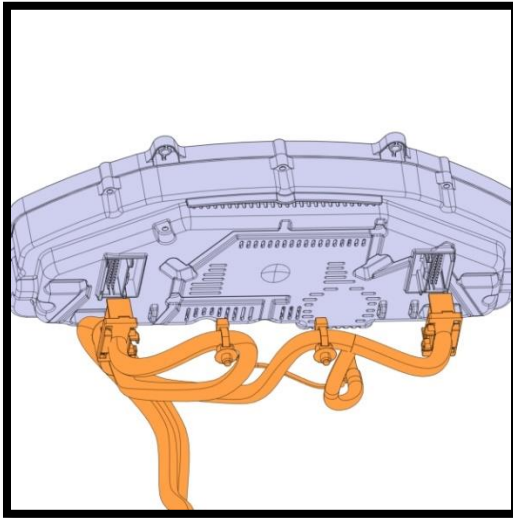
29. Install the trim panels. (Both sides)



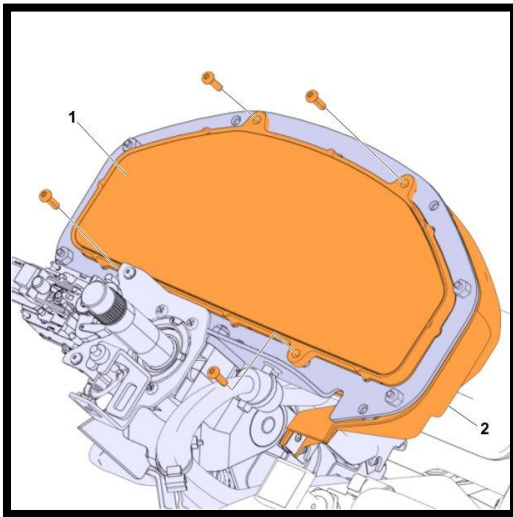
30. Install grab handles. (Both sides)

Tightening torque	
A-pillar cover panel, fastener	3.4 ±0.6 Nm (30 ±5 lb <sub>r</sub> ·in)
Grab handle, fastener	24 ±4 Nm (18 ±3 lb <sub>r</sub> ·ft)

31. Connect the connectors.



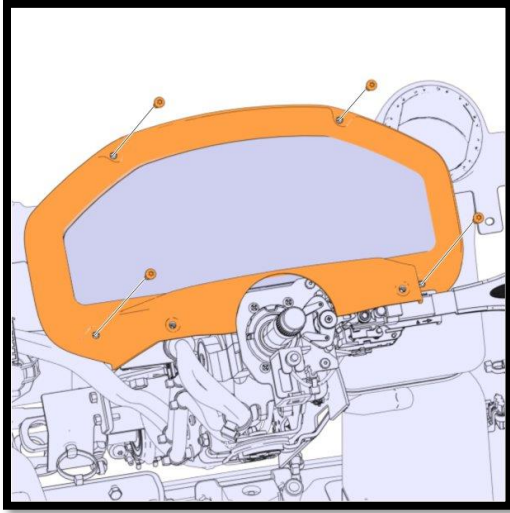
32. Install the cluster (1) and cover (2)



33. Install the instrument cluster bezel.

Tightening torque	
Instrument cluster, fastener	1.1 ±0.3 Nm (10 ±3 lb <sub>r</sub> ·in)
Instrument cluster rear cover, fastener	1.1 ±0.3 Nm (10 ±3 lb <sub>r</sub> ·in)

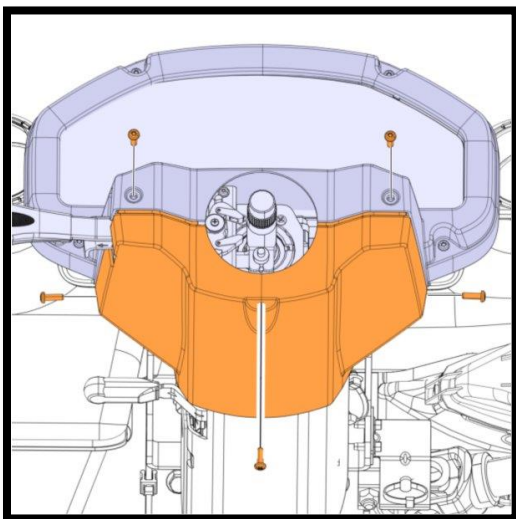
Tightening torque	
Instrument cluster bezel, fastener	1.1 ±0.3 Nm (10 ±3 lb <sub>f</sub> ·in)



34. Install the cover.



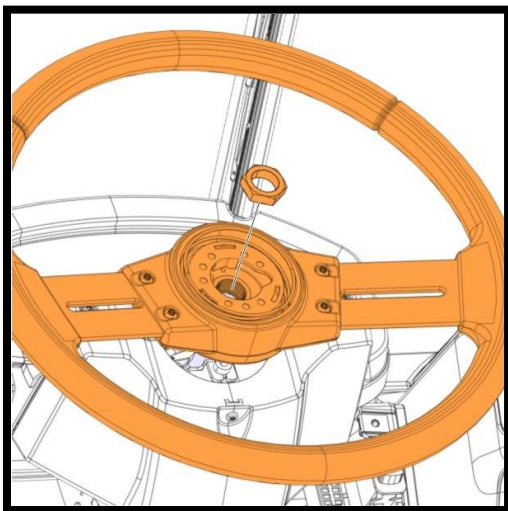
35. Install the panel.



Tightening torque	
Interior panel, screw	3.4 ±0.6 Nm (30 ±5 lb <sub>r</sub> ·in)

36. Install the steering wheel.

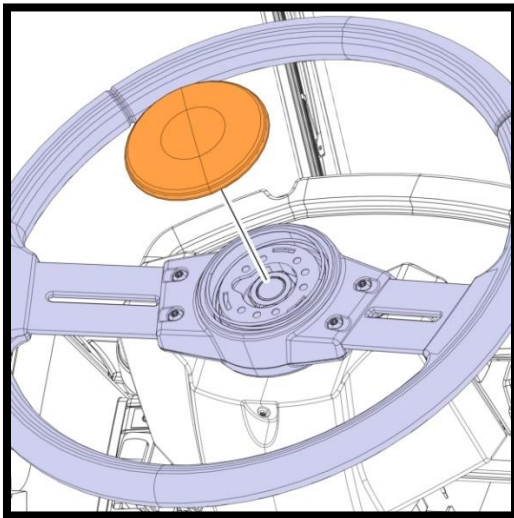
37. Install the steering wheel nut.



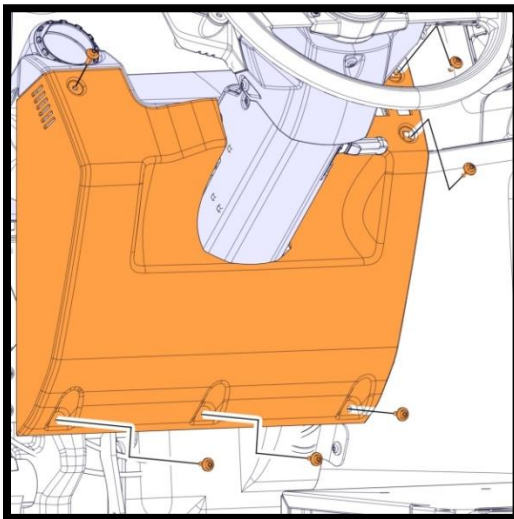
Tightening torque	
Steering wheel, nut	68 ±5 Nm (50 ±4 lb <sub>r</sub> ·ft)

38. Connect the horn connector.

39. Install the horn button.



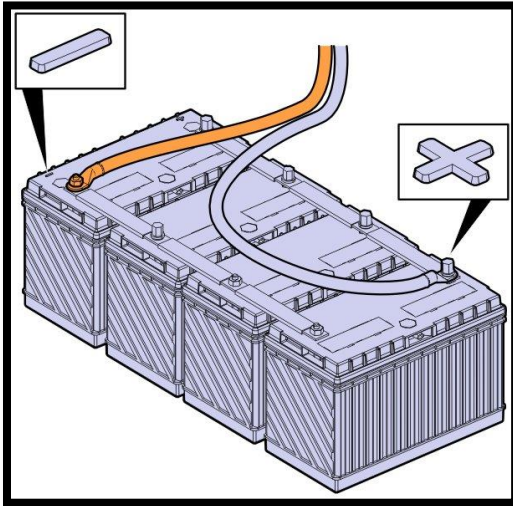
40. Install the panel. (Both sides)



Tightening torque	
Interior panel, fasteners	3.4 ±0.6 Nm (30 ±5 lb <sub>r</sub> ·in)

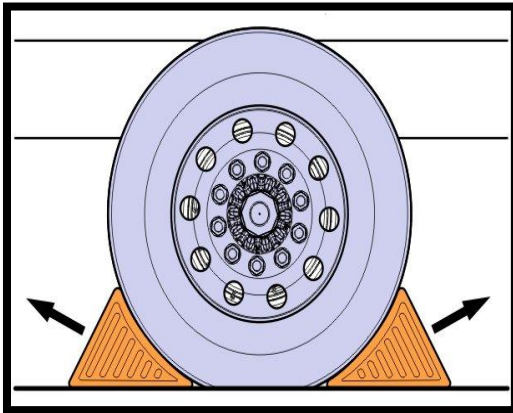
41. Connect the battery cable to the negative terminal.





42. Test the operation of the horn.

43. Remove the wheel chocks.



44. Release the vehicle to the customer.

**REIMBURSEMENT**

<p>This repair is covered by an authorized Safety Recall. Reimbursement is obtained through the normal claim handling process.</p>	
	<b>UCHP Reimbursement</b>
<b>Claim Type</b> (used only when uploading from the Dealer Business System)	40
<b>Recall Status</b>	
Vehicle repaired per instructions	1-Modified per instructions
<b>Labor Codes</b>	
<b>3751-03-02-07 Harness, Steering Column, Replacement</b>	3.2
<b>Causal Part</b>	22834392
<b>Authorization Number</b>	C0297

**Note:** Dealers are to perform Safety Recalls on all subject vehicles at no charge to the vehicle owner regardless of mileage, age of vehicle or ownership (original purchaser or subsequent purchasers). Whenever vehicles are subject to a Safety Recall are brought to your dealership for service, or taken into your dealership vehicle inventory, it is strongly recommended that every effort be made to perform the recall correction before the vehicle is sold or released to the owner.