

# SAFETY RECALL

Volvo Trucks North America

Greensboro, NC USA

# VOLVO

---

Date	Number	Release	Page
05.2023	RVXX2303	05	1(4)

## Volvo Active Drive Assist VNR

### RECALL INFORMATION

Revised Date 12/6/2023

Volvo Trucks has determined that certain VNR Electric model trucks equipped with adaptive cruise control could experience an overly aggressive braking event during regenerative braking when lightly loaded. Overly aggressive braking could cause rear axle skidding and loss of control resulting in vehicle crash.

Volvo trucks is currently working on a remedy program and once available there will be a follow up service campaign to provide a solution. Dealers and customers will be notified when the remedy is available.

Volvo Trucks has not received any complaints or reports of injury; therefore, Volvo considers this as a proactive measure to protect the public and Volvo's customers from the potential risk associated with this defect.

Currently, Volvo Trucks is requiring the removal of the front radar, its bracket and installation of a par file. Please follow instruction below to complete.

### VEHICLES AFFECTED

Certain 2020 to 2023 Volvo VNR electric model vehicles manufactured from April 16, 2019 through October 19, 2022.

### VEHICLE QUANTITY

There are 241 vehicles affected by this recall (238 U.S.,3 Canada).

## VIN Inspections

Before continuing to the recall instruction or ordering parts, you will need to check all VINs against the list below. Trucks with VINs included on the follow list will require the completion of Service Campaign S3699, and no further work will be needed under this recall. For included VINs please file a claim against this recall using the Main Labor code.

4V4WB9KN0PN616638	4V4WB9KN3PN617329	4V4WB9KN5PN623164	4V4WB9KN8PN617326
4V4WB9KN0PN616641	4V4WB9KN3PN617332	4V4WB9KN5PN623665	4V4WB9KN8PN617343
4V4WB9KN0PN617305	4V4WB9KN3PN617346	4V4WB9KN5PN624394	4V4WB9KN8PN617357
4V4WB9KN0PN617353	4V4WB9KN3PN619579	4V4WB9KN5PN624685	4V4WB9KN8PN617360
4V4WB9KN0PN623007	4V4WB9KN3PN623017	4V4WB9KN6NN609223	4V4WB9KN8PN622512
4V4WB9KN0PN623010	4V4WB9KN3PN623020	4V4WB9KN6PN616644	4V4WB9KN8PN623028
4V4WB9KN0PN623038	4V4WB9KN3PN623051	4V4WB9KN6PN617308	4V4WB9KN8PN623031
4V4WB9KN0PN623041	4V4WB9KN3PN623065	4V4WB9KN6PN617311	4V4WB9KN8PN623062
4V4WB9KN0PN623668	4V4WB9KN3PN623163	4V4WB9KN6PN617325	4V4WB9KN9PN616637
4V4WB9KN1PN616633	4V4WB9KN3PN623664	4V4WB9KN6PN617342	4V4WB9KN9PN616640
4V4WB9KN1PN617314	4V4WB9KN3PN624684	4V4WB9KN6PN617356	4V4WB9KN9PN617318
4V4WB9KN1PN617345	4V4WB9KN3PN627021	4V4WB9KN6PN622511	4V4WB9KN9PN617349
4V4WB9KN1PN619578	4V4WB9KN4NN609852	4V4WB9KN6PN623013	4V4WB9KN9PN623006
4V4WB9KN1PN623016	4V4WB9KN4PN616643	4V4WB9KN6PN623027	4V4WB9KN9PN623023
4V4WB9KN1PN623033	4V4WB9KN4PN617307	4V4WB9KN6PN623030	4V4WB9KN9PN623040
4V4WB9KN1PN623047	4V4WB9KN4PN617310	4V4WB9KN6PN623044	4V4WB9KN9PN623670
4V4WB9KN1PN623050	4V4WB9KN4PN617324	4V4WB9KN6PN624677	4V4WB9KNXPN616663
4V4WB9KN1PN623064	4V4WB9KN4PN617341	4V4WB9KN6PN624694	4V4WB9KNXPN617263
4V4WB9KN2PN616639	4V4WB9KN4PN617355	4V4WB9KN7PN616636	4V4WB9KNXPN617313
4V4WB9KN2PN616642	4V4WB9KN4PN623009	4V4WB9KN7PN617317	4V4WB9KNXPN617327
4V4WB9KN2PN617306	4V4WB9KN4PN623012	4V4WB9KN7PN617348	4V4WB9KNXPN617344
4V4WB9KN2PN617340	4V4WB9KN4PN623043	4V4WB9KN7PN619116	4V4WB9KNXPN617358
4V4WB9KN2PN617354	4V4WB9KN4PN624693	4V4WB9KN7PN623005	4V4WB9KNXPN619577
4V4WB9KN2PN623008	4V4WB9KN5NN606443	4V4WB9KN7PN623019	4V4WB9KNXPN622513
4V4WB9KN2PN623011	4V4WB9KN5PN616635	4V4WB9KN7PN623022	4V4WB9KNXPN623015
4V4WB9KN2PN623025	4V4WB9KN5PN617302	4V4WB9KN7PN623036	4V4WB9KNXPN623029
4V4WB9KN2PN623669	4V4WB9KN5PN617316	4V4WB9KN7PN623165	4V4WB9KNXPN623063
4V4WB9KN3NN606442	4V4WB9KN5PN617347	4V4WB9KN7PN624395	4V4WB9KNXPN624682
4V4WB9KN3PN616634	4V4WB9KN5PN617350	4V4WB9KN8NN609224	4V4WB9KNXPN624696
4V4WB9KN3PN617301	4V4WB9KN5PN623004	4V4WB9KN8PN617309	4V4WC9KN7NN609180
4V4WB9KN3PN617315	4V4WB9KN5PN623018	4V4WB9KN8PN617312	4V4WC9KN9MN601192
4V4WC9KN9NN609178			

### Parts Information

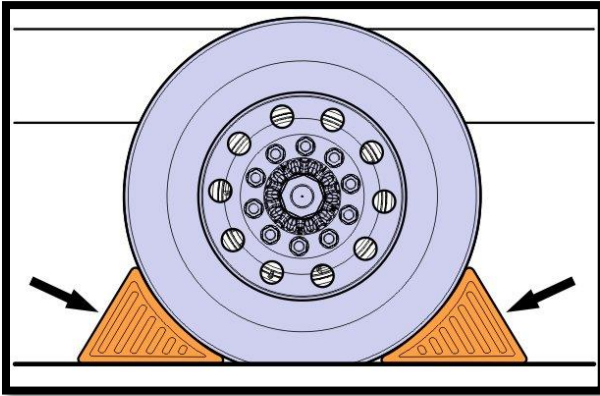
	<b>Part Description</b>	<b>Part Number</b>	<b>Quantity</b>
1	Connector Cap	24202558	1
2	Cavity Plug Seal	22036053	10
3	Tie straps	20817302	4
4	Windshield Label (English)	24585112	1
5	Harness Label (English)	24585120	1
	<b>If French Labels are needed.</b>		
6	Windshield Label (French)	24585122	1
7	Harness Label (French)	24585115	1

### Parts Ordering

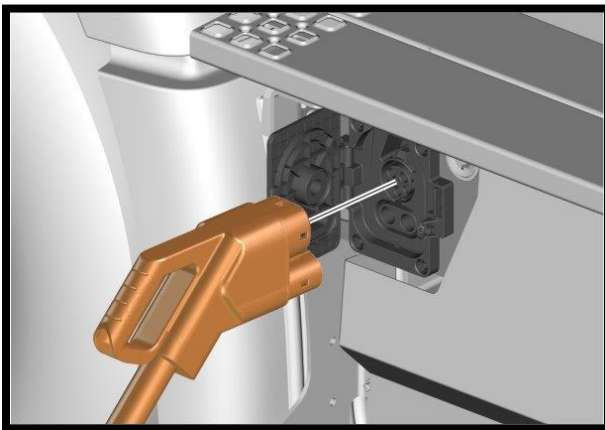
Order using normal process.

## Repair Instructions

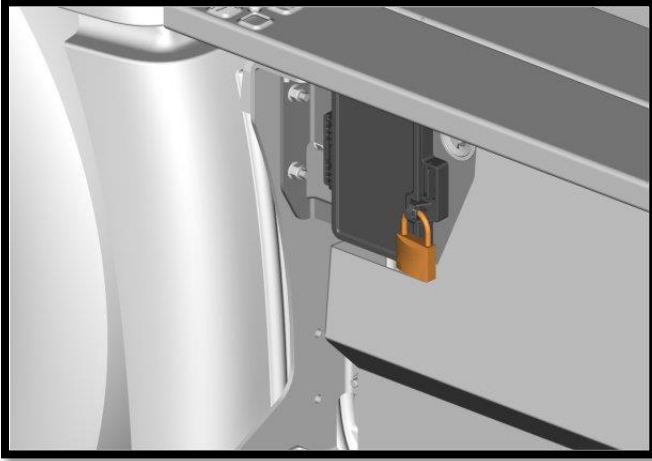
1. Park the vehicle on level surface.
2. Apply parking brake.
3. Place the transmission in park or neutral.
4. Turn off ignition.
5. Install wheel chocks.



6. Perform inspection to determine the state of truck, if radar and bracket is not installed, harness is capped and tied back, and labels are installed you can skip to step 36.
7. Disconnect all external power supply or charging devices.



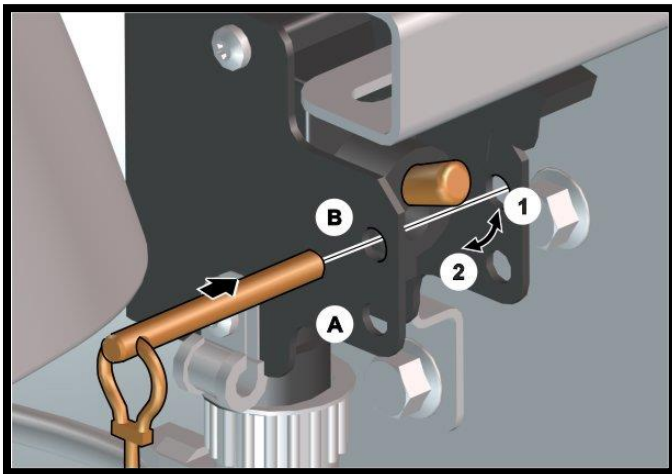
8. Lock the access to the CCS (Combined Charging System).



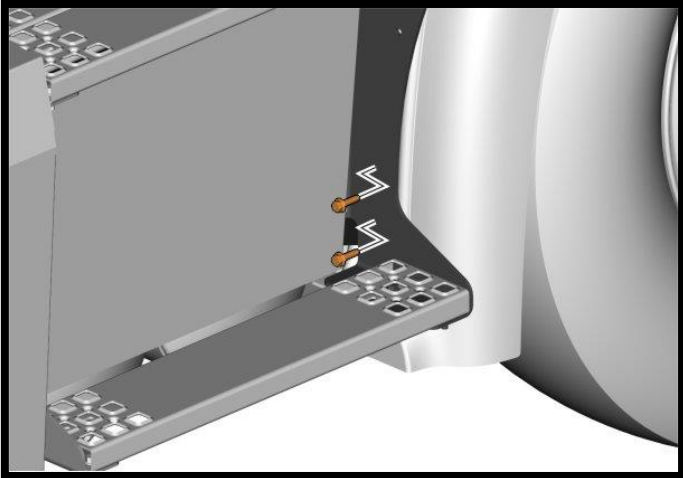
9. Set the chassis switch to position (1).  
**Switch, position**

Position	Status
1	OFF
2	ON

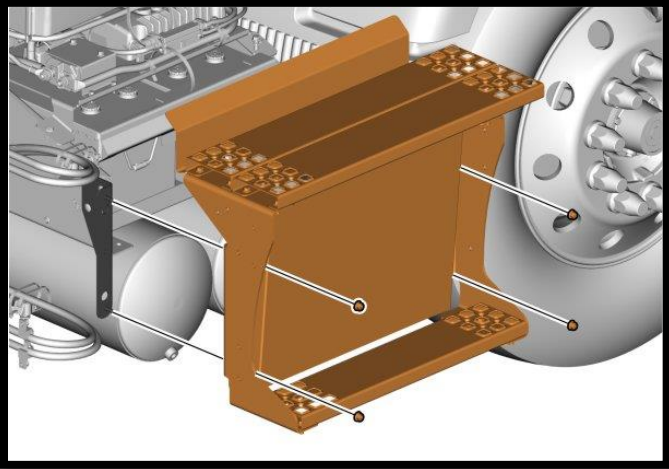
10. Remove the safety pin from the slot (A) and install in the slot (B).



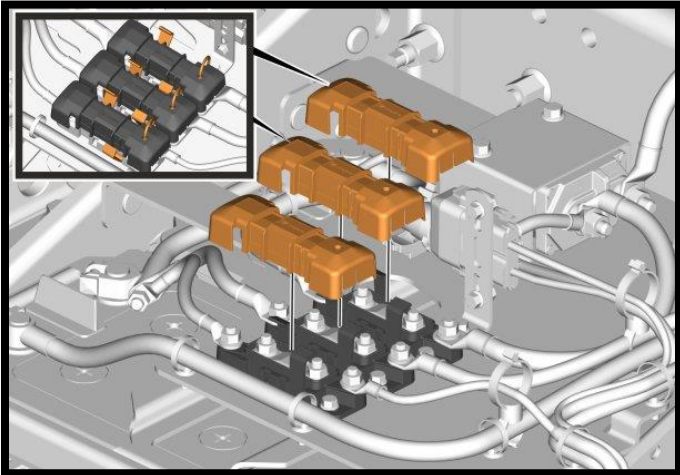
11. Remove battery cover bolts.



12. Remove battery cover nuts and remove cover.

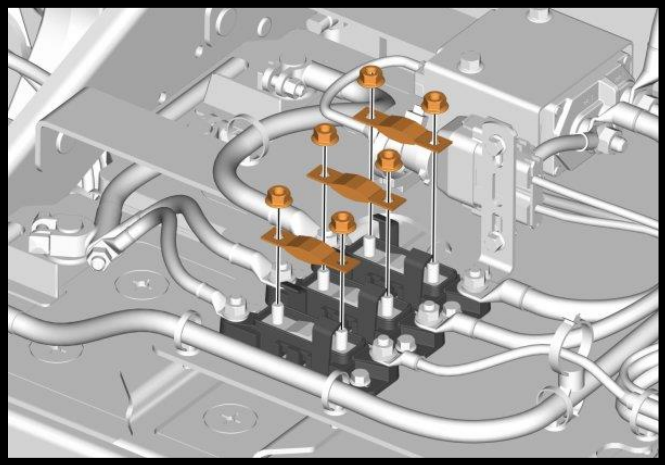


13. Remove fuse covers

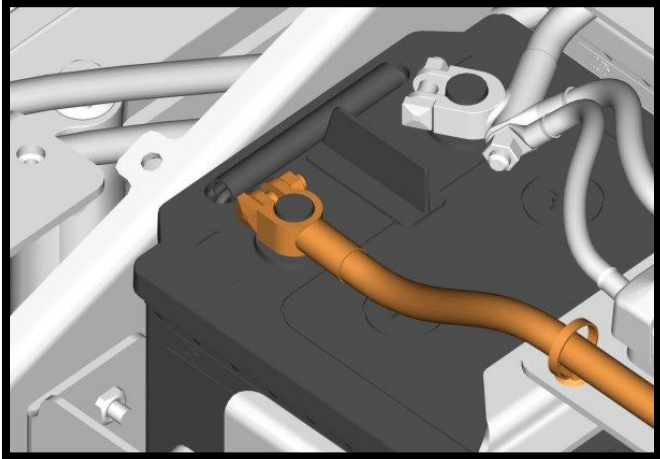




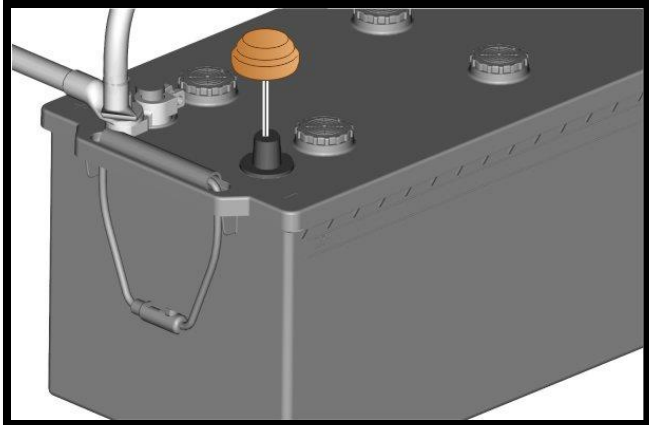
14. Remove Fuses.



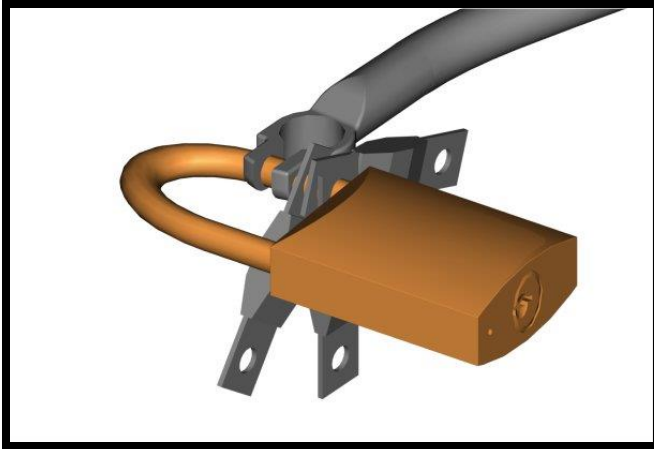
15. Disconnect the cable from the negative terminal.



16. Cover negative battery post.



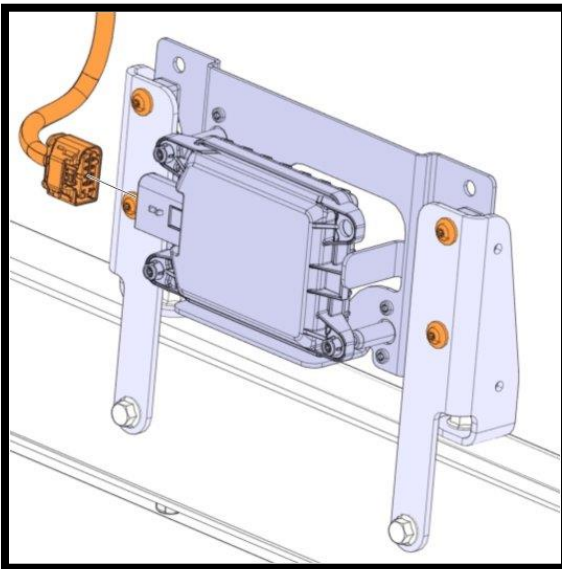
17. Lock the negative terminal along with fuses.



### Important Note

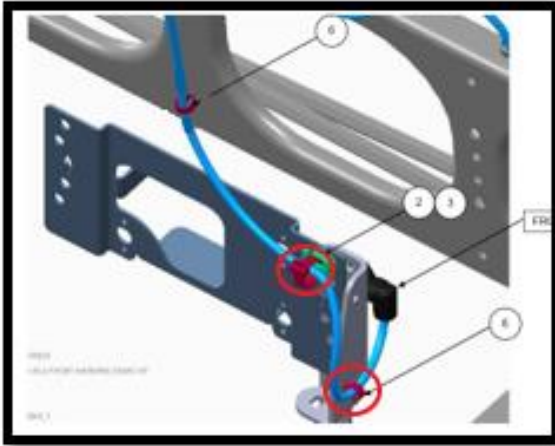
Not all trucks were shipped the same. Some parts may not have been installed or have already been removed. Because of this, some of the following instructions may not apply to all trucks. You can skip steps as needed but please review all steps to ensure every truck has the same outcome.

18. Disconnect the forward-facing radar.



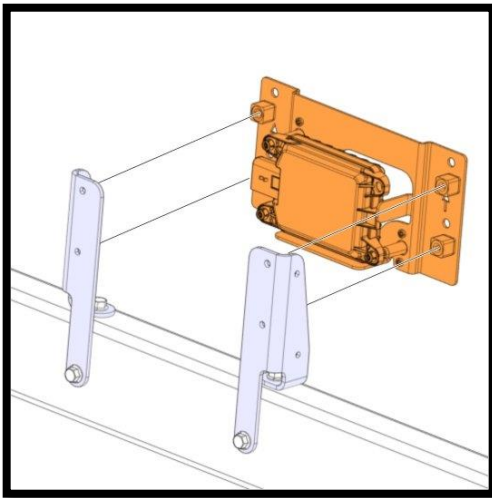


19. Remove the tie straps circled below.

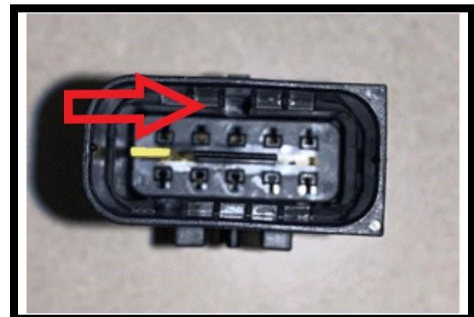
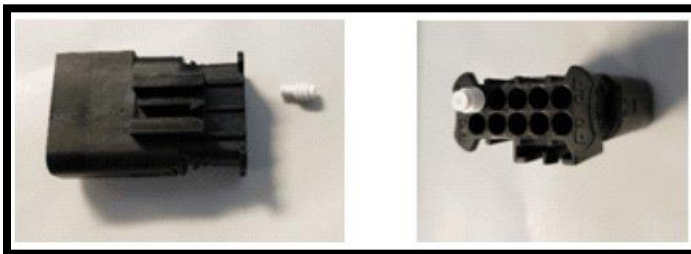


20. Remove forward-facing radar and bracket as an assembly.

**Important Note**  
If only the bracket is installed it will need to be removed in the same manner.



21. Install connector seals into connector cap and slide yellow locking tab to the locked position.



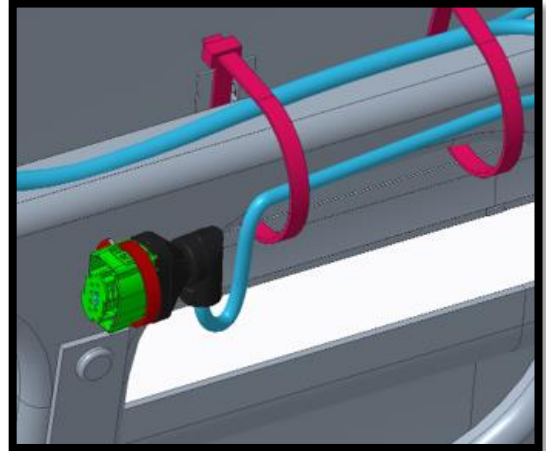
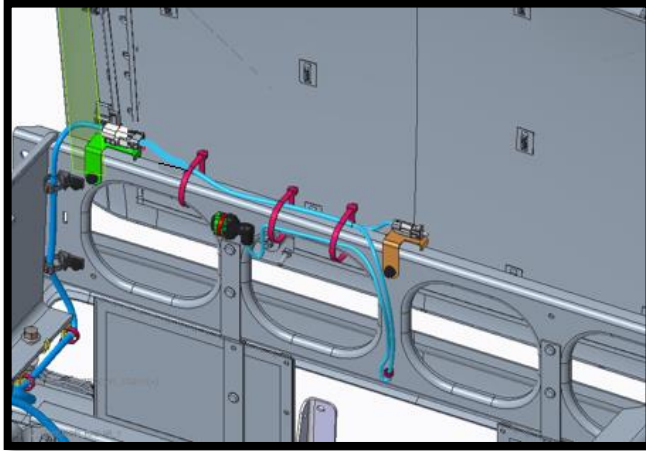
22. Install connector cap onto harness.



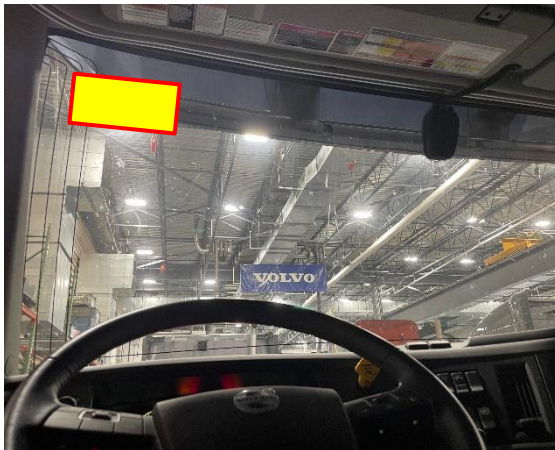
23. Wrap warning label (P/N-24585120) around radar harness within an inch of the radar connector.



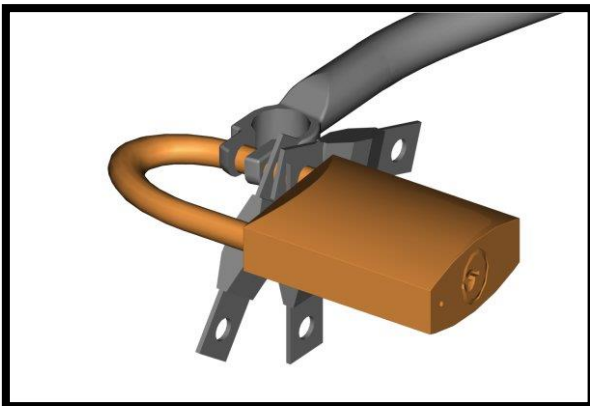
24. Tie back harness as pictured below.



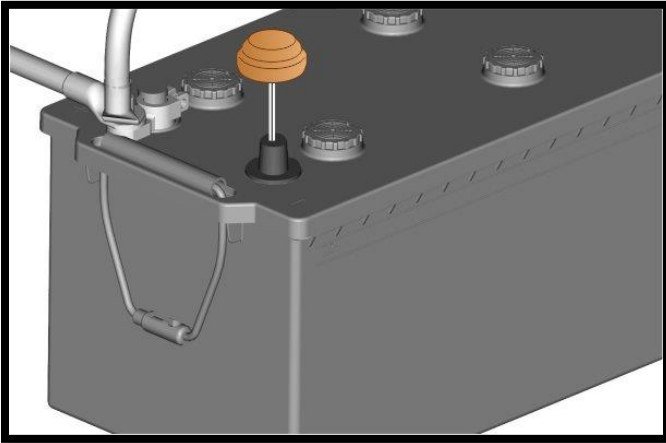
25. Place warning label (P/N-24585112) in top left-hand corner of windshield. If there is a label already there that pertains to VADA place new label over top of it.



26. Unlock the negative terminal and fuses.

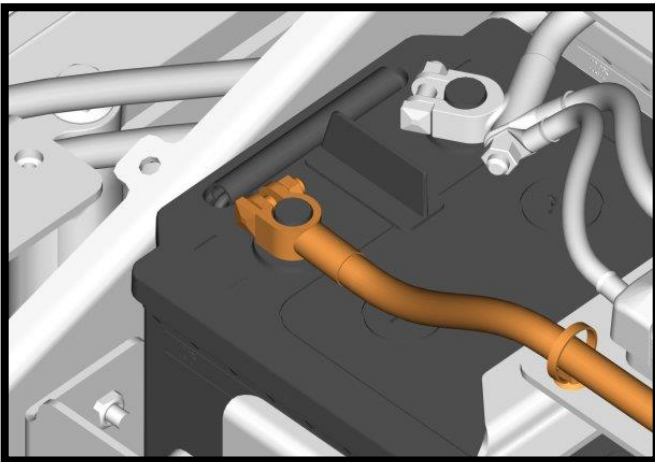


27. Remove negative battery post cover.



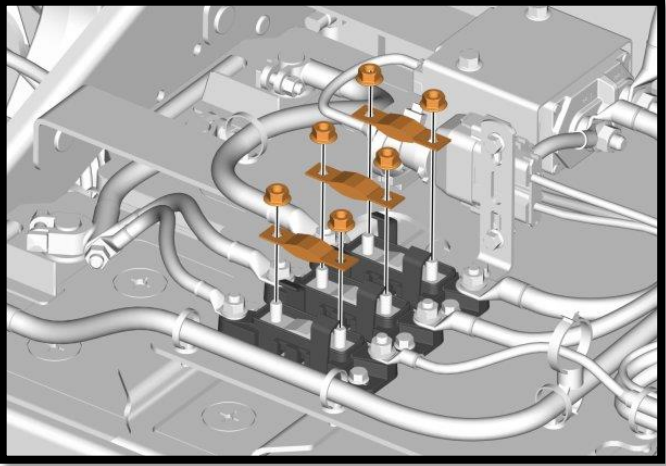
28. Connect the cable to the negative terminal.

Tightening torque	
Cable terminal, nut	4.5 ±0.5 Nm (3 ±0.4 lb <sub>r</sub> ·ft)

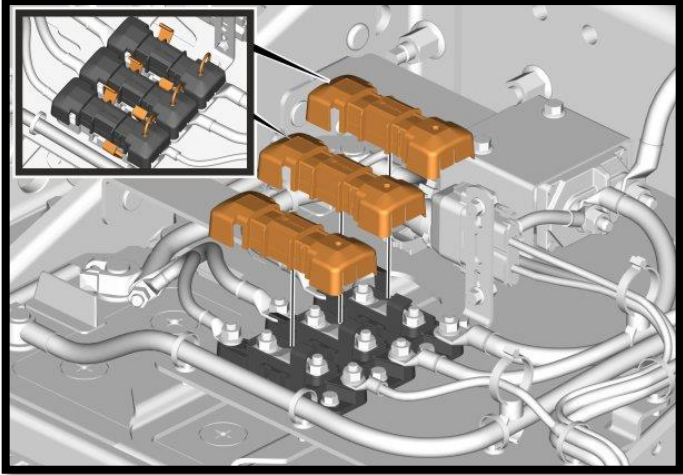


29. Install fuses.

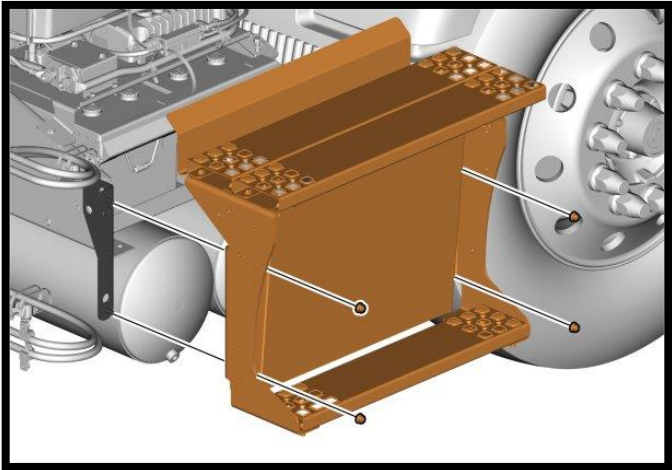
Tightening torque	
Fuse, nut	15 ±3 Nm (11 ±2 lb <sub>r</sub> -ft)



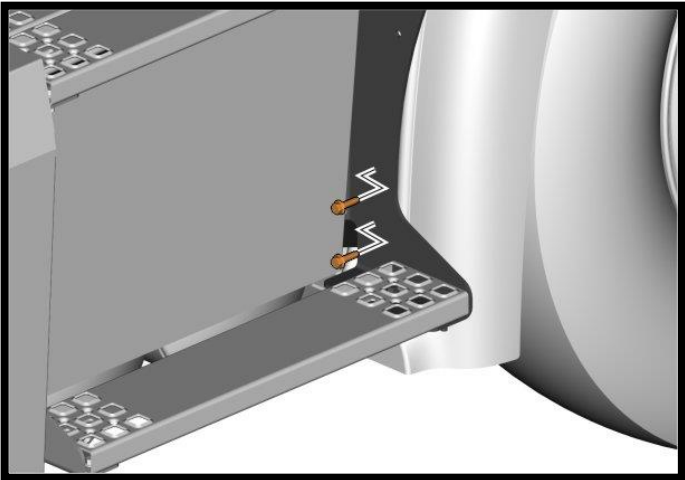
30. Install fuse covers.



31. Install battery cover and install nuts.



32. Install bolts.



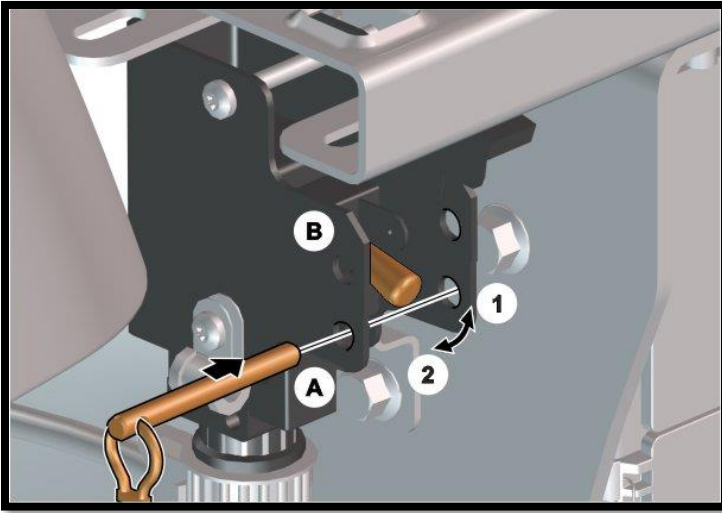


33. Remove the safety pin from slot (B) and install in slot (A).

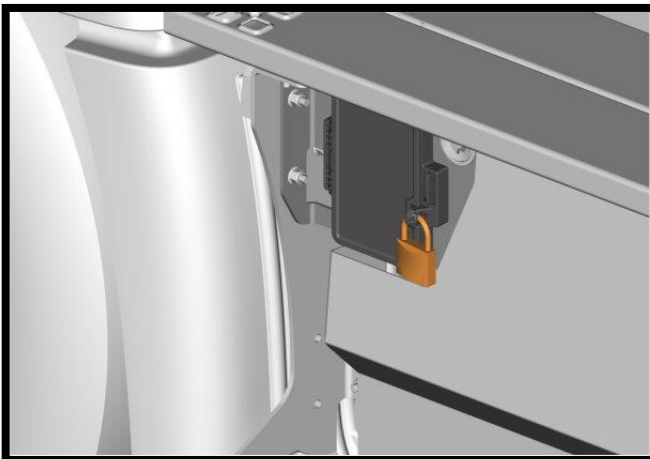
34. Set the chassis switch to position (2).

**Switch, position**

Position	Status
1	OFF
2	ON



35. Unlock the access to the CCS.



36. Turn on ignition

37. Connect truck to PTT.



38. Run operation **5931-07-03-20** under the Calibrate tab to update the ABS control unit.

Note!
If you are experiencing issues running operation 5931-07-03-20 reference CBR- 2042 on how to set up Vendor Configuration Programming (VCP).

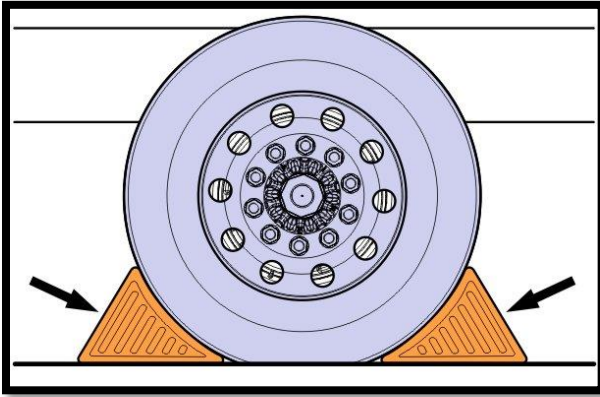
Important Note
Please ensure ABS .par file is updated even if the truck arrived for service with all parts removed and labels installed. Please also ensure dash look like pictures below.

39. After programming, please ensure the following pop-ups and warning lights appear on dash.



40. Please print two copies of the last page of this document. Leave one copy in the truck for the driver and install the second copy in the owner's manual pouch.

41. Remove wheel chocks.



42. Return truck to service.

### Parts Return

All removed part must be returned to TMAC, to trigger return you must select **Replace** when filing in UCHP. If no parts were removed, you must select **Repair**.

Causal part		
Prefix	Part no.	Description
<input type="text"/>	<input type="text"/>	

Replaced    Repaired

**Important Note**

Whether or not the truck had a radar and bracket or just a bracket all removed parts need to be returned to TMAC.

**REIMBURSEMENT**

This repair is covered by an authorized Non-Compliance recall. Reimbursement is obtained through the normal claim handling process.	
	<b>UCHP Reimbursement</b>
<b>Claim Type</b> (used only when uploading from the Dealer Business System)	40
<b>Recall Status</b>	
Vehicle repaired per instructions	1-Modified per instructions
<b>If only inspection and .par file update was performed</b>	
Main Labor Code Programming:1700-22-03-11	0.3
<b>Labor Codes</b>	
Main Labor Code Programming:1700-22-03-11	0.3
Low Voltage System, Decommission Labor Code: 3100-09-01-06	0.3
Low Voltage System, Commission Labor Code: 3100-09-01-05	0.3
Warning labels install labor code:1720-16-09-01	0.1
<b>Only use if radar or bracket were installed and had to be removed.</b>	
Radar and bracket removal labor code:1720-16-09-01x2	0.2
<b>Causal Part</b>	23792796
<b>Authorization Number</b>	C0294

**Note:** Dealers are to perform this Safety Recall Campaign on all subject vehicles at no charge to the vehicle owner regardless of mileage, age of vehicle or ownership (original purchaser or subsequent purchasers). Whenever vehicles are subject to a Safety Recall are brought to your dealership for service, or taken into your dealership vehicle inventory, it is strongly recommended that every effort be made to perform the recall correction before the vehicle is sold or released to the owner.

Print and install in owner's manual pouch.

## DRIVER INSTRUCTIONS FOR VEHICLE OPERATION WITHOUT VOLVO ACTIVE DRIVER ASSIST (VADA) FRONT RADAR



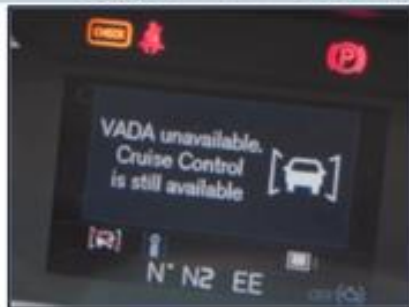
**Features that are available**

- Standard vehicle cruise control
- Lane departure warning
- Vehicle data loggers with a web portal
- Right-hand blind spot detection

**Features that are not available**

- Forward collision warning and collision mitigation
- Adaptive Cruise Control; including active braking
- Traffic sign recognition

The below pop-up messages will appear when ignition is turned on. Press "ok" on toggle switch in steering wheel to acknowledge pop-ups



Yellow check light and Adaptive Cruise Control (ACC) icon with a red diagonal line will remain on



The diagnostics menu in the truck will show 4 active fault codes. If the vehicle has any faults in addition to the 4 active fault codes listed below, please contact Volvo Action Service or your local dealer for service.

VECU-SA 36 DTC U103F87  
ABS-SA11 SPN 639 FMI 2

IC-MID 140 PSID 211 FMI 9  
LCM-MID 216 PSID 211 FMI 9