


# RRC-72-23-002-1: Replace Side Curtain Airbag Fasteners

Rivian has decided that a defect which relates to motor vehicle safety exists in certain model year 2022 and 2023 Rivian R1S vehicles. On these vehicles, one or more of the fasteners that secure the right or left side curtain airbag to the vehicle may be improperly fastened. If the side curtain airbag is not properly secured to the vehicle, the airbag may not perform as intended and increase the risk of injury in certain crash conditions. Pursuant to its recall determination, Rivian will replace all potentially affected fasteners and make sure that they properly secure the airbags.

<b>Document Type</b>	Safety Recall Bulletin
<b>Date</b>	March 16, 2023
<b>Affected Region(s)</b>	USA, Canada
<b>Affected Model(s)</b>	R1S
<b>Model Year(s)</b>	2022 - 2023
<b>Approximate Build Dates</b>	October 2022 - January 2023
 Refer to the FSA Dashboard to determine if this document applies to a specific vehicle.	
<b>Vehicle System</b>	72 - Occupant Protection
<b>Minimum Service Location</b>	Mobile

## Required Parts


Part Number	Quantity	Engineering Name	Service Name/Notes
Refer to the parts catalog for part number and inventory information.	1		Trim Panel, B-Pillar, Upper, LH
Refer to the parts catalog for part number and inventory information.	1		Trim Panel, B-Pillar, Upper, RH
SC00007247-B	6	NUT - M6X1.0 HX WSHR CON NYL CL8 R102C	

**!** **Attention:** The parts listed in this table are only for unique steps that are called out in this bulletin. Some sections of this bulletin might refer to Service Manual procedures which require additional parts. Always review the bulletin and all potentially related Service Manual procedures before ordering parts and beginning work.

## Procedure

1. Remove: Cover, Interior Mirror Mount (refer to service manual procedure 645513010).
2. Remove: Console, Overhead (refer to service manual procedure 644620011).
3. On both sides: Remove: Sun Visor (refer to service manual procedure 646410010).
4. On both sides: Remove: Grab Handle, Front (refer to service manual procedure 644630010).

5. On both sides: Remove: Trim Panel, A-Pillar, Upper (refer to service manual procedure 642810010).
6. On both sides: Remove: Trim Panel, B-Pillar, Upper (refer to service manual procedure 642815010).

 **CAUTION:** Non-reusable component(s).

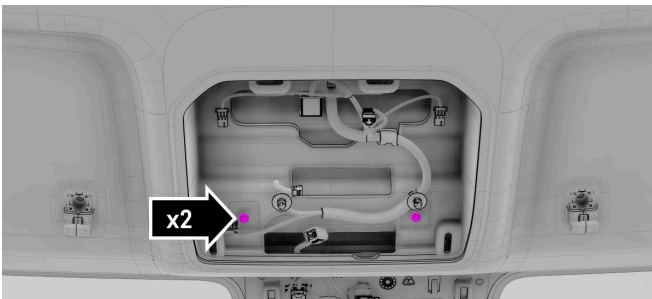
7. On both sides:



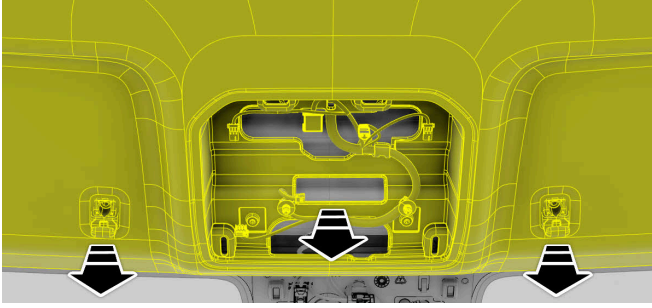
8. On both sides:



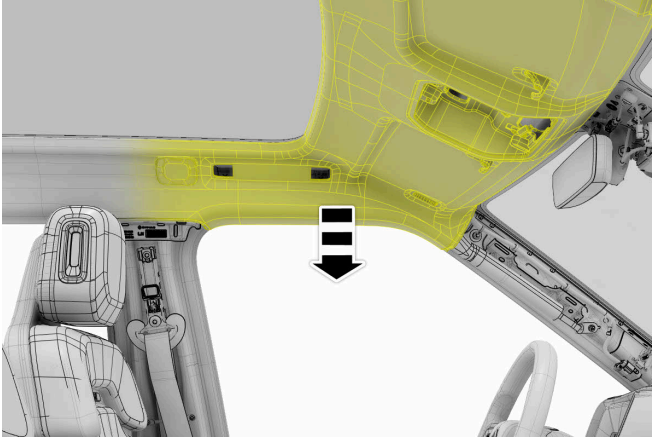
- 9.



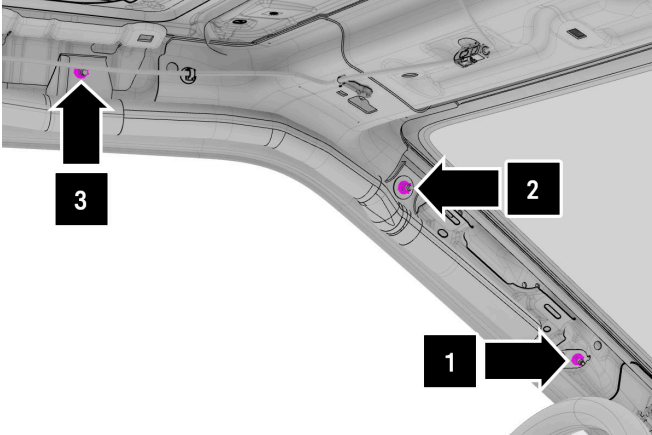
10.



11. On both sides:

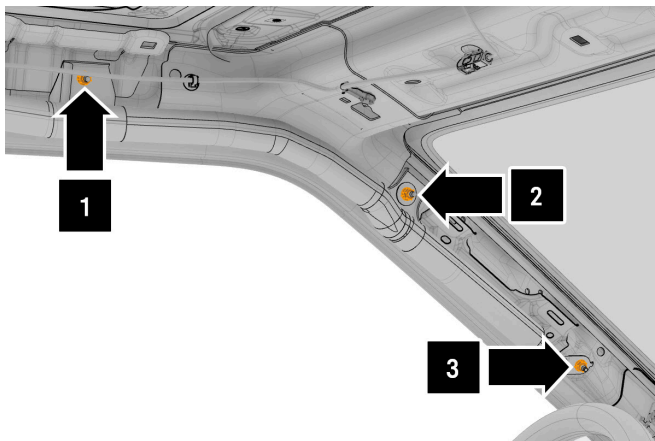


12. On both sides: Remove and discard:



**Note:** Shown with components removed for clarity.

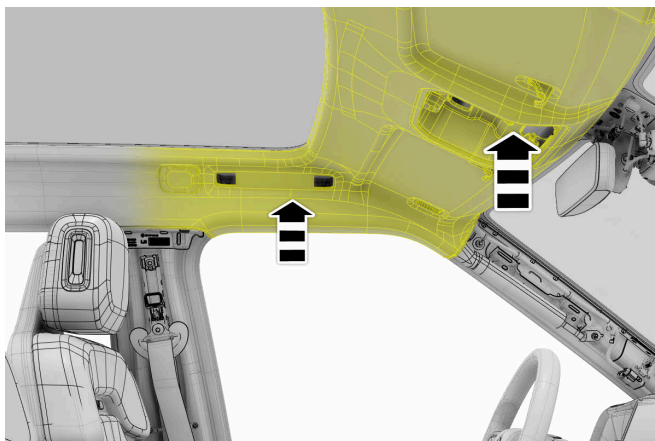
13. On both sides: Install:



 **Important:** Use new fasteners.

 **Note:** Shown with components removed for clarity.

14.



15. Engage the magnets to the body.



16. Reinstall all components that were removed for access and replace all non-reusable components. Refer to the service manual procedures referenced in this document for additional component reusability information and torque specifications.

**Torque specifications in this section**

Step Number	Torque (Nm)
8	3.5
9	2.2
13	7.2

## Labor Codes

Labor Code	Description
RCA722300200	RRC-72-23-002 not applicable
RCA722300201	Replace 3 forward fasteners on LH and RH side curtain airbags
<i>Contact <a href="mailto:ServiceDocumentFeedback@rivian.com">ServiceDocumentFeedback@rivian.com</a> regarding labor codes and document content.</i>	