



# WARRANTY BULLETIN SAFETY CAMPAIGN

Can-Am® On-Road Spyder™

**⚠️ WARNING: All involved customers must be notified, all involved units must be corrected as per instruction herein.**

Campaign no.: 2022-0019

**February 9, 2023** Subject: **Rearview Mirror Lenses May Dislodge - Decreased Visibility** No. **2022-19**

## IMPORTANT

### What should you do?

- Do not sell or deliver any involved vehicle that you have in stock as federal law requires you to complete the recall service on these vehicles before retail delivery.
- Unregistered vehicles cannot be sold until the campaign is performed.
- Contact all of your customers who purchased an affected vehicle and inform them about this Safety Recall notice.

MODEL YEAR	MODEL	ADMISSIBLE UNITS
2022	Spyder F3 and F3-S	Go to BOSSWeb/Warranty/Campaign Monitoring to know the quantity of units in your inventory impacted by this campaign.

### IMPORTANT

- When a vehicle comes in for service, always type the VIN in Knowledge Center to check for pending campaigns or alerts.
- When performing any work on a vehicle, it is good practice to connect it to BUDS2 to ensure that all needed updates are done.



## PROBLEM

The rearview mirror lenses may dislodge from the housing. This can result in an increased risk of a crash due to the decreased visibility for the driver.

## SOLUTION

Replace the mirror housing assemblies.

## REQUIRED PARTS

DESCRIPTION	PART NUMBER	QTY
LH REAR VIEW MIRROR HOUSING ASS'Y (Manufactured after January 10, 2023)	705015049	1
RH REAR VIEW MIRROR HOUSING ASS'Y (Manufactured after January 10, 2023)	705015050	1

**NOTE:** The parts for the repair will gradually be available starting mid-April and will be released progressively, upon availability, to ensure an even distribution across the network.

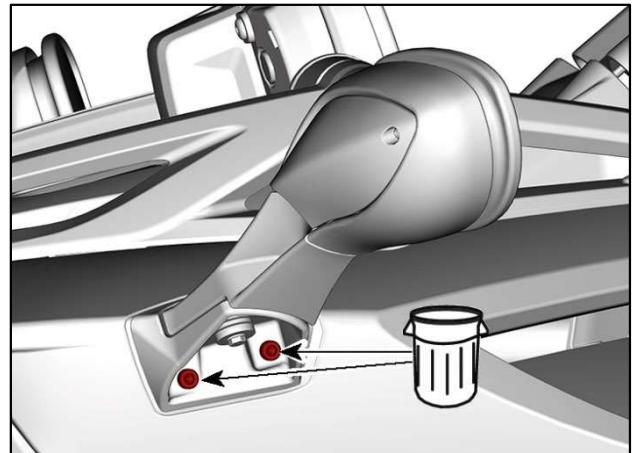
**NOTE:** Your order will be processed despite the message generated by selective release "No Availability Date at the Present Time" on BOSSWeb.

## CORRECTIVE ACTION

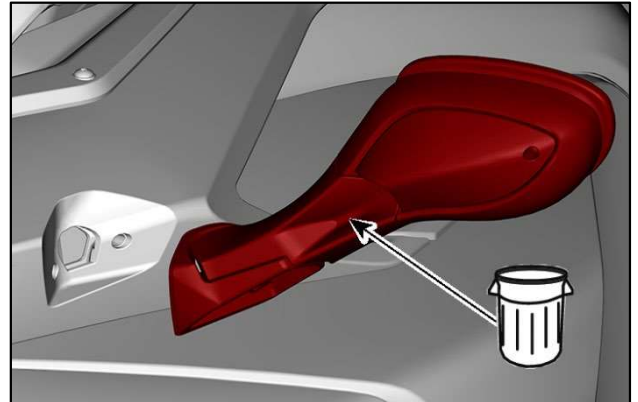
**NOTE:** The procedures are the same for LH and RH mirrors.

### MIRROR HOUSING ASSEMBLY REMOVAL

1. Remove and discard the two housing retaining screws.



2. Discard the mirror housing assemblies.



3. Clean threads on vehicle.

## MIRROR HOUSING ASSEMBLY INSTALLATION

**NOTE:** Before installing a new mirror housing assembly, verify manufacturing date code. If the date code is **before January 10, 2023**, the mirror housing assembly cannot be used and needs to be discarded.

1. Verify date code. Discard if prior to **January 10, 2023**.



EXAMPLE OF A GOOD PART

**705015050 A010102**  
**S/N 06974**  
**23/01/2023 DX**

2. The installation is the reverse of the removal procedure.

TIGHTENING TORQUE	
Mirror Housing Retaining Screw	3.5 N•m ± 0.5 N•m (31 lbf•in ± 4 lbf•in)

# WARRANTY

Submit a warranty claim using the following information.

For claiming procedure, refer to the **online DEALER/DISTRIBUTOR WARRANTY GUIDE**.

## Warranty Claim

### *With BOSSWeb*

Product Line	Roadster
Unit Model Year	2022
Campaign/Bulletin/Description	19 / 2022-19 / MIRROR LENS MAY DISLODGE
<b>*Action</b>	
<b>Inspect</b> <input type="checkbox"/>	<b>Repair</b> <input checked="" type="checkbox"/>
Total Labor time paid	0.3 hour

### *With Warranty On Demand*

CLAIM DETAILS	
Claim Type	Unit Campaign
Serial Number	Enter Serial Number
Warranty Campaign	Select 2022-0019 / MIRROR LENS MAY DISLODGE from drop-down list
Causal Part	705015049 or 705015050
Date of Repair	Repair date
Total Labor Time Paid	0.3 hour

# INVENTORY VERIFICATION

**NOTE:** Verify inventory and include a picture of the manufacturing date code label.

Submit a warranty claim using the following information.

For claiming procedure, refer to the **online DEALER/DISTRIBUTOR WARRANTY GUIDE.**

## Parts Claim

### With BOSSWeb

CLAIM DETAILS	FROM INVENTORY
Repair Order Number	Enter repair order number
Product Line	On-Road
Authorization Number	-
Part Type	From inventory
Serial Number	-
Purchase Date	-
Accessory Failure Date	Today's date
Repair Completion Date	Today's date
Nature of Defect	Mirror Housing Assembly Disposal
Trouble Part Number	705015049 or 705015050
System Code	11
Job Number (The job number only becomes available when Dealer Installed is selected)	00
Trouble Code	X30
Part Required for Repair	705015049 or 705015050
Labor Only	-
Expiration Date	-

### With Warranty On Demand

CLAIM DETAILS	FROM INVENTORY
Claim Type	Select Part from drop-down
Part Number	705015049 or 705015050
Installation Indicator	Over the counter
Date of Purchase	Today's date
Work Order Creation Date	Today's date
Date of Repair	Today's date
Causal Part	705015049 or 705015050
Product Line	Select from drop-down
System Code	11
Symptom Comments	Enter Bulletin Number
Defect Comments	Enter Bulletin Number
Remedy Comments	Enter Bulletin Number