



PJ Trailers Manufacturing, Inc.
1807 FM 2352
Sumner, TX 75486
903-785-6879
recall@pjtrailers.com

IMPORTANT SAFETY RECALL

Date: May 19, 2023

To: [REDACTED]

Subject: Safety Recall Campaign - 23V-319

Involving: 2022, 2023, and 2024 PJ Trailers Manufacturing, Inc's Models LD, LY, LX, LS, CC, DD, TJ, TS

PJ Trailers Manufacturing, Inc. has decided that a defect which relates to motor vehicle safety exists in the certain 2022, 2023, and 2024 PJ Trailers, bearing model numbers LD, LY, LX, LS, CC, DD, TJ, and TS. It has been determined that the Demco inner assembly, part number 6390, may have the potential for the mounting bolts to become un-torqued and the coupler could separate from the inner tube. Separation of the coupler from the inner tube may cause property damage and/or personal injuries.

Owners will be notified by mail about the recall and will be instructed to contact PJ Trailers Manufacturing, Inc. to schedule the required repair. There is no cost to owners for this recall. **Dealer should immediately notify PJ Trailers of the name and address of each person or entity to whom the Dealer has sold or delivered one of the affected trailers.**

Important: Some of the involved trailers may still be in your inventory. Enclosed as Attachment 1 is a listing of the affected trailers identified by VIN that our records indicate were shipped to you. Please verify purchaser information for each trailer and provide that information to PJ Trailers Manufacturing, Inc. as soon as possible. The requested information should be directed to PJ Trailers Manufacturing, Inc., ATTN: Warranty, via mail to 1807 FM 2352, Sumner, Texas 75486; via fax to (903) 785-6898, or via email to recall@pjtrailers.com. Federal law requires you to complete the recall service on those trailers still in your inventory before retail delivery.

Inspect and replace, as needed, the inner assembly coupler on affected trailers as they are brought into your dealership. Contact PJ Trailers' warranty team should you have any questions regarding the repair at recall@pjtrailers.com or toll free at (888) 330-8106. Replacement parts will be shipped to you via the warranty team's claim process.

Instructions regarding the replacement of the inner assembly of the coupler are outlined in the attached Service Alert Bulletin.



PJ Trailers Manufacturing, Inc.
1807 FM 2352
Sumner, TX 75486
903-785-6879
recall@pjtrailers.com

You are being provided with a Replacement Confirmation Form, which you are requested to complete for each coupler inspection, and replacement where necessary, that you complete. Upon completion of the necessary replacements, you are required to return the completed Replacement Confirmation Form to PJ Trailers Manufacturing, Inc., via facsimile to (903) 786-6898 or via email to recall@pjtrailers.com, and upon receipt of the completed Repair Confirmation Form to PJ Trailers, you will be reimbursed for the repairs performed. PJ Trailers estimates it will take approximately 15 minutes to complete the inspection, and 15 minutes, total 30 minutes, to complete the necessary replacement(s) depending on the inspection noted in the Service Alert Bulletin. Contact PJ Trailers Manufacturing, Inc. for disposition of the removed couplers.. Additionally, the expected reimbursement rate is \$22.50 per 15 minutes or \$45.00 total if inspection and repair are performed.

Please be reminded that it is a violation of Federal law for you to sell or lease any of the affected trailers covered by this notification until this recall has been performed on the affected trailer. Substantial civil penalties apply to violations of this law.

If you have questions concerning this recall, please contact the PJ Warranty Team at recall@pjtrailers.com or toll free at **(888) 330-8106**.

Your immediate assistance in this important effort is appreciated.

PJ Trailers Manufacturing, Inc.

Encl: Attachment 1 - List of Affected Trailers Shipped to you.
Service Alert Bulletin
Repair Confirmation Form

GOOSENECK REPLACEMENT

Instructions to identify and replace affected gooseneck units

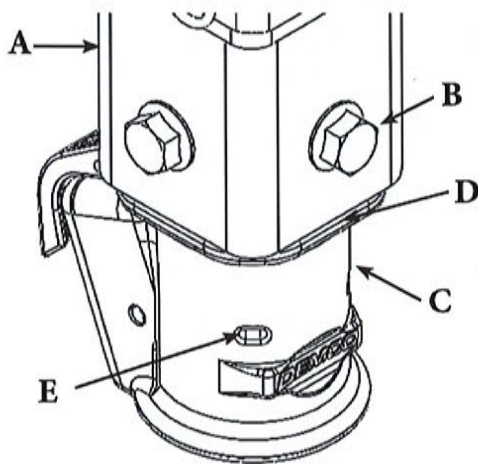
TOOLS NEEDED:

- 3/4 wrench
- 1-1/8 wrench
- pliers
- torque wrench
- 1-1/8 socket

IDENTIFICATION OF DEFECTIVE UNITS (A)

MUST CONTAIN ALL THE FOLLOWING:

- 1) will have 4 bolts (B) near coupler (C)
- 2) an unwelded seam (D)
- 3) drain holes towards front of coupler (E)

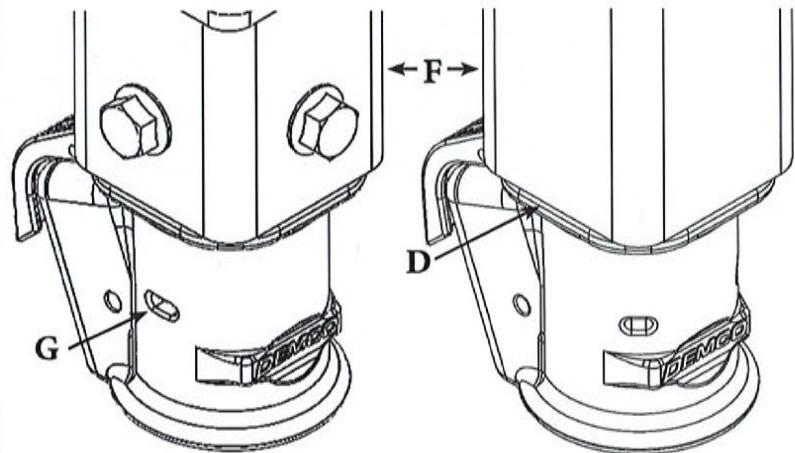


Defective

IDENTIFICATION OF UNAFFECTED UNITS (F)

MUST HAVE AT LEAST ONE OF THE FOLLOWING:

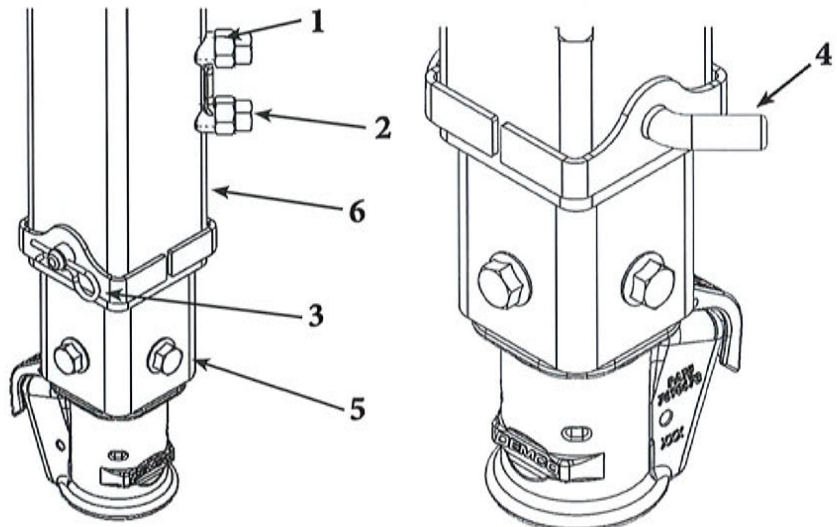
- 1) will have a welded seam (D)
- 2) drain holes directly at the sides of the coupler (G)



Unaffected

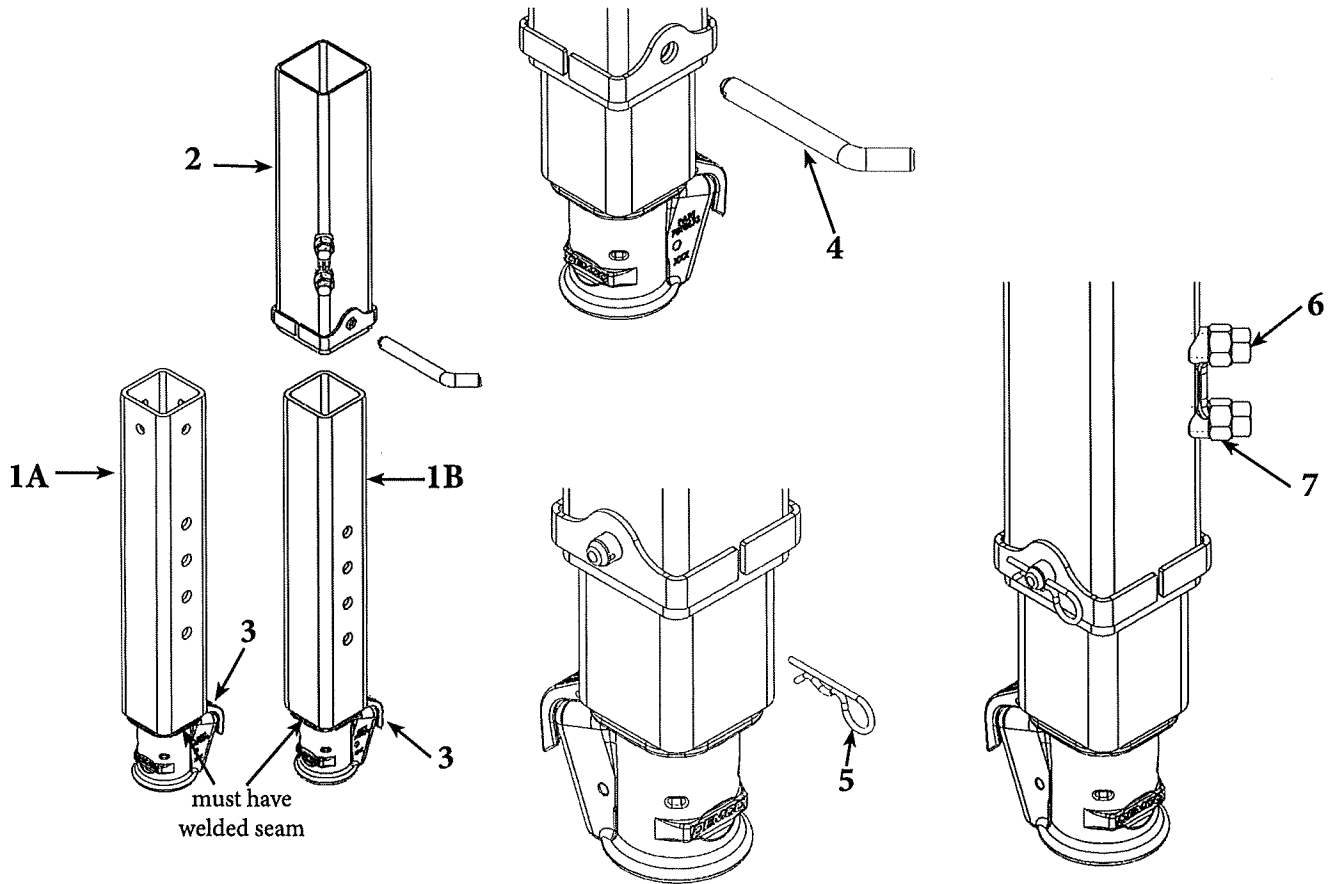
REMOVAL OF INNER TUBE

- 1) loosen the tension nuts (1)
- 2) loosen the tension bolts (2)
- 3) remove the cotter pin (3)
- 4) support the bottom of the coupler and remove the adjustment pin (4)
- 5) once pin is out, carefully slide the inner tube (5), out of outer tube (6)



REPLACEMENT OF INNER TUBE

- 1) insert new inner tube (1A or 1B), into outer tube (2), ensuring the handle (3) is facing rear of trailer
- 2) once the inner adjustment hole is at the desired location, insert adjustment pin (4)
- 3) insert cotter pin (5)
- 4) tighten the tension bolts (6) to 225 ft-lbs. torque
- 5) tighten the tension nuts (7) firmly



INSPECTION

Recheck torque on tension bolts after 100 miles

DEMCO

SAFETY RECALL NO. 23V-319

2021 PJ Trailers Model LD, LY, LX, LS, CC, DD, TJ, TS Trailers

**Inspection and/or Replacement of inner assembly of the Demco EZ Latch
Gooseneck Coupler**

Upon completion of the inspection and/or replacement of the inner assembly of the Demco EZ Latch Gooseneck Coupler, you must return this form to the address below by (903) 785-6898, or via email to recall@pjtrailers.com or by mail to:

PJ Trailers Manufacturing, Inc.
ATTN: Recall Office
1807 FM 2352
Sumner, Texas 75486

Please include the following information:

VIN: _____
Date Repair Completed: _____

Name, address and telephone number of person bringing trailer in for repair:

Name: _____
Address: _____
City: _____
State and Zip Code: _____
Telephone Number: _____

Name, address and telephone number of new owner of trailer (if known):

Name: _____
Address: _____
City: _____
State and Zip Code: _____
Telephone Number: _____

Confirmation Services

Package ID: 9489009000
Destination ZIP Code: 82
Customer Reference:
Recipient:
Address:

Electronic Return Receipt
First Class Letter
Account #: 33748297
Serial #: 0390134
MAY 31 2023 1:08 PM



1807 FM 2352
Sumner, TX
75486

PLACE STICKER AT TOP OF ENVELOPE TO THE RIGHT
OF THE RETURN ADDRESS. FOLD AT DOTTED LINE.
UNITED STATES POSTAL SERVICE
CERTIFIED MAIL

IMPORTANT SAFETY RECALL INFORMATION

Issued in Accordance
With Federal Law



850
2023