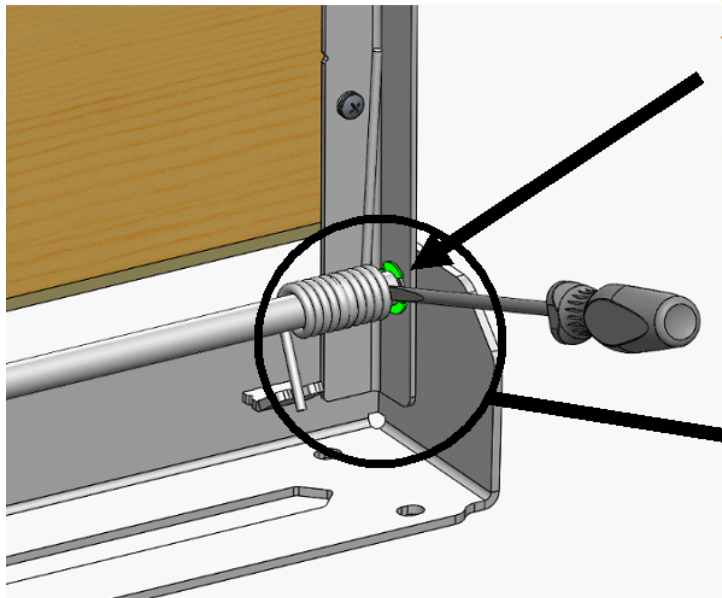


Product Service Bulletin: *Flip Cushion Retaining Ring*

Introduction

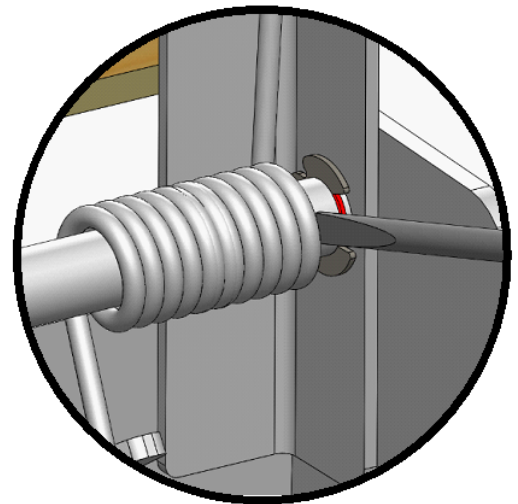
Some Flip Cushions (Seats Part Number 188599) may have Retaining Rings that are missing or not fully seated on the bar. Below are instructions on how to identify this condition followed by instructions for correcting the issue.

Identification of Condition



Correct Condition: Retaining Ring is present and freely rotates on shaft.

Incorrect Condition: Retaining Ring is missing or is present and does not freely rotate on shaft.



To verify if the Retaining Ring rotates freely on the shaft, the pressure from the spring on the Retaining Ring has to be relieved. Wedging a flat-headed screwdriver between the spring and the side of the seat is a good way to go about this. With one hand relieving spring pressure, try to rotate the Retaining Ring with the other hand.

Repair Procedure

If your Retaining Ring is not fully seated, simply push it the rest of way on until it is fully seated. This can easily be done with any hard, flat tool. (*Examples: Needle-nose pliers, flat-headed screwdriver, etc.*) If your Retaining Ring is missing, ensure that the pivot rod slot is between the spring and the side of the seat by sliding the pivot rod as needed. Retrieve your new Retaining Ring and place it in the pivot rod slot nearest the spring as shown in above images.

Your repair is now complete.