

SAFETY RECALL

SR23-82

Date	Expiration	Group	No.	Page
01.2023	NA	3		1(6)

First Release INFORMATION REDACTED PURSUANT TO THE FREEDOM OF INFORMATION ACT (FOIA), 5 U.S.C.552(B)(6) 01-29-2023

BAD GPS CONNECTION AT THE VECU CONTROL UNIT
9700 (B13R)

MODEL YEAR(S) AND VEHICLE SERIAL NUMBERS (VIN) INVOLVED

NOTICE TO SERVICE CENTERS	
Verify vehicle eligibility by checking recall status with SAP or via ONLINE WARRANTY SYSTEM available on Service / Warranty tab of Prevest website.	
Model	VIN
Volvo 9700 us/can Model Year : 2022	From 3CET2W423N5 [REDACTED] up to 3CET2W429N5 [REDACTED] incl.
This recall does not necessarily apply to all the above-mentioned vehicles, some vehicles may have been modified before delivery. The owners of the vehicles affected by this recall will be advised by a letter indicating the Vehicle Identification Number (VIN) of each vehicle concerned.	

DESCRIPTION

On the vehicles affected by this recall, certain wires of the GPS device were connected to the incorrect circuits. The incorrect electrical installation of the device may cause an accelerator pedal sensor malfunction. In this event, the vehicle could experience an unexpected intermittent or complete loss of motive power.

MATERIAL

Kit #SR2382 includes the following parts:

Part No.	Description	Qty
564063	TERM AMP MCP 2.8 PIN 20-18AWG	1
9187040	CABLE TERMINAL	1
564629	TERM AMP MCP 2.8 SOCKET 20-18AWG	1
562587	WIRE, 18 AWG, TXL, BLK, 125 DEG	7
560784	SHRINK .250po .125po BLK -55C, +135C D/W	1
562935	BUTT-SPLICE,22-18,INS	1

Equipment required:

SAFETY RECALL

SR23-82

Date Expiration Group No. Page
01.2023 NA 3 2(6)

Part No.	Description	Qty
N/A	Laptop with PTT (Premium TechTool, latest version installed) & related cables.	1
88894000	COMMUNICATION UNIT / VOCOM	1
88890304	CABLE / VOLVO TOOL > SS 88890253	1
88890305	CABLE / VOLVO TOOL	1
88890037	KIT EXTRACTOR / VOLVO TOOL	1

Conversion kit required:

Part No.	Description	Qty
24336420	CONVERSION KIT, RSL INHIBIT ACCELERATION, (SOFTWARE).	1

PROCEDURE



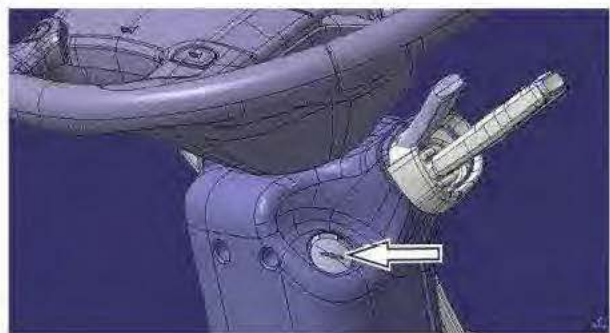
DANGER

Park vehicle safely, apply parking brake, stop the engine. In the battery box, set the battery cut-off switch to the OFF position prior to working on the vehicle.

Lockout & Tag out (LOTO) must be performed during set-up, maintenance or repair activities. Refer to your local procedure for detailed information regarding the control of hazardous energy.

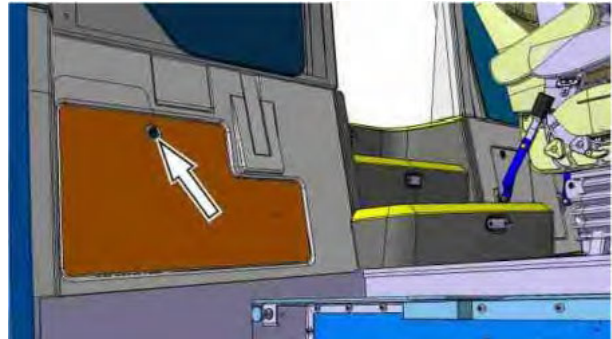
1. Turn OFF the vehicle

- Turn OFF the vehicle electrical system, by turning the ignition switch to the OFF position.



2. Open the body electrical center compartment.

- Open the vehicle electrical center compartment located at the left side of the entrance door steps.



3. Remove the GPS component digital signal connection.

- The bad digital signal connection of the GPS is located between VECU (A17) and the throttle position sensor (B25), therefore; look for spliced GPS wires near the IB9 connector of the power distribution center in the vehicle electrical center compartment.



NOTE

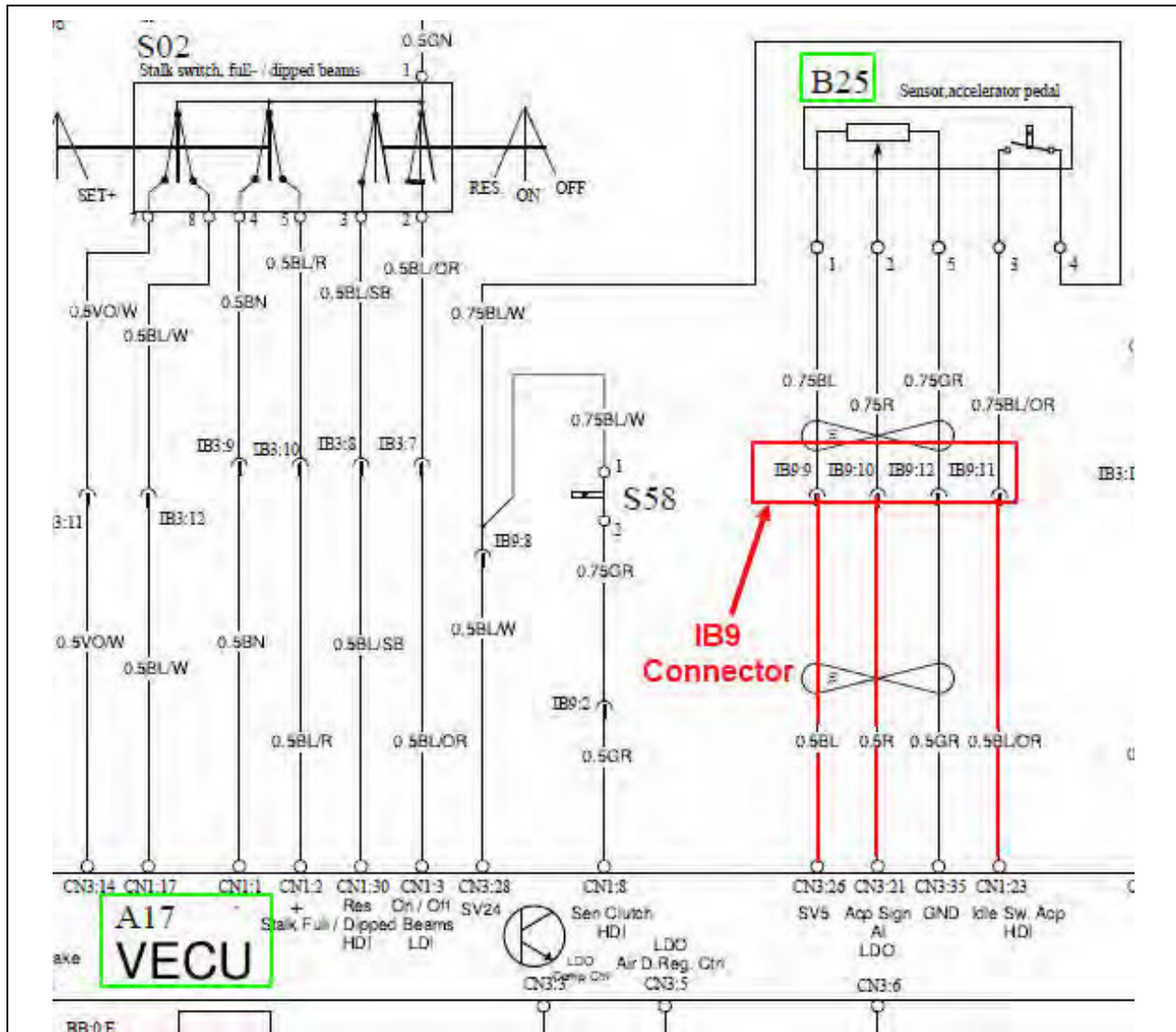
The digital signal of the GPS can be spliced to the wires located at PIN9, 10 or 11 of the IB9 connector as seen below.

- Once the GPS digital signal is located, remove it from the IB9 connector corresponding wire. This wire of the IB9 connector must be repaired to ensure proper "interference free" signal so the throttle response is back to normal operation. This will also resolve the VECU communication problem with the CAN network.
- Repair the wire using supplied butt splice connector and shrink tubing (solder the connection).

NOTE

Do not remove or modify other GPS connections. The problem only exist at the digital signal connection.





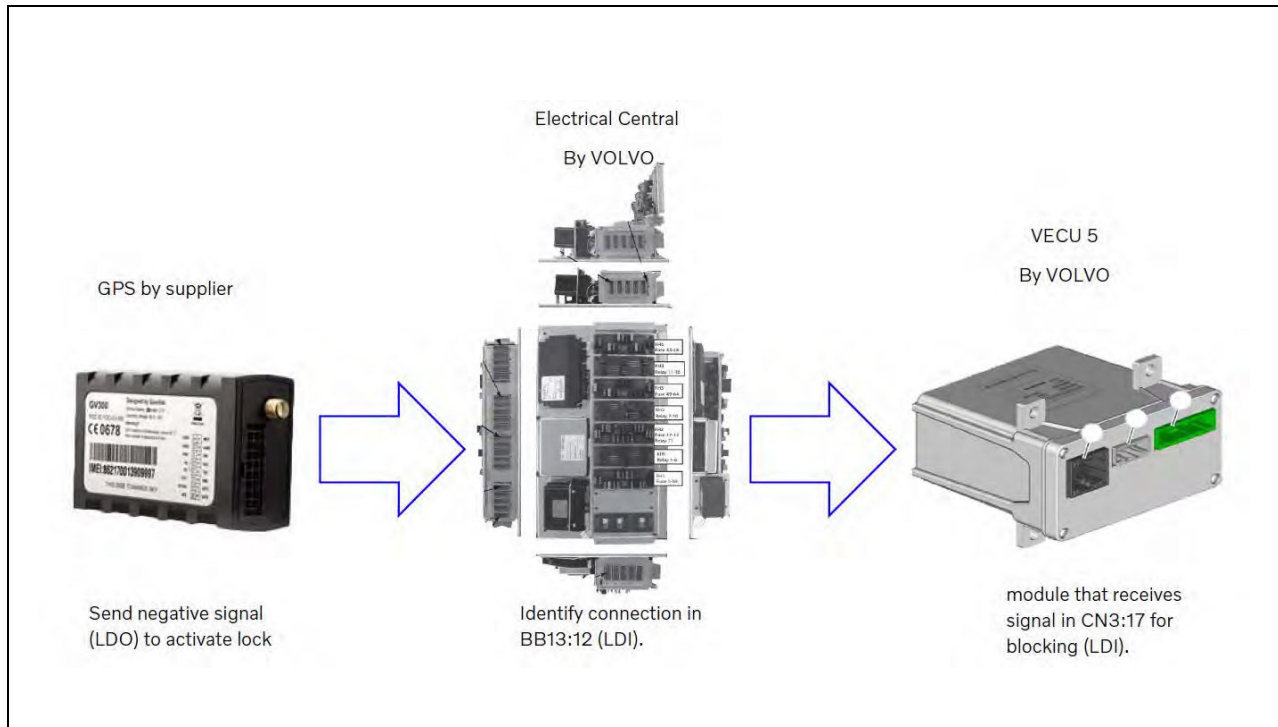
REF BA WIRING DIAGRAM

4. Connect the GPS negative signal to the VECU.

- The GPS must send a negative LDI signal(-) from the power distribution center located in the vehicle electrical center compartment to the VECU vehicle control module.
- To send the correct GPS signal, the GPS signal wire must be connected to PIN12 of the power distribution center BB13 connector (BB13:12). This connection will send the signal to PIN17 of the VECU control module CN3 connector (CN3:17 see wiring diag. BA).

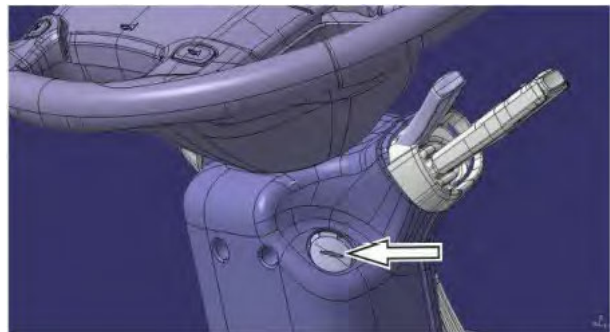
NOTE

Connect the GPS negative signal wire to the power distribution center using supplied wire and terminals (use shrink tubing and solder the terminals)



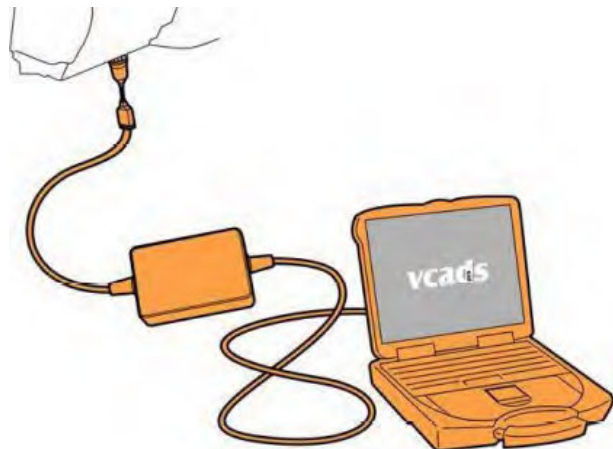
5. Turn ON the vehicle.

- Turn ON the vehicle electrical system, by turning the ignition switch to the ON position.



6. VECU control module programming.

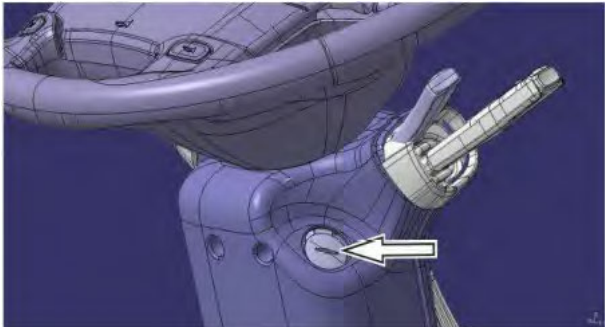
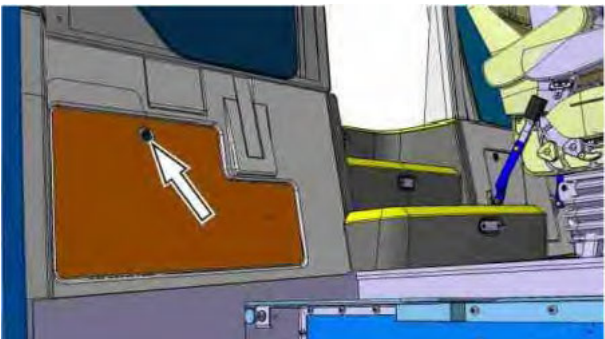
- Using TechTool, VOCOM and related cables, apply the software conversion kit PN: 24336420 to enable the acceleration limiting function.



SAFETY RECALL

SR23-82

Date	Expiration	Group	No.	Page
01.2023	NA	3		6(6)

<p>7. Check proper operation.</p> <ul style="list-style-type: none">• Check proper operation of the vehicle throttle and the engine starting.	
<p>8. Turn OFF the vehicle.</p> <ul style="list-style-type: none">• Turn OFF the vehicle electrical system, by turning the ignition switch to the OFF position.	
<p>9. Close the body electrical center compartment.</p> <ul style="list-style-type: none">• Close the vehicle electrical center compartment located at the left side of the entrance door steps.	

WARRANTY

This modification is covered by Prevo's normal warranty. We will reimburse you the parts and 1 1/2 hour (1.5) of labor upon receipt of a completed A.F.A. Please submit claim via our Online Warranty System, available at www.prevo.com (under Service \ Warranty section). Use Claim Type: "Bulletin/Recall" and select "Safety Recall SR23-82".

OTHER

VBC Bulletin	C0284
Fail Code	06.15
Defect Code	09
Syst.Cond.	R
Causal Part	7770029

Access all our Service Bulletins on <http://prevostparts.volvo.com/technicalpublications/en/pub.asp> or scan the QR-Code with your smart phone.

E-mail us at technicalpublications_prev@volvo.com and type "ADD" in the subject to receive our warranty bulletins by e-mail.



Prevo engages in a continuous program of testing and evaluating to provide the best possible product. Volvo Bus, however, is not committed to, or liable for updating existing products.