

## Equipment Recall

## ER22-14

---

Date	Expiration	Page
03.2022	N/A	1(3)

First Release .

### ENTERTAINER BUSINESS – SEAT BRACKET

#### DESCRIPTION

Equipment Recall.

NHTSA Recall #22E-004

**Applicable vehicles: NONE**

Date	Expiration	Page
03.2022	N/A	2(3)

defective seat bracket kits to be replaced		new replacement kits	
kit 860351	seat bracket asm, position 1	kit 868187	seat bracket asm, position 1
kit 860355	seat bracket asm, position 3a	kit 868188	seat bracket asm, position 3a

## DEFECTIVE BRACKETS

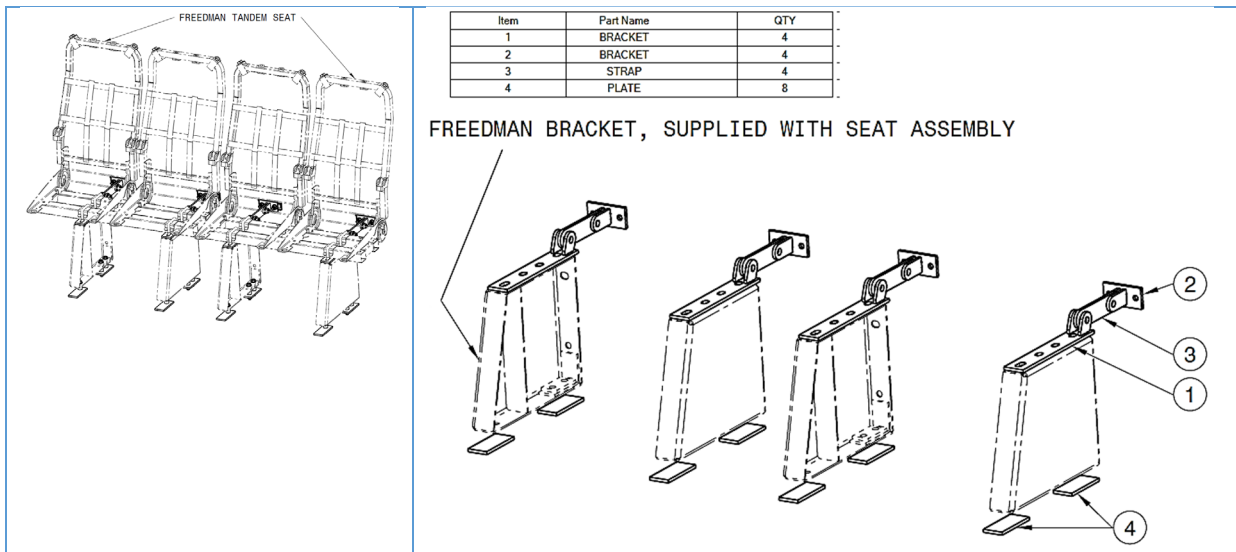


FIGURE 1: KIT 860351 BRACKET POSITION 1 (4 seats)

Date  
03.2022

Expiration  
N/A

Page  
3(3)

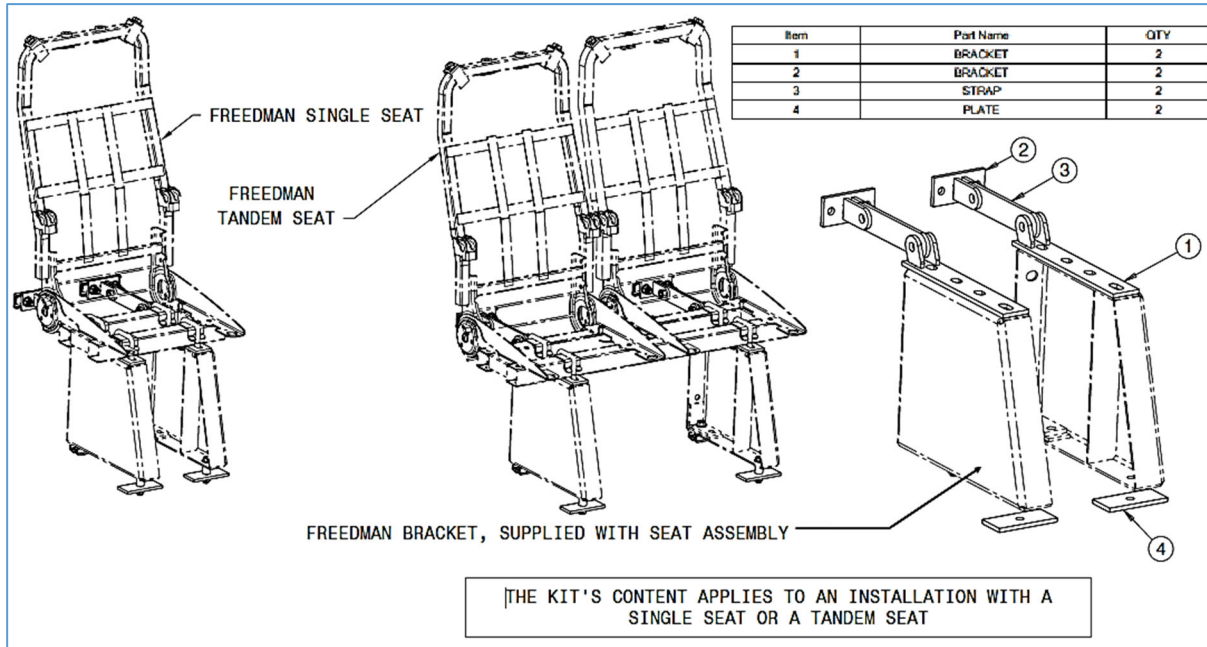


FIGURE 2: Kit 860355 BRACKETS POSITION 3A (1 or 2 seats)

## HOW TO IDENTIFY DEFECTIVE BRACKETS

The defective brackets are missing 1/4 fillet weld beads as shown on the images below.

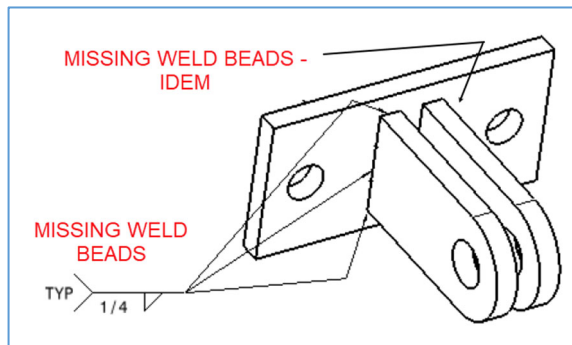


Figure 3: item 2

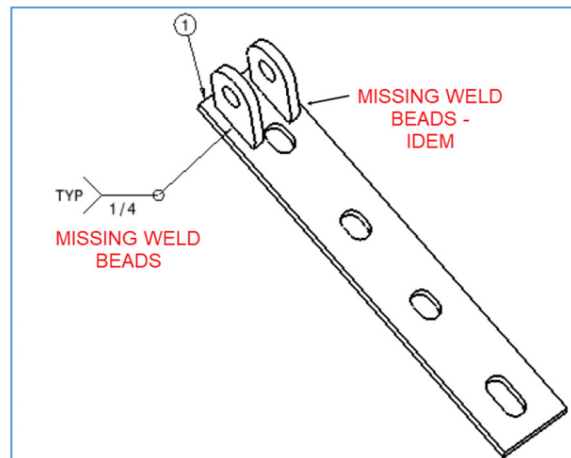


Figure 4: item 1