

# Product Safety Recall

## N222383791 Seatbelt Pretensioner Fire



Release Date: April 2023

Revision: 00

**Attention:** It is a violation of Federal law for a dealer to deliver a new motor vehicle or any new or used item of motor vehicle equipment (including a tire) covered by this notification under a sale or lease until the defect or noncompliance is remedied.

Vehicles involved in this recall were placed on stop delivery December 15, 2022. Once the service procedure contained in this bulletin has been performed on the vehicle, the vehicle is released from stop delivery and the vehicle can be delivered to the customer.

All involved vehicles that are in dealer inventory must be held and not delivered to customers, dealer traded, or used for demonstration purposes until the repair contained in this bulletin has been performed on the vehicle.

This recall must only be completed by Chevrolet EV certified dealers who have met all Bolt recall-specific training, tool and equipment requirements, and repairs must be performed by a technician who has successfully completed the required training.

For Canadian Dealers: Only Chevrolet Dealers who have signed the Chevrolet Electric Models Agreement and have met all the Chevrolet Bolt EV-specific training, tools, and equipment requirements are eligible to complete the repair. Any Dealer unsure of their eligibility status should immediately review with their District Service Manager.

Make	Model	Model Year		RPO	Description
		From	To		
Chevrolet	Bolt EV	2017	2020		

Involved vehicles are marked “Open” on the Investigate Vehicle History screen in GM Global Warranty Management system. This site should always be checked to confirm vehicle involvement prior to beginning any required inspections and/or repairs.

<b>Condition</b>	General Motors has decided that a defect which relates to motor vehicle safety exists in certain 2017 – 2020 model year Chevrolet Bolt EV vehicles. In certain crashes that cause the front seatbelt pretensioners to deploy, the exhaust from the deployed pretensioner may ignite fibers in the floor carpet near the B-pillar. Following a crash that causes the seatbelt pretensioner to deploy, a fire may develop in the area near the B-pillar, which may increase the risk of injury.
<b>Correction</b>	Dealers will install metal foil at the carpet near the pretensioner exhaust. Certain vehicles will also need a pretensioner cover installed.

### Parts

Quantity	Part Name	Part No.
1	Pretensioner Cover Kit (includes both covers and zip ties)	42864662

**Reminder:** Parts may be removed from Retail Inventory Management (RIM). Dealers should review the affected parts to confirm RIM managed status. Parts may have quantity limiters in effect.

### Warranty Information

Labor Operation	Description	Labor Time	Trans. Type	Net Item
9106596	Install Foil Tape and Covers	1.2	ZFAT	*
9106598	Working Capital Assistance Program Reimbursement – USED INVENTORY ONLY	N/A	ZFAT	**

Note: To avoid having to “H” route the WCAP transaction for approval, it must be submitted prior to the repair transaction.

\* The amount identified in “Net Item” should represent the actual sum total of the current GMCCA Dealer net price for 2.5” X 4.0 Mil aluminum foil tape meeting UL Spec 181A-P needed to perform the required repairs, not to exceed \$2.00 USD, \$6.88 CAD, plus applicable Mark-Up or Landed Cost (for Export). This is a locally sourced supply, do not order from GMCCA.

### Working Capital Assistance Program (WCAP) Reimbursement – USED INVENTORY ONLY

**Note: USA & Canada Only** - To avoid having to “H” route the WCAP transaction for approval, it must be submitted prior to the repair transaction.

# Product Safety Recall

## N222383791 Seatbelt Pretensioner Fire



**Important: The WCAP ZSET transaction labor code, 9800101, provided in the dealer message sent on January 3, 2023, must have been submitted prior to the submittal of the ZFAT transaction labor code or the claim will reject.**

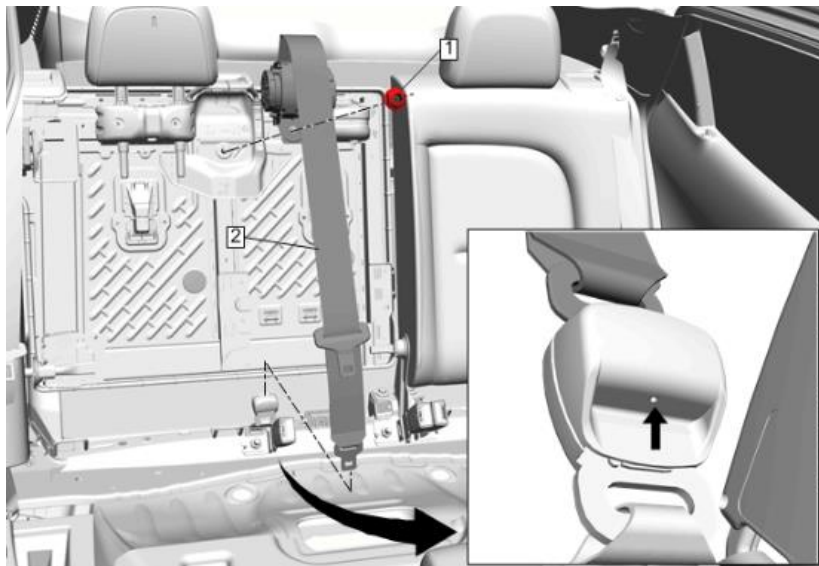
\*\* **USA & Canada Dealers Only** - For vehicles eligible under the Working Capital Assistance Program, the amount should be submitted in Net Item/Miscellaneous. This amount has been calculated to a daily value for the days that the vehicle was in used dealer inventory and not available for sale. This reimbursement is limited to the number of days from the date of the stop sale/stop delivery order (December 15, 2022) to the date the inspection or repair closed the recall bulletin. (not to exceed 115 days).

Vehicle	Working Capital Assistance Program Reimbursement Amount	
	USA	Canada
2017 Chevrolet Bolt EV	\$6.26	\$12.71
2018 Chevrolet Bolt EV	\$7.33	\$13.48
2019 Chevrolet Bolt EV	\$8.30	\$14.98
2020 Chevrolet Bolt EV	\$9.18	\$15.10

### Service Procedure

**Important:** The following procedure requires the use of 2.5" X 4.0 Mil aluminum foil tape meeting UL Spec 181A-P. 3-M PN #3340 and Nashua #324A meet this specification. One of these products, or an equivalent must be used in this procedure. The equivalent material must meet the following specifications:

- Base Material: Aluminum Foil Tape
- Foil Thickness: 2 Mil thick foil (total tape thickness including adhesive will be approximately 3.4-4.5 Mil)
- Adhesive Type: Acrylic
- Temperature working range: -25°C to 125°C (-13°F to 257°F)
- Backing: Liner Backing Preferred for installation (Not required, should be discarded)

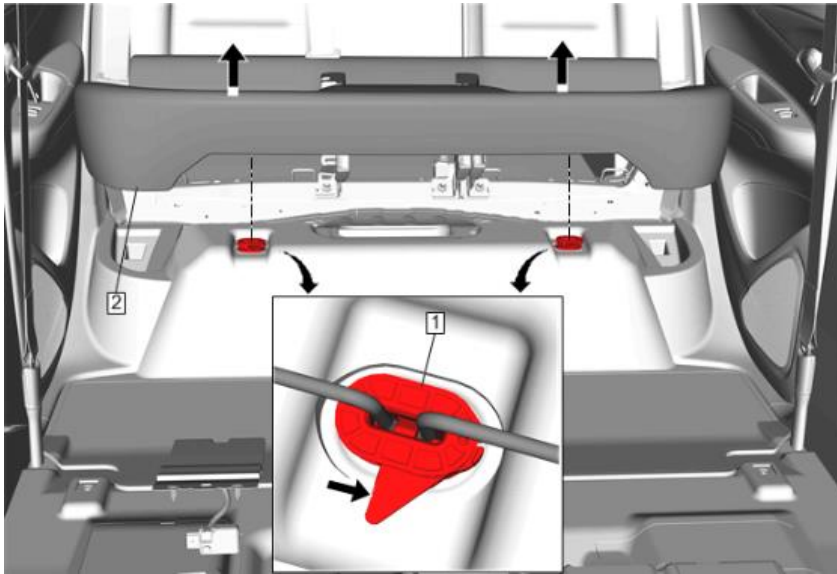


4585993

1. Push the pin in the slot on the mini-buckle to disengage the rear center seat belt retractor from the rear center seat belt buckle.

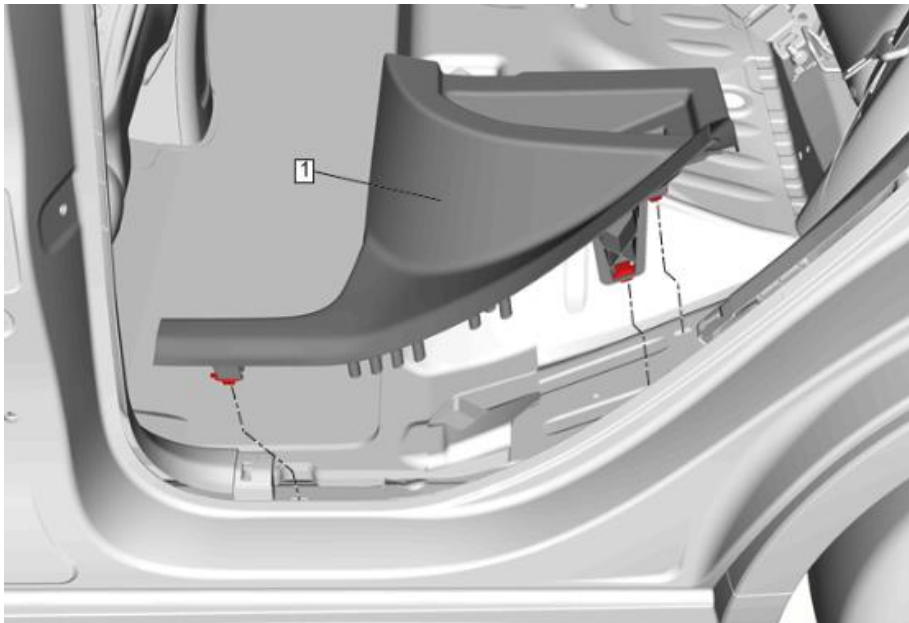
# Product Safety Recall

## N222383791 Seatbelt Pretensioner Fire



4537958

2. Release the 2 cushion clip tabs (1).
3. If equipped, disconnect the electrical connectors.
4. Pull up on the front of the Rear Seat Cushion (2) and lift out of the vehicle.



4552179

5. Starting at the front of the Rear Side Door Sill Garnish Molding (1), pull upward at the B-Pillar Joint to disengage the Rear Side Door Sill Garnish Molding (1) on both sides of the vehicle.
6. Work your way rearward disengaging all of the Rear Side Door Sill Garnish Molding clips then pull forward to disengage from the C-pillar lower on both sides of the vehicle.
7. Remove the Rear Side Door Sill Garnish Molding (1) on both sides of the vehicle.

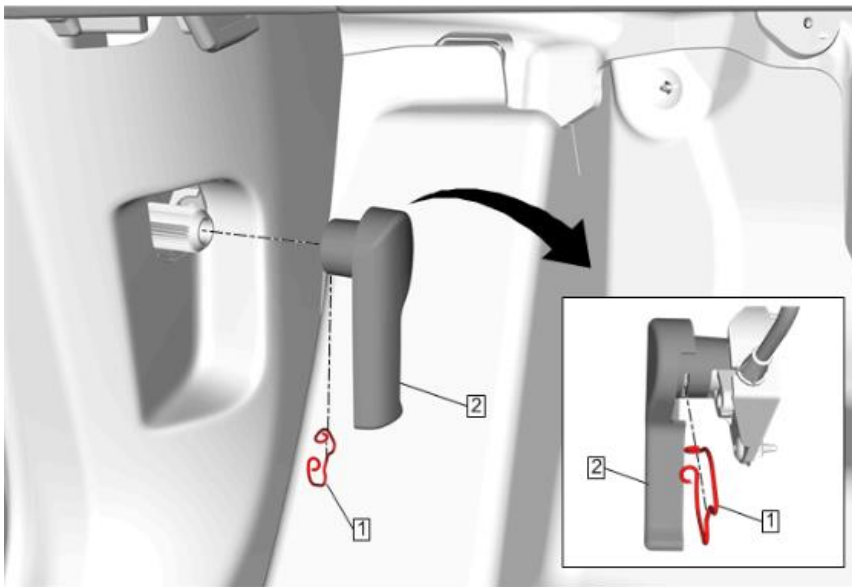
# Product Safety Recall

## N222383791 Seatbelt Pretensioner Fire



4540195

8. Using a flat bladed plastic trim tool, remove the Instrument Panel Outer Trim Cover – Left Side (1).
9. Using a flat bladed plastic trim tool, remove the Instrument Panel Outer Trim Cover – Right Side (2).

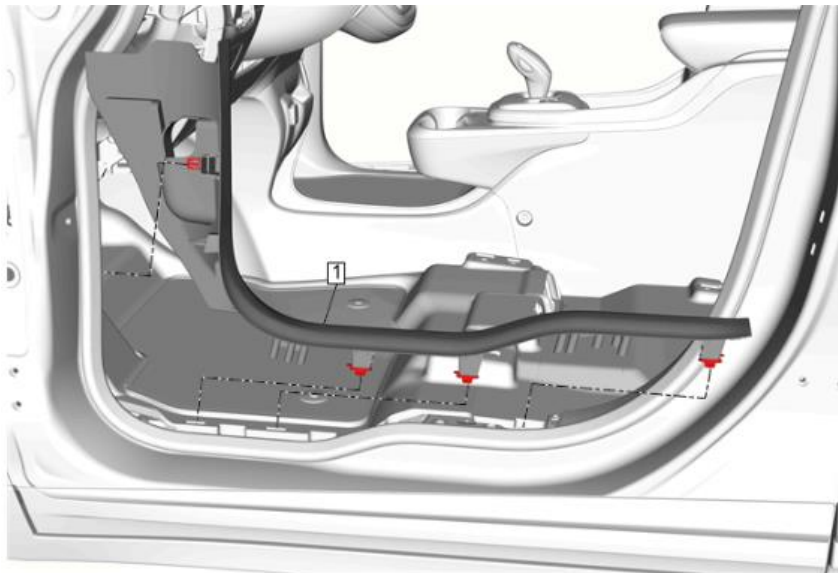


4532557

10. Pull down on the clip (1) to remove from the Hood Primary Latch Release Cable Handle (2).
11. Remove the Hood Primary Latch Release Cable Handle (2).

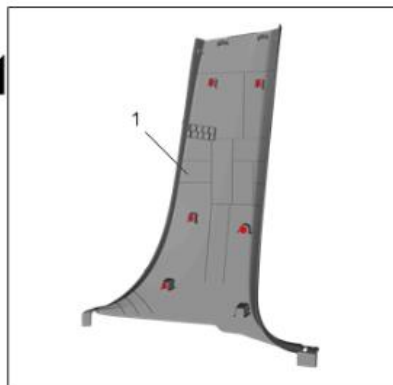
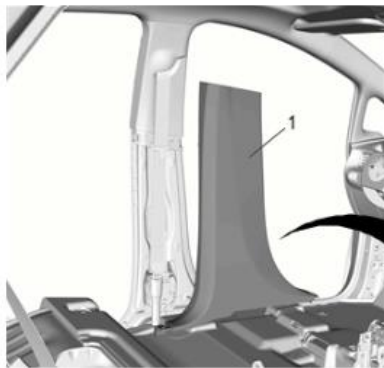
# Product Safety Recall

## N222383791 Seatbelt Pretensioner Fire



4552175

12. Starting at the rear of the Front Side Door Sill Garnish Molding (1), pull upward at the B-Pillar joint to disengage on both sides of the vehicle.
13. Work your way forward disengaging all of the Front Side Door Sill Garnish Molding clips then pull rearward to disengage the clip on the forward vertical wall.
14. Remove the Front Side Door Sill Garnish Moldings (1) on both sides of the vehicle.
15. Move both front seats to the full forward position.



4552180

16. Pull the Center Pillar Lower Trim Panel (1) inward and upward to disengage the retainers on both sides of the vehicle.
17. Remove the Center Pillar Lower Trim Panel (1) on both sides of the vehicle.

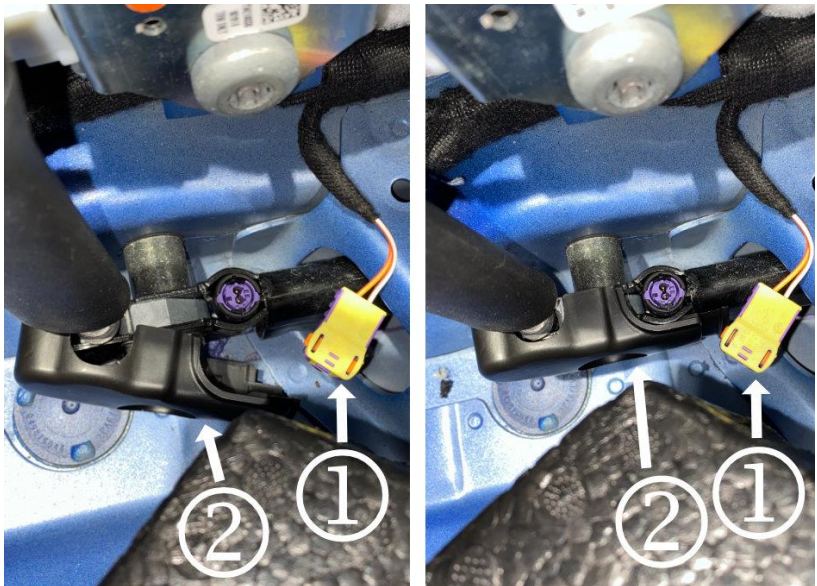
# Product Safety Recall

## N222383791 Seatbelt Pretensioner Fire



6218989

18. Pull the carpet back around the seat belt pretensioner to expose the insulation on the passenger's side of the vehicle.
19. Cut the insulation to be the same dimension as the existing hole for the cable (25 mm, 1 inch) as shown above.



6224055

20. Disconnect the electrical connector (1) from the seat belt pre tensioner.
21. Install the cover (2) by first hooking the back and then rotating it into place as shown above.

**Product Safety Recall**  
N222383791 Seatbelt Pretensioner Fire



6224056

22. Install the zip tie loosely in the groove of the cover, as shown above.



6224057

23. Tighten the zip tie (1) so that the head is positioned down, as shown above.

24. Trim the excess of the zip tie so it is flush with the head.

25. Install the electrical connector on the seat belt pretensioner.

# Product Safety Recall

## N222383791 Seatbelt Pretensioner Fire

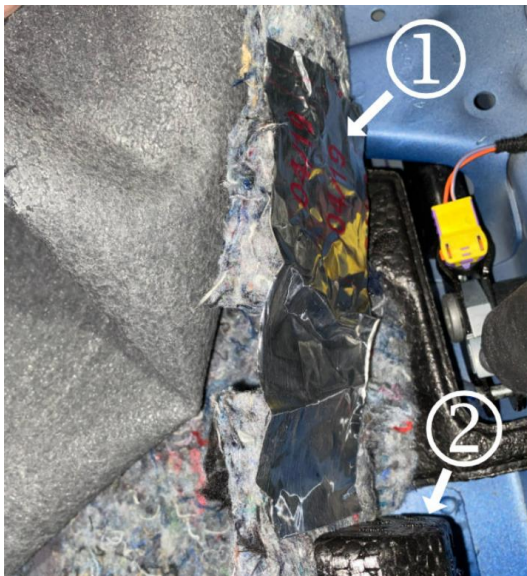


5443038

**Important:** If 2.5" width tape is not available and narrower tape must be used, use two layers of the narrower tape overlapped on top of each other to create a 2.5" wide section of material. THIS MUST BE DONE ON THE BENCH BEFORE THE MATERIAL IS INSTALLED ON THE VEHICLE. ENSURE THE LAYERS OF TAPE ARE FULLY ADHERED TO EACH OTHER WITH NO GAPS before it is installed on the vehicle.

**Note:** While handling the foil tape, leave the paper liner on the tape and peel it off as the tape is applied to the surface.

26. Prepare two 150 mm (6 in) pieces of 3-M PN 3340 foil tape of an equivalent 2.5" X 4.0 Mil aluminum foil tape meeting UL Spec 181A-P.



6219007

27. Place one of the pieces of foil tape (1) along the bottom of the insulation starting from the foam block (2) and going forward lining up with the edge of the insulation, as shown above.



## Product Safety Recall N222383791 Seatbelt Pretensioner Fire



6219020

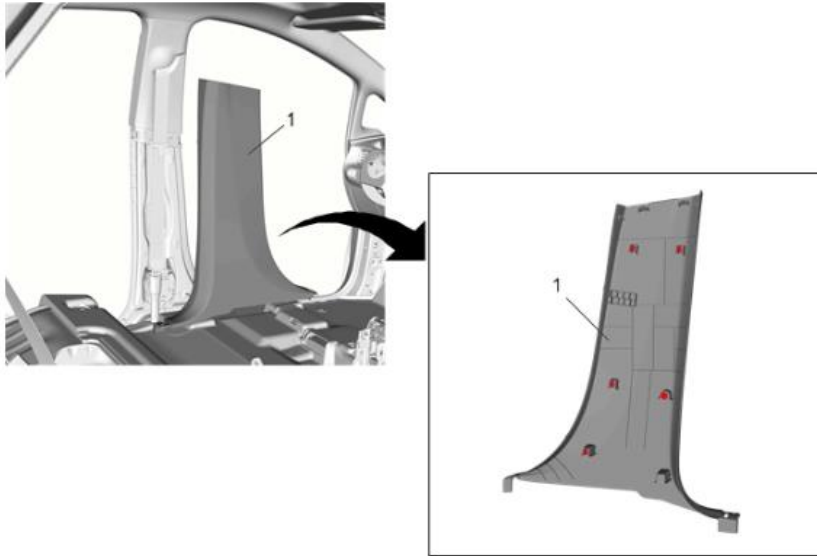
28. Place the second piece of foil tape on top of the insulation lining it up with bottom piece of tape leaving about half the width of the tape hanging off the edge of the insulation.
29. Carefully fold the tape over the edge of the insulation and ensure it fully adheres to the bottom piece of tape as shown above.



6219024

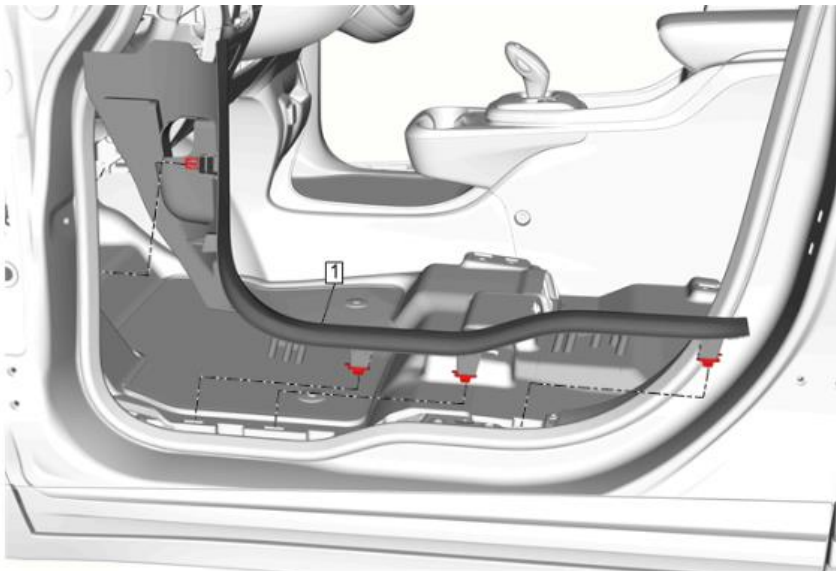
30. Cut a slit lining up with the seat belt pretensioner in both pieces of tape to allow the insulation and tape to fit around the pretensioner as shown above.
31. Reinstall the insulation into its original location.
32. Fold carpet back into place.
33. Repeat steps 18 through 32 on the driver's side of the vehicle.

**Product Safety Recall**  
N222383791 Seatbelt Pretensioner Fire



4552180

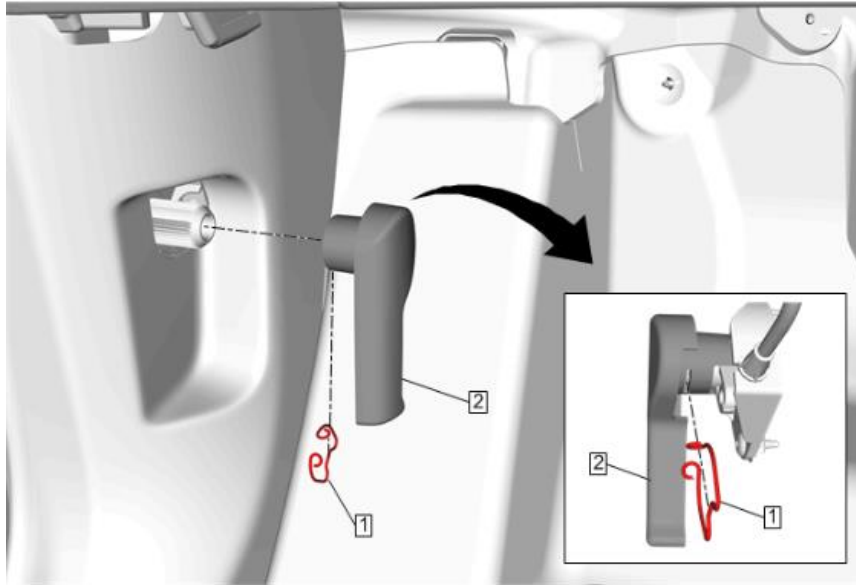
34. Install the Center Pillar Lower Trim Panel (1) on both sides of the vehicle.



4552175

35. Install the Front Side Door Sill Garnish Molding (1) on both sides of the vehicle.

**Product Safety Recall**  
N222383791 Seatbelt Pretensioner Fire



4532557

- 36. Install the Hood Primary Latch Release Cable Handle (2).
- 37. Install the clip (1).

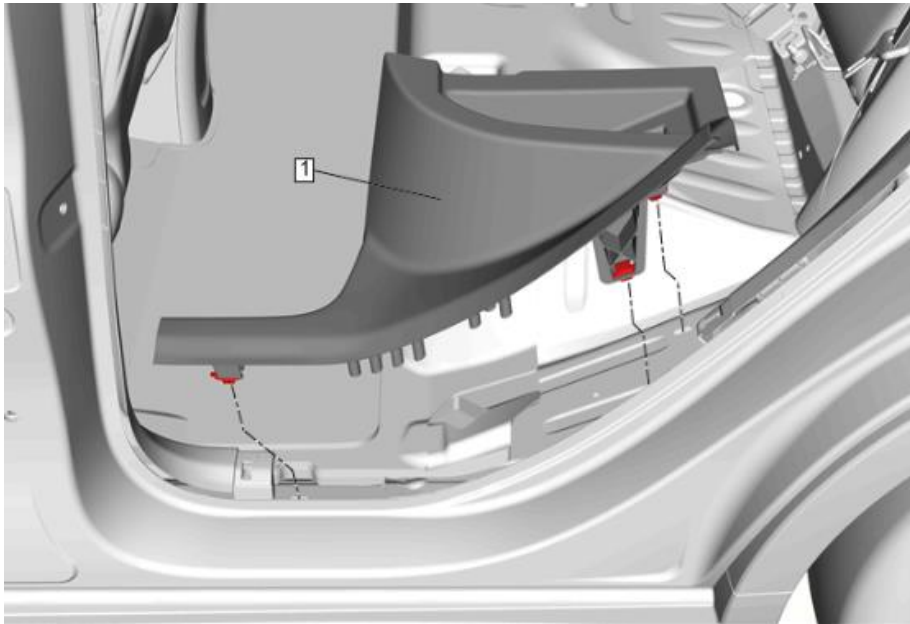


4540195

- 38. Install the Instrument Panel Outer Trim Cover – Left Side (1).
- 39. Install the Instrument Panel Outer Trim Cover – Right Side (2).

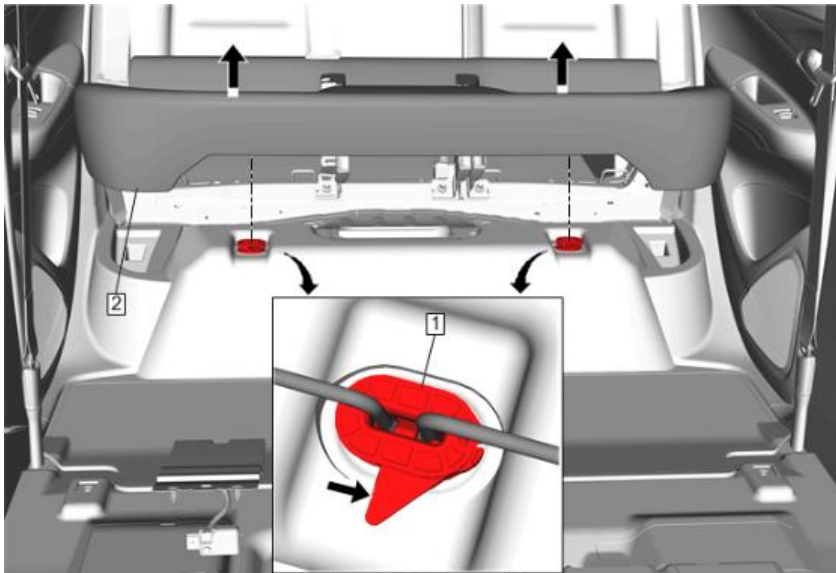
# Product Safety Recall

## N222383791 Seatbelt Pretensioner Fire



4552179

40. Install the Rear Side Door Sill Garnish Molding on both sides of the vehicle.

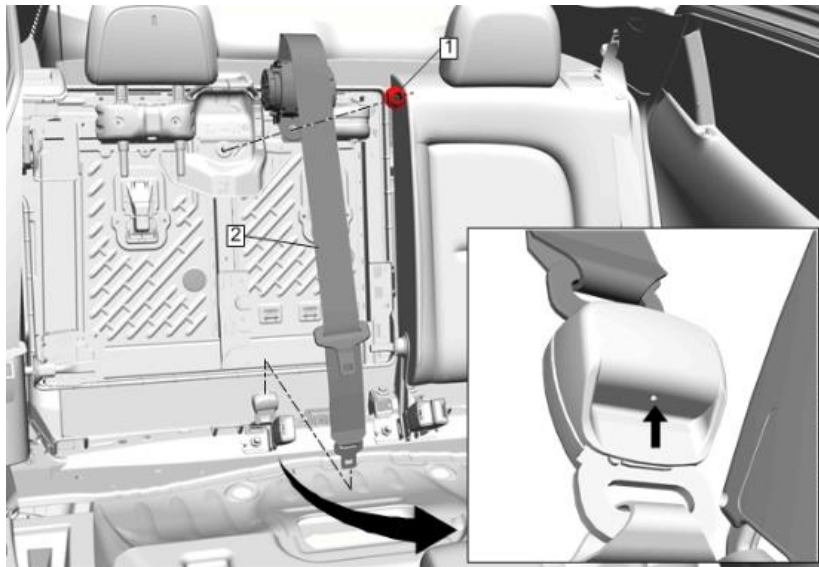


4537958

41. If equipped, connect the electrical connectors.

42. Install the Rear Seat Cushion (2).

## Product Safety Recall N222383791 Seatbelt Pretensioner Fire



4585993

43. Reinstall the mini-buckle.

### **Dealer Responsibility** – For USA & Export (USA States, Territories, and Possessions)

It is a violation of Federal law for a dealer to deliver a new motor vehicle or any new or used item of motor vehicle equipment (including a tire) covered by this notification under a sale or lease until the defect or noncompliance is remedied.

The US National Traffic and Motor Vehicle Safety Act provides that each vehicle that is subject to a recall of this type must be adequately repaired within a reasonable time after the customer has tendered it for repair. A failure to repair within sixty days after tender of a vehicle is prima facie evidence of failure to repair within a reasonable time. If the condition is not adequately repaired within a reasonable time, the customer may be entitled to an identical or reasonably equivalent vehicle at no charge or to a refund of the purchase price less a reasonable allowance for depreciation. To avoid having to provide these burdensome remedies, every effort must be made to promptly schedule an appointment with each customer and to repair their vehicle as soon as possible. In the recall notification letters, customers are told how to contact the US National Highway Traffic Safety Administration if the recall is not completed within a reasonable time.

### **Dealer Responsibility** – All

All new, used, GM Certified Used, courtesy transportation vehicles, dealer shuttle vehicles, etc. in dealers' possession and subject to this recall must be held and inspected/repaired per the service procedure of this bulletin before customers take possession of these vehicles. Involved vehicles must be held and not delivered to customers, dealer-traded, released to auction, used for demonstration, or any other purpose.

All GM Certified Used vehicles currently in the dealers' inventory within the Certified Pre-Owned Inventory System (CPOIS) will be de-certified and must be held and remedied per the service procedure in this bulletin. Upon submitting an accepted/paid warranty transaction in the Global Warranty Management (GWM) system, the vehicle can be re-certified for sale within the CPOIS system, or once again be used in the CTP program.

Dealers are to service all vehicles subject to this recall at no charge to customers, regardless of mileage, age of vehicle, or ownership, from this time forward.

Customers who have recently purchased vehicles sold from your vehicle inventory, and for which there is no customer information indicated on the dealer listing, are to be contacted by the dealer. Arrangements are to be made to make the required correction according to the instructions contained in this bulletin. A copy of the customer letter is provided in this bulletin for your use in contacting customers. Recall follow-up cards should not be used for this purpose, since the customer may not as yet have received the notification letter.

In summary, whenever a vehicle subject to this field action enters your vehicle inventory you must take the steps necessary to ensure the program correction has been made before selling the vehicle. In addition, for vehicles entering your facility for service, you are required to ensure the customer is aware of the open field action and make every reasonable effort to implement the program correction as set forth in this bulletin prior to releasing the vehicle.

# Product Safety Recall

## N222383791 Seatbelt Pretensioner Fire



### Dealer Reports – For USA & Export

For dealers with involved vehicles, a listing has been prepared and will be available through GM GlobalConnect Maxis Field Action Reports or sent directly to export dealers. The Inventory tab of the dealer reports will contain VINs that apply to this recall. This information is intended to assist dealers with the **PROMPT COMPLETION** of these vehicles. The Customer In-Service tab will contain customer names and addresses from Motor Vehicle Registration Records. The use of such motor vehicle registration data for any purpose other than follow-up necessary to complete this recall may be a violation of law in several states.

### Courtesy Transportation – For USA & Canada

Courtesy transportation is available for customers whose vehicles are involved in a product program and still within the warranty coverage period. See General Motors Service Policies and Procedures Manual for courtesy transportation program details.

### Customer Notification

USA & Canada - General Motors will notify customers of this recall on their vehicle (see copy of customer letter included with this bulletin).

Export - Letters will be sent to known owners of record located within areas covered by the US National Traffic and Motor Vehicle Safety Act. For owners outside these areas, dealers should notify customers using the attached sample letter.

---

GM bulletins are intended for use by professional technicians, NOT a "do-it-yourselfer". They are written to inform these technicians of conditions that may occur on some vehicles, or to provide information that could assist in the proper service of a vehicle. Properly trained technicians have the tools, equipment, safety instructions, and know-how to do a job properly and safely. If a condition is described, DO NOT assume that the bulletin applies to your vehicle, or that your vehicle will have that condition. See your dealer for information on whether your vehicle may benefit from the information.



**We Support  
Voluntary Technician  
Certification**



# IMPORTANT SAFETY RECALL

April 2023

This notice applies to your vehicle, VIN: \_\_\_\_\_

Dear General Motors Customer:

This notice is sent to you in accordance with the National Traffic and Motor Vehicle Safety Act.

General Motors has decided that a defect, which relates to motor vehicle safety, exists in certain 2017-2020 model year Chevrolet Bolt EV vehicles. As a result, GM is conducting a safety recall. We apologize for this inconvenience. However, we are concerned about your safety and continued satisfaction with our products.

## IMPORTANT

- Your vehicle is involved in GM safety recall N222383791.
- Schedule an appointment with your GM dealer.
- This service will be performed for you at **no charge**.

### Why is your vehicle being recalled?

In certain crashes that cause the front seatbelt pretensioners to deploy, the exhaust from the deployed pretensioner may ignite fibers in the floor carpet near the B-pillar. Following a crash that causes the seatbelt pretensioner to deploy, a fire may develop in the area near the B-pillar, which may increase the risk of injury.

### What will we do?

Your GM dealer will install metal foil at the carpet near the pretensioner exhaust. Certain vehicles will also need a pretensioner cover installed. This service will be performed for you at **no charge**. Because of service scheduling requirements, it is likely that your dealer will need your vehicle longer than the actual service correction time of approximately 1 ½ hours.

### What should you do?

You should contact your GM dealer to arrange a service appointment as soon as possible.

When scheduling your appointment, confirm with the dealer that they are an EV certified dealer.

### Do you have questions?

If you have any questions or concerns that your dealer is unable to resolve, please contact the appropriate Customer Assistance Center at the number listed below.

For the hearing or speech impaired, please contact our Customer Assistance Center using the Telecommunication Relay Service by dialing 711 then providing the appropriate Customer Assistance Center number for your vehicle.

Division	Number	Text Telephones (TTY)
Chevrolet Bolt EV/EUV	1-833-EVCHEVY (1-833-382-4389)	711 / 1-800-833-2438
Puerto Rico – English	1-866-467-9700	
Puerto Rico – Español	1-866-467-9700	
Virgin Islands	1-866-467-9700	

If after contacting your dealer and the Customer Assistance Center, you are still not satisfied we have done our best to remedy this condition without charge and within a reasonable time, you may wish to write the Administrator, National Highway Traffic Safety Administration, 1200 New Jersey Avenue, SE, Washington, DC 20590, or call the toll-free Vehicle Safety Hotline at 1.888.327.4236 (TTY 1.800.424.9153), or go to <http://www.nhtsa.gov>. The National Highway Traffic Safety Administration Campaign ID Number for this recall is 22V930.

Federal regulation requires that any vehicle lessor receiving this recall notice must forward a copy of this notice to the lessee within ten days.

**Product Safety Recall**  
N222383791 Seatbelt Pretensioner Fire



Regina A. Carto  
Vice President  
Global Product Safety and Systems

GM Recall: N222383791